

LOC	DIST	REVISIONS					
		P	LTR	DESCRIPTION	DATE	DWN	APVD
-	-		A	REVISED PER ECR-14-007823	02JUNE2014	RS	EC
			B	ECO-15-015144: ADD UL.	02NOV2015	EC	EC

**SAFETY ORGANIZATIONS**

THIS FILTER HAS BEEN FORMALLY RECOGNIZED, CERTIFIED OR APPROVED BY THE LISTED AGENCY. THEREFORE, ALL TEST/REQUIREMENTS SPECIFIED IN THE LATEST REVISION OF THE FOLLOWING AGENCY STANDARDS HAVE BEEN MET: UL.

**RELIABILITY SPECIFICATIONS**

STORAGE TEMPERATURE: -40°C TO +85°C  
 HUMIDITY: 21 DAYS @ 40°C AND 95% RH

**OPERATING SPECIFICATIONS**

LINE CURRENT/VOLTAGE: 600 A, 520 VAC  
 LINE FREQUENCY: 50-60 Hz  
 NOMINAL LEAKAGE CURRENT: 6 mA  
 MAXIMUM LEAKAGE CURRENT: 222mA @ 277V, 50HZ  
 OPERATING AMBIENT TEMPERATURE RANGE @ RATED CURRENT, I : -10°C TO +50°C

IN AN AMBIENT, T, HIGHER THAN 50°C, THE MAXIMUM OPERATING CURRENT, I, IS AS FOLLOWS:

$$I_0 = I_R \sqrt{\frac{100 - T_0}{50}}$$

**TEST SPECIFICATIONS**

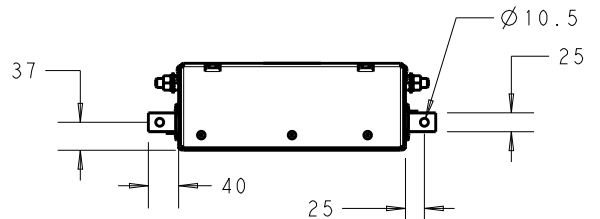
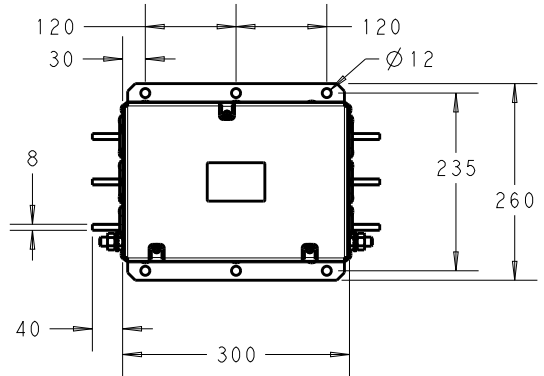
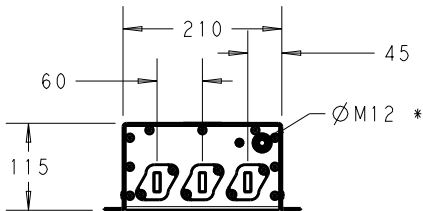
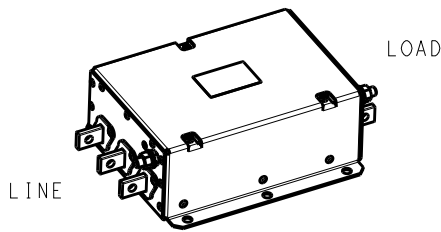
INDUCTANCE, NOMINAL: 88.7 µH  
 CAPACITANCE @ 1 kHz, 0.25 VAC MAX., 25°C ±1°C:  
 LINE TO GROUND, NOMINAL: 2.62 µF  
 LINE TO LINE, NOMINAL: 12.3 µF  
 DISCHARGE RESISTOR L/G AND L/L I.R.: 666kΩ/666kΩ  
 IR (NO DISCHARGE RESISTOR) 20°C, 50% RH AND 100VDC, MIN: 6000MΩ

**RECOMMENDED RECEIVING INSPECTION HIPOT**

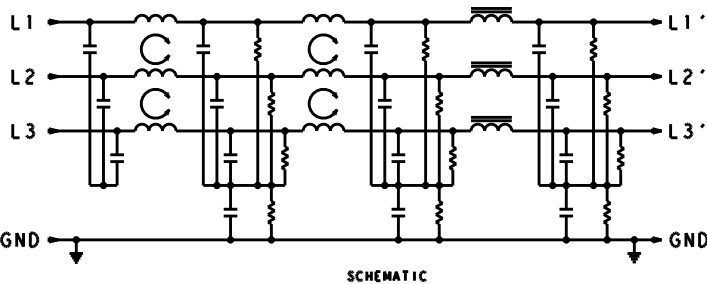
LINE TO GROUND FOR 1 MINUTE: 2200 VDC  
 LINE TO LINE FOR 1 MINUTE: 2160 VDC

**FILTER APPROVAL:**

THE BEST WAY TO SELECT AND QUALIFY A FILTER IS FOR YOUR ENGINEERING TO TEST THE UNIT IN YOUR EQUIPMENT.



\* DO NOT LOOSEN INNER GROUND NUTS. TORQUE OUTER GROUND NUTS TO: 25-30 NM [220-260 IN-LB]



TYPICAL INSERTION LOSS

	COMMON MODE 50/50 Ω; DIFFERENTIAL MODE 100/100 Ω								
MHz	0.01	0.05	0.15	0.5	1.0	3.0	5.0	10	30
CM	12	24	65	83	73.5	74	60	43	25
DM	32	44	67	83	67	53	47	39	26

20  
RELEASED FOR PUBLICATION  
ALL RIGHTS RESERVED.  
BY -  
THIS DRAWING IS UNPUBLISHED.  
COPYRIGHT 20

DIMENSIONS:	DWN	16DEC2013	MATERIAL	FINISH		
mm	RS		-	-		
TOLERANCES UNLESS OTHERWISE SPECIFIED:	CHK	16DEC2013	TE Connectivity			
	EC					
0 PLC ±2 1 PLC ±1 2 PLC ±0.5 3 PLC ±0.2 4 PLC ±0.0001 ANGLES ±-	APVD	16DEC2013	NAME 600APH12L 3-PHASE DELTA FILTER			
	EC					
	PRODUCT SPEC	-	SIZE	CAGE CODE	DRAWING NO	RESTRICTED TO
	APPLICATION SPEC	-	A4	00779	C-8-1609148-4	-
	WEIGHT	-	Customer Drawing		SCALE	1:1
					SHEET	1 OF 1
					REV	B