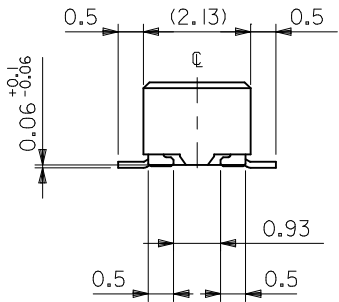
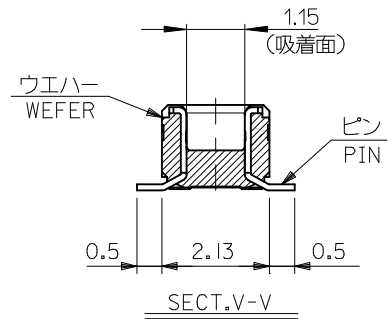


注記 NOTES:

1. 使用材料 MATERIAL  
 ウェハー: 液晶ポリマー (LCP) ガラス充填 UL94V-0 (黒)  
 WAFER: LIQUID CRYSTAL POLYMER (GLASS FILLED)  
 UL94V-0 (COLOR: BLACK)  
 ピン: 黄銅 (t=0.12)  
 PIN: BRASS (t=0.12)  
 金具: リン青銅 (t=0.2)  
 FITTING NAIL: PHOSPHOR BRONZE (t=0.2)
2. メッキ仕様 PLATING  
 ピン PIN  
 金メッキ 0.2 マイクロメートル以上 (コンタクト部)  
 GOLD 0.2MICROMETER MINIMUM (CONTACT AREA)  
 金メッキ 0.4 マイクロメートル以下 (テール部)  
 GOLD 0.4MICROMETER MAXIMUM (TAIL AREA)  
 下地メッキ: ニッケルメッキ 1.5 マイクロメートル以上  
 UNDER PLATING: NICKEL 1.5MICROMETER MINIMUM  
 金具 FITTING NAIL  
 錫メッキ 1.0 マイクロメートル以上  
 TIN PLATING 1.0MICROMETER MINIMUM  
 下地メッキ: ニッケルメッキ 1.0 マイクロメートル以上  
 UNDER PLATING: NICKEL 1.0MICROMETER MINIMUM

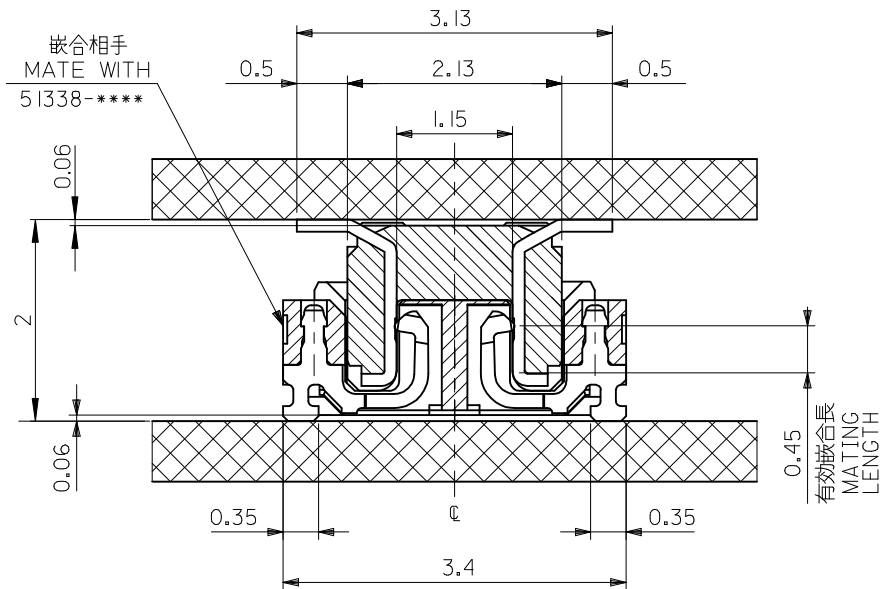
3. (全極数/2) = 偶数の場合に適用。  
 APPLY FOR (CIRCUIT/2)=EVEN.
4. 嵌合相手: 51338シリーズ, 500913シリーズ  
 MATE WITH: 51338 SERIES, 500913SERIES.
5. テール平坦度は、0.08以下  
 テール及び金具の平坦度は、0.1以下  
 TAIL COPLANARITY TO BE 0.08MAXIMUM  
 TAIL AND FITTING NAIL  
 COPLANARITY TO BE 0.1 MAXIMUM
6. ELV 及び RoHS 適合品  
 ELV AND RoHS COMPLIANT.



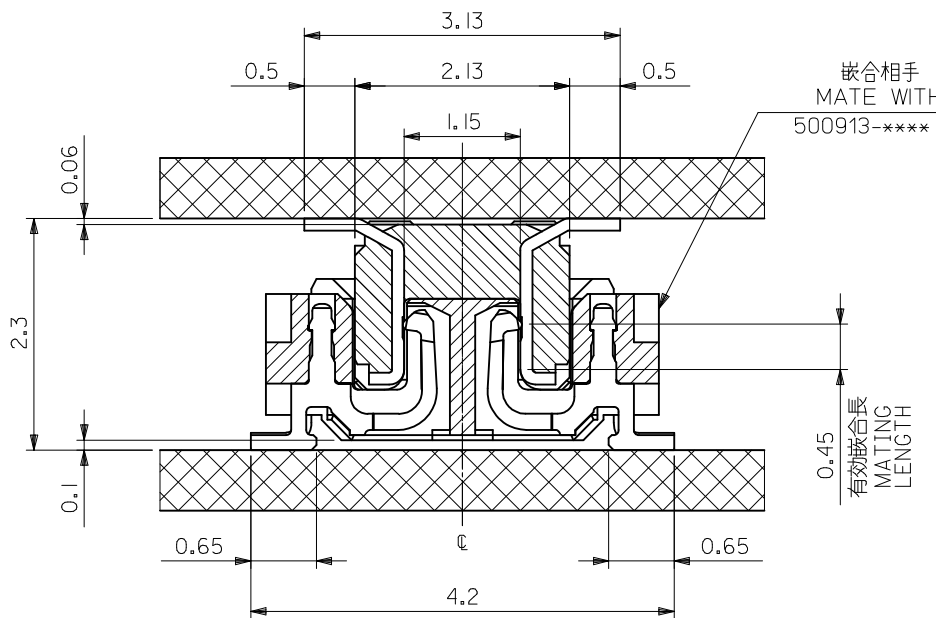
-	O	17.2	15.6	18.0	501745-0801	80
O	O	15.2	13.6	16.0	501745-0701	70
O	O	13.2	11.6	14.0	501745-0601	60
-	O	12.0	10.4	12.8	501745-0541	54
O	O	11.2	9.6	12.0	501745-0501	50
O	O	9.2	7.6	10.0	501745-0401	40
-	O	8.0	6.4	8.8	501745-0341	34
O	O	7.2	5.6	8.0	501745-0301	30
-	O	3.6	2.0	4.4	501745-9901	12
2.3	2.0	C		B	A	EMBOSSED PACKAGE
MATED HEIGHT		C		B	A	ORDER NO. オーダー番号
CONNECTOR SERIES No.						501745-***0
DESIGN UNITS						THIRD ANGLE PROJECTION

REVISED EC NO: J2015-0594 DRWN: YSAITO06 CHKD: TASAKAWA APPR: KMORIKAWA	2014/10/31 2014/11/05 2014/11/06	GENERAL TOLERANCES (UNLESS SPECIFIED)		DIMENSION STYLE MM ONLY		SCALE ---	DESIGN UNITS METRIC	CONNECTOR SERIES No. 501745-***0		
		10 UNDER	±0.2	DRAWN BY K. SAITO		DATE 2007/03/01	TITLE 0.4 B-TO-B CONN. PLUG ASSY (HGT=2/2.3) WITH NAIL			
		10 OVER 30 UNDER	±0.25	CHECKED BY K. KASAHARA		DATE 2007/03/01				
		30 OVER	±0.3	APPROVED BY N. UKITA		DATE 2007/03/01				
ANGULAR	±3 °	DRAFT WHERE APPLICABLE MUST REMAIN WITHIN DIMENSIONS		MATERIAL NO. SEE CHART		DOCUMENT NO. SD-501745-001		SHEET NO. 1 OF 2		
G	REV	THIS DRAWING CONTAINS INFORMATION THAT IS PROPRIETARY TO MOLEX INCORPORATED AND SHOULD NOT BE USED WITHOUT WRITTEN PERMISSION								

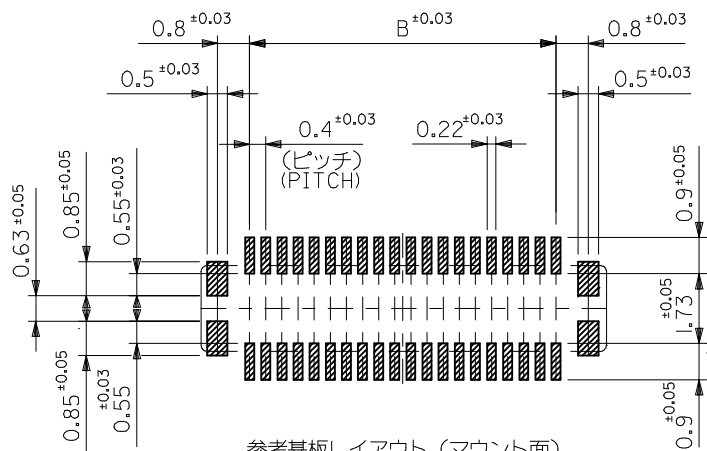
10 9 8 7 6 5 4 3 2 1



嵌合断面図 (参考)  
MATED DRAWING (REFERENCE)



嵌合断面図 (参考)  
MATED DRAWING (REFERENCE)



参考基板レイアウト (マウント面)  
P.C.BOARD PATTERN DIMENSION.  
(REFERENCE)  
(MOUNTING AREA)

REVISED	EC NO: J2015-0594	2014/10/31
	DRWN: YSATO06	2014/11/05
	CHKD: TASAKAWA	2014/11/06
	APPR: KMORIKAWA	
REV	DESCRIPTION	

GENERAL TOLERANCES (UNLESS SPECIFIED)	
10 UNDER	±0.2
10 OVER 30 UNDER	±0.25
30 OVER	±0.3
ANGULAR ±3 °	
DRAFT WHERE APPLICABLE MUST REMAIN WITHIN DIMENSIONS	

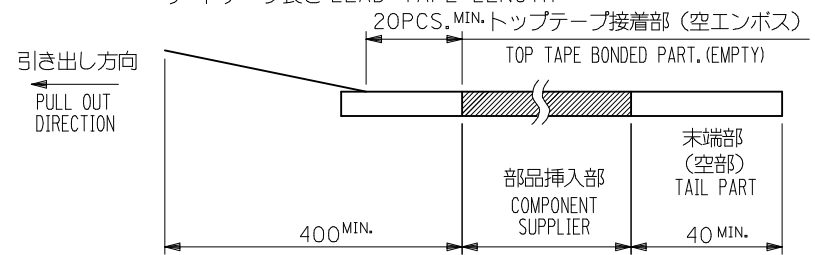
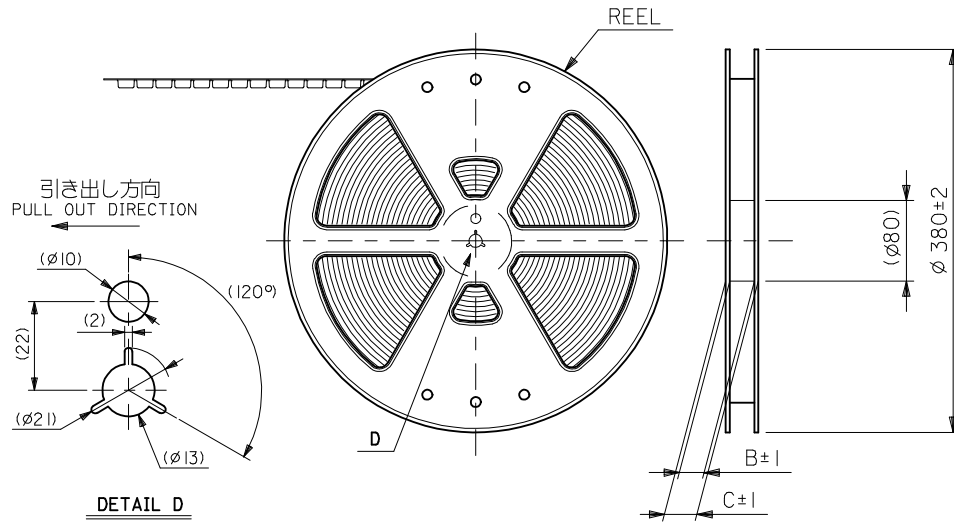
DIMENSION STYLE	
MM ONLY	
DRAWN BY	DATE
K. SAITO	2007/03/01
CHECKED BY	DATE
K. KASAHARA	2007/03/01
APPROVED BY	DATE
N. UKITA	2007/03/01
MATERIAL NO.	
SEE CHART 1	
SIZE	
A3	

CONNECTOR SERIES No.		501745-***0
SCALE	DESIGN UNITS	THIRD ANGLE PROJECTION
---	METRIC	
TITLE		
0.4 B-TO-B CONN. PLUG ASSY (HGT=2/2.3) WITH NAIL		
DOCUMENT NO.		SHEET NO.
SD-501745-001		2 OF 2
THIS DRAWING CONTAINS INFORMATION THAT IS PROPRIETARY TO MOLEX INCORPORATED AND SHOULD NOT BE USED WITHOUT WRITTEN PERMISSION		

9 8 7 6 5 4 3 2

NOTES

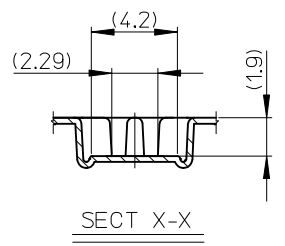
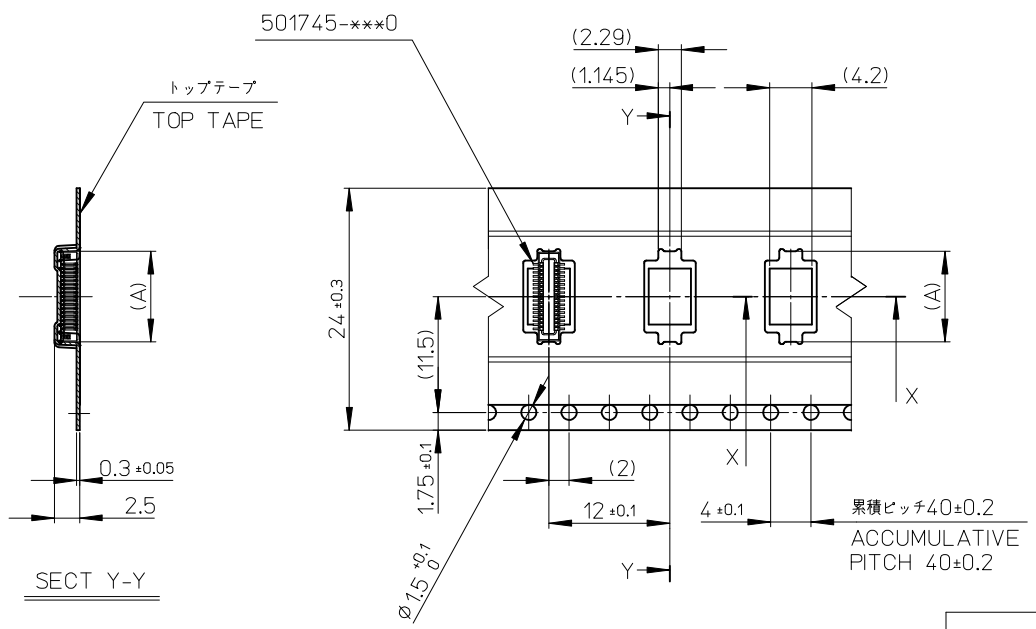
- 製品詳細寸法については製品単体図面を参照下さい。  
RE DETAILED DIMENSION, SEE PRODUCT DRAWING.
- 梱包数量：2500個/リール  
NUMBER OF CONNECTORS : 2500PCS/REEL
- リードテープ長さ LEAD TAPE LENGTH



- 材料 MATERIAL  
キャリアテープ (CARRIER TAPE) : ホリスチレン (POLYSTYRENE) (30-80CKT)  
ポリプロピレン (POLYPROPYLENE) (12CKT)  
トップテープ (TOP TAPE) : PET, PE, PEF  
リール (REEL) : ホリスチレン (PS) <リサイクル材を含む>  
POLYSTYRENE (PS) <RECYCLE MATERIAL CONTAINED>
- ELV 及び RoHS 適合品  
ELV AND RoHS COMPLIANT.

REVISED EC NO: J2014-1234 DRWN: YSATO06 CHKD: TASAKAWA APPR: KMORIKAWA	2014/02/05 2014/05/09 2014/05/12	GENERAL TOLERANCES (UNLESS SPECIFIED)		DIMENSION STYLE MM ONLY		SCALE ---	DESIGN UNITS METRIC	THIRD ANGLE PROJECTION		
		10 UNDER	±0.2	DRAWN BY K. SAITO	DATE 2007/03/01	TITLE 0.4 B/B CONN. PLUG ASSY (HGT=2/2.3) EMBSTP PKG				
		10 OVER 30 UNDER	±0.25	CHECKED BY K. KASAHARA	DATE 2007/03/01					
		30 OVER	±0.3	APPROVED BY N. UKITA	DATE 2007/03/01					
ANGULAR ±3 °		DRAFT WHERE APPLICABLE MUST REMAIN WITHIN DIMENSIONS		MATERIAL NO. SEE CHART		DOCUMENT NO. SD-501745-002		SHEET NO. 1 OF 4		
				THIS DRAWING CONTAINS INFORMATION THAT IS PROPRIETARY TO MOLEX INCORPORATED AND SHOULD NOT BE USED WITHOUT WRITTEN PERMISSION						

引き出し方向  
PULL OUT  
DIRECTION

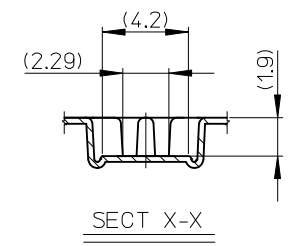
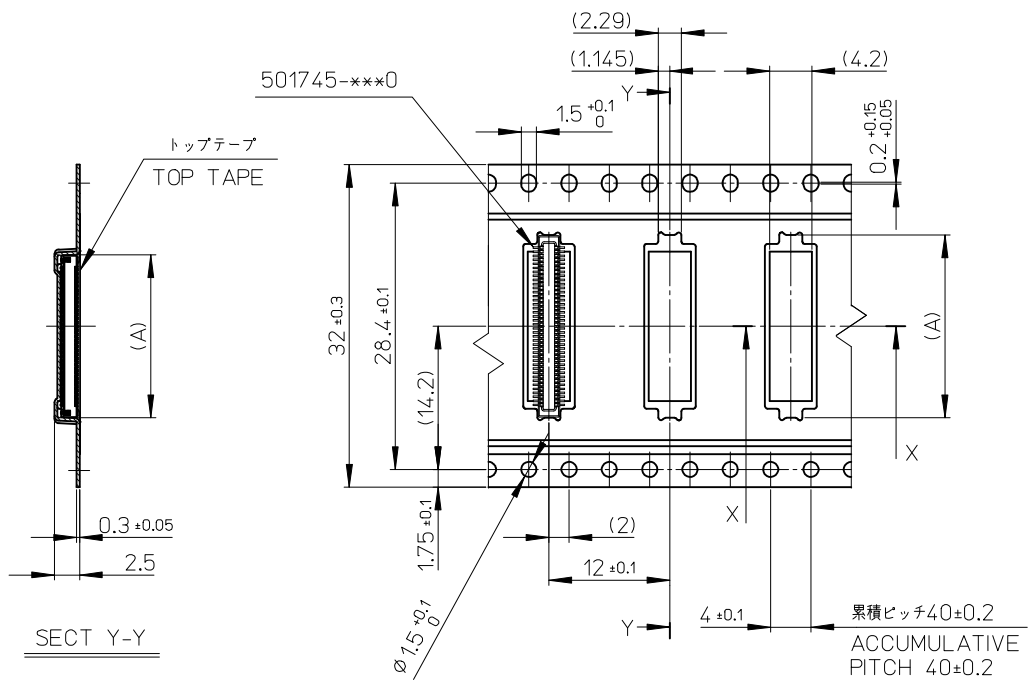


SECT Y-Y

24	29.4	25.4	14.16	501745-0601	60
			12.96	501745-0541	54
			12.16	501745-0501	50
			10.16	501745-0401	40
			8.96	501745-0341	34
			8.16	501745-0301	30
キャリアテープ幅 CARRIER TAPE WIDTH	C	B	(A)	オーダー番号 ORDER NO.	極数 CKT.

REVISED EC NO: J2014-1234 DRWN: YSAI006 CHKD: TASAKAWA APPR: KMORIKAWA 2014/02/05 2014/05/09 2014/05/12	GENERAL TOLERANCES (UNLESS SPECIFIED)	DIMENSION STYLE MM ONLY	SCALE ---	DESIGN UNITS METRIC	CONNECTOR SERIES No.   501745-***0 THIRD ANGLE PROJECTION	
	10 UNDER ± 0.2 10 OVER 30 UNDER ± 0.25 30 OVER ± 0.3	DRAWN BY DATE K. SAITO 2007/03/01	TITLE 0.4 B/B CONN. PLUG ASSY (HGT=2/2.3) EMBSTP PKG			
	ANGULAR ± 3 ° DRAFT WHERE APPLICABLE MUST REMAIN WITHIN DIMENSIONS	CHECKED BY DATE K. KASAHARA 2007/03/01	molex			
		APPROVED BY DATE N. UKITA 2007/03/01	MATERIAL NO. SEE CHART	DOCUMENT NO. SD-501745-002	SHEET NO. 2 OF 4	

引き出し方向  
PULL OUT  
DIRECTION

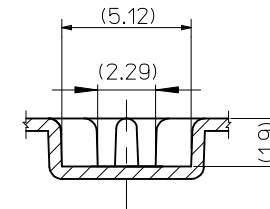
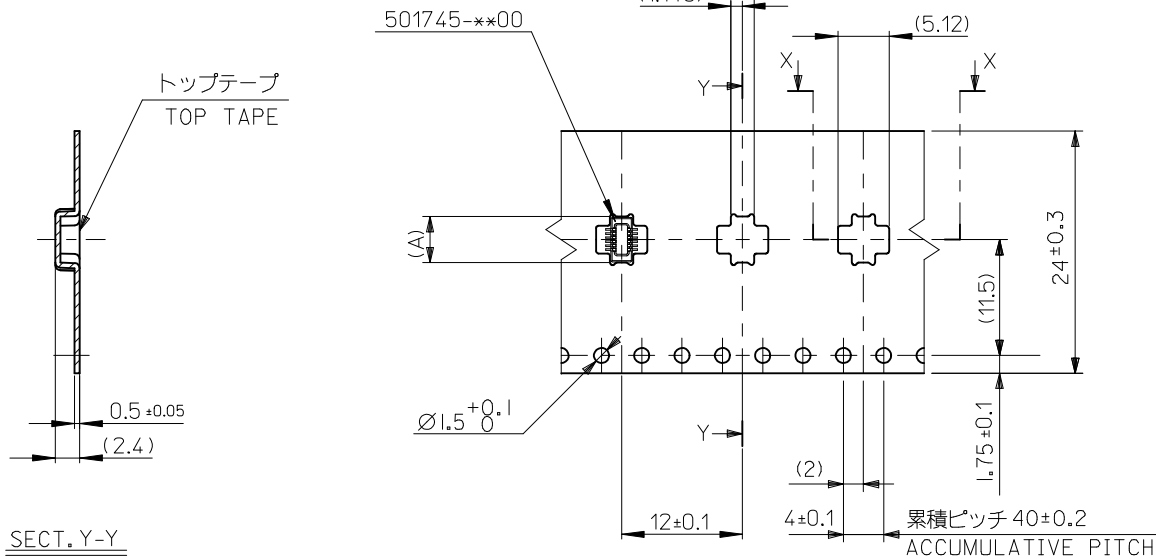


32	37.4	33.4	18.16	501745-0801	80
			16.16	501745-0701	70
キャリアテープ幅 CARRIER TAPE WIDTH	C	B	(A)	オーダー番号 ORDER NO.	極数 CKT.

CONNECTOR SERIES No. | 501745-\*\*\*0

REVISED EC NO: J2014-1234 DRWN: YSAI006 CHKD: TASAKAWA APPR: KMORIKAWA 2014/02/05 2014/05/09 2014/05/12	GENERAL TOLERANCES (UNLESS SPECIFIED)		DIMENSION STYLE MM ONLY		SCALE ---	DESIGN UNITS METRIC		THIRD ANGLE PROJECTION	
	10 UNDER	± 0.2	DRAWN BY K. SAITO	DATE 2007/03/01	TITLE 0.4 B/B CONN. PLUG ASSY (HGT=2/2.3) EMBSTP PKG				
	10 OVER 30 UNDER	± 0.25	CHECKED BY K. KASAHARA	DATE 2007/03/01	<b>molex</b> DOCUMENT NO. SD-501745-002 SHEET NO. 3 OF 4				
	30 OVER	± 0.3	APPROVED BY N. UKITA	DATE 2007/03/01					
ANGULAR ± 3 °	DRAFT WHERE APPLICABLE MUST REMAIN WITHIN DIMENSIONS		MATERIAL NO. SEE CHART		THIS DRAWING CONTAINS INFORMATION THAT IS PROPRIETARY TO MOLEX INCORPORATED AND SHOULD NOT BE USED WITHOUT WRITTEN PERMISSION				

引き出し方向  
PULL OUT DIRECTION



SECT. X-X

注記) 製品がポケット内に問題なく収まること。  
NOTE. Pocket should contain product smoothly.

24	29.4	25.4	4.56	501745-9901	12
キャリアテープ幅 CARRIER TAPE WIDTH	C	B	(A)	オーダー番号 ORDER NO.	極数 CKT.

CONNECTOR SERIES No. | 501745-\*\*\*0

REVISED EC NO: J2014-1234 DRWN: YSATO06 CHKD: TASAKAWA APPR: KMORIKAWA 2014/02/05 2014/05/09 2014/05/12	GENERAL TOLERANCES (UNLESS SPECIFIED)		DIMENSION STYLE MM ONLY	SCALE 1:1	DESIGN UNITS METRIC	THIRD ANGLE PROJECTION
	10 UNDER	± 0.2	DRAWN BY KTOYODA	DATE 2011/03/22	TITLE 0.4 B/B CONN. PLUG ASSY (HGT=2/2.3) EMBSTP PKG	
	10 OVER 30 UNDER	± 0.25	CHECKED BY	DATE	<b>molex</b> DOCUMENT NO. SD-501745-002 SHEET NO. 4 OF 4	
	30 OVER	± 0.3	APPROVED BY MSASAO	DATE 2011/03/28		
ANGULAR ± 1 °	DRAFT WHERE APPLICABLE MUST REMAIN WITHIN DIMENSIONS		MATERIAL NO.	SEE CHART		
REV	DESCRIPTION		SIZE A3	THIS DRAWING CONTAINS INFORMATION THAT IS PROPRIETARY TO MOLEX INCORPORATED AND SHOULD NOT BE USED WITHOUT WRITTEN PERMISSION		