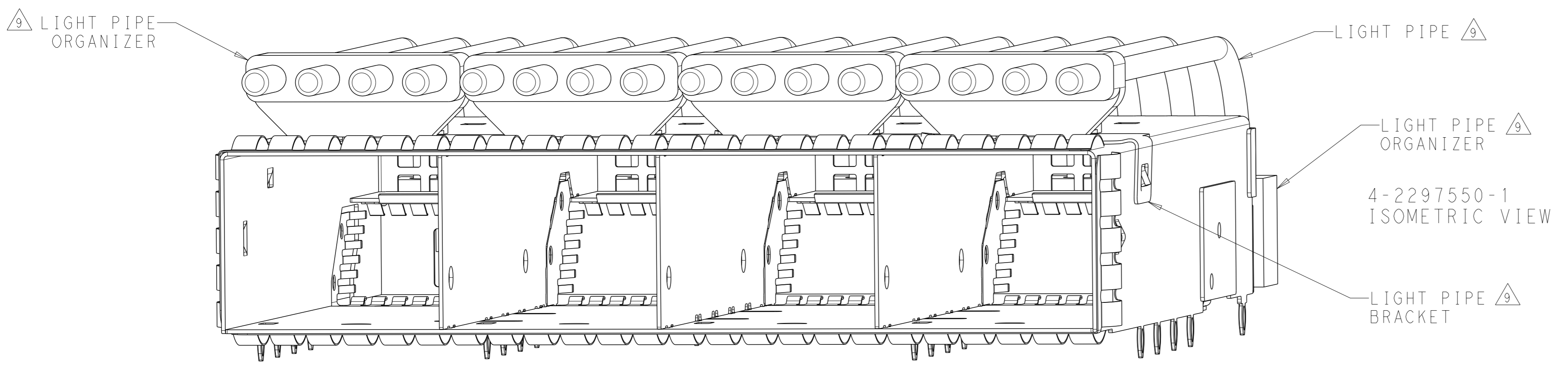
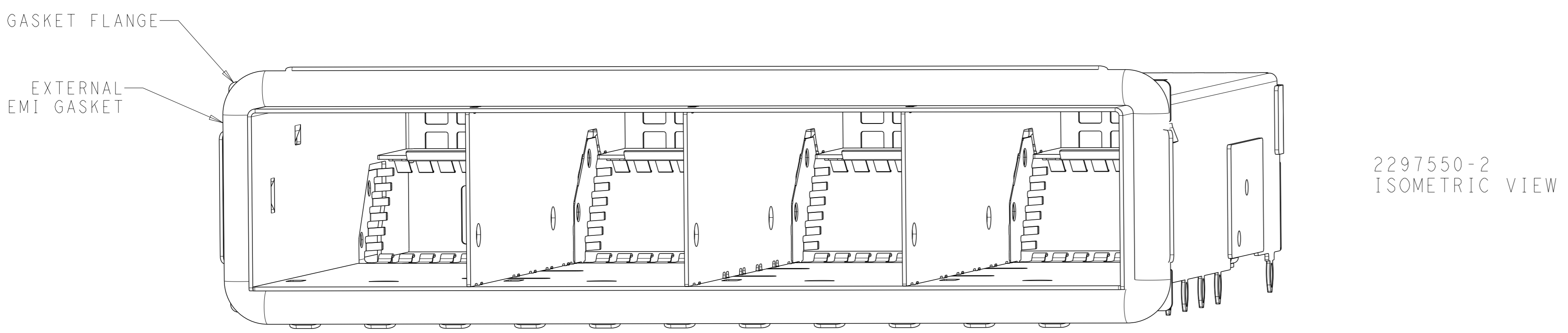
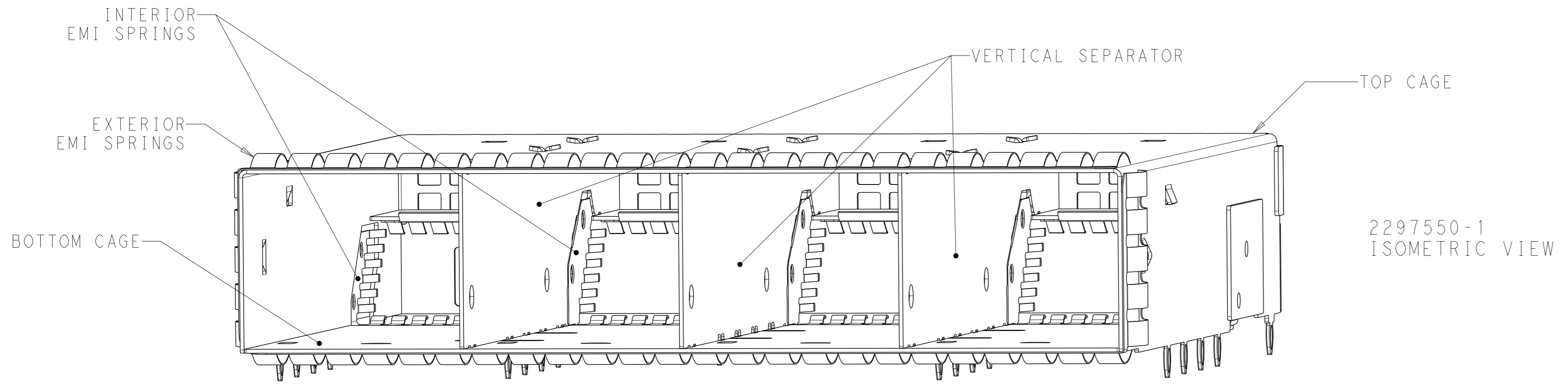
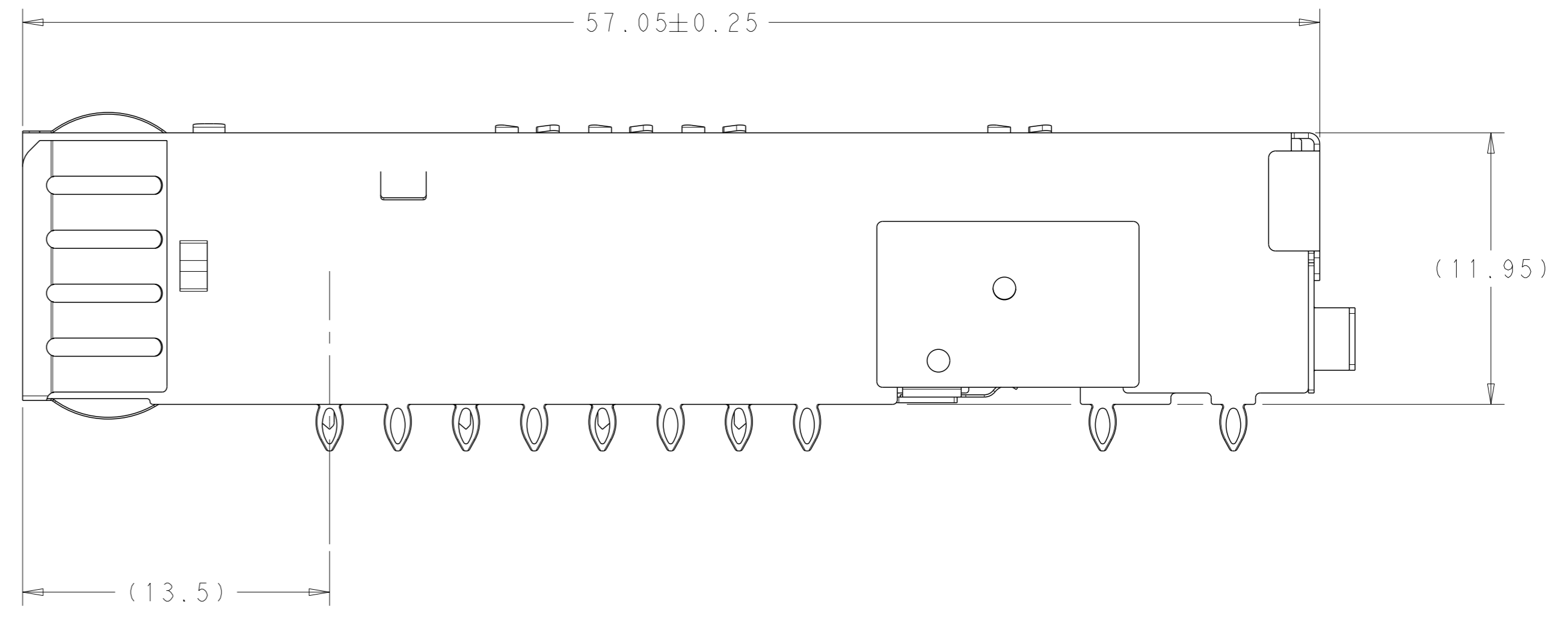
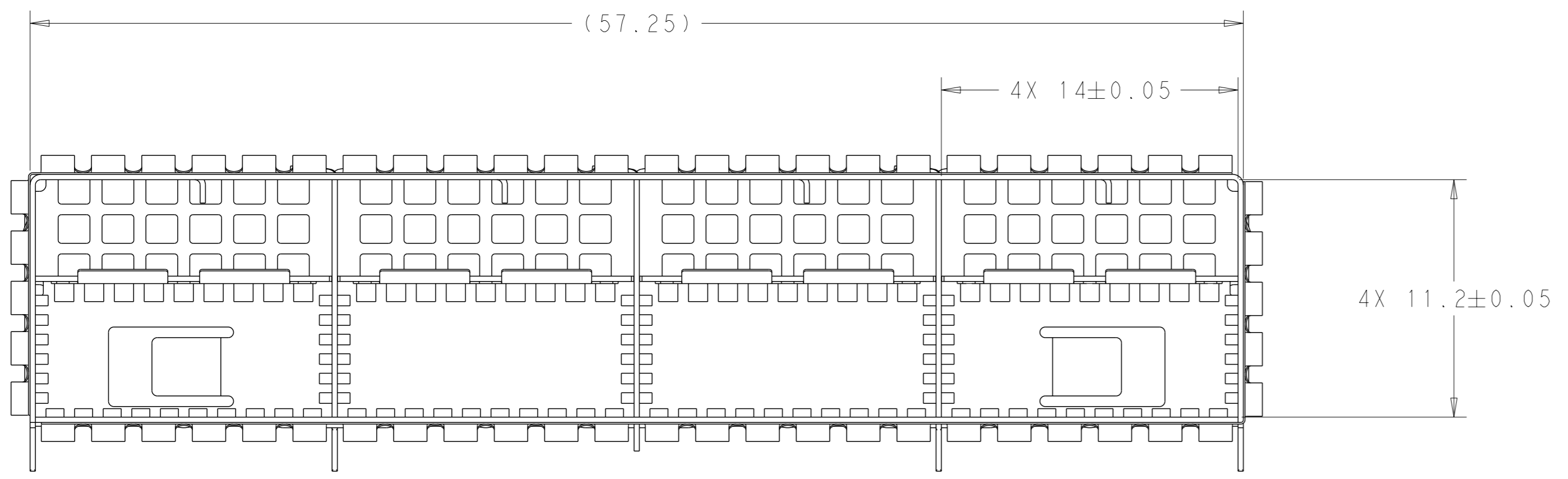


REVISIONS				
P	LT#	DESCRIPTION	DATE	OWN APVD
A		REVISED PER ECO-17-013049	05OCT2017	A.P E.B



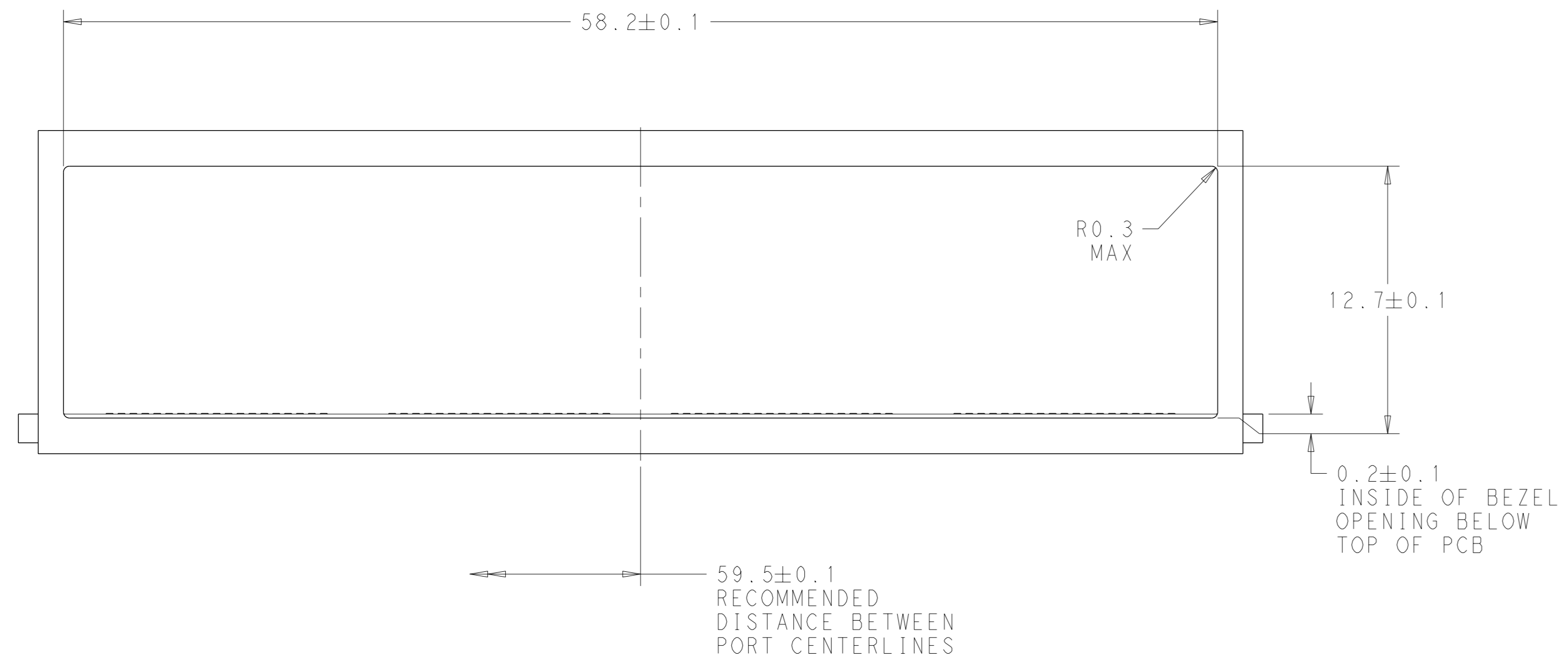
1. MATERIALS:
 TOP AND BOTTOM CAGE - STAINLESS STEEL
 VERTICAL SEPARATORS - STAINLESS STEEL
 GASKET FLANGE - STAINLESS STEEL
 EMI SPRINGS - COPPER ALLOY
 EXTERNAL EMI GASKET - NICKEL CARBON
 LIGHT PIPES - CLEAR POLYCARBONATE
 LIGHT PIPE ORGANIZERS - POLYCARBONATE
 LIGHT PIPE BRACKET - STAINLESS STEEL
2. FOR HOLE SIZE AND PLATINGS SEE APPLICATION SPEC 114-32151.
3. NOTE REMOVED.
4. LED PLACEMENT AREA FOR 4 LIGHT PIPE DASH NUMBERS.
5. LED PLACEMENT AREA FOR 2 LIGHT PIPE DASH NUMBERS.
6. LED PLACEMENT AREA FOR 1 LIGHT PIPE DASH NUMBERS.
7. COMPONENT KEEPOUT AND SURFACE TRACE KEEPOUT (EXCEPT CHASSIS GROUND).
8. COMPONENT KEEPOUT.
9. LIGHT PIPE ASSEMBLY SHOWN ASSEMBLED TO CAGE ASSEMBLY FOR REFERENCE. LIGHT PIPE ASSEMBLY IS SHIPPED UNASSEMBLED TO CAGE ASSEMBLY.

4	GASKET	4-2297550-2
4	SPRING	4-2297550-1
2	GASKET	2-2297550-2
2	SPRING	2-2297550-1
1	GASKET	1-2297550-2
1	SPRING	1-2297550-1
0	GASKET	2297550-2
0	SPRING	2297550-1
LIGHT PIPES PER PORT		PART NUMBER
EXTERNAL EMI SHIELDING		

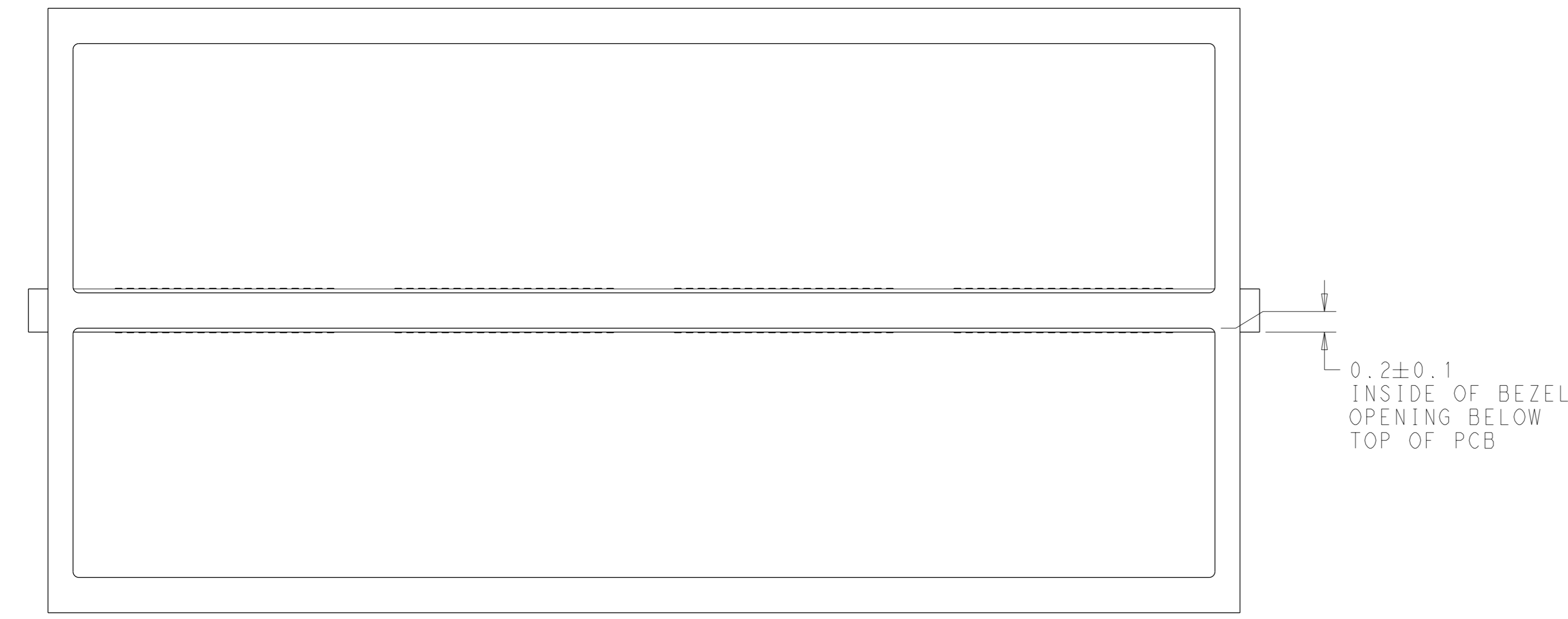
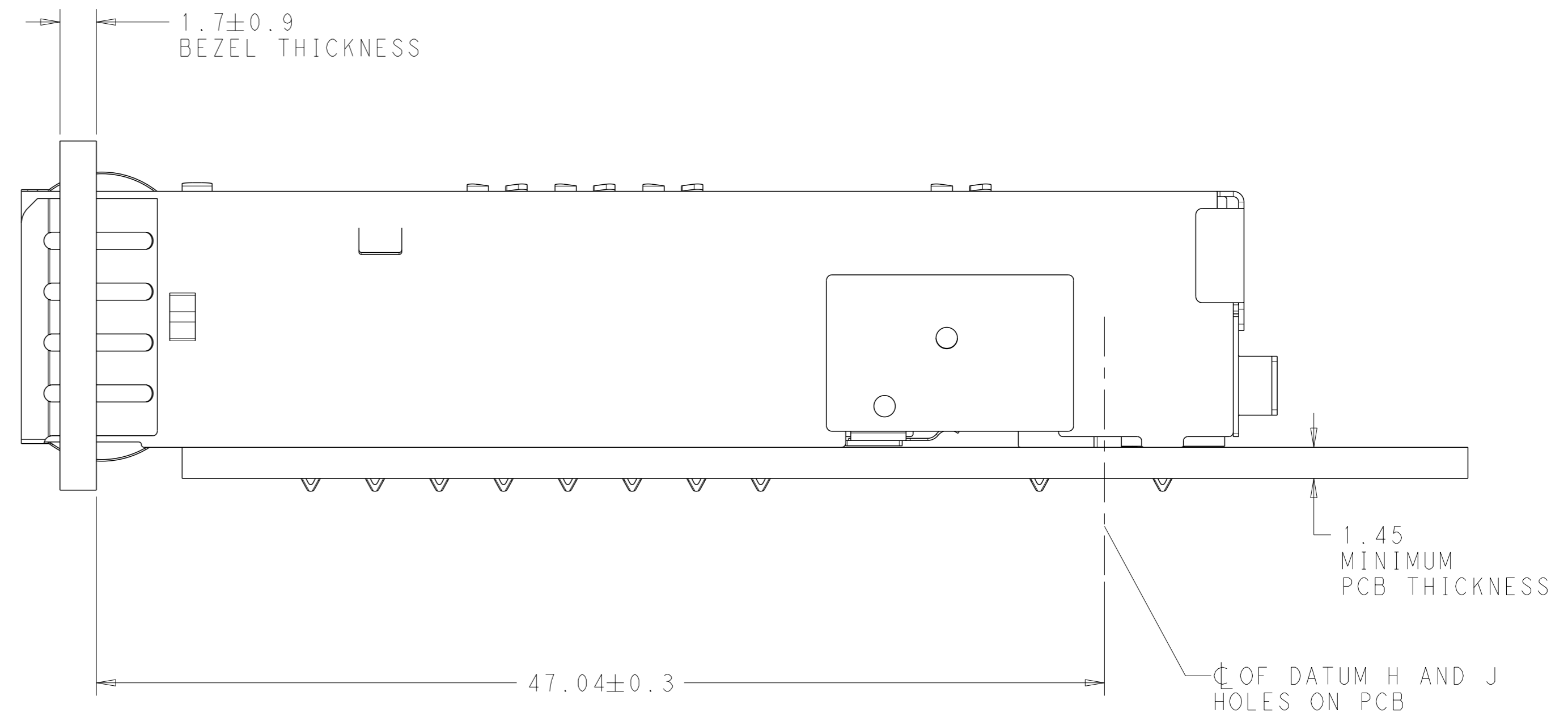
THIS DRAWING IS A CONTROLLED DOCUMENT.

OWN: C. VALENTINE	2 JAN 2016	TE Connectivity NAME: CAGE ASSEMBLY, 1X4, microQSFP PRODUCT SPEC: 108-32129 APPLICATION SPEC: 114-32151
CHK: E. BRIANT	12 JAN 2016	
APVD: E. BRIANT	12 JAN 2016	
MATERIAL: -		
DIMENSIONS: mm		SIZE: A1
TOLERANCES UNLESS OTHERWISE SPECIFIED:		SCALE: 5:1
0 PLC ±		SHEET 1 OF 6
1 PLC ±		REV A
2 PLC ±		
3 PLC ±		
4 PLC ±		
ANGLES ±1*		
FINISH: -		
WEIGHT: -		
CUSTOMER DRAWING		

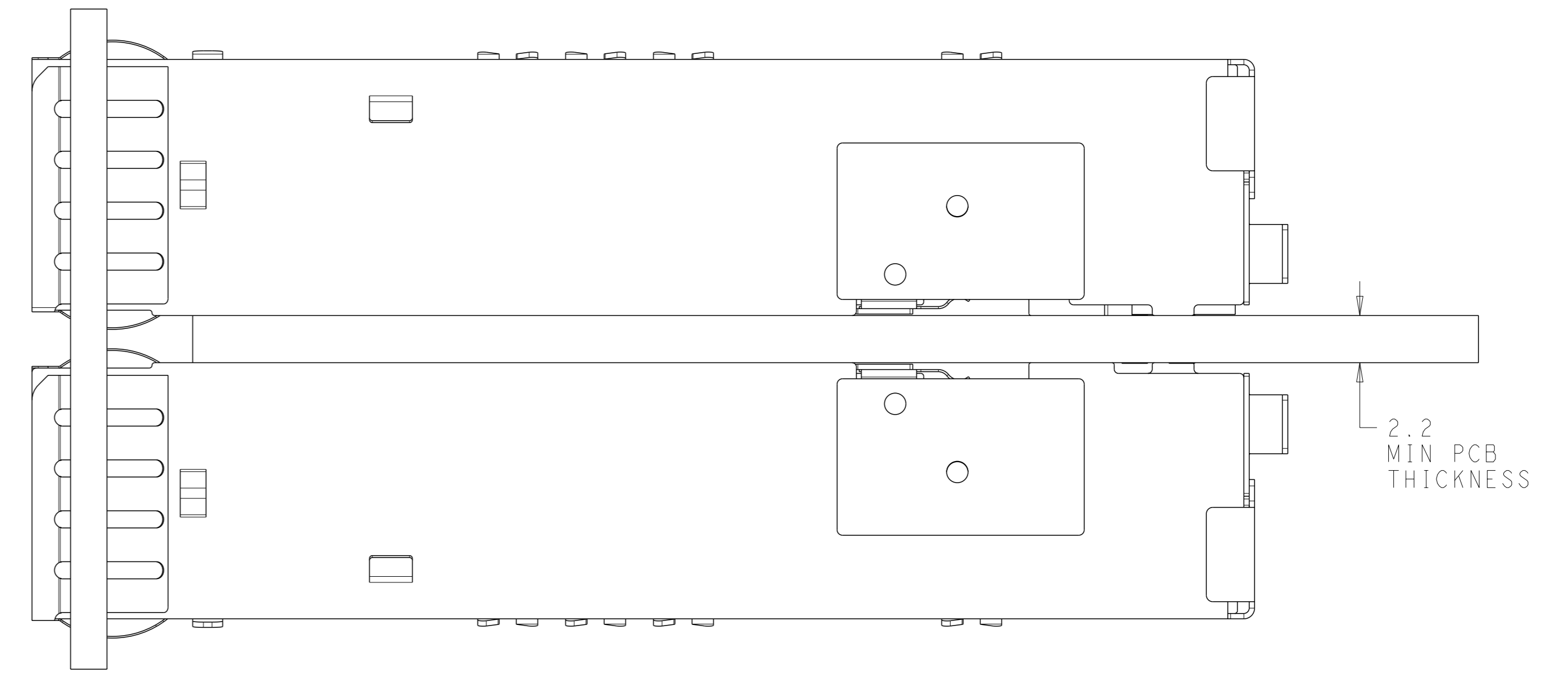
REVISIONS				
#	DATE	DESCRIPTION	DATE	APPROV
-	-	SEE SHEET 1	-	-



2297550-1
 SINGLE SIDED
 PCB AND BEZEL LAYOUT

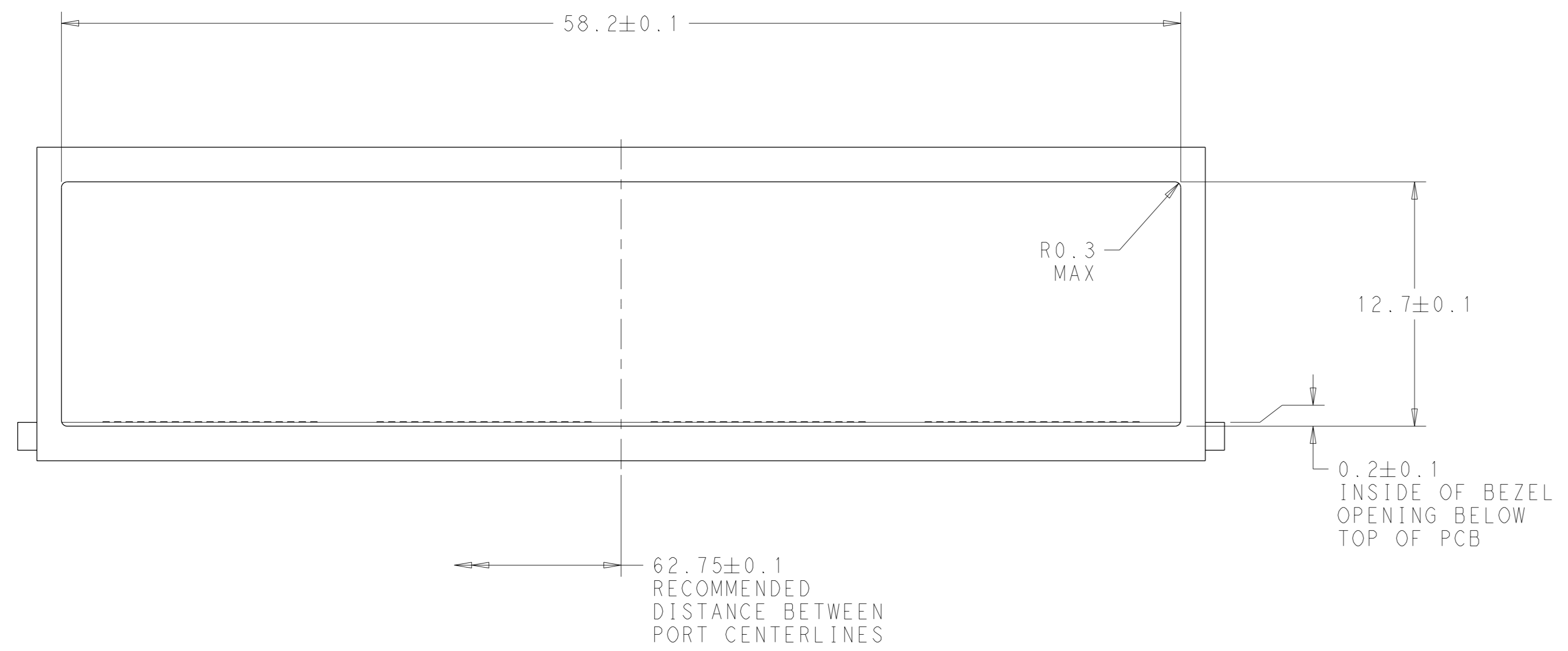


2297550-1
 BELLY TO BELLY
 SAME AS SINGLE SIDED
 EXCEPT WHERE NOTED
 PCB AND BEZEL LAYOUT

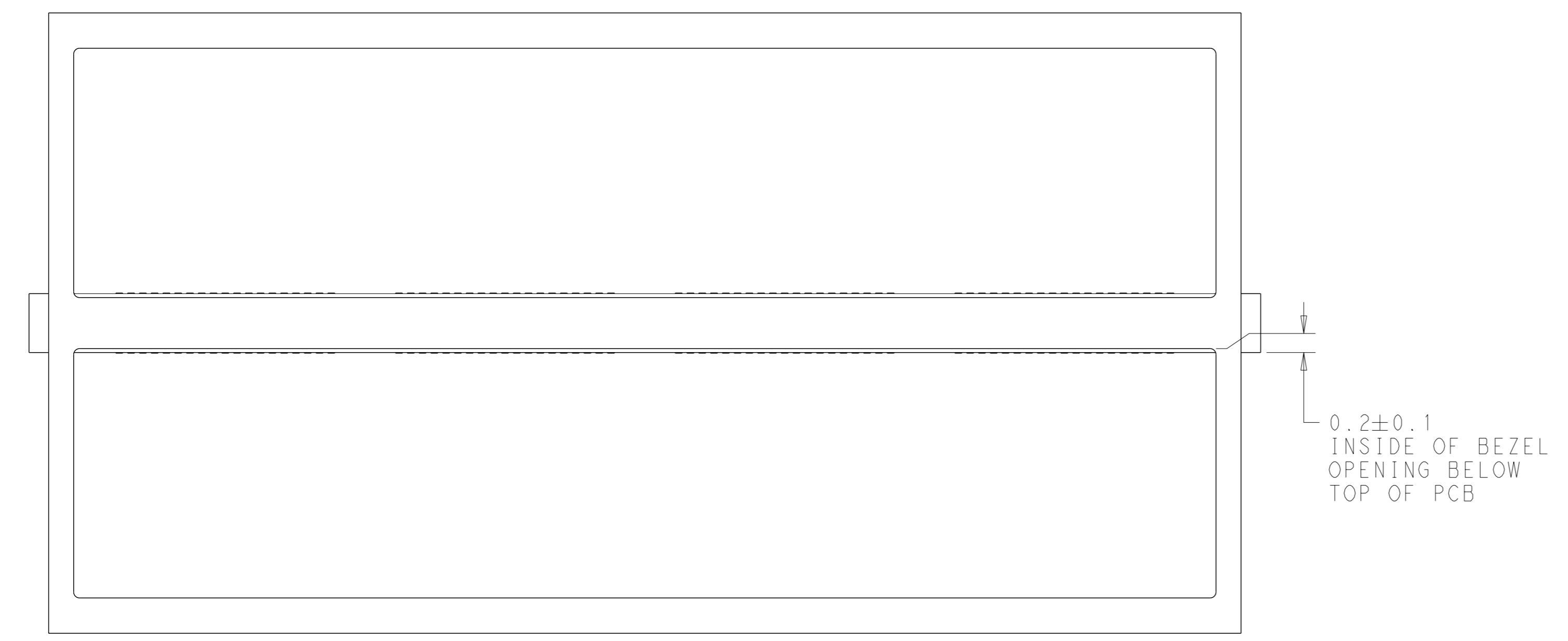
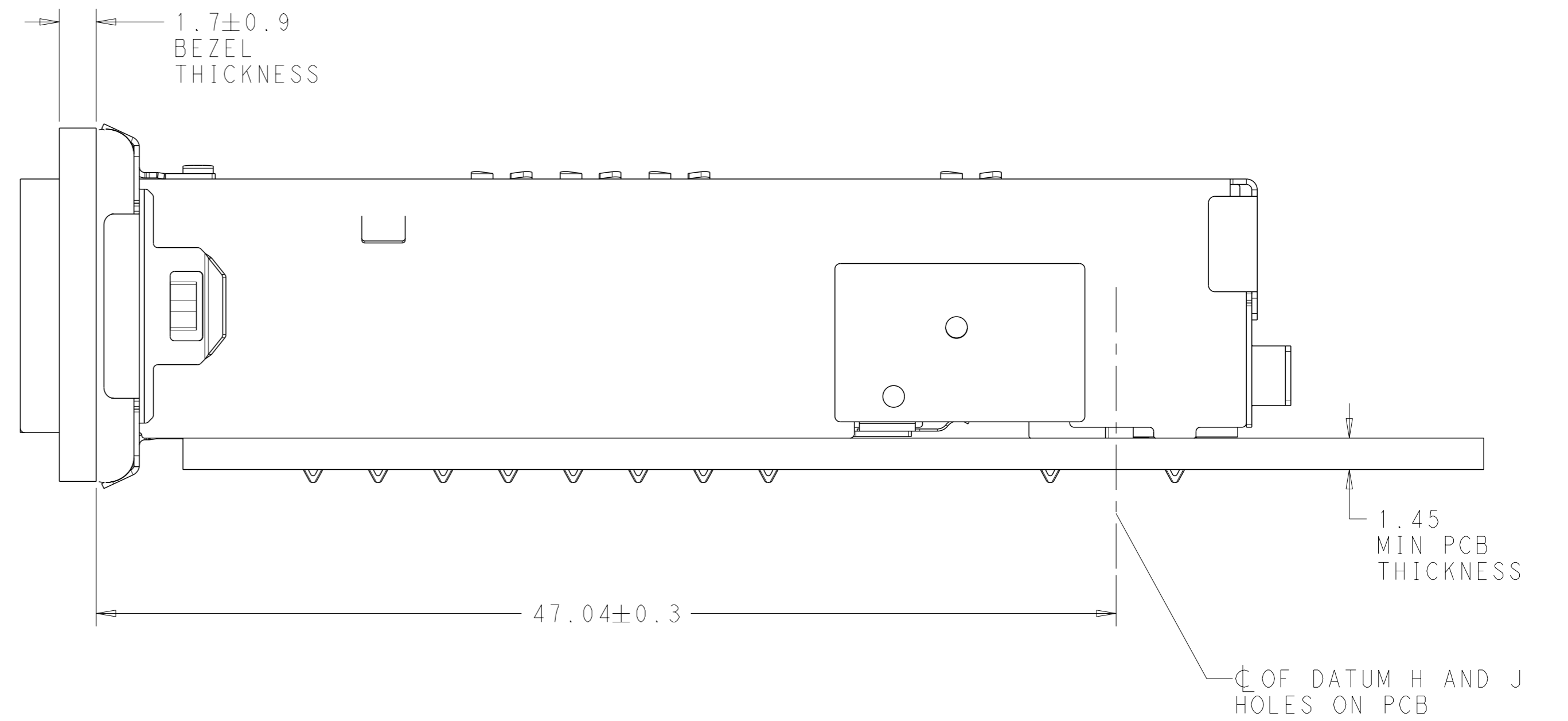


THIS DRAWING IS A CONTROLLED DOCUMENT.		OWN: C. VALENTINE 12JAN2016	TE Connectivity
DIMENSIONS: mm		CHK: E. BRIANT 12JAN2016	
TOLERANCES UNLESS OTHERWISE SPECIFIED:		APVD: E. BRIANT 12JAN2016	NAME: CAGE ASSEMBLY, 1X4, microQSPF
0 PLC ±	1 PLC ±	PRODUCT SPEC: 108-32129	SIZE: A1
2 PLC ±	3 PLC ±	APPLICATION SPEC: 114-32151	CAGE CODE: -
4 PLC ±	ANGLES ±1°	WEIGHT: -	DRAWING NO: C=2297550
MATERIAL: -	FINISH: -	CUSTOMER DRAWING	RESTRICTED TO: -
SCALE: 5:1			SHEET 2 OF 6
REV: A			

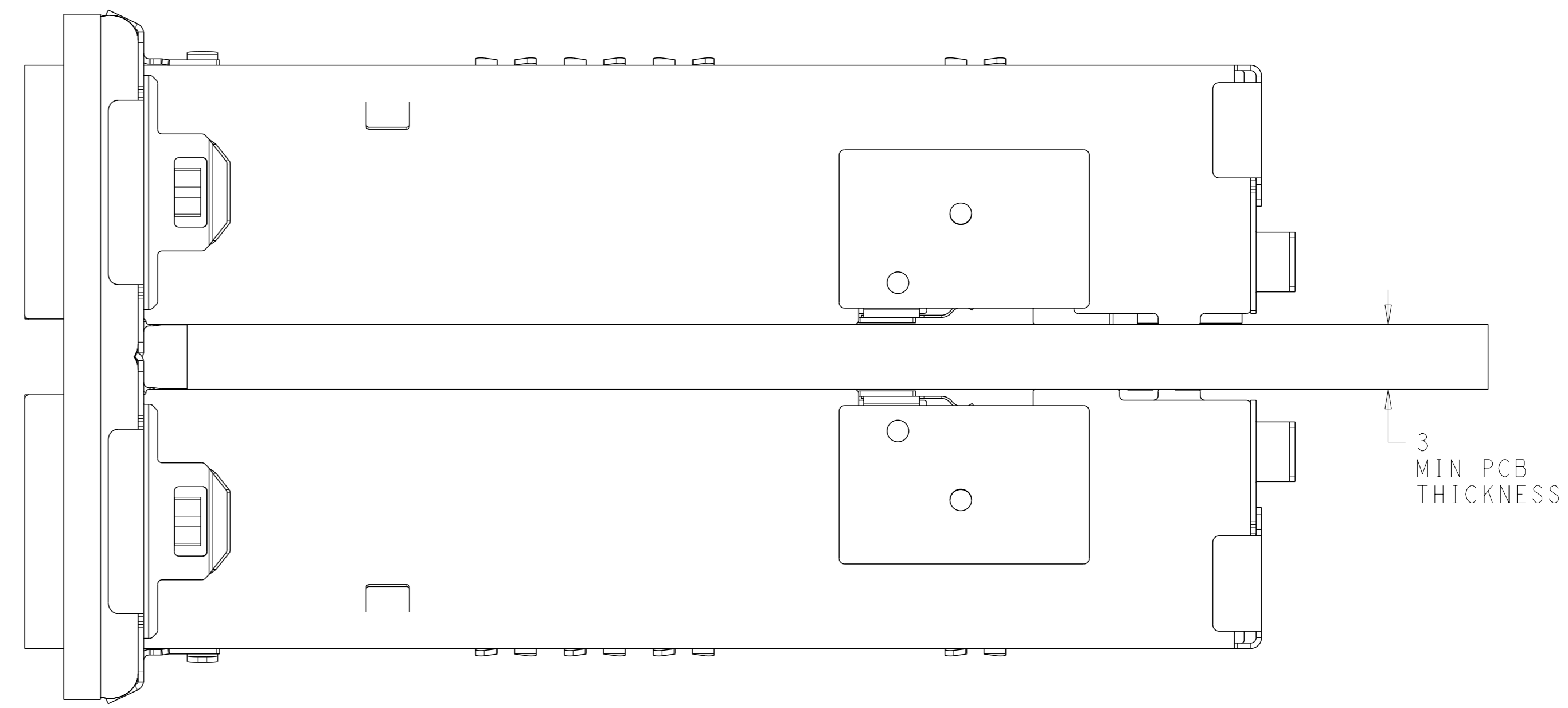
REVISIONS				
#	LY#	DESCRIPTION	DATE	OWN APVD
-	-	SEE SHEET 1	-	-



2297550-2
 SINGLE SIDED
 PCB AND BEZEL LAYOUT

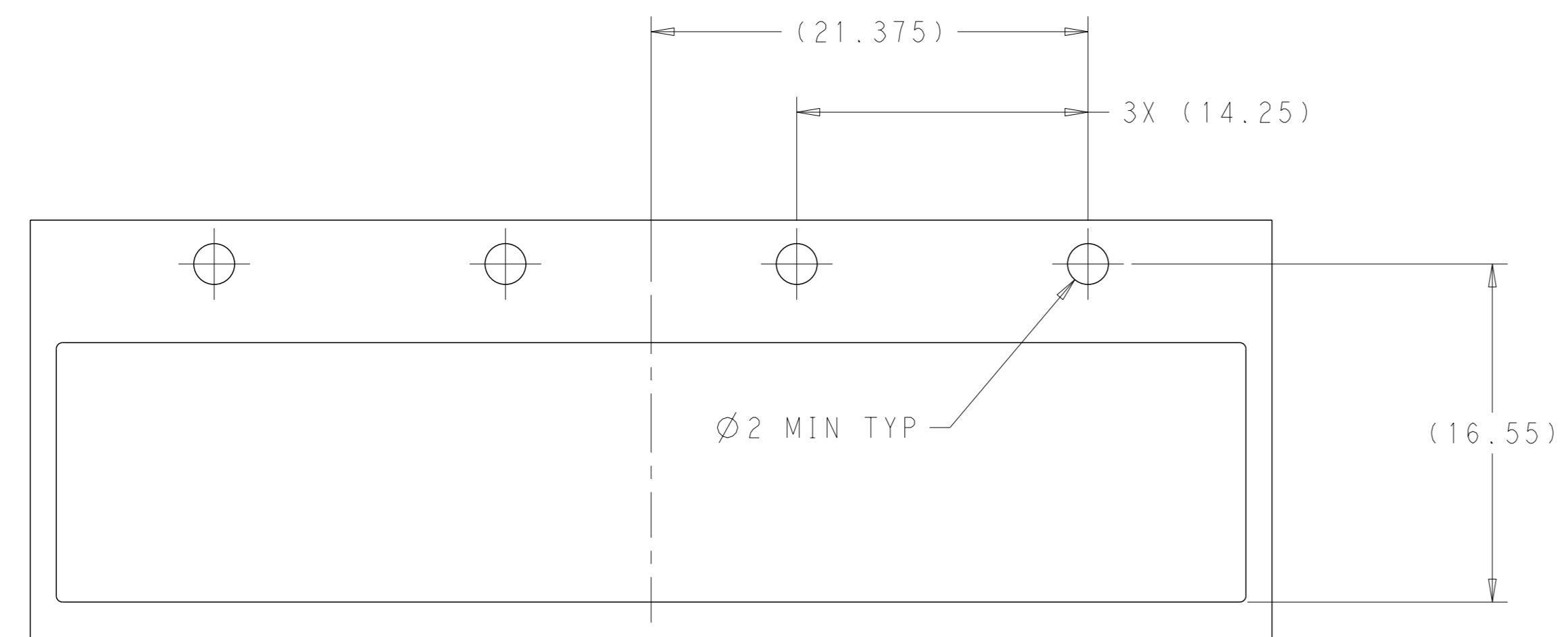


2297550-2
 BELLY TO BELLY
 SAME AS SINGLE SIDED
 EXCEPT WHERE NOTED
 PCB AND BEZEL LAYOUT

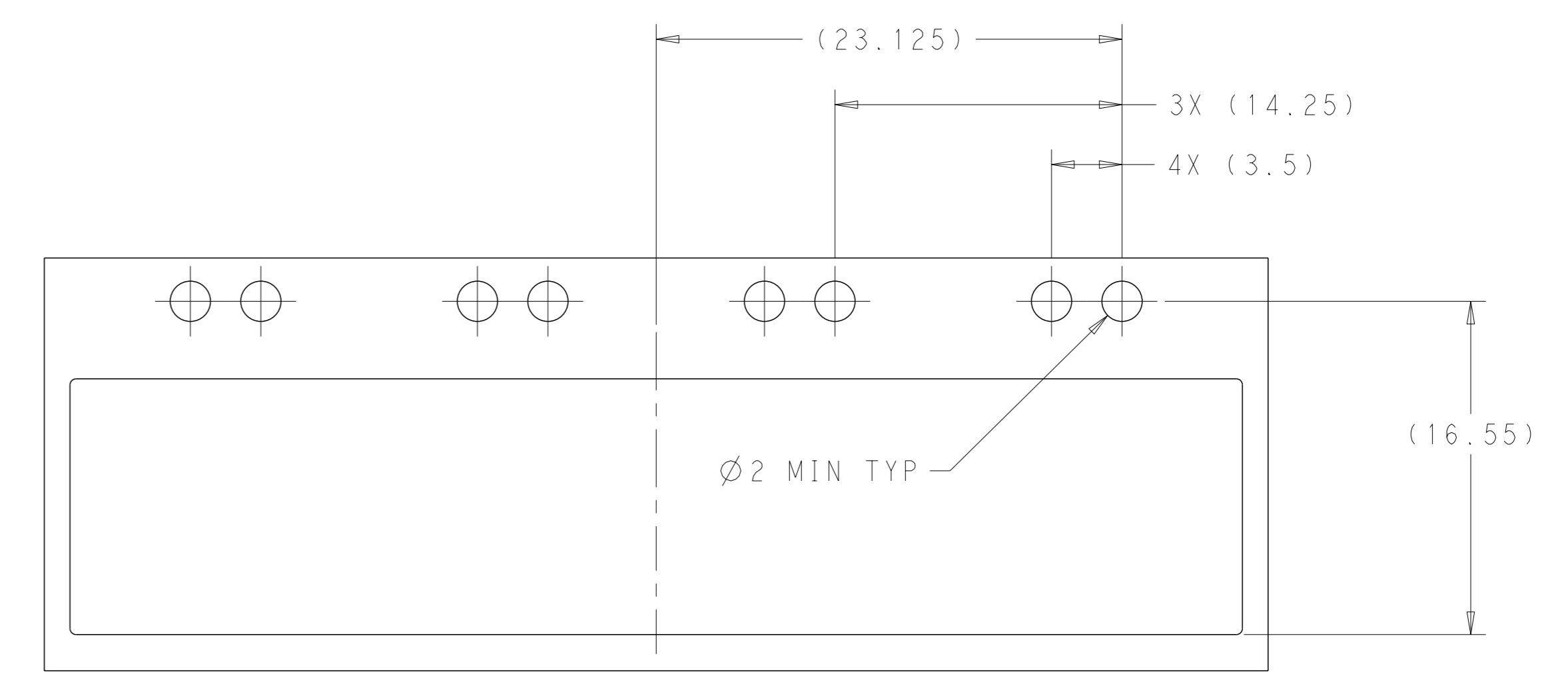


THIS DRAWING IS A CONTROLLED DOCUMENT.		OWN C. VALENTINE 12 JAN 2016	NAME CAGE ASSEMBLY, 1X4, microQSFP	
DIMENSIONS: mm		CHK E. BRIANT 12 JAN 2016	RESTRICTED TO	
TOLERANCES UNLESS OTHERWISE SPECIFIED:		APVD E. BRIANT 12 JAN 2016	SIZE A1	
0 PLC ±	1 PLC ±	PRODUCT SPEC 108-32129	SCALE 5:1	
2 PLC ±	3 PLC ±	APPLICATION SPEC 114-32151	SHEET 3 OF 6	
4 PLC ±	ANGLES ±1°	WEIGHT	REV A	
MATERIAL		CUSTOMER DRAWING	CAGE CODE DRAWING NO 2297550	

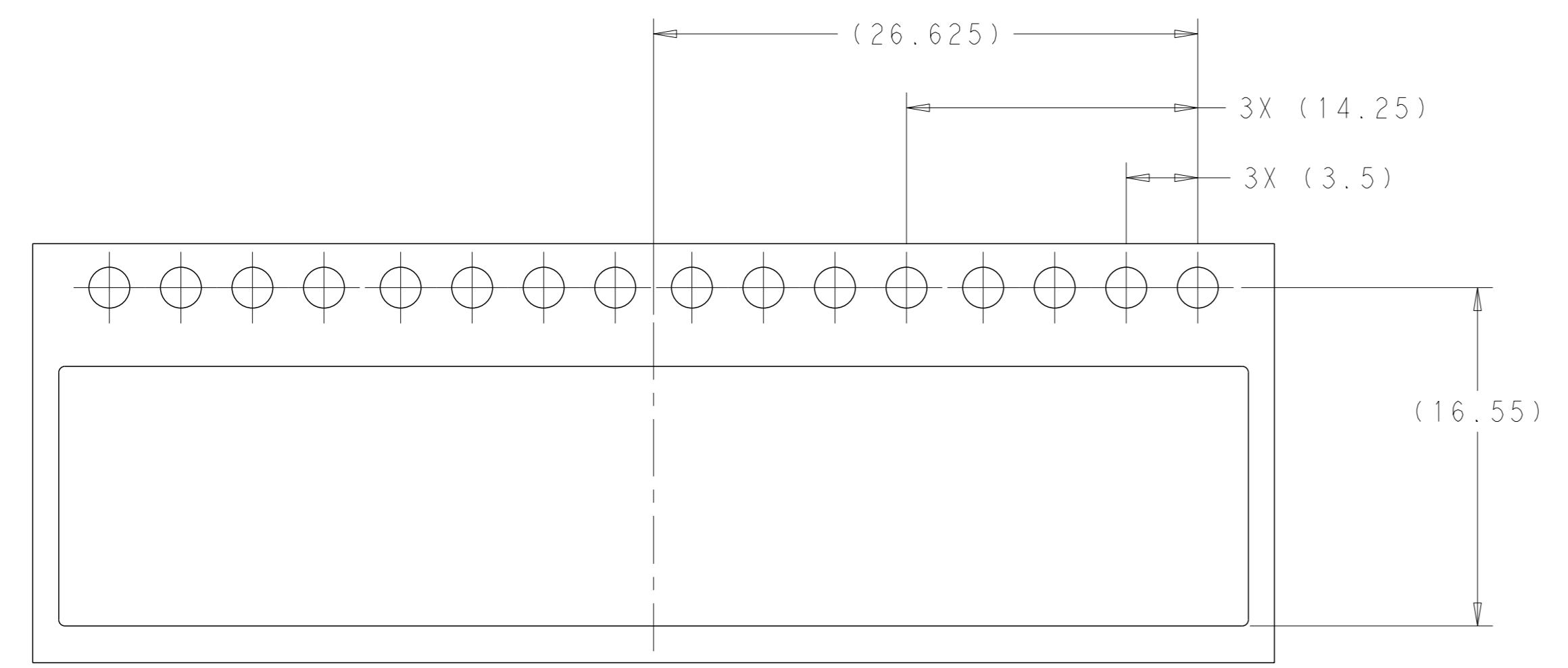
REVISIONS				
#	LY#	DESCRIPTION	DATE	OWN APVD
-	-	SEE SHEET 1	-	-



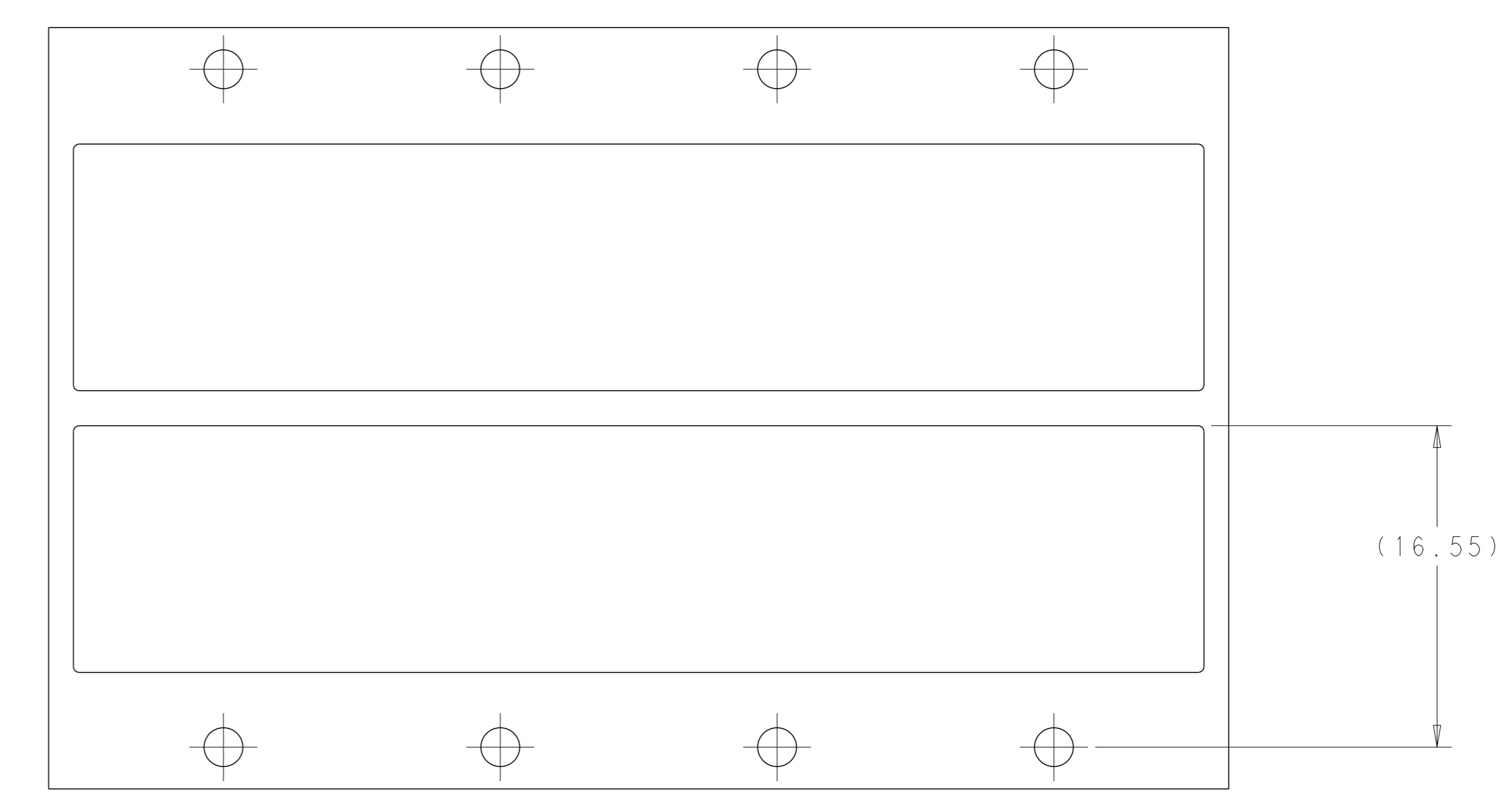
BEZEL LAYOUT FOR SINGLE LIGHT PIPE
 SINGLE SIDED
 SCALE 4:1



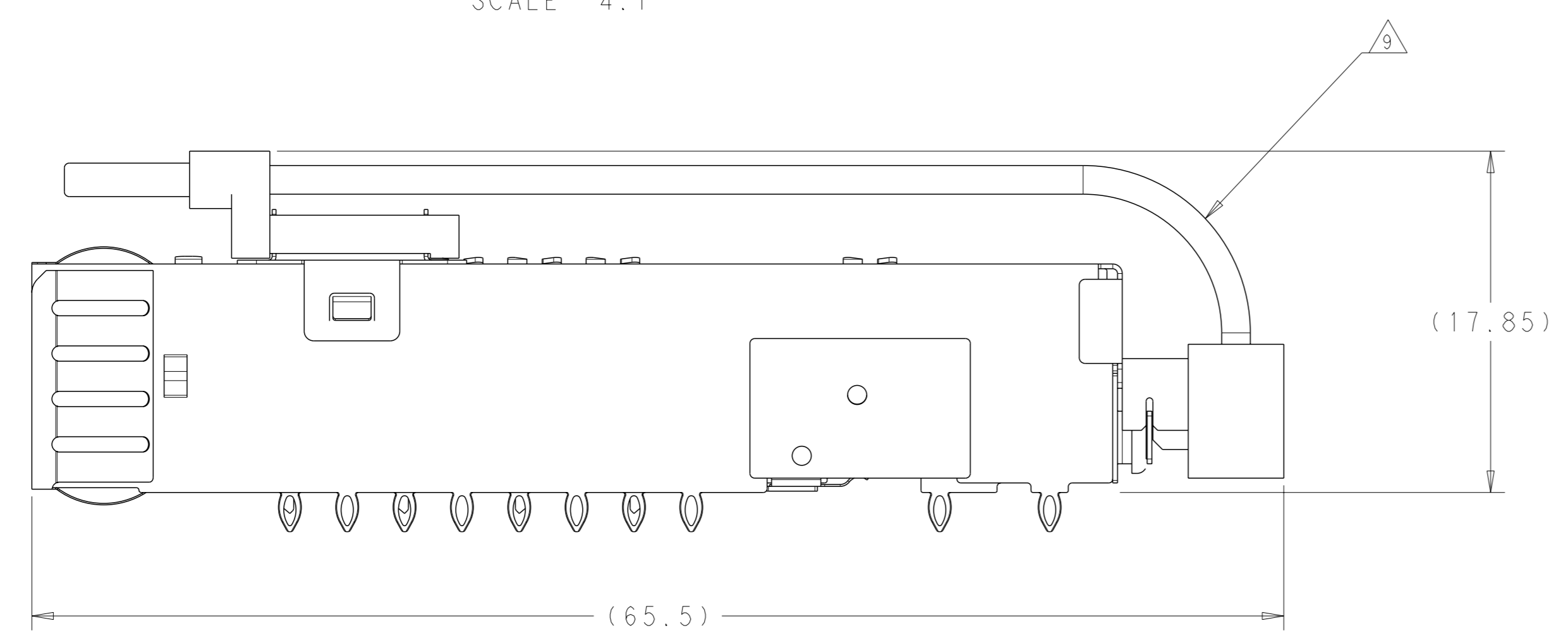
BEZEL LAYOUT FOR DOUBLE LIGHT PIPE
 SINGLE SIDED
 SCALE 4:1



BEZEL LAYOUT FOR QUAD LIGHT PIPES
 SINGLE SIDED
 SCALE 4:1



BEZEL LAYOUT FOR LIGHT PIPES
 BELLY TO BELLY
 SIMILAR TO SINGLE SIDED
 EXCEPT WHERE NOTED
 SCALE 4:1

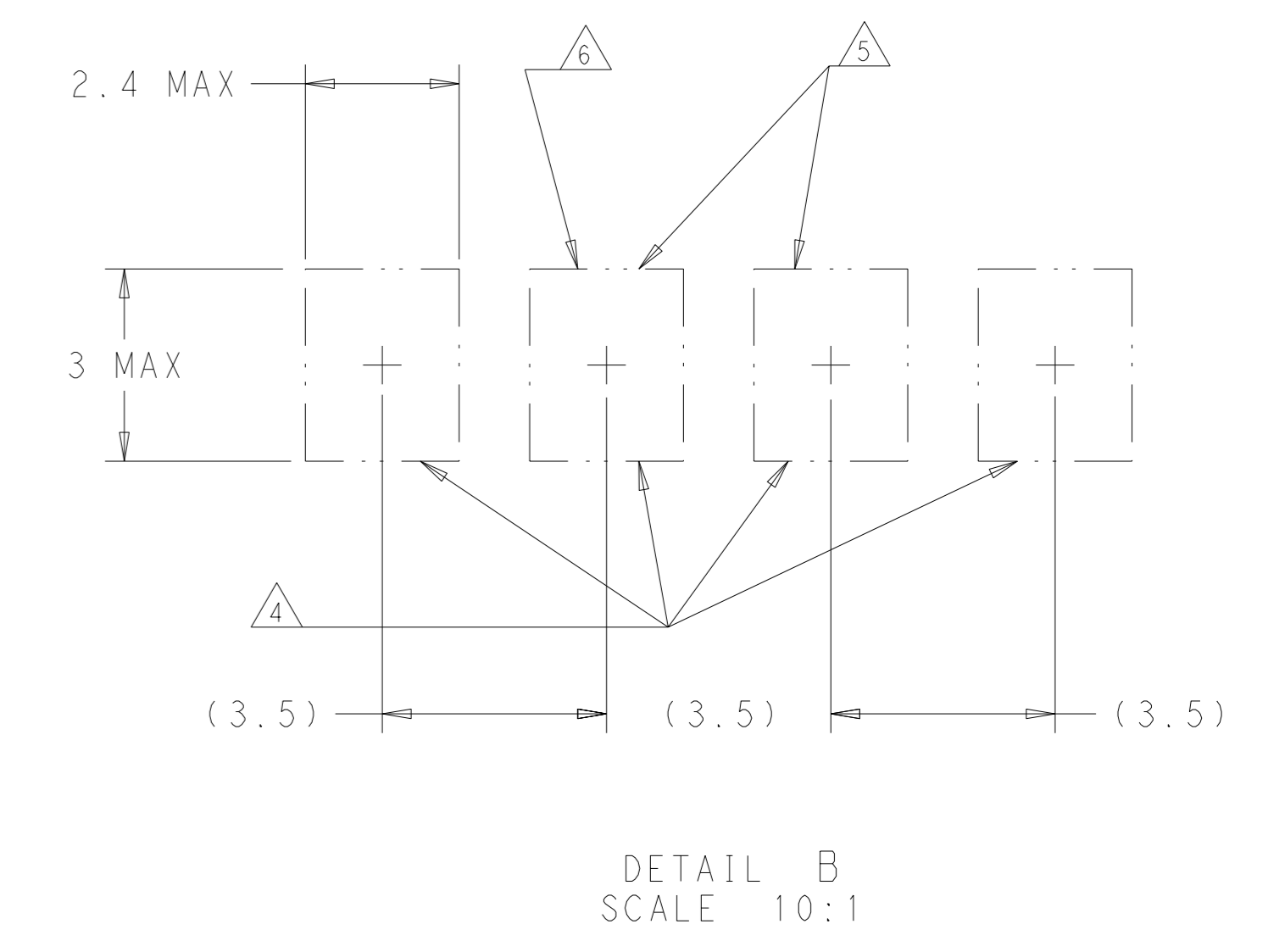
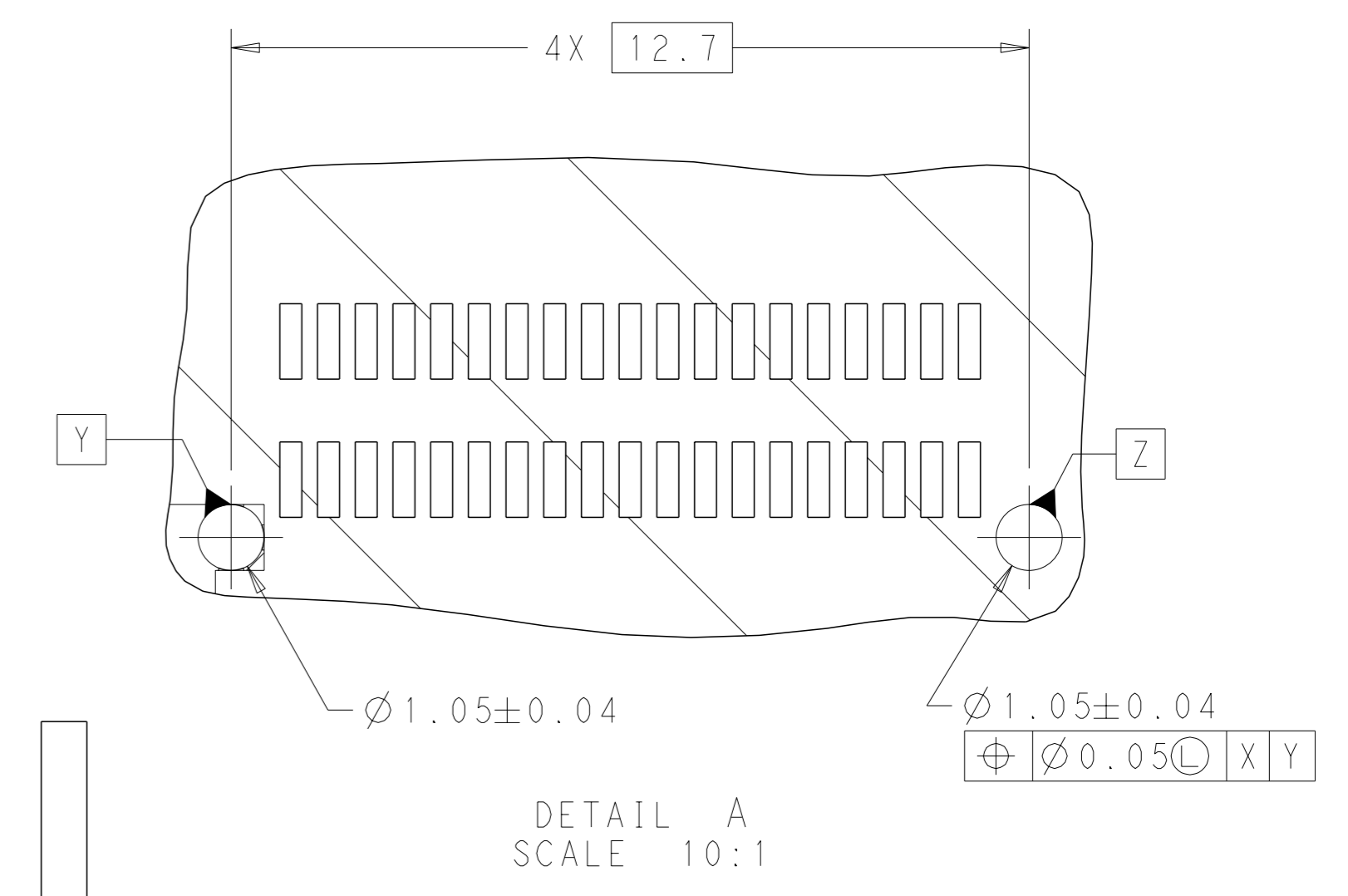
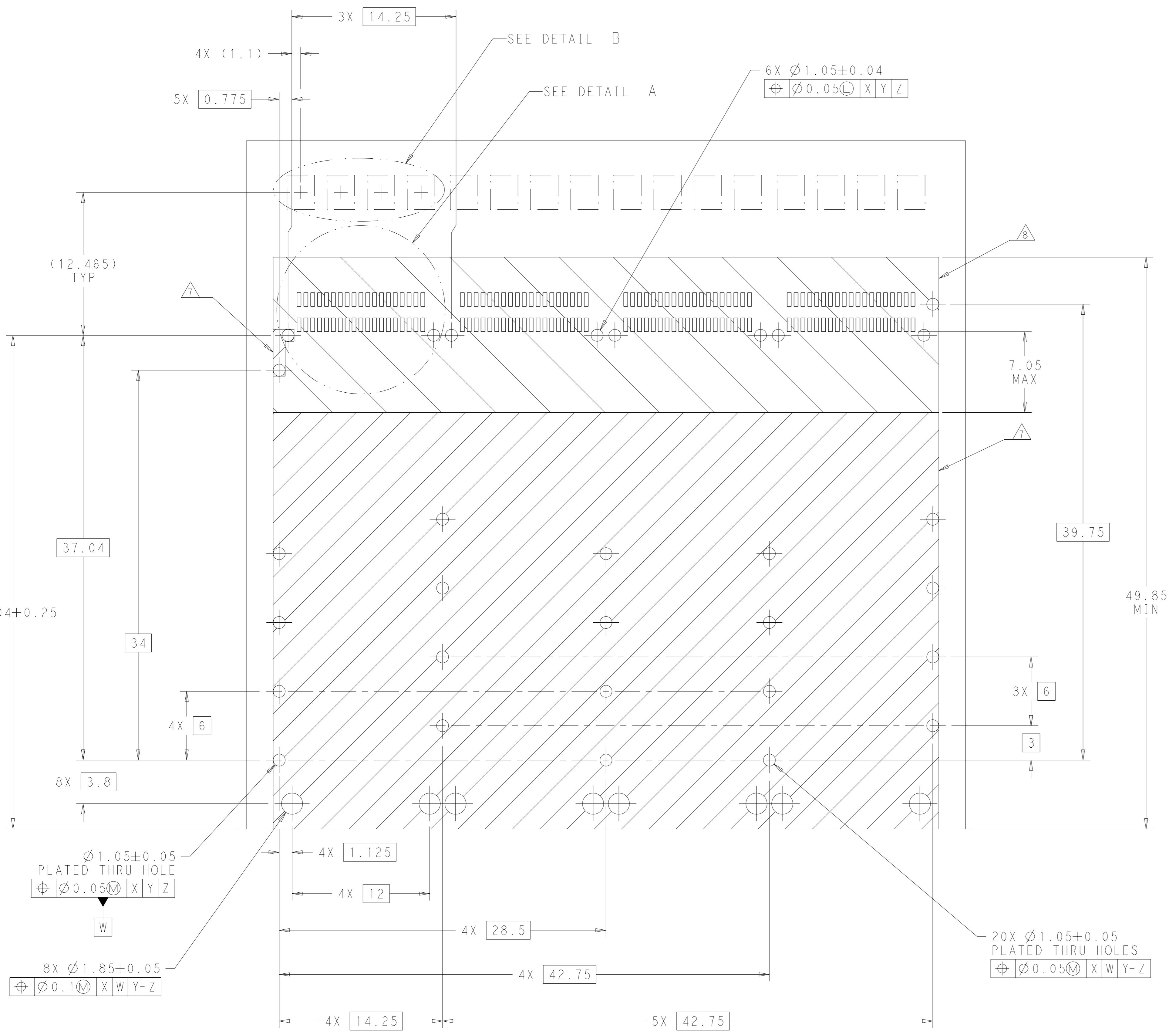


4-2297550-1
 SCALE 4:1

THIS DRAWING IS A CONTROLLED DOCUMENT.		OWN C. VALENTINE 12JAN2016	TE Connectivity	
DIMENSIONS:		CHK E. BRIANT 12JAN2016	NAME CAGE ASSEMBLY, 1X4, microQSPF	
mm	TOLERANCES UNLESS OTHERWISE SPECIFIED:	APVD E. BRIANT 12JAN2016	PRODUCT SPEC 108-32129	
Ø	0 PLC ±	APPLICATION SPEC	114-32151	
	1 PLC ±	SIZE	A1	
	2 PLC ±	CAGE CODE	-	
	3 PLC ±	DRAWING NO	C=2297550	
	4 PLC ±	RESTRICTED TO	-	
	ANGLES ±	SCALE	5:1	
	FINISH ±	SHEET	4 OF 6	
MATERIAL		WEIGHT	REV A	
		CUSTOMER DRAWING		

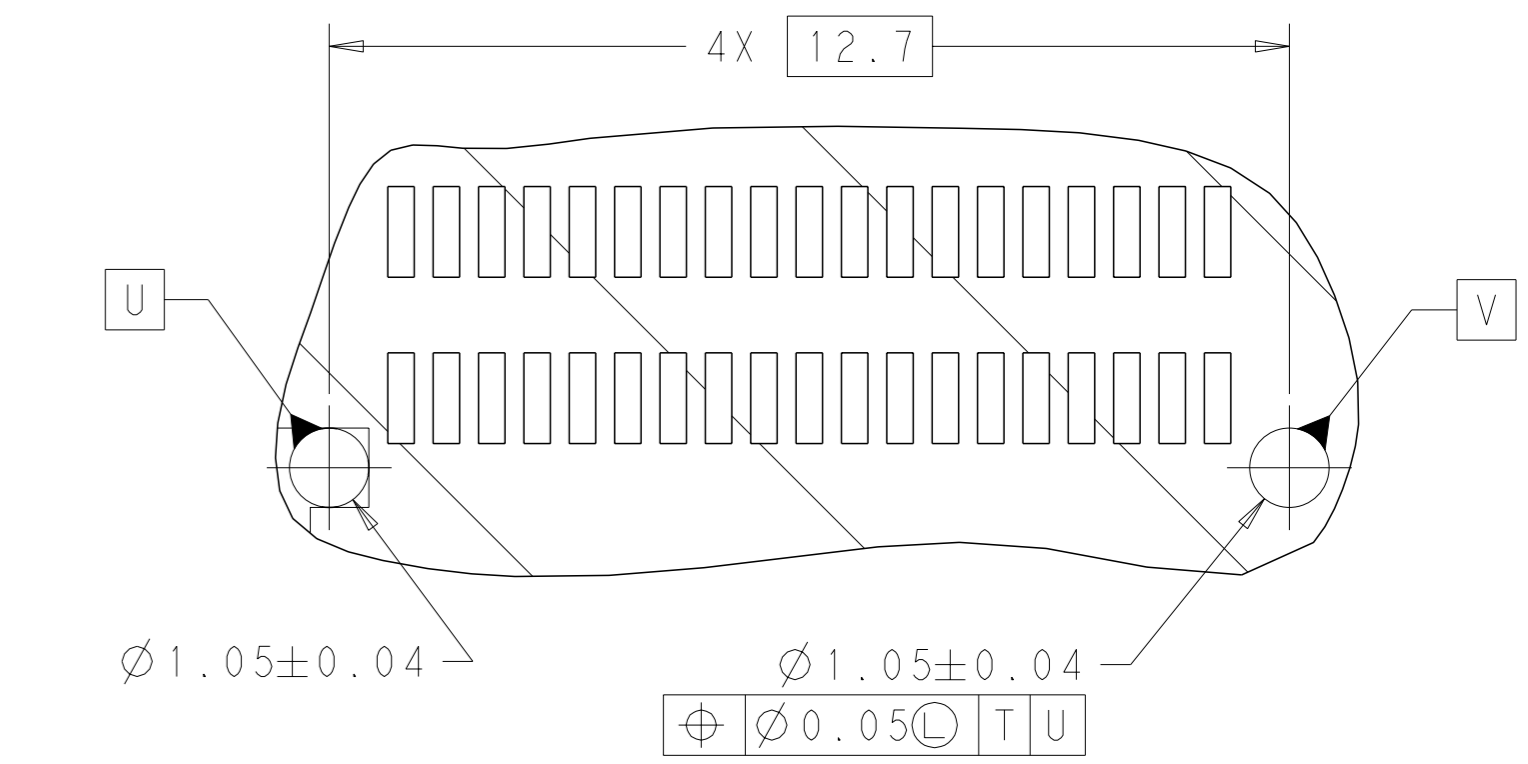
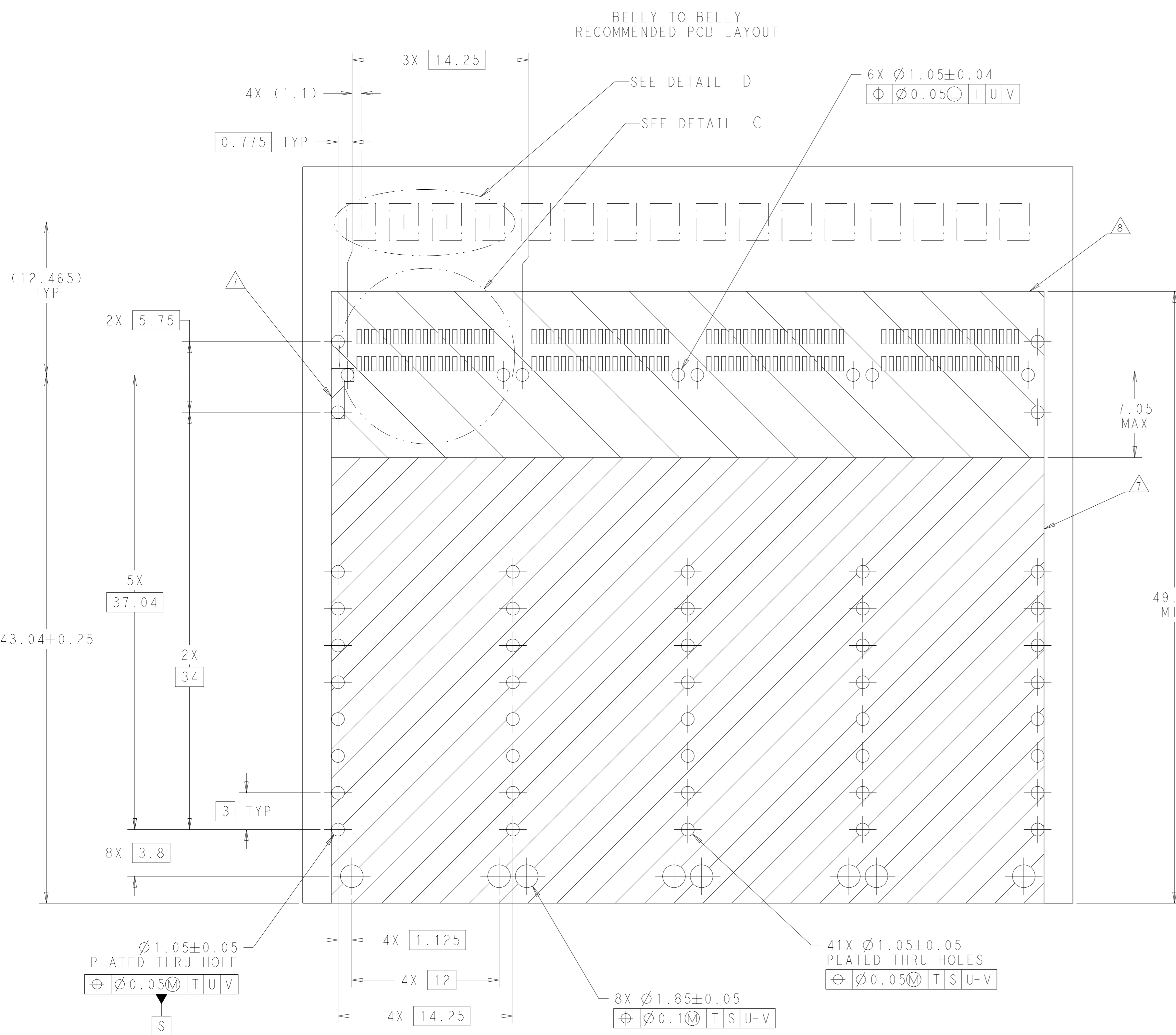
REVISIONS				
#	DATE	DESCRIPTION	OWN	APVD
-	-	SEE SHEET 1	-	-

SINGLE SIDED
RECOMMENDED PCB LAYOUT

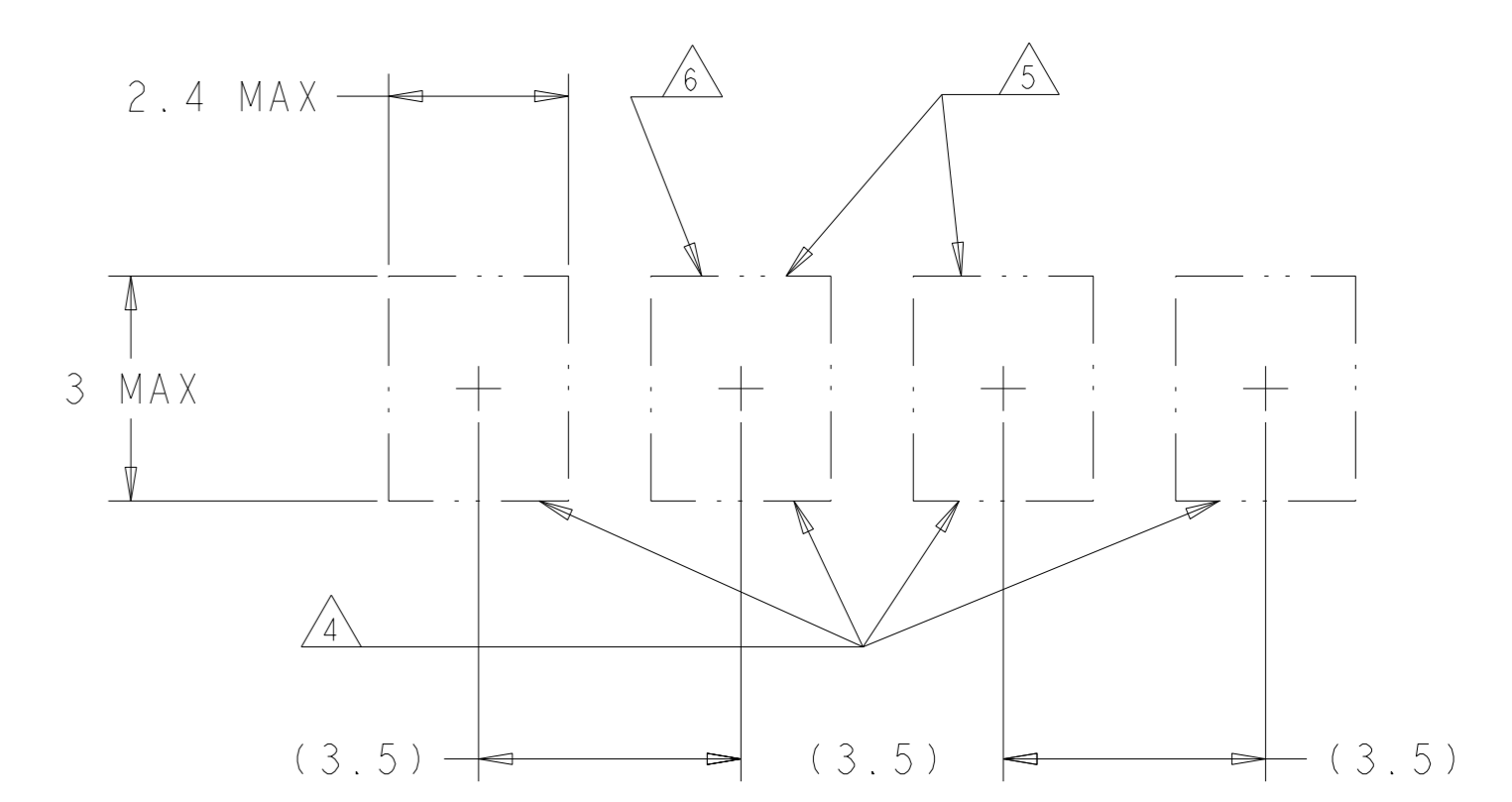


THIS DRAWING IS A CONTROLLED DOCUMENT.		OWN: C. VALENTINE 12JAN2016	TE Connectivity
DIMENSIONS: mm		CHK: E. BRIANT 12JAN2016	
TOLERANCES UNLESS OTHERWISE SPECIFIED:		APVD: E. BRIANT 12JAN2016	NAME: CAGE ASSEMBLY, 1X4, microQSFP
0 PLC \pm	1 PLC \pm	PRODUCT SPEC: 108-32129	SIZE: A1
2 PLC \pm	3 PLC \pm	APPLICATION SPEC: 114-32151	CAGE CODE: -
4 PLC \pm	ANGLES \pm	FINISH: *1*	DRAWING NO: C=2297550
MATERIAL: -	WEIGHT: -	CUSTOMER DRAWING	RESTRICTED TO: -
SCALE: 5:1			SHEET 5 OF 6
REV: A			

REVISIONS				
P	LY#	DESCRIPTION	DATE	OWN / APVD
-	-	SEE SHEET 1	-	-



DETAIL C
SCALE 10:1



DETAIL D
SCALE 10:1

THIS DRAWING IS A CONTROLLED DOCUMENT.		OWN: C. VALENTINE 12JAN2016	TE Connectivity
DIMENSIONS: mm		CHK: E. BRIANT 12JAN2016	
TOLERANCES UNLESS OTHERWISE SPECIFIED:		APVD: E. BRIANT 12JAN2016	NAME: CAGE ASSEMBLY, 1X4, microQSFP
0 PLC ±	1 PLC ±	PRODUCT SPEC	108-32129
2 PLC ±	3 PLC ±	APPLICATION SPEC	114-32151
4 PLC ±	ANGLES ±1°	WEIGHT	SCALE 5:1 SHEET 6 OF 6 REV A
MATERIAL	FINISH	CUSTOMER DRAWING	SIZE: A1 CAGE CODE: 2297550