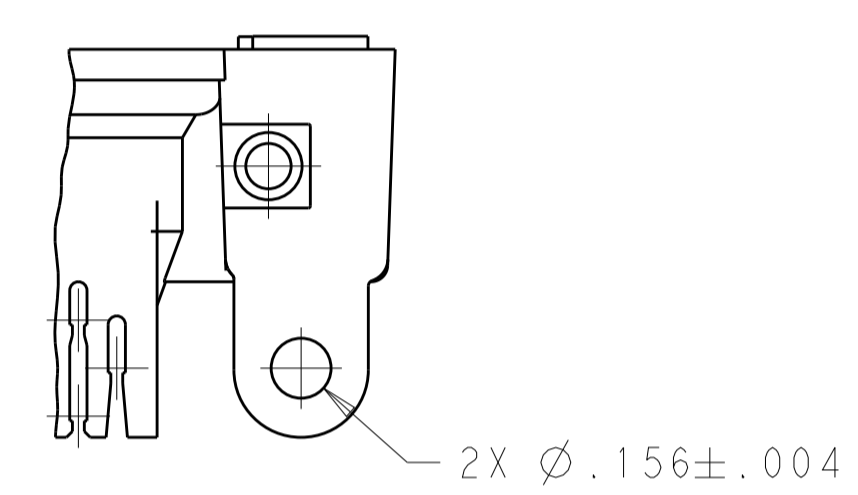
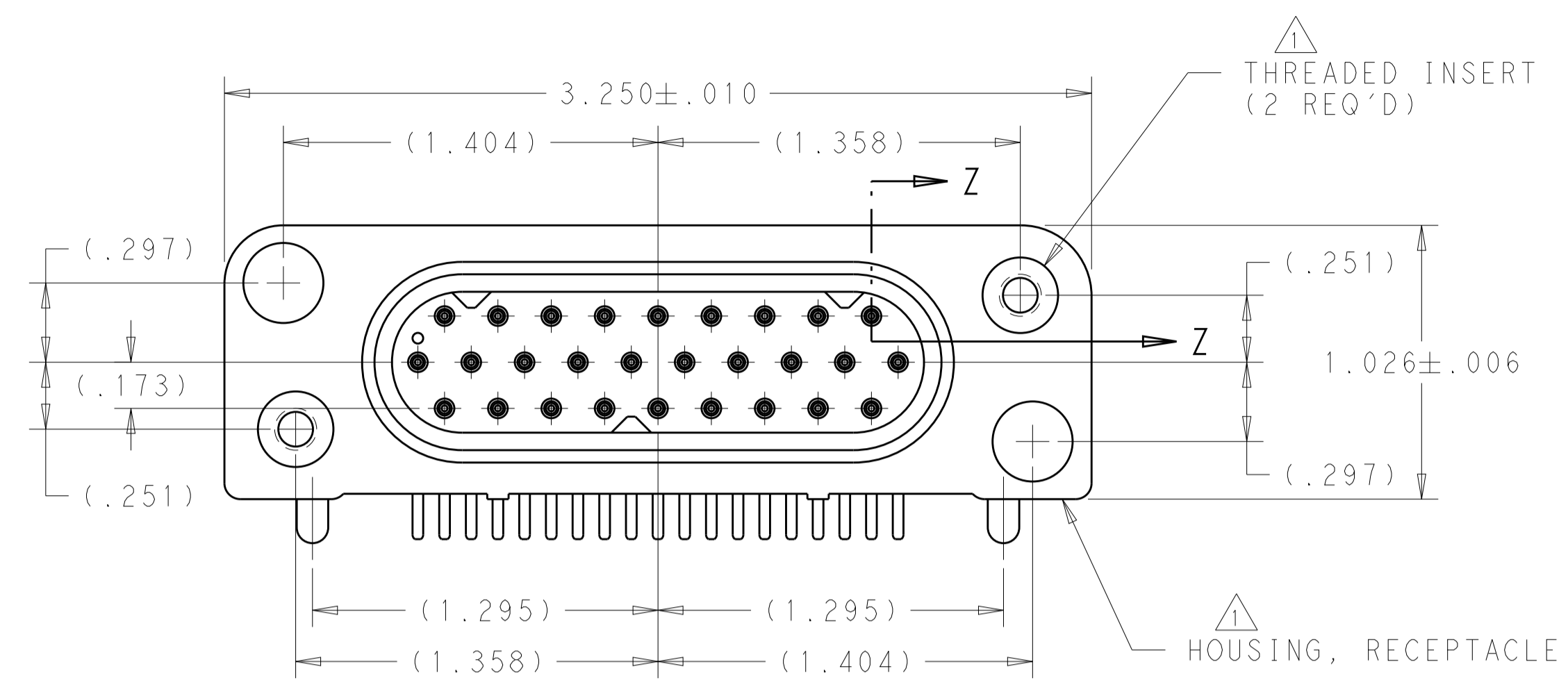
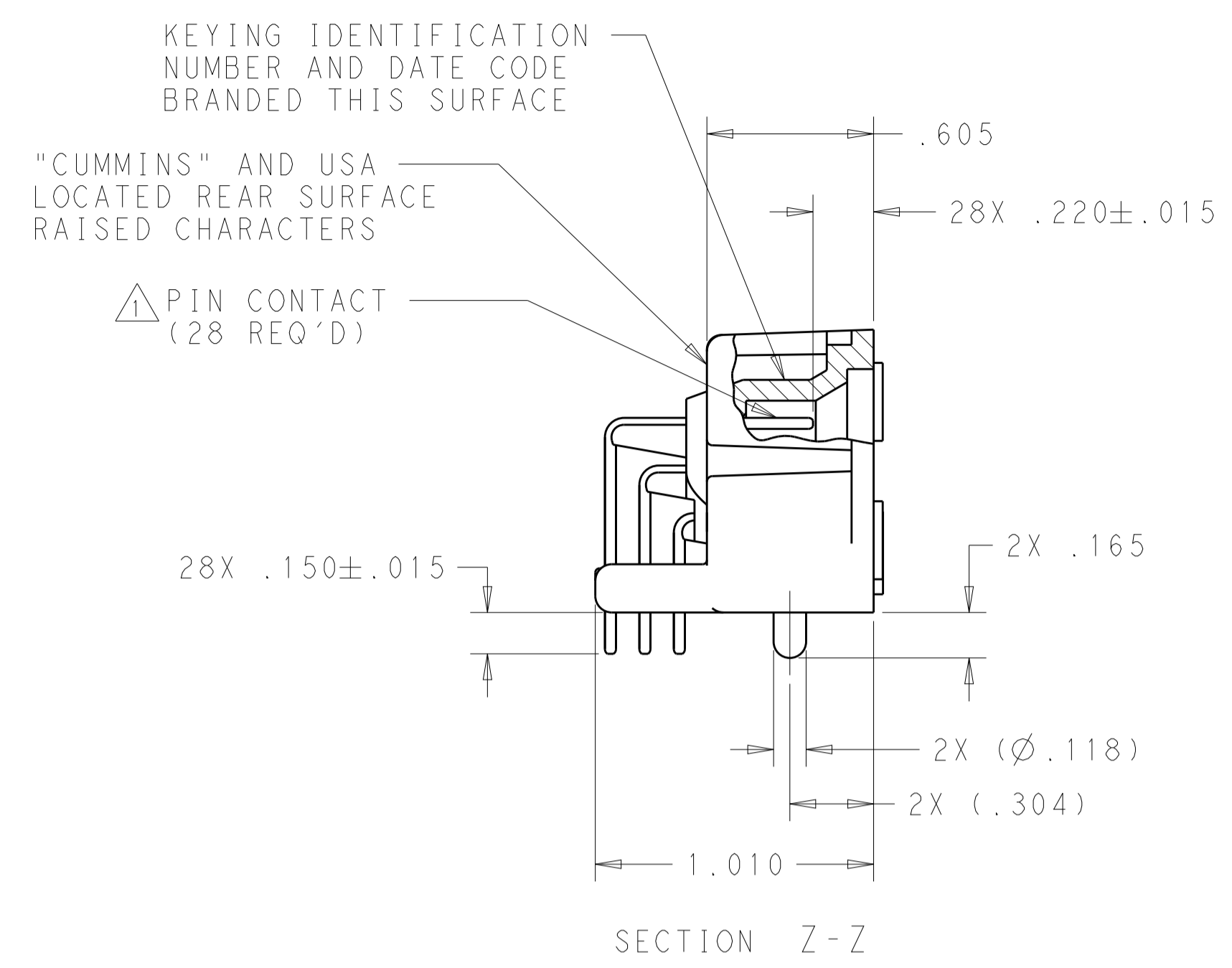
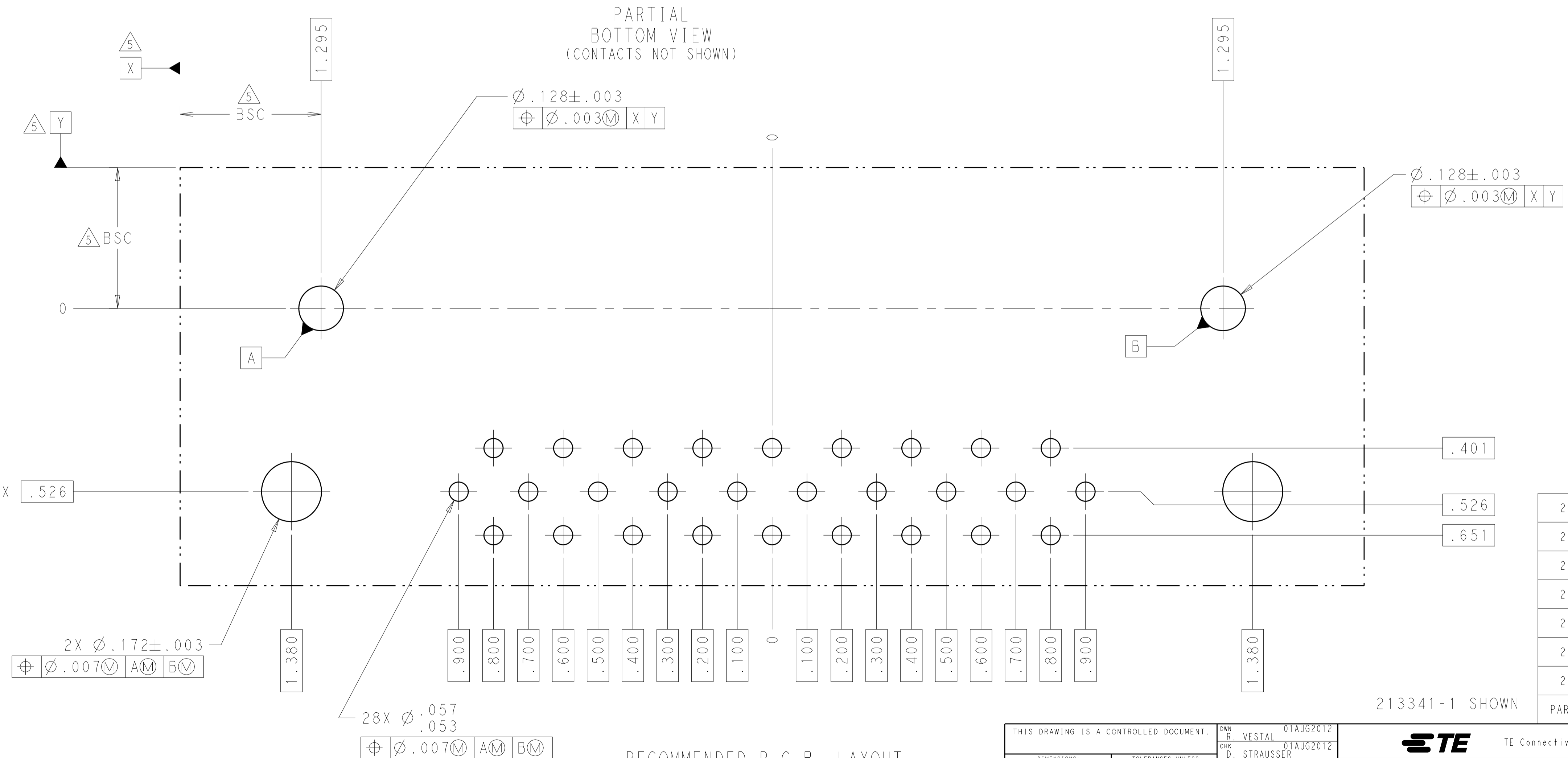
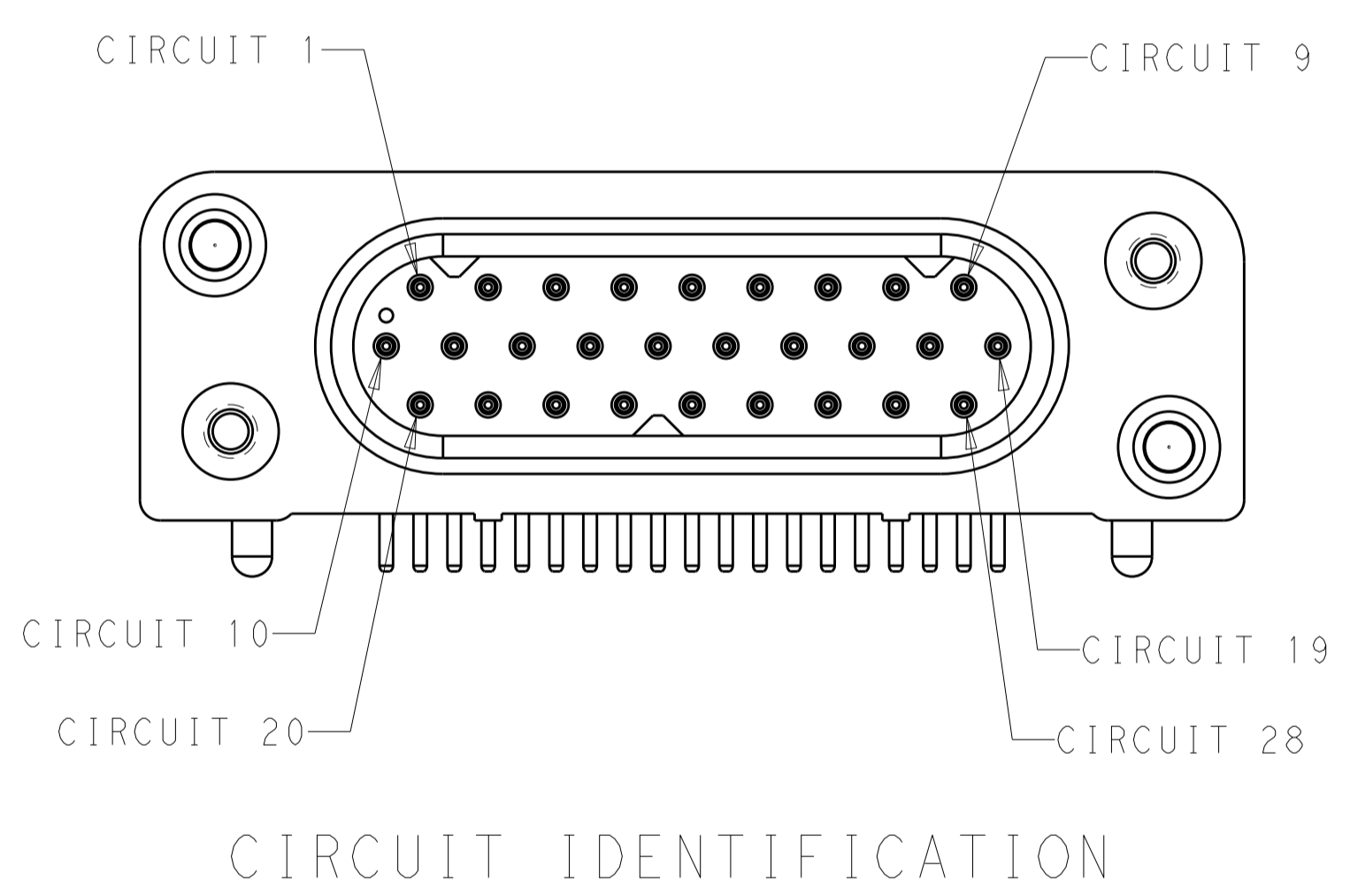


REVISIONS				
P.	LTM	DESCRIPTION	DATE	APVD
L1		REV PER ECO-12-022277	21DEC2012	RGV DCS
L2		REV PER ECO-19-000477	11JAN2019	DS DS



- △ MATERIAL AND FINISH:
 PIN: COPPER ALLOY PLATED WITH 30µ IN MIN. THICK GOLD PER MIL-G-45204 OVER 50µ IN MIN. THICK NICKEL PER QQ-N-290.
 HOUSING: 30% GLASS FILLED PBT, BLACK
 INSERT: BRASS
- CUMMINS ELECTRONICS MUST BE INFORMED BY WAY OF A PRODUCT CHANGE IDENTIFICATION OF ALL CHANGES TO THE TE CUSTOMER DRAWINGS.
 - NOTE DELETED.
 - MATES WITH PLUG KIT 776179.
 - DATUMS AND BASIC DIMENSIONS ESTABLISHED BY CUSTOMER.



PART NO.	KEYING ARRANGMENT	KEYING ID NO.
213341-7		7
213341-6		6
213341-5		5
213341-4		4
213341-3		3
213341-2		2
213341-1		1

213341-7
213341-6
213341-5
213341-4
213341-3
213341-2
213341-1
PART NUMBER

RECOMMENDED P.C.B. LAYOUT
 SCALE 5:1

THIS DRAWING IS A CONTROLLED DOCUMENT.

DIMENSIONS: INCHES	TOLERANCES UNLESS OTHERWISE SPECIFIED:	0 PLC ±	1 PLC ±	2 PLC ±	3 PLC ±.005	4 PLC ±	ANGLES ±
MATERIAL		FINISH		WEIGHT		CUSTOMER DRAWING	

OWN: R. VESTAL 01AUG2012
 CHK: D. STRAUSSER 01AUG2012
 APVD: D. STRAUSSER 01AUG2012
 NAME: ASSEMBLY, HEADER
 28 POSITION, RIGHT ANGLE, ECMSC
 SIZE: CAGE CODE DRAWING NO. RESTRICTED TO: A100779C=213341
 SCALE: 2:1 SHEET 1 OF 1 REV L2