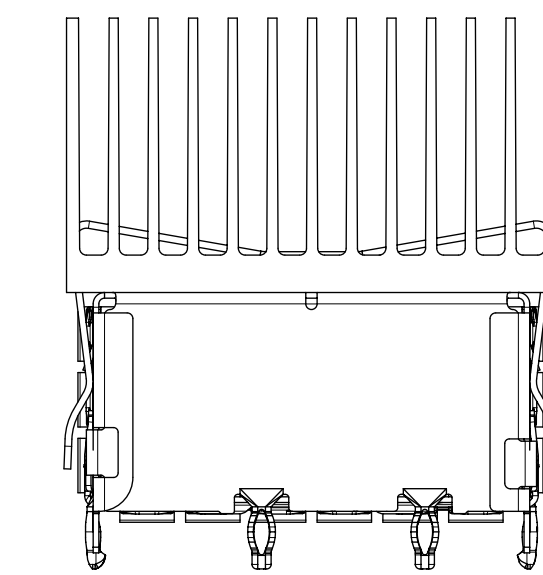
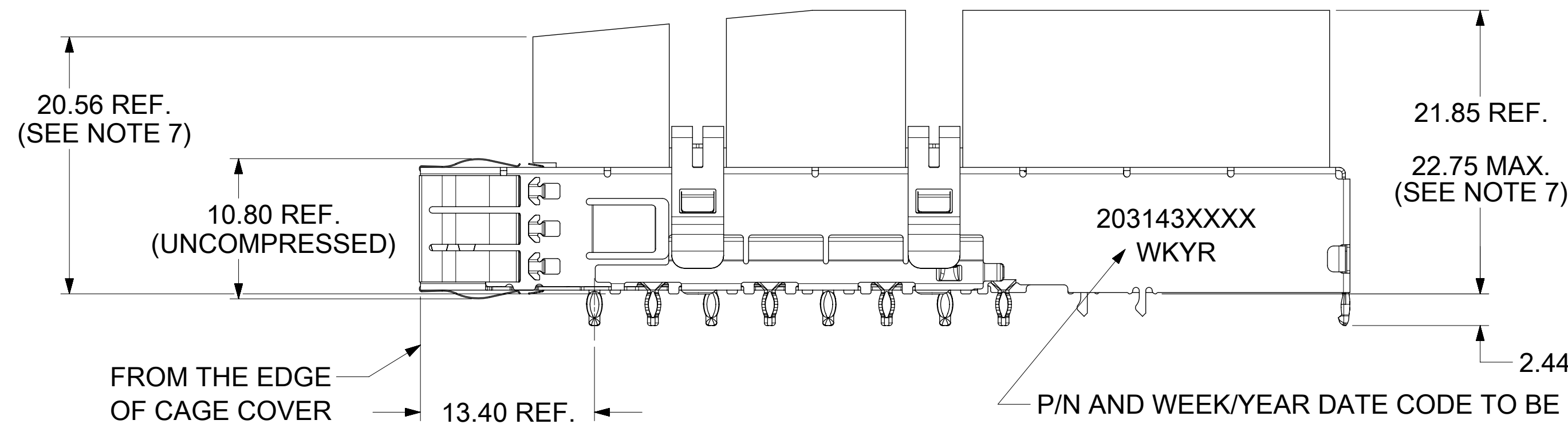
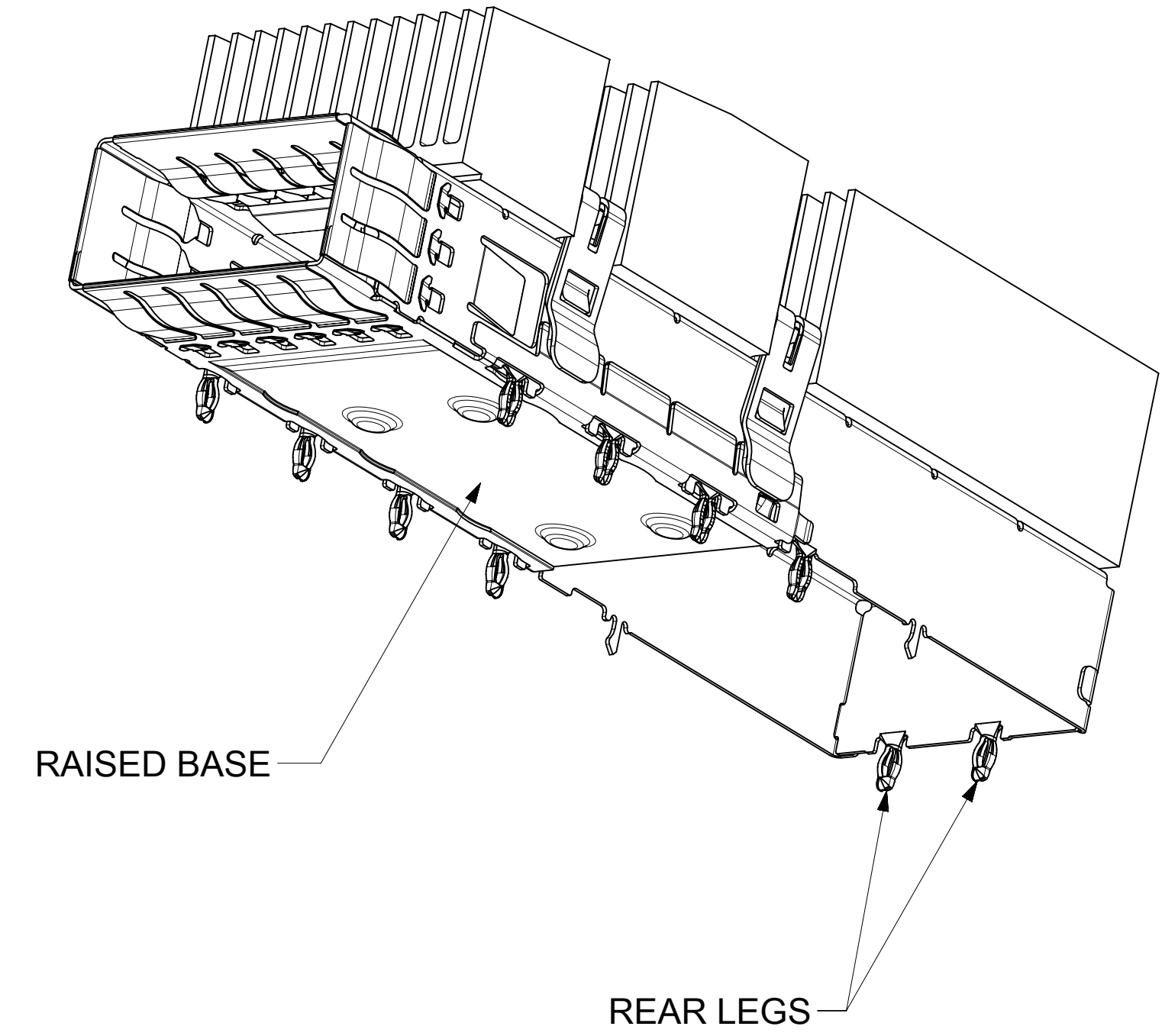
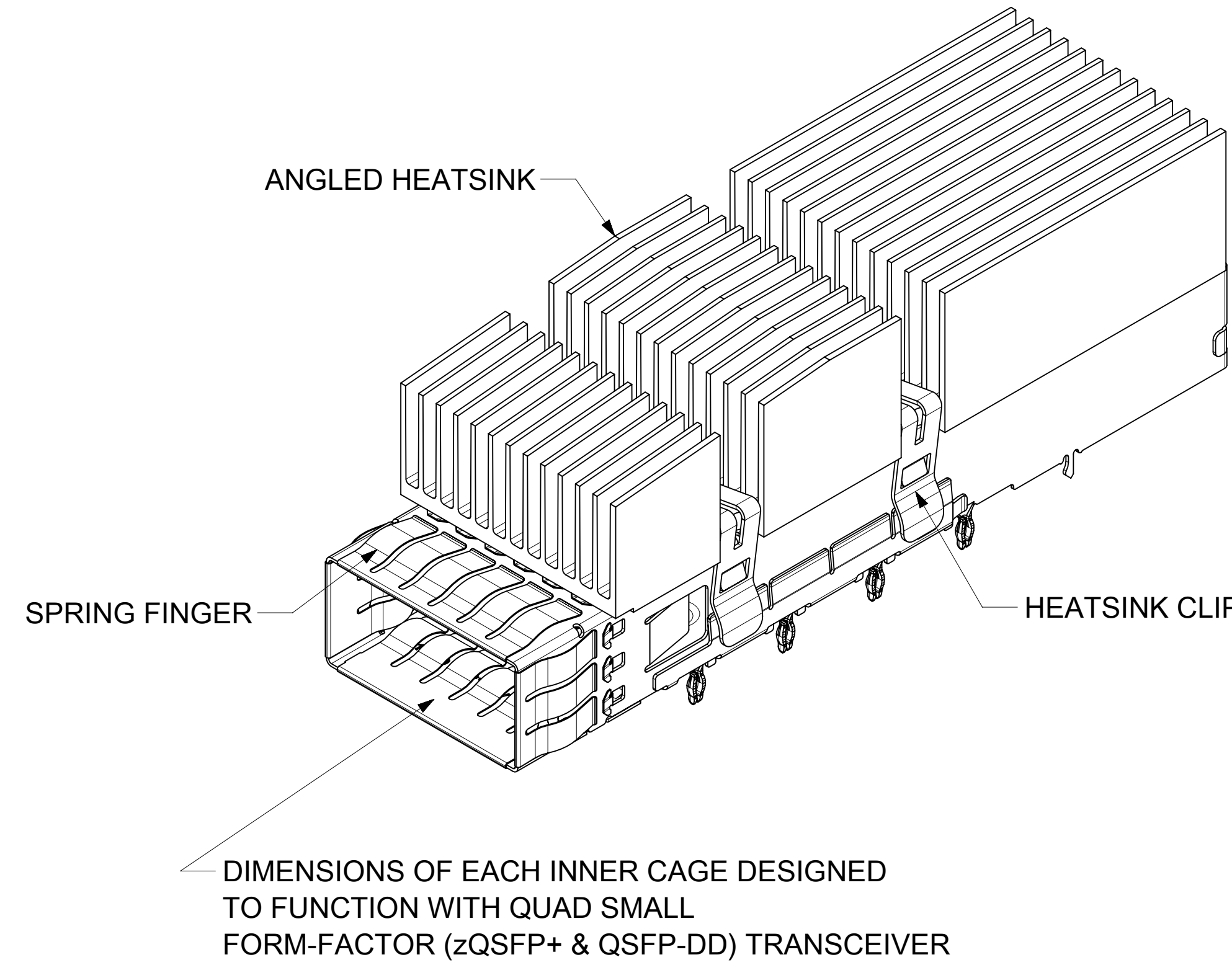
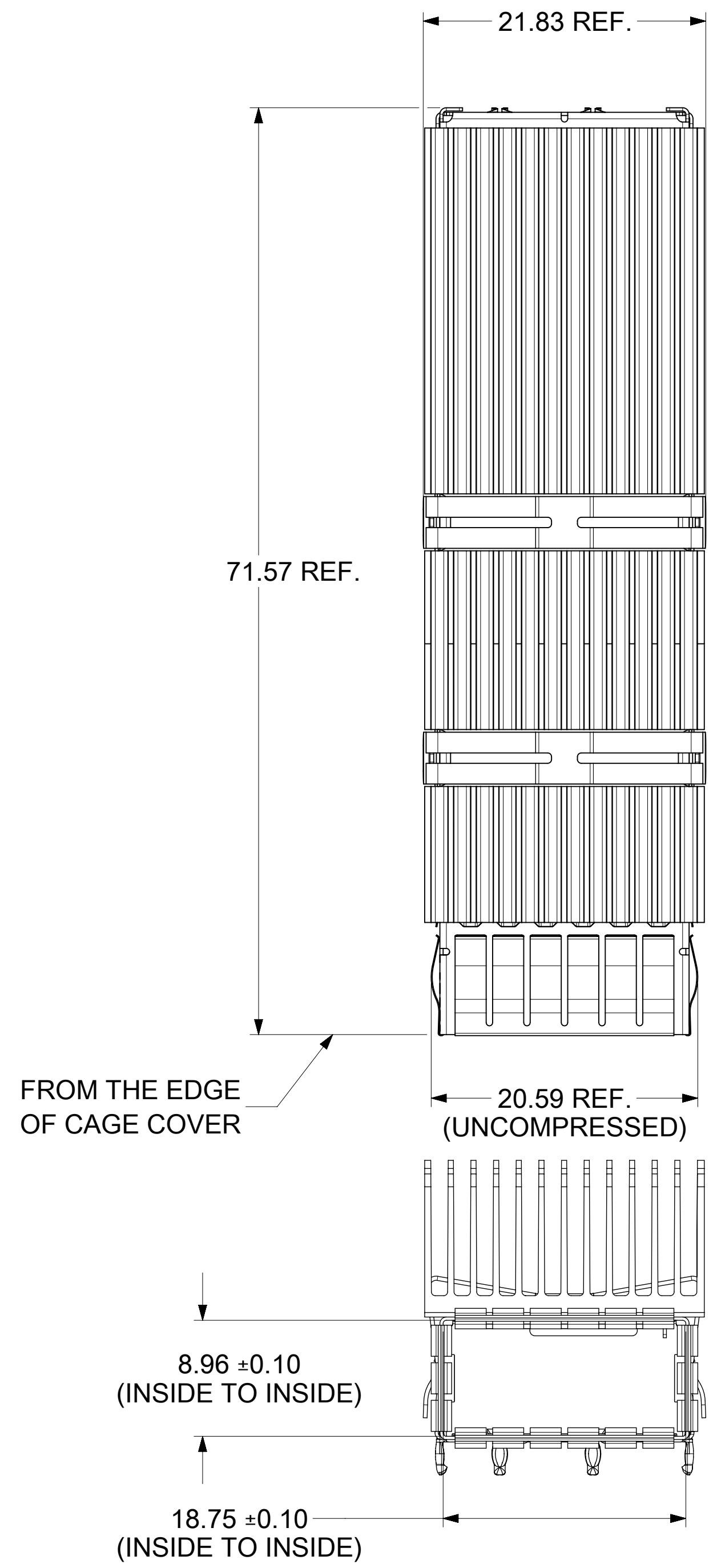


CAGE DETAILS

2031431993



NOTES:

- MATERIAL: CAGE : STAINLESS STEEL.
SPRING FINGERS : STAINLESS STEEL.
HEAT SINK: ALUMINUM(BLACK ANODIZATION)
HEAT SINK CLIP: STAINLESS STEEL
- DURING FINAL INSPECTION, CAGE LEG LOCATIONS AND STRAIGHTNESS MUST BE CHECKED BY USING APPROPRIATE GO - NO GO GAGE.
- DURING FINAL INSPECTION, CAGE MUST BE INSPECTED TO MAKE SURE LEG CONFIGURATIONS AND PART NUMBERS IS CORRECT.
- PARTS TO BE INSPECTED PER MOLEX COSMETIC SPEC ES-171233-0001 (CLASS B UNLESS OTHERWISE SPECIFIED).
- PRESS-FIT LEGS 2.44mm LONG -
1.57mm MINIMUM PCB THICKNESS FOR SINGLE SIDED USE.
2.70mm MINIMUM PCB THICKNESS FOR BELLY TO BELLY USE.
- NO RoHS EXEMPTIONS.
- HEIGHT OF HEATSINK WITH MODULE INSERTED,
DIMENSION MAY BE LESS DUE TO MODULE AND HETASINK VARIATIONS.

P/N AND WEEK/YEAR DATE CODE TO BE PRINTED ON SIDE OF COMPLETED CAGE ASSEMBLY APPROXIMATELY AS SHOWN. SEE TABLE BELOW FOR DATE CODE INFORMATION.

| WEEK/YEAR DATE CODE TABLE | |
|---------------------------|--|
| WK | WEEK OF THE YEAR 01 THRU 52 OR 53 (EXAMPLE: 01= FIRST WEEK OF YEAR, 52 OR 53 = LAST WEEK OF YEAR) |
| YR | 20, 21, 22 ETC.. (EXAMPLE: YEAR 2020= 20) |

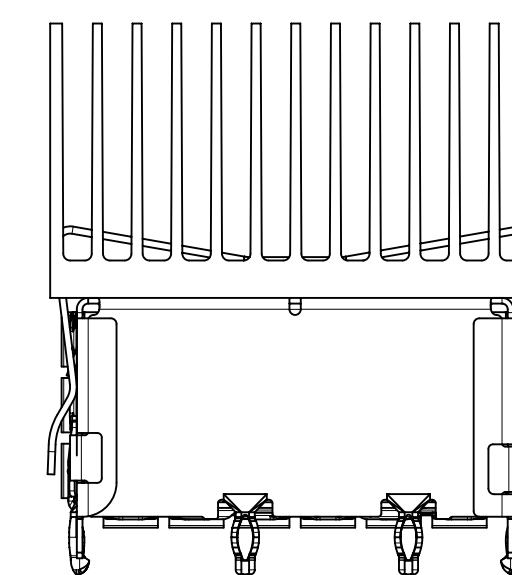
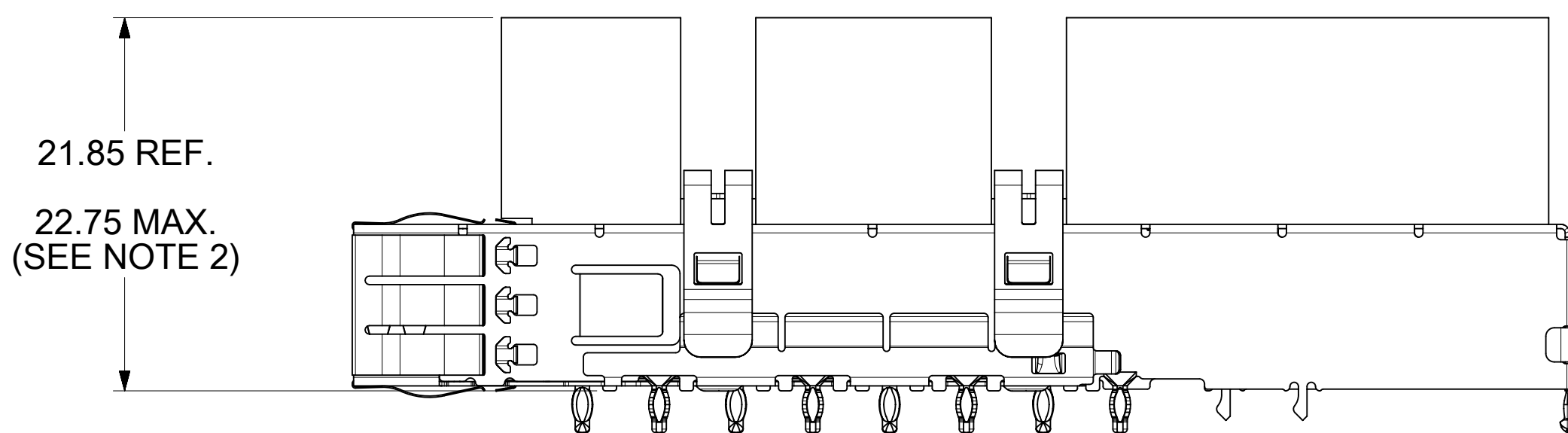
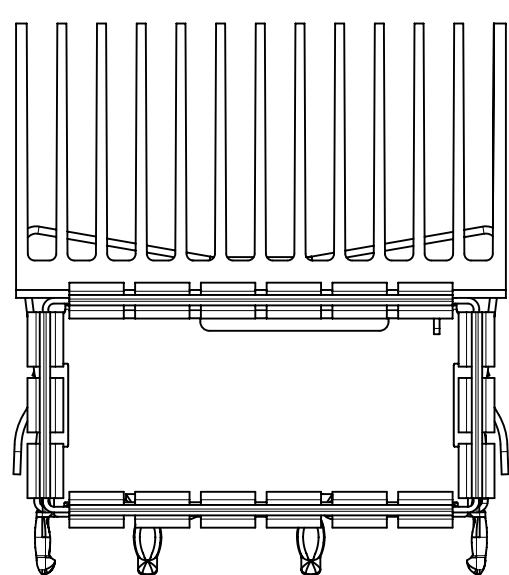
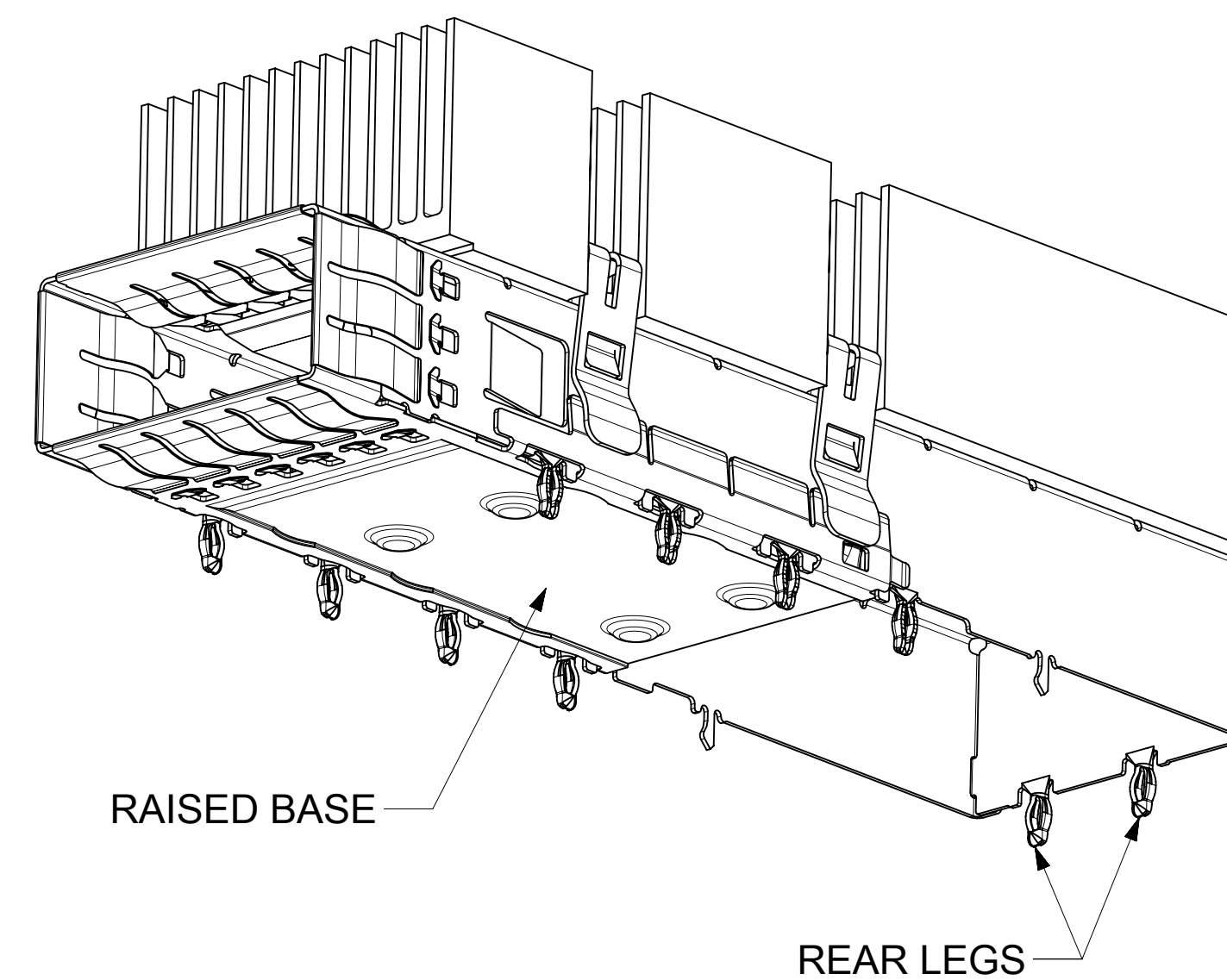
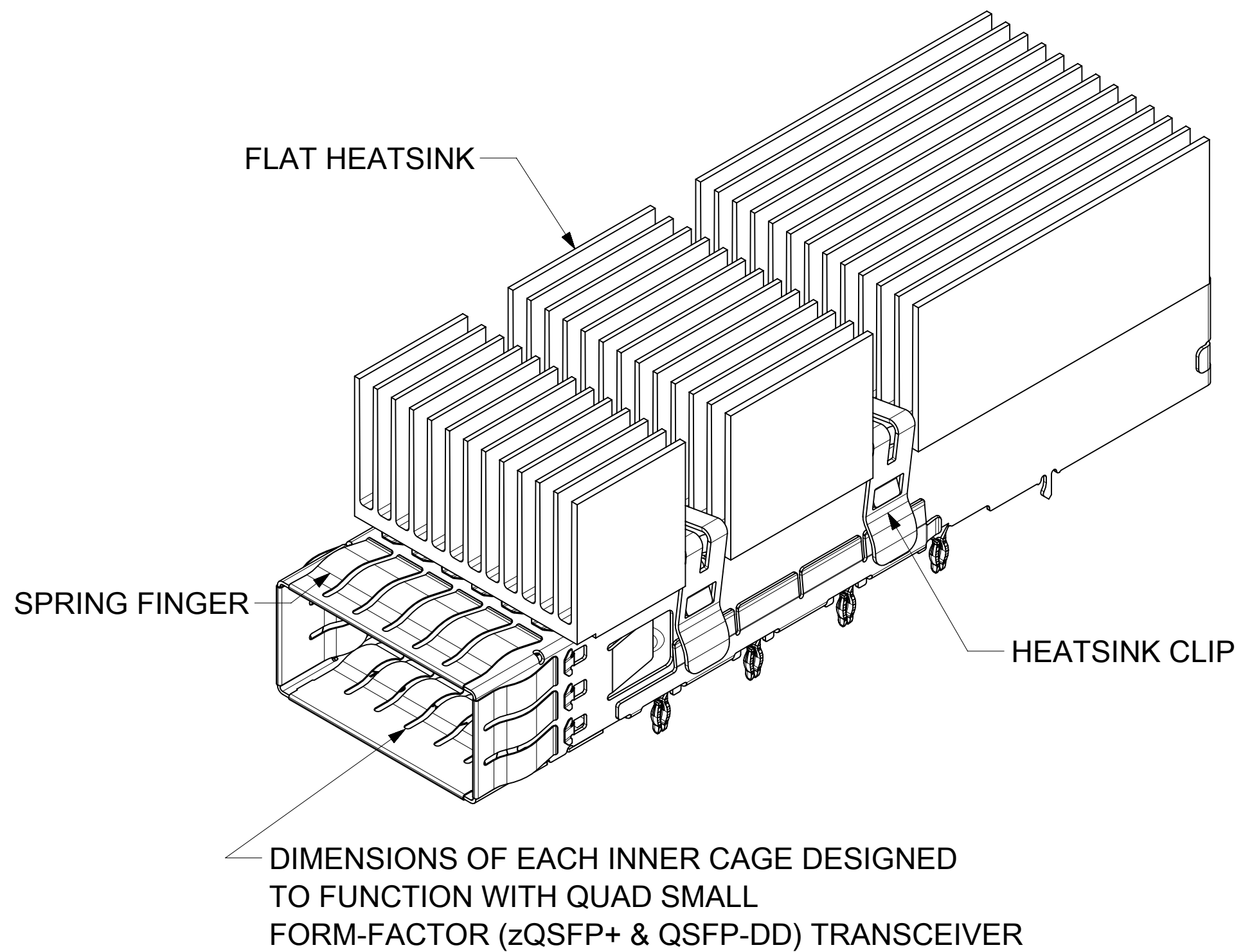
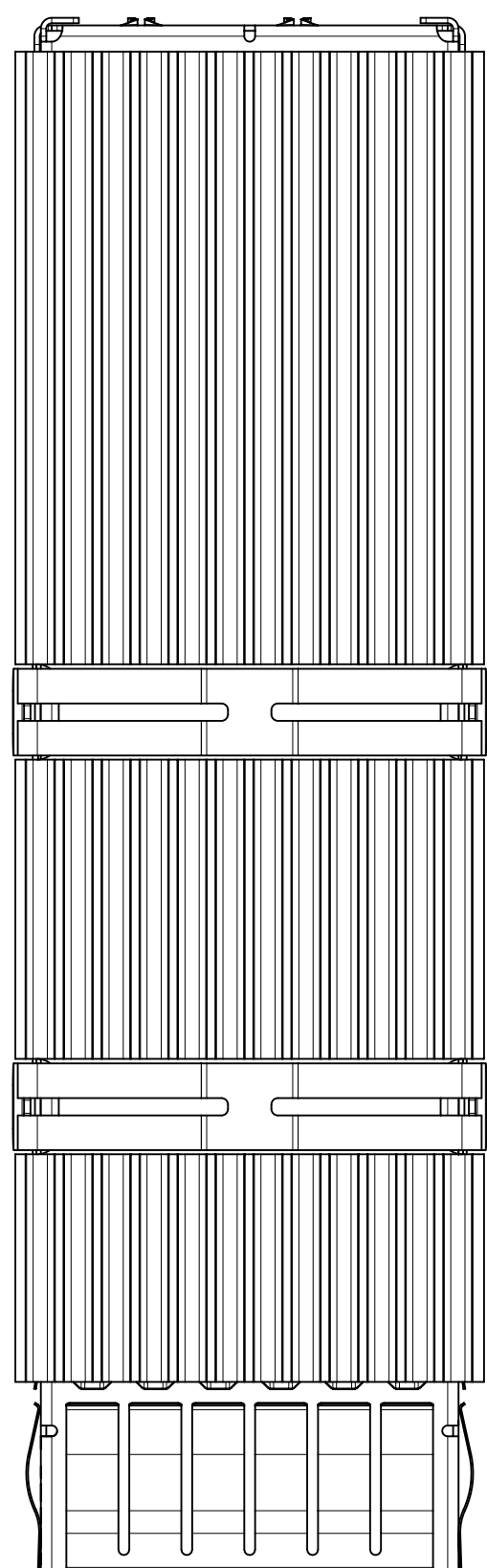
| MOLEX P/N | HEATSINK TYPE | SHEET NUMBER |
|------------|---------------|--------------|
| 2031431993 | ANGLED | 1 |
| 2031432067 | FLAT | 2 |
| 2031432089 | FLAT | 3 |

THIS DRAWING CONTAINS INFORMATION THAT IS PROPRIETARY TO MOLEX ELECTRONIC TECHNOLOGIES, LLC AND SHOULD NOT BE USED WITHOUT WRITTEN PERMISSION


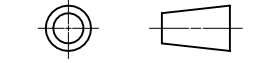
| | | | | | | | | |
|--|---------------------|--------------------------------------|---------------|--------------------------|-----------------|-----------------|---------------|--------------------------------------|
| DIMENSION UNITS mm | SCALE 3:1 | CURRENT REV DESC: SEE REVISION TABLE | | molex | | | | |
| GENERAL TOLERANCES (UNLESS SPECIFIED) | | EC NO: 697632 | | | | | | QSFP-DD 1X1 CAGE, OT, 2RL, W/O HOOKS |
| ANGULAR TOL ± 2.0° | 4 PLACES ± | DRWN: JYEN01 2022/03/01 | | PRODUCT CUSTOMER DRAWING | | | | |
| 3 PLACES ± 0.15 | 3 PLACES ± 0.15 | CHK'D: THSU02 2022/03/01 | | DOCUMENT NUMBER | | | | |
| 2 PLACES ± 0.15 | 2 PLACES ± 0.15 | APPR: SCHIEN 2022/03/09 | | 2031431993 | | DOC TYPE | DOC PART | REVISION |
| 1 PLACE ± 0.3 | 1 PLACE ± 0.3 | INITIAL REVISION: | | 2020/05/06 | | PSD | ASY | C |
| 0 PLACES ± 0.3 | 0 PLACES ± 0.3 | DRWN: JYEN01 2020/06/19 | | 2020/06/19 | | MATERIAL NUMBER | CUSTOMER | SHEET NUMBER |
| DRAFT WHERE APPLICABLE MUST REMAIN WITHIN DIMENSIONS | | THIRD ANGLE PROJECTION | DRAWING | SERIES | MATERIAL NUMBER | CUSTOMER | SHEET NUMBER | |
| | | | D-SIZE | 203143 | SEE P/N TABLE | | 1 OF 7 | |

CAGE DETAILS

2031432067

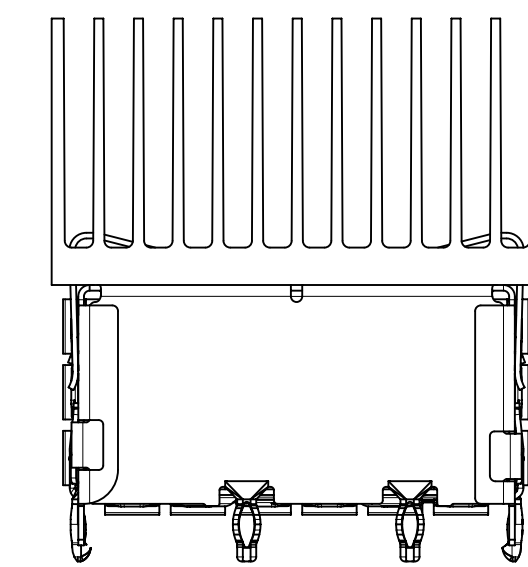
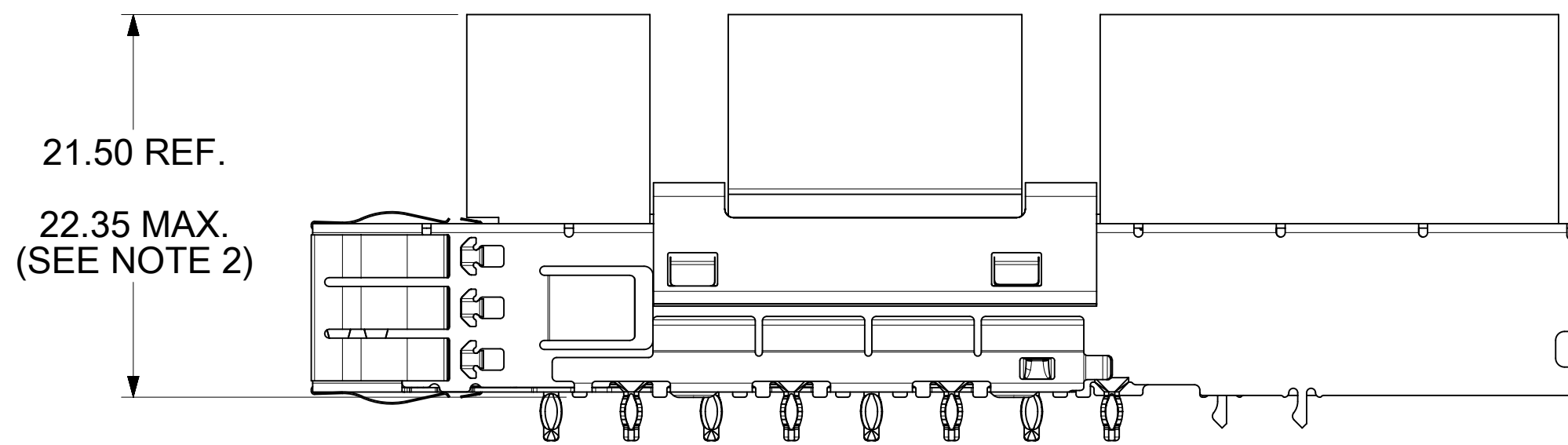
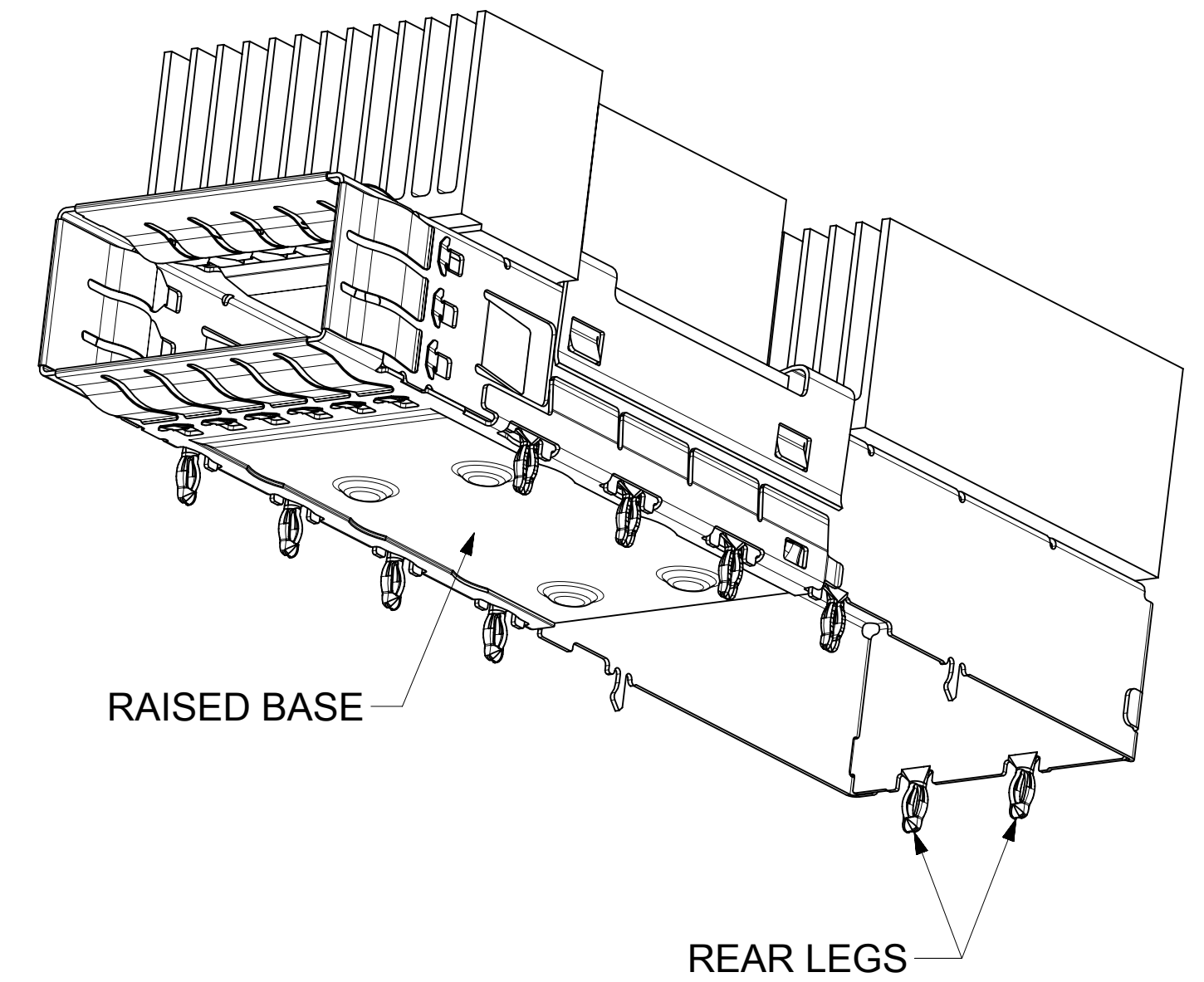
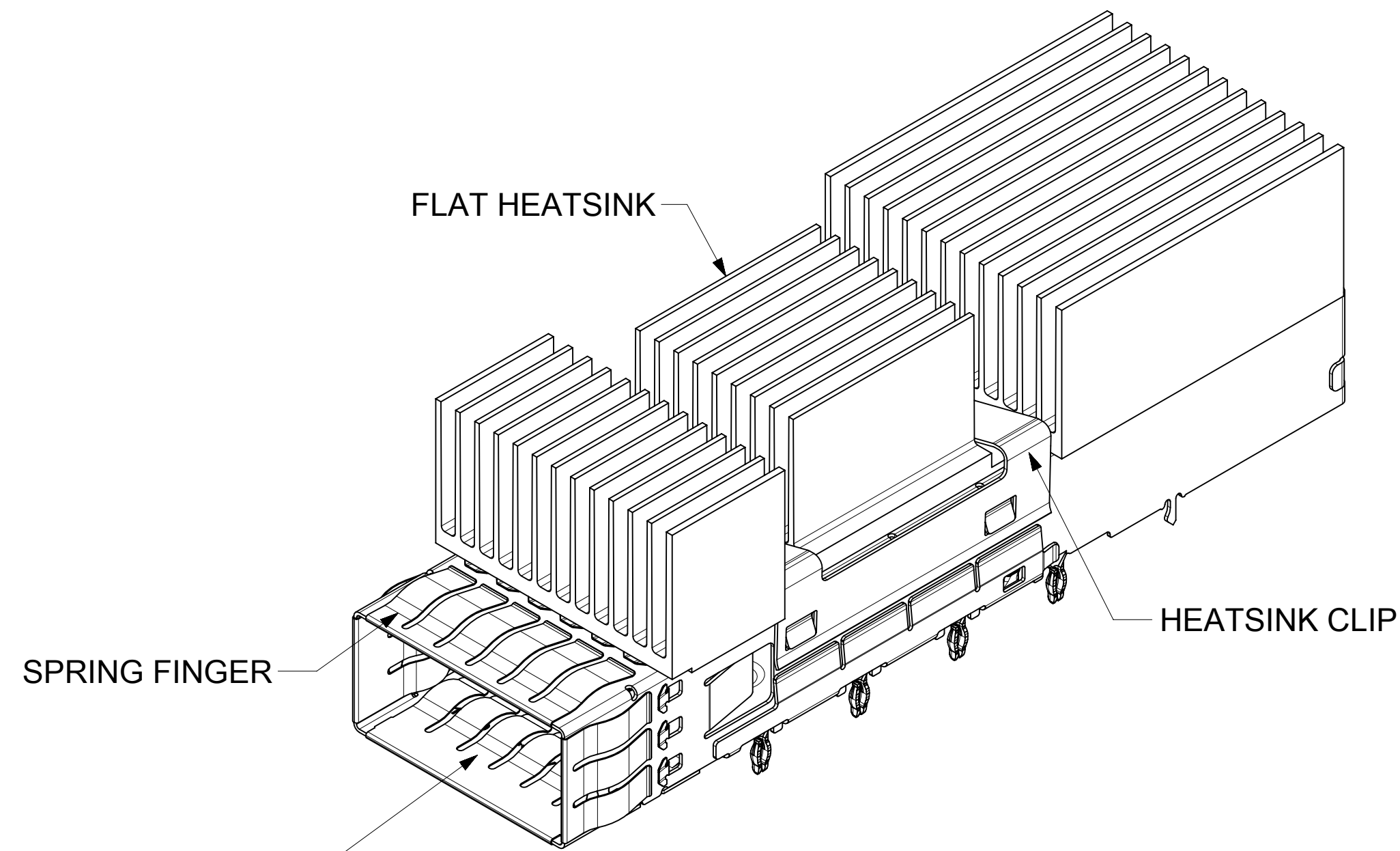
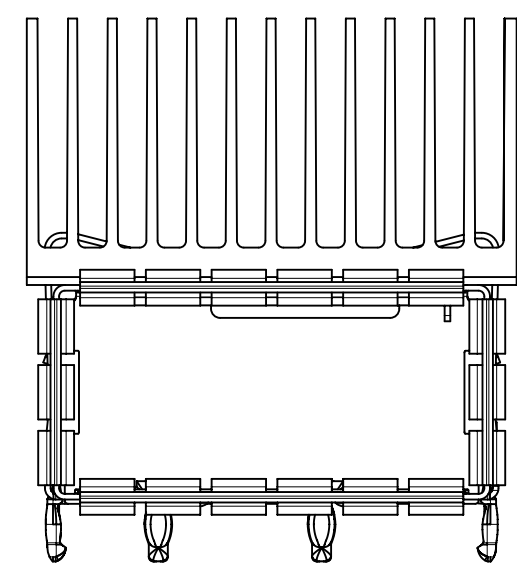
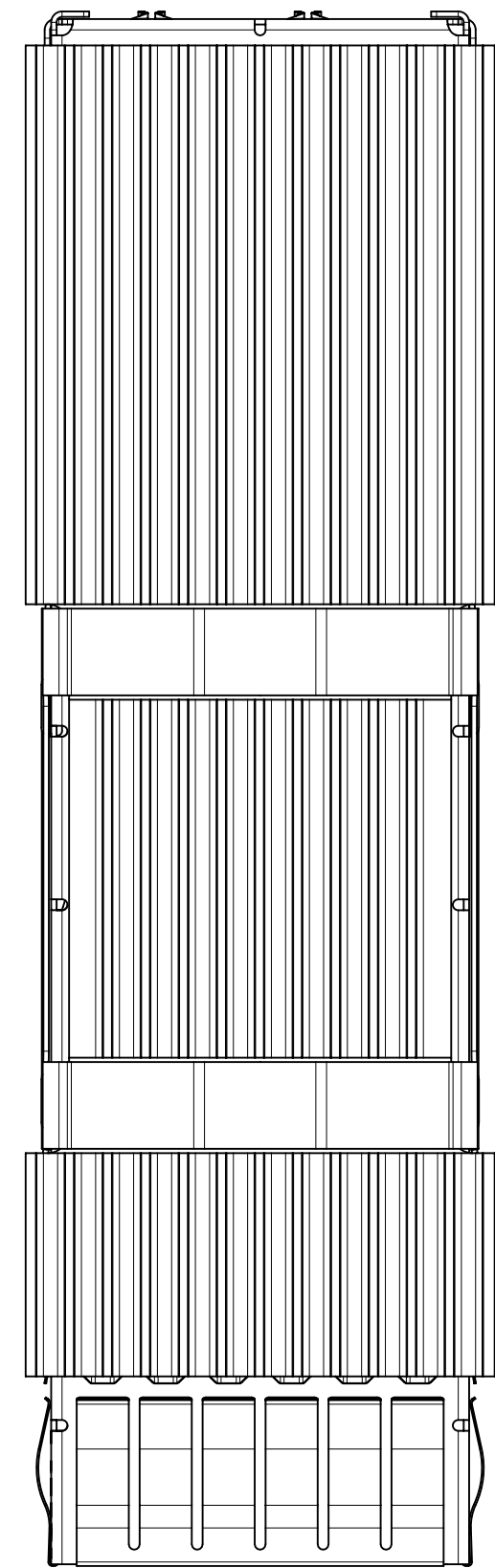


- NOTES:
- REFER SHEET 1 FOR COMMON DIMENSIONS.
 - HEIGHT OF HEATSINK WITH MODULE INSERTED, DIMENSION MAY BE LESS DUE TO MODULE AND HEATSINK VARIATIONS.


| | | | | | | | | | |
|---|--------|---|--------------|---------|------------|-----------------|----------|-----------------|----------|
| THIS DRAWING CONTAINS INFORMATION THAT IS PROPRIETARY TO MOLEX ELECTRONIC TECHNOLOGIES, LLC AND SHOULD NOT BE USED WITHOUT WRITTEN PERMISSION | | | | | | | | | |
| DIMENSION UNITS | SCALE | CURRENT REV DESC: SEE REVISION TABLE | | | | | | | |
| mm | 3:1 |  <p>QSFP-DD 1X1 CAGE, OT, 2RL, W/O HOOKS</p> <p>PRODUCT CUSTOMER DRAWING</p> | | | | | | | |
| GENERAL TOLERANCES (UNLESS SPECIFIED) | | | | | | | | | |
| ANGULAR TOL | ± 2.0° | | | | | | | | |
| 4 PLACES | ± | | | | | | | | |
| 3 PLACES | ± 0.15 | | | | | | | | |
| 2 PLACES | ± 0.15 | | | | | | | | |
| 1 PLACE | ± 0.3 | EC NO: 697632 | DRWN: JYEN01 | | 2022/03/01 | | | DOCUMENT NUMBER | |
| 0 PLACES | ± 0.3 | CHK'D: THSU02 | APPR: SCHIEN | | 2022/03/01 | | | 2031431993 | DOC TYPE |
| DRAFT WHERE APPLICABLE MUST REMAIN WITHIN DIMENSIONS | | THIRD ANGLE PROJECTION | | DRAWING | SERIES | MATERIAL NUMBER | CUSTOMER | PSD | DOC PART |
| | |  | | D-SIZE | 203143 | SEE P/N TABLE | | ASY | REVISION |
| | | | | | | | | C | 2 OF 7 |

CAGE DETAILS

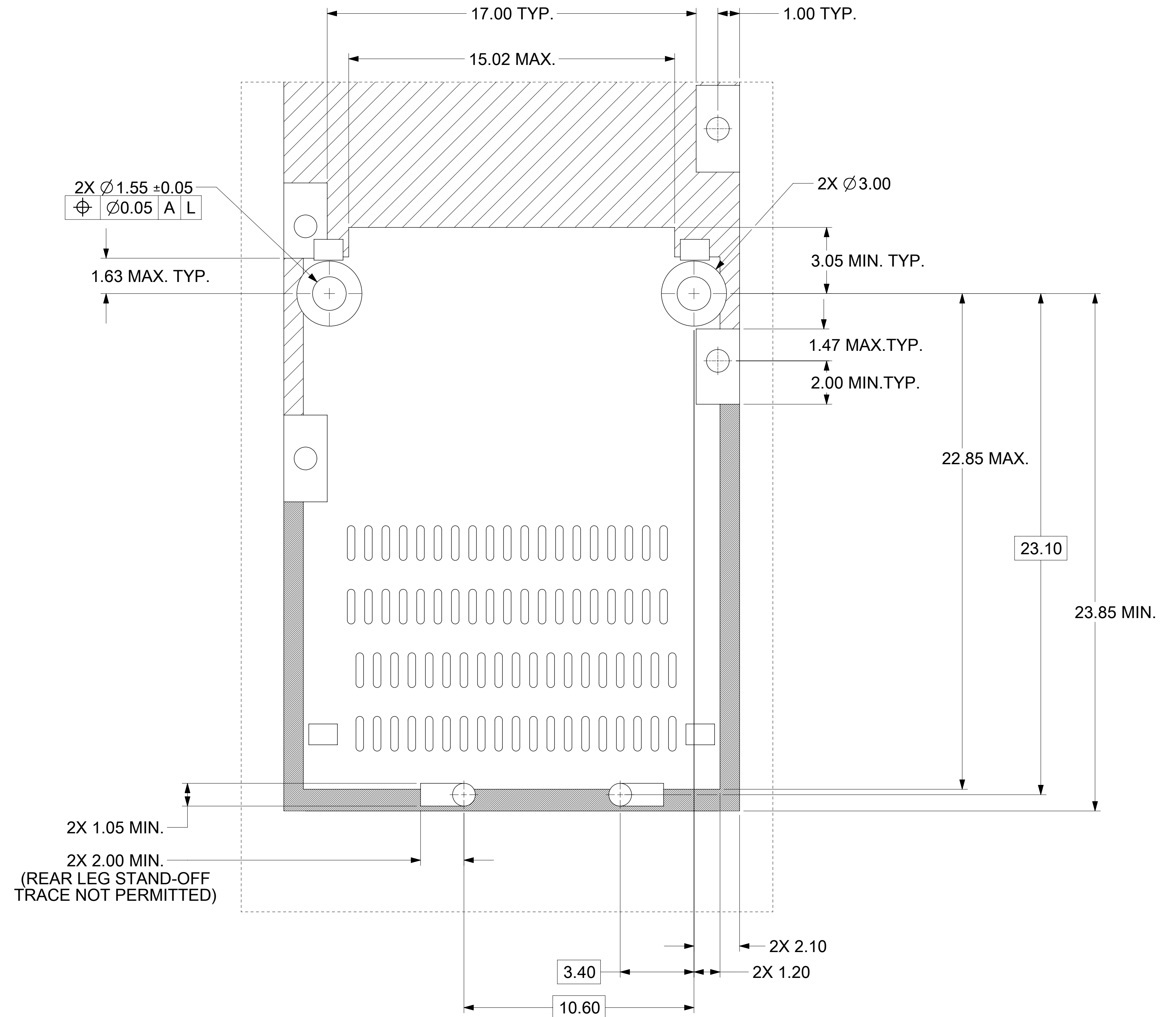
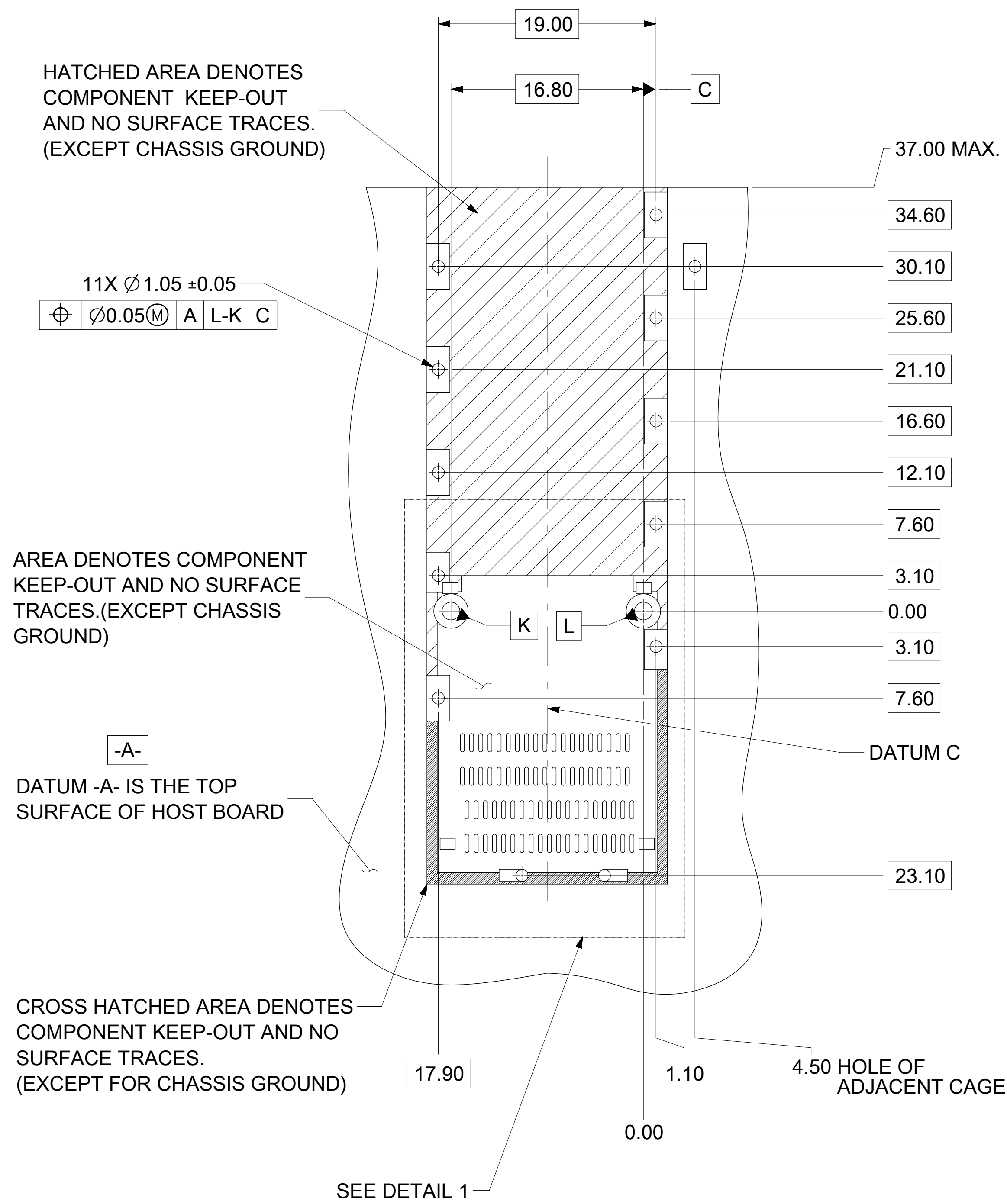
2031432089



- NOTES:
- REFER SHEET 1 FOR COMMON DIMENSIONS.
 - HEIGHT OF HEATSINK WITH MODULE INSERTED, DIMENSION MAY BE LESS DUE TO MODULE AND HEATSINK VARIATIONS.

| | | | | | | | | | |
|---|--------|---|------------|--|-----------------|----------|----------|----------|--------------|
| THIS DRAWING CONTAINS INFORMATION THAT IS PROPRIETARY TO MOLEX ELECTRONIC TECHNOLOGIES, LLC AND SHOULD NOT BE USED WITHOUT WRITTEN PERMISSION | | | | | | | | | |
| DIMENSION UNITS | SCALE | CURRENT REV DESC: SEE REVISION TABLE | | | | | | | |
| mm | 3:1 |  QSFP-DD 1X1 CAGE, OT, 2RL, W/O HOOKS PRODUCT CUSTOMER DRAWING | | | | | | | |
| GENERAL TOLERANCES (UNLESS SPECIFIED) | | | | | | | | | |
| ANGULAR TOL | ± 2.0° | | | | | | | | |
| 4 PLACES | ± | | | | | | | | |
| 3 PLACES | ± 0.15 | | | | | | | | |
| 2 PLACES | ± 0.15 | EC NO: 697632 | 2022/03/01 | | DOCUMENT NUMBER | DOC TYPE | DOC PART | REVISION | |
| 1 PLACE | ± 0.3 | DRWN: JYEN01 | 2022/03/01 | | 2031431993 | PSD | ASY | C | |
| 0 PLACES | ± 0.3 | CHK'D: THSU02 | 2022/03/01 | | | | | | |
| DRAFT WHERE APPLICABLE MUST REMAIN WITHIN DIMENSIONS | | APPR: SCHIEN | 2022/03/09 | | MATERIAL NUMBER | | CUSTOMER | | SHEET NUMBER |
| THIRD ANGLE PROJECTION | | DRWN: JYEN01 | 2020/05/06 | | SEE P/N TABLE | | | | 3 OF 7 |
| DRAWING | | APPR: JCHIANG | 2020/06/19 | | SERIES | | | | |
| D-SIZE | | 203143 | | | | | | | |

PCB LAYOUT FOR SINGLE SIDED MOUNTING

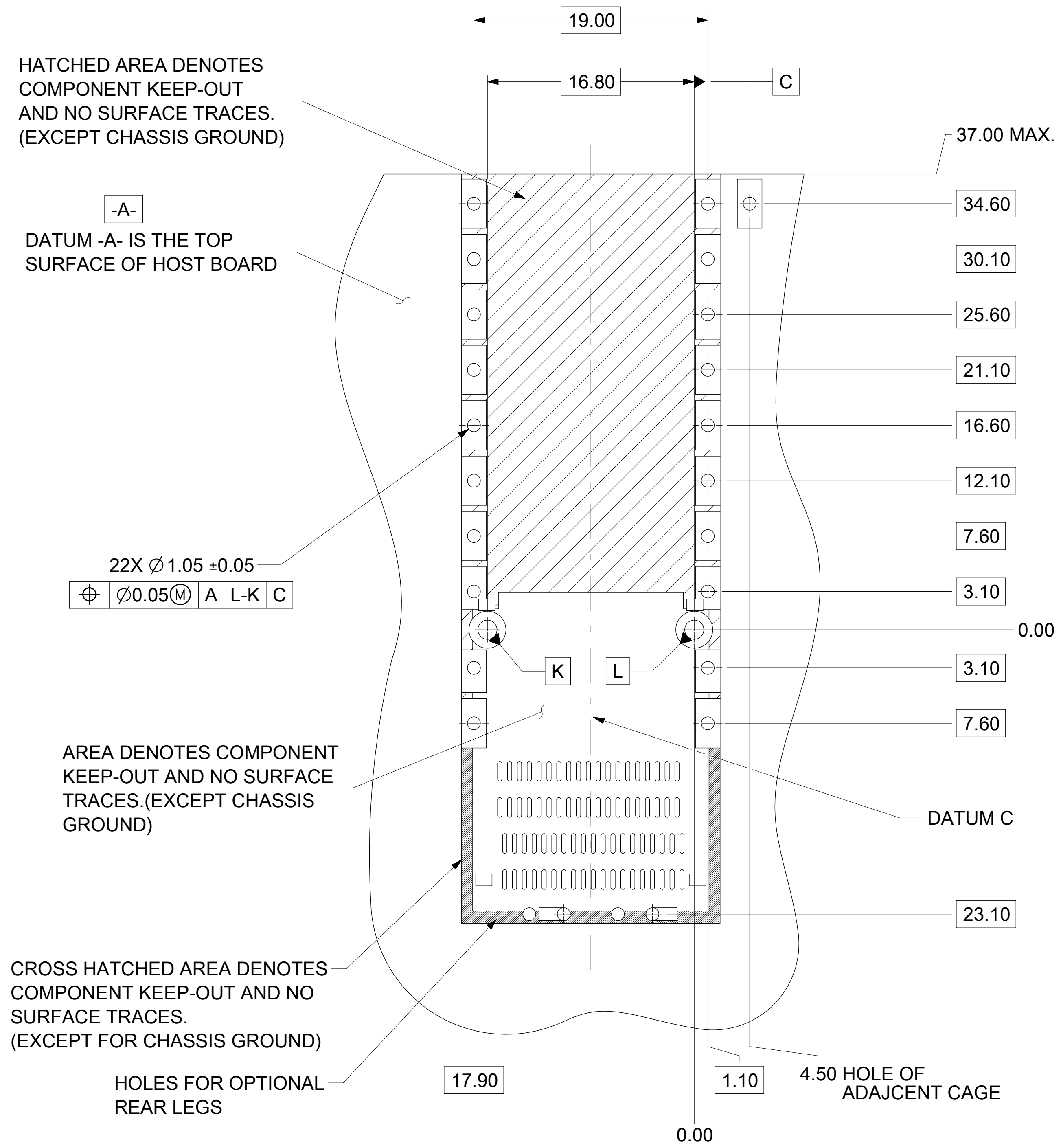


DETAIL 1
SCALE 8:1

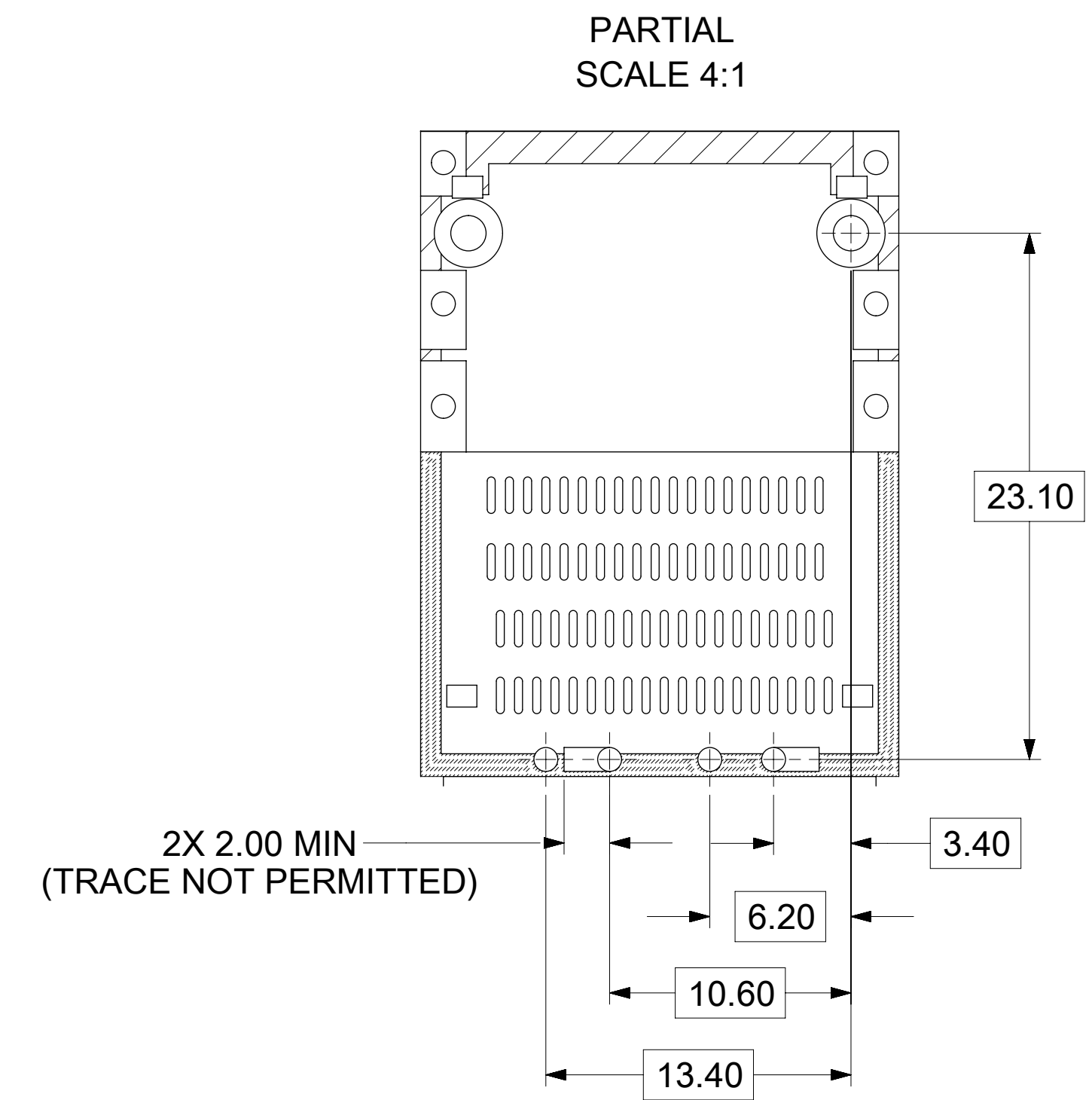
- NOTES:
1. PADS AND VIAS GO TO CHASSIS GROUND. (RECOMMENDED PADS TO BE 2.00x4.00mm RECTANGLE.)
 2. RECOMMENDED THRU HOLE PLATING INCLUDES HASL, OSP, OR IMMERSION (GOLD, SILVER, OR TIN).
 3. CONNECTOR PAD LAYOUT PER QSFP-DD MSA WILL ACCOMMODATE MOLEX CONNECTOR SERIES 202718.

| | | | | | | | | | | | |
|---|--|-------|--|---|--|--|--|--|--|--|--|
| THIS DRAWING CONTAINS INFORMATION THAT IS PROPRIETARY TO MOLEX ELECTRONIC TECHNOLOGIES, LLC AND SHOULD NOT BE USED WITHOUT WRITTEN PERMISSION | | | | | | | | | | | |
| DIMENSION UNITS | | SCALE | | CURRENT REV DESC: SEE REVISION TABLE | | | | | | | |
| mm | | 3.5:1 | | <p>molex</p> <p>QSFP-DD 1X1 CAGE, OT, 2RL, W/O HOOKS</p> <p>PRODUCT CUSTOMER DRAWING</p> <p>DOCUMENT NUMBER: 2031431993 DOC TYPE: PSD DOC PART: ASY REVISION: C</p> <p>EC NO: 697632 DRWN: JYEN01 2022/03/01</p> <p>CHK'D: THSU02 2022/03/01</p> <p>APPR: SCHIEN 2022/03/09</p> <p>INITIAL REVISION:</p> <p>DRWN: JYEN01 2020/05/06</p> <p>APPR: JCHIANG 2020/06/19</p> <p>DRAFT WHERE APPLICABLE THIRD ANGLE PROJECTION DRAWING SERIES MATERIAL NUMBER CUSTOMER SHEET NUMBER</p> <p>MUST REMAIN WITHIN DIMENSIONS D-SIZE 203143 SEE P/N TABLE 4 OF 7</p> | | | | | | | |
| GENERAL TOLERANCES (UNLESS SPECIFIED) | | | | | | | | | | | |
| ANGULAR TOL ± 2.0° | | | | | | | | | | | |
| 4 PLACES ± | | | | | | | | | | | |
| 3 PLACES ± 0.15 | | | | | | | | | | | |
| 2 PLACES ± 0.15 | | | | | | | | | | | |
| 1 PLACE ± 0.3 | | | | | | | | | | | |
| 0 PLACES ± 0.3 | | | | | | | | | | | |

PCB LAYOUT FOR BELLY TO BELLY MOUNTING



NOTE:
SEE SHEET 4 FOR
HOST CONNECTOR DETAIL

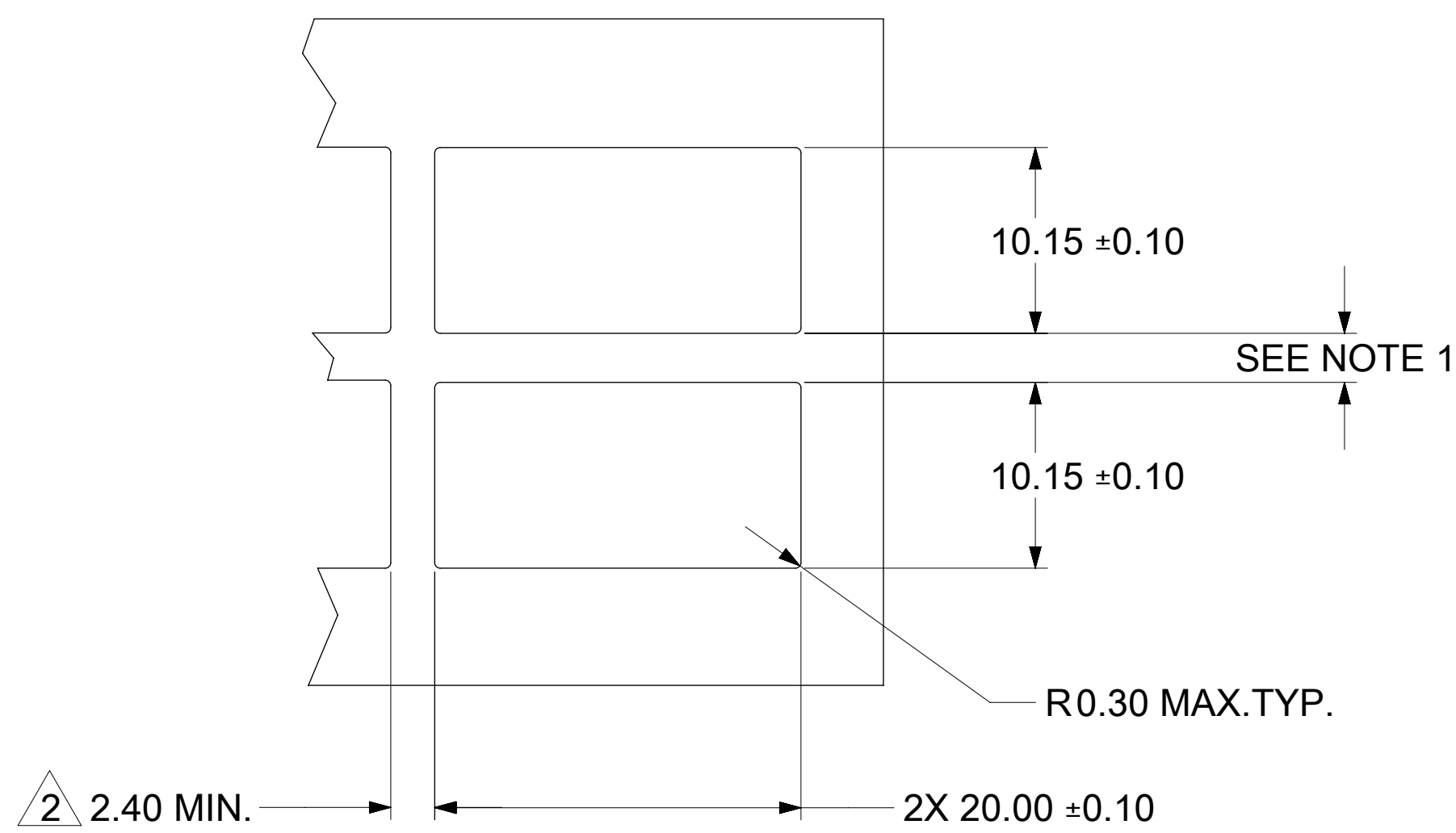
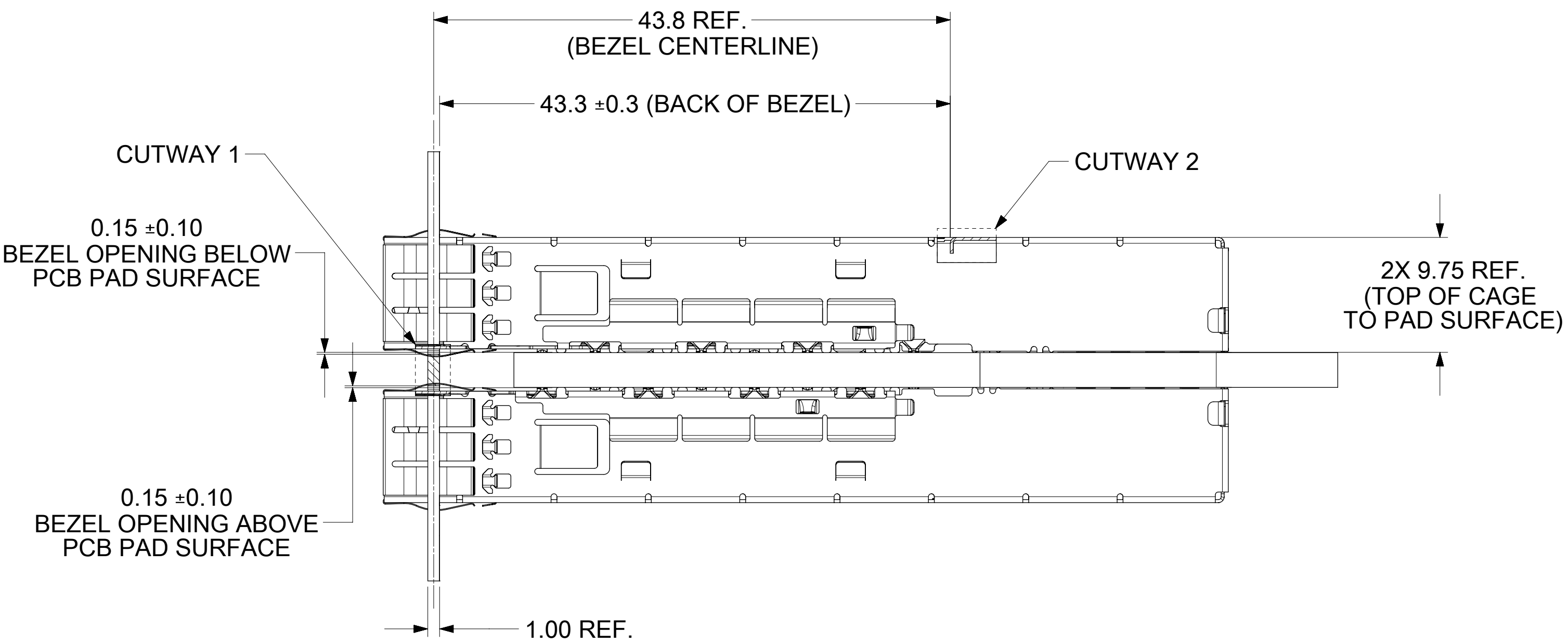


NOTES:

1. PADS AND VIAS GO TO CHASSIS GROUND. (RECOMMENDED PADS TO BE 2.00x4.00mm RECTANGLE.)
2. RECOMMENDED THRU HOLE PLATING INCLUDES HASL, OSP, OR IMMERSION (GOLD, SILVER, OR TIN).
3. CONNECTOR PAD LAYOUT PER QSFP-DD WILL ACCOMMODATE MOLEX CONNECTOR SERIES 202718.

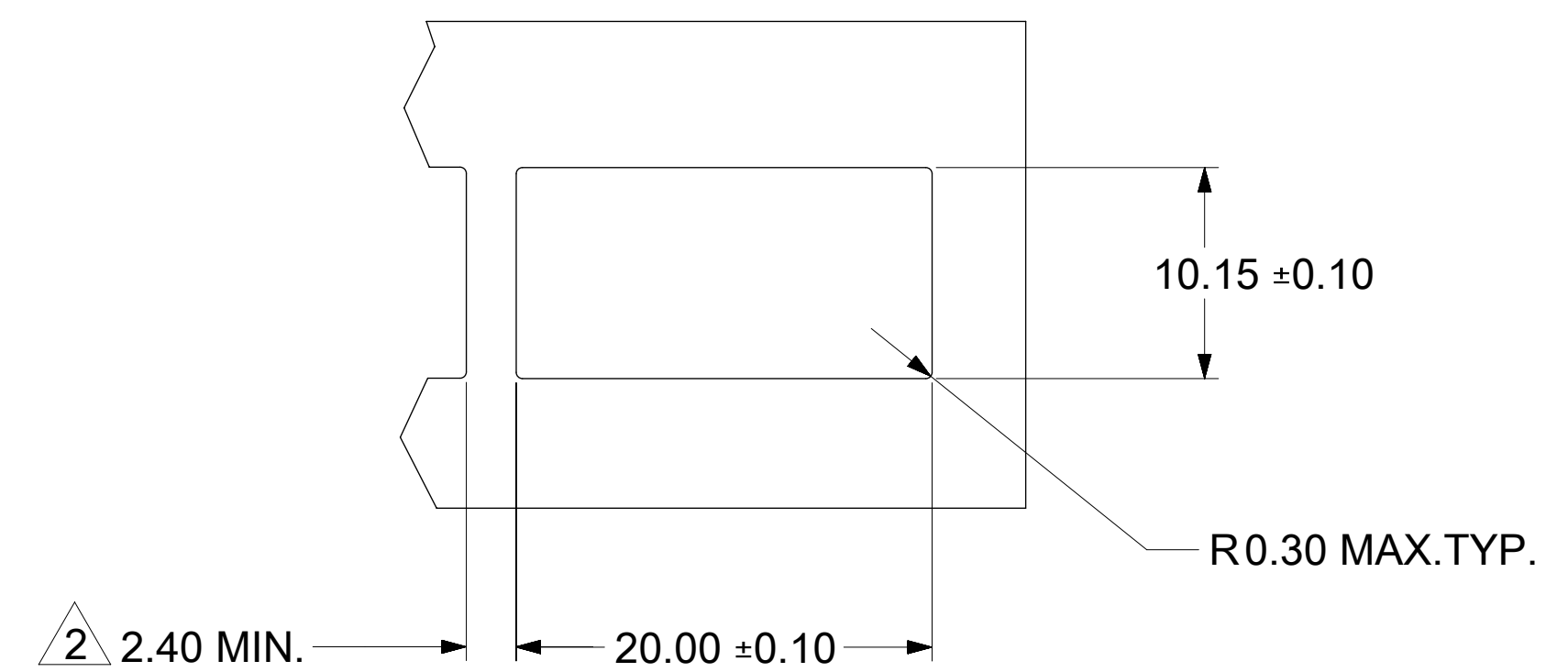
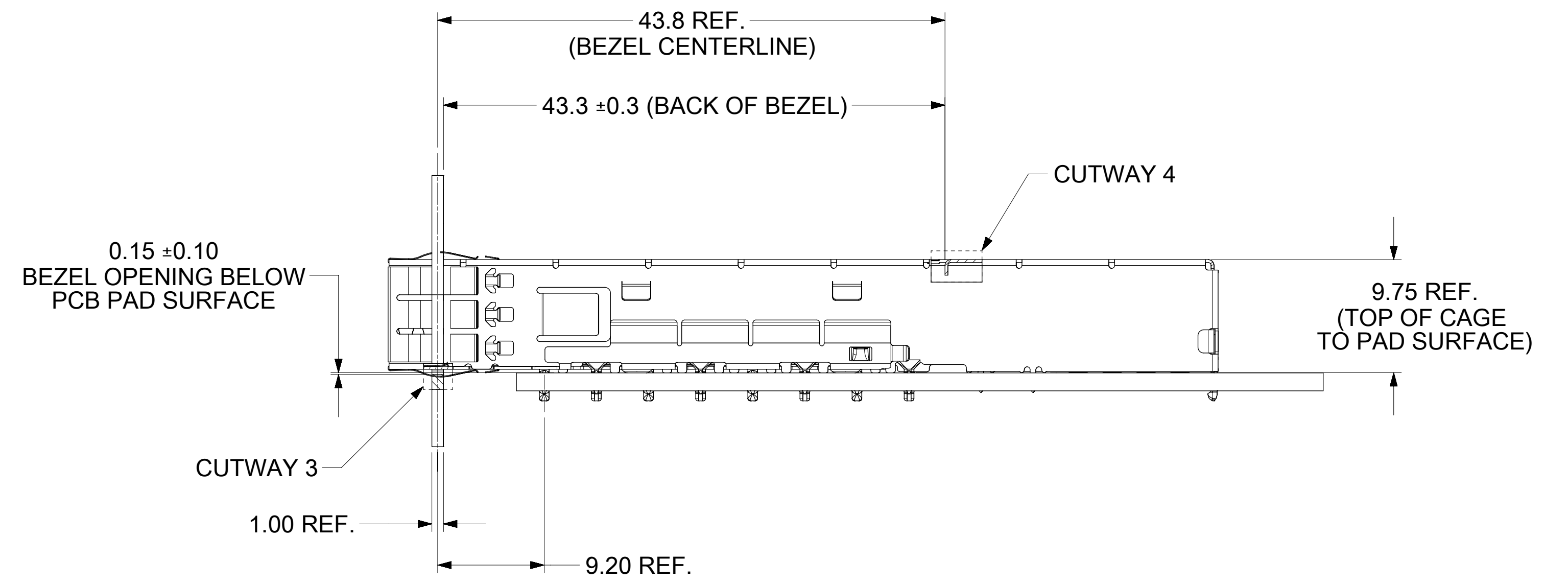
| | | | | | | | | | |
|---|--------|---|------------|--|-----------------|--|----------|----------|--------------|
| THIS DRAWING CONTAINS INFORMATION THAT IS PROPRIETARY TO MOLEX ELECTRONIC TECHNOLOGIES, LLC AND SHOULD NOT BE USED WITHOUT WRITTEN PERMISSION | | | | | | | | | |
| DIMENSION UNITS | SCALE | CURRENT REV DESC: SEE REVISION TABLE | | | | | | | |
| mm | 4:1 | <p>QSFP-DD 1X1 CAGE, OT, 2RL, W/O HOOKS</p> <p>PRODUCT CUSTOMER DRAWING</p> | | | | | | | |
| GENERAL TOLERANCES (UNLESS SPECIFIED) | | | | | | | | | |
| ANGULAR TOL | ± 2.0° | | | | | | | | |
| 4 PLACES | ± | | | | | | | | |
| 3 PLACES | ± 0.15 | | | | | | | | |
| 2 PLACES | ± 0.15 | EC NO: 697632 | 2022/03/01 | | DOCUMENT NUMBER | | DOC TYPE | DOC PART | REVISION |
| 1 PLACE | ± 0.3 | DRWN: JYEN01 | 2020/05/06 | | 2031431993 | | PSD | ASY | C |
| 0 PLACES | ± 0.3 | CHK'D: THSU02 | 2022/03/01 | | SEE P/N TABLE | | | | |
| DRAFT WHERE APPLICABLE MUST REMAIN WITHIN DIMENSIONS | | APPR: SCHIEN | 2022/03/09 | | SERIES | | CUSTOMER | | SHEET NUMBER |
| THIRD ANGLE PROJECTION | | DRWN: JYEN01 | 2020/06/19 | | D-SIZE 203143 | | | | 5 OF 7 |
| | | APPR: JCHIANG | | | | | | | |

BEZEL AND BOARD POSITION DIMENSIONS
FOR BELLY TO BELLY MOUNTING
(HEATSINKS WERE HIDDEN FOR CLEAR VIEW)



- NOTES:
1. PCB THICKNESS VARIATION MUST BE CONSIDERED WHEN DETERMINING BEZEL OPENING LOCATION.
 2. THIS DIMENSION IS FOR REFERENCE ONLY. USER CAN MODIFY IT DEPENDS ON APPLICATION.
(THIS DIMENSION VARIES BASED ON DISTANCE OF "HOLE OF ADJACENT CAGE" ON PCB LAYOUT.)

BEZEL AND BOARD POSITION DIMENSIONS
FOR SINGLE SIDE MOUNTING
(HEATSINK WAS HIDDEN FOR CLEAR VIEW)



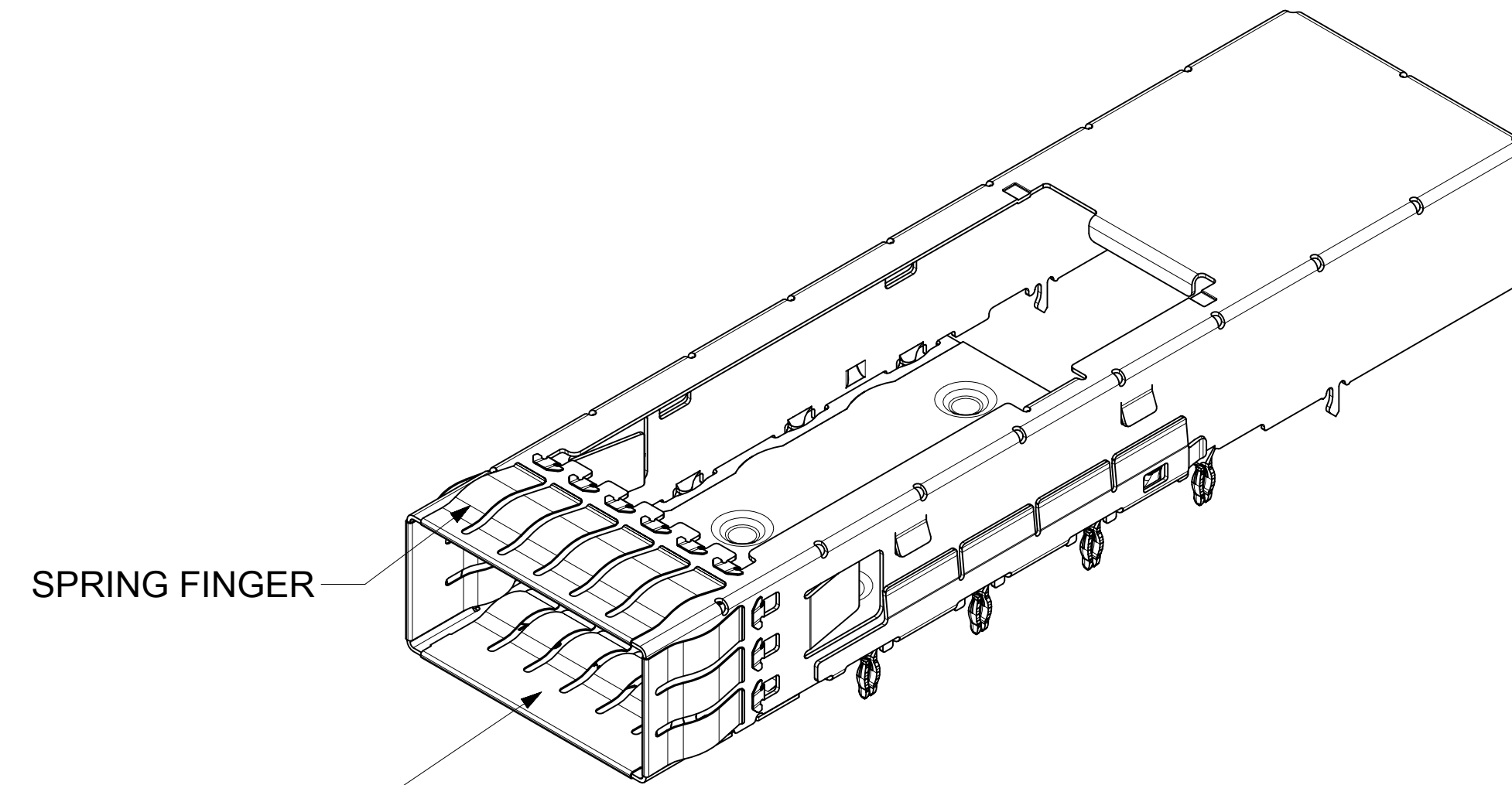
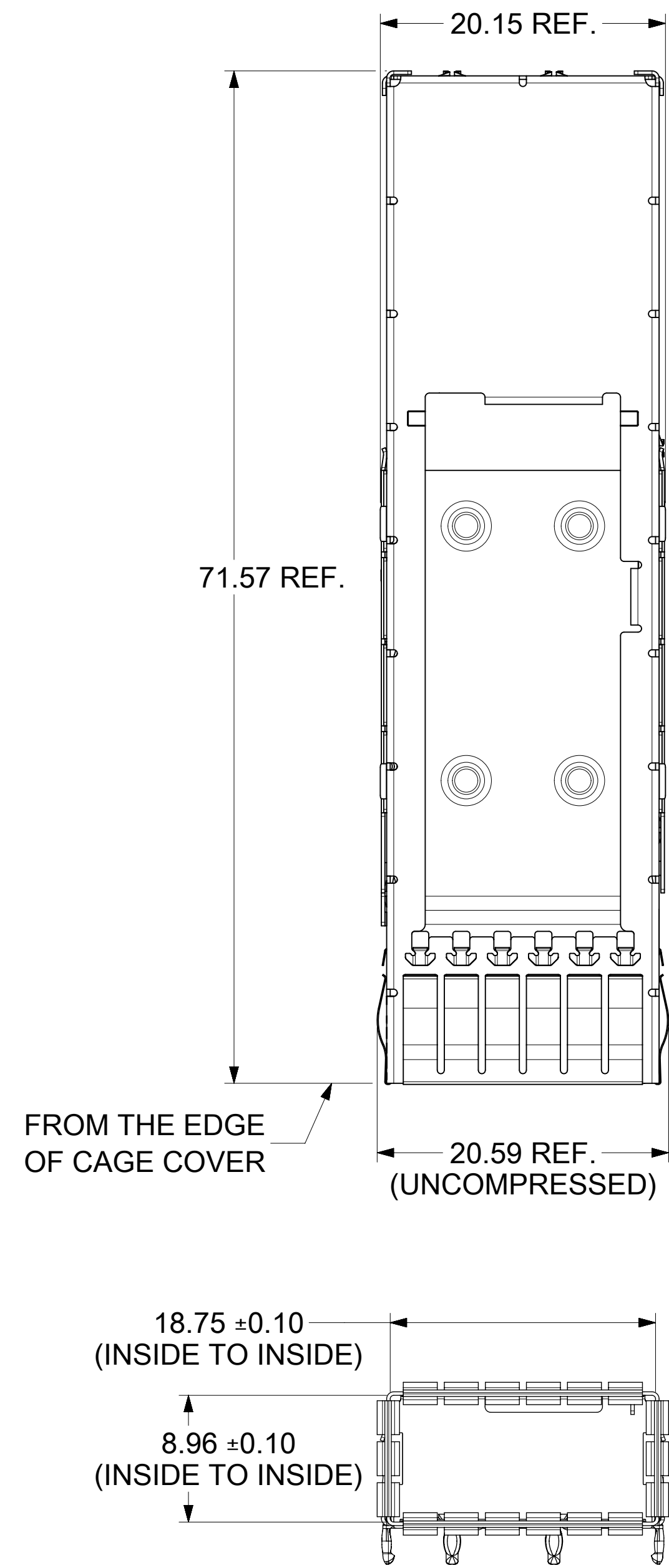
| | | | | | | | | | |
|---|--------|---|------------|-------------------|---------------|----------|--------------|--|--|
| THIS DRAWING CONTAINS INFORMATION THAT IS PROPRIETARY TO MOLEX ELECTRONIC TECHNOLOGIES, LLC AND SHOULD NOT BE USED WITHOUT WRITTEN PERMISSION | | | | | | | | | |
| DIMENSION UNITS | SCALE | CURRENT REV DESC: SEE REVISION TABLE | | | | | | | |
| mm | 3:1 | <div style="text-align: center;">molex</div> <p>QSFP-DD 1X1 CAGE, OT, 2RL, W/O HOOKS</p> <p>PRODUCT CUSTOMER DRAWING</p> | | | | | | | |
| GENERAL TOLERANCES (UNLESS SPECIFIED) | | | | | | | | | |
| ANGULAR TOL | ± 2.0° | | | | | | | | |
| 4 PLACES | ± | | | | | | | | |
| 3 PLACES | ± 0.15 | | | | | | | | |
| 2 PLACES | ± 0.15 | EC NO: 697632 | 2022/03/01 | DOCUMENT NUMBER | DOC TYPE | DOC PART | REVISION | | |
| 1 PLACE | ± 0.3 | DRWN: JYEN01 | 2022/03/01 | 2031431993 | PSD | ASY | C | | |
| 0 PLACES | ± 0.3 | CHK'D: THSU02 | 2022/03/09 | INITIAL REVISION: | | | | | |
| | | APPR: SCHIEN | 2022/03/09 | DRWN: JYEN01 | 2020/05/06 | | | | |
| | | APPR: JCHIANG | 2020/06/19 | MATERIAL NUMBER | CUSTOMER | | | | |
| DRAFT WHERE APPLICABLE MUST REMAIN WITHIN DIMENSIONS | | THIRD ANGLE PROJECTION | DRAWING | SERIES | SEE P/N TABLE | | SHEET NUMBER | | |
| | | | D-SIZE | 203143 | | | 6 OF 7 | | |

| REV | DATE | DESCRIPTION |
|-----|------------|--|
| A | 2020/06/08 | INITIAL RELEASE |
| A1 | 2021/07/07 | SHEET 2 : ADDED A NEW PART NUMBER - 2031432067 |
| A2 | 2021/11/12 | SHEET 2 : C04 : ADDED 2031432089 |
| B | 2022/2/24 | SHEET 3 : CHANGED CLIP, AND MODIFIED HEATSINK SHAPE TO ACCOMMODATE SINGLE PIECE CLIP |
| C | 2022/3/1 | SHEET 3 : REMOVED FIRST AND LAST FIN FROM MID SECTION OF HEATSINK. |
| | | |
| | | |
| | | |
| | | |
| | | |
| | | |
| | | |
| | | |
| | | |

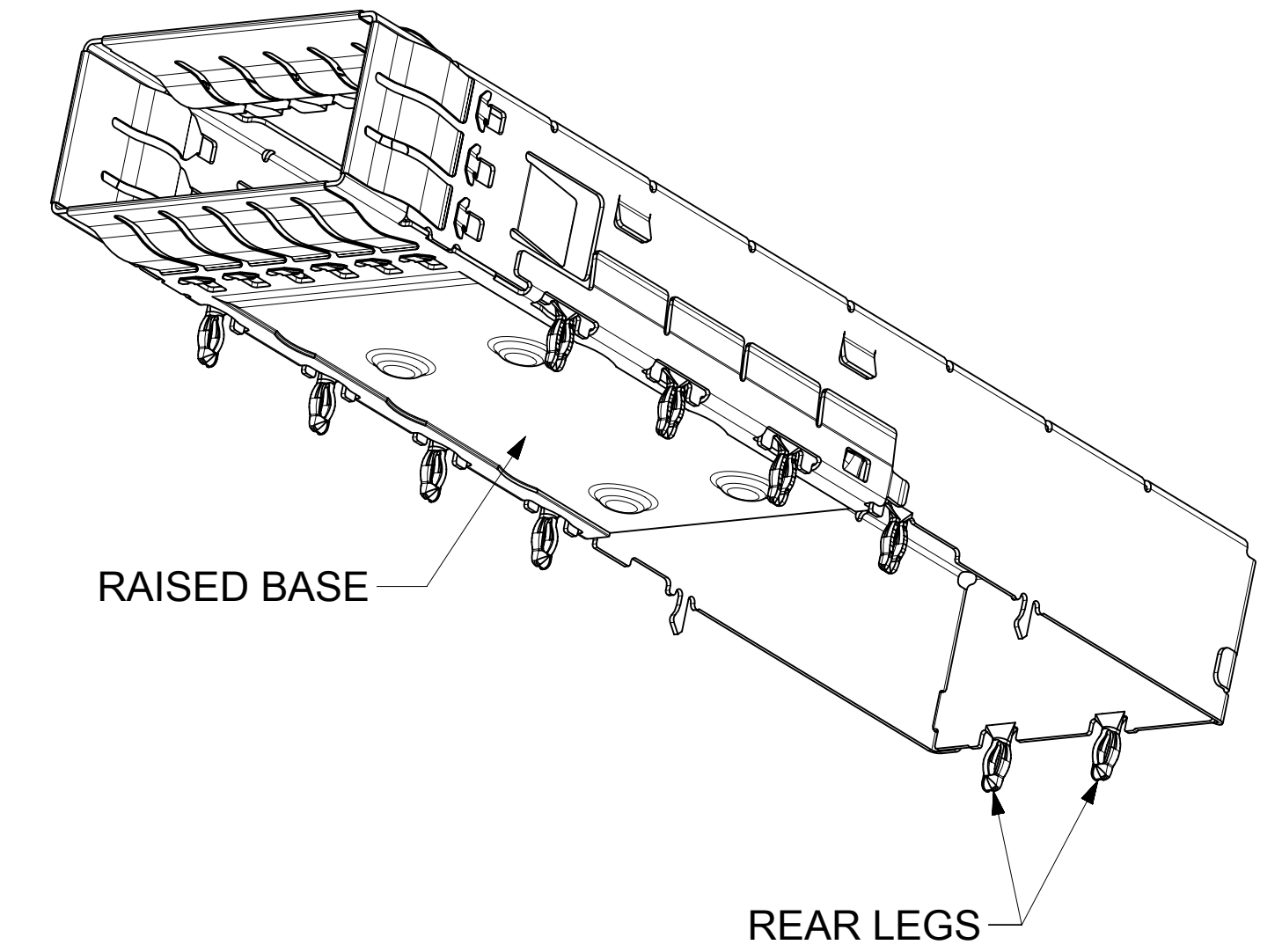
| | | | | | | | | | | |
|---|-------|--------------------------------------|---------|--------|--------------------------------------|----------|-----|--------------|---|----------|
| THIS DRAWING CONTAINS INFORMATION THAT IS PROPRIETARY TO MOLEX ELECTRONIC TECHNOLOGIES, LLC AND SHOULD NOT BE USED WITHOUT WRITTEN PERMISSION | | | | | | | | | | |
| DIMENSION UNITS | SCALE | CURRENT REV DESC: SEE REVISION TABLE | | | molex | | | | | |
| mm | 1:1 | | | | | | | | | |
| GENERAL TOLERANCES (UNLESS SPECIFIED) | | EC NO: 697632 | | | QSFP-DD 1X1 CAGE, OT, 2RL, W/O HOOKS | | | | | |
| ANGULAR TOL ± 2.0° | | DRWN: JYEN01 2022/03/01 | | | PRODUCT CUSTOMER DRAWING | | | | | |
| 4 PLACES ± | | CHK'D: THSU02 2022/03/01 | | | DOCUMENT NUMBER | | | | | |
| 3 PLACES ± 0.15 | | APPR: SCHIEN 2022/03/09 | | | 2031431993 | | PSD | ASY | C | REVISION |
| 2 PLACES ± 0.15 | | INITIAL REVISION: | | | | | | | | |
| 1 PLACE ± 0.3 | | DRWN: JYEN01 2020/05/06 | | | | | | | | |
| 0 PLACES ± 0.3 | | APPR: JCHIANG 2020/06/19 | | | | | | | | |
| DRAFT WHERE APPLICABLE MUST REMAIN WITHIN DIMENSIONS | | THIRD ANGLE PROJECTION | DRAWING | SERIES | MATERIAL NUMBER | CUSTOMER | | SHEET NUMBER | | |
| | | | D-SIZE | 203143 | SEE P/N TABLE | | | 7 OF 7 | | |

CAGE DETAILS

2031433256

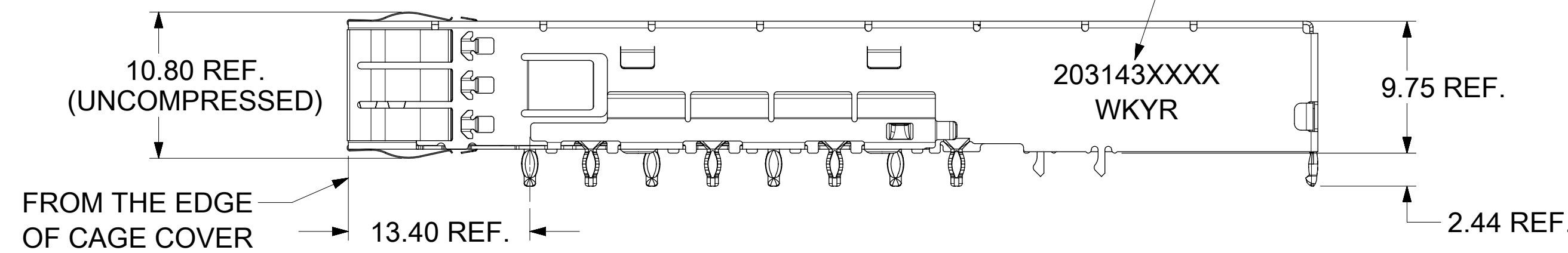


DIMENSIONS OF EACH INNER CAGE DESIGNED TO FUNCTION WITH QUAD SMALL FORM-FACTOR (zQSFP+ & QSFP-DD) TRANSCEIVER



P/N AND WEEK/YEAR DATE CODE TO BE PRINTED ON SIDE OF COMPLETED CAGE ASSEMBLY APPROXIMATELY AS SHOWN. SEE TABLE BELOW FOR DATE CODE INFORMATION.

| WEEK/YEAR DATE CODE TABLE | |
|---------------------------|--|
| WK | WEEK OF THE YEAR 01 THRU 52 OR 53 (EXAMPLE: 01= FIRST WEEK OF YEAR, 52 OR 53 = LAST WEEK OF YEAR) |
| YR | 21, 22, 23 ETC.. (EXAMPLE: YEAR 2021= 21) |



| FINAL ASSEMBLY P/N | COMPONENT P/N | DESCRIPTION | QTY. | SHEET |
|--------------------|---------------|---|------|-------|
| 2031432089 | 2031433256 | QSFP-DD 1X1 CAGE ASSEMBLY WITH 2 REAR LEG | 1 | 1 |
| | 2033730161 | QSFP-DD HEATSINK CLIP | 1 | 2 |
| | 2033732115 | QSFP-DD HEATSINK | 1 | 2 |

NOTES:

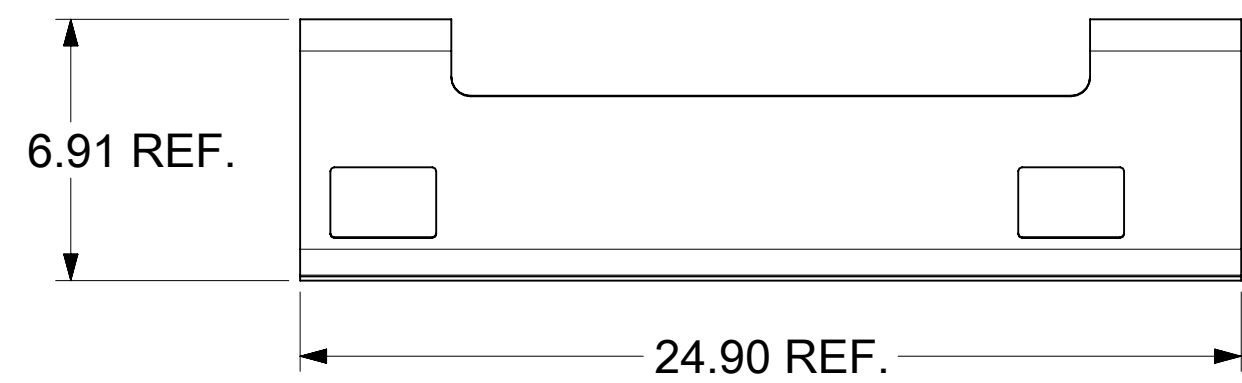
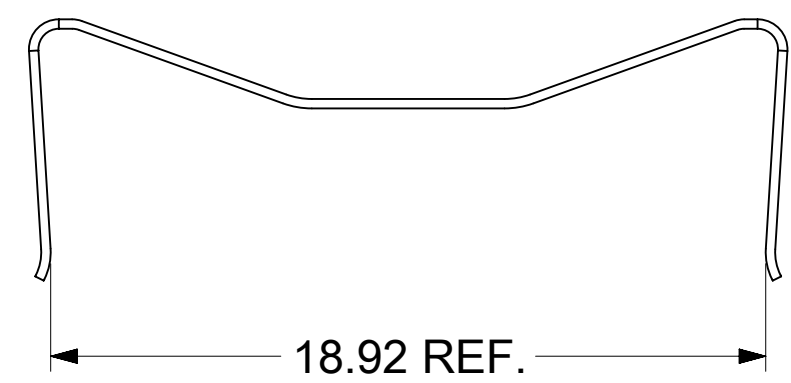
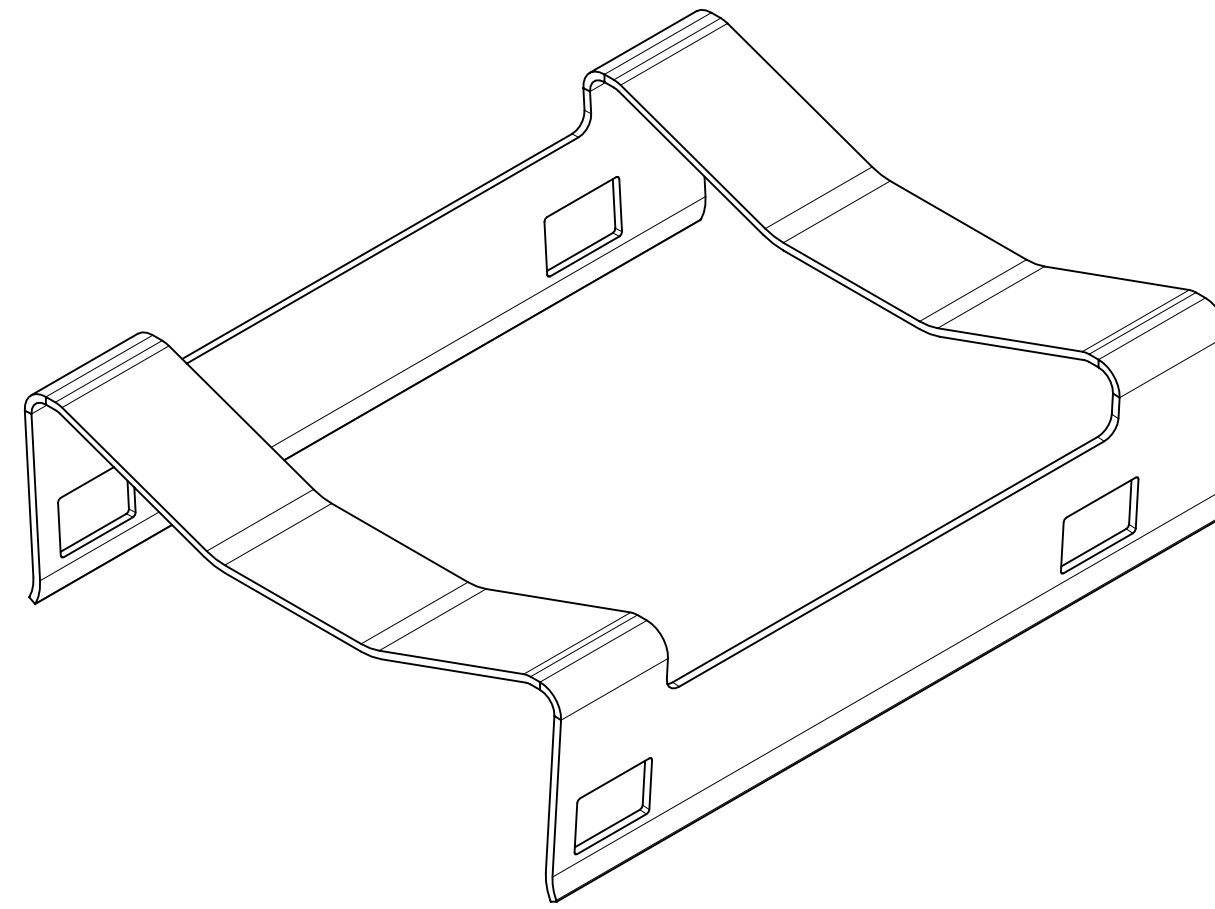
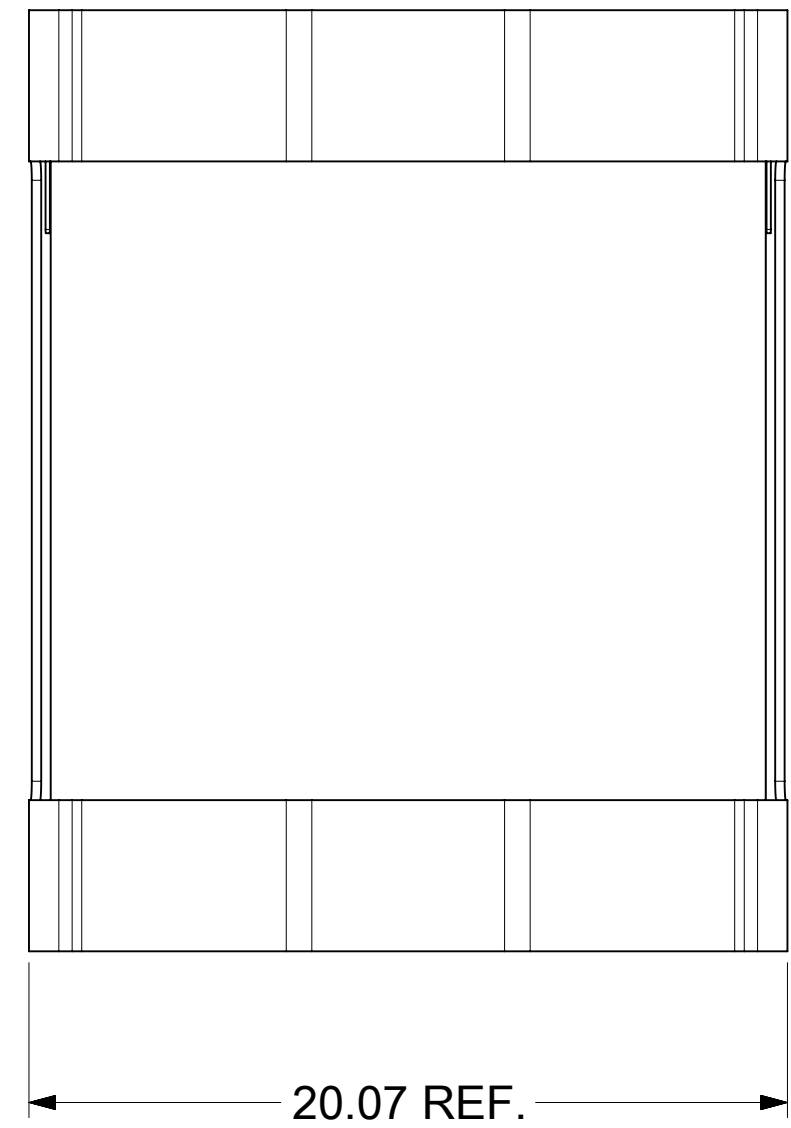
- MATERIAL: CAGE : STAINLESS STEEL.
SPRING FINGERS : STAINLESS STEEL.
HEAT SINK: ALUMINUM(BLACK ANODIZATION)
HEAT SINK CLIP: STAINLESS STEEL
- DURING FINAL INSPECTION, CAGE LEG LOCATIONS AND STRAIGHTNESS MUST BE CHECKED BY USING APPROPRIATE GO - NO GO GAGE.
- DURING FINAL INSPECTION, CAGE MUST BE INSPECTED TO MAKE SURE LEG CONFIGURATIONS AND PART NUMBERS IS CORRECT.
- PARTS TO BE INSPECTED PER MOLEX COSMETIC SPEC ES-171233-0001 (CLASS B UNLESS OTHERWISE SPECIFIED).
- PRESS-FIT LEGS 2.44mm LONG -
1.57mm MINIMUM PCB THICKNESS FOR SINGLE SIDED USE.
2.70mm MINIMUM PCB THICKNESS FOR BELLY TO BELLY USE.
- NO RoHS EXEMPTIONS.

THIS DRAWING CONTAINS INFORMATION THAT IS PROPRIETARY TO MOLEX ELECTRONIC TECHNOLOGIES, LLC AND SHOULD NOT BE USED WITHOUT WRITTEN PERMISSION

| | | | | | | | | |
|--|-------|--------------------------------------|---------|-------------------------------------|------------|--------------|----------|----------|
| DIMENSION UNITS | SCALE | CURRENT REV DESC: SEE REVISION TABLE | | molex | | | | |
| mm | 3:1 | | | | | | | |
| GENERAL TOLERANCES (UNLESS SPECIFIED) | | EC NO: 697632 | | QSFP-DD 1X1 CAGE, CLIP AND HEATSINK | | | | |
| ANGULAR TOL ± 2.0° | | DRWN: JYEN01 2022/03/01 | | PRODUCT CUSTOMER DRAWING | | | | |
| 4 PLACES ± | | CHK'D: THSU02 2022/03/01 | | DOCUMENT NUMBER | | | | |
| 3 PLACES ± 0.15 | | APPR: SCHIEN 2022/03/09 | | 2031432089 | | DOC TYPE | DOC PART | REVISION |
| 2 PLACES ± 0.15 | | INITIAL REVISION: | | PSD | | ASY | B | |
| 1 PLACE ± 0.3 | | DRWN: JYEN01 2021/12/01 | | 2022/02/24 | | | | |
| 0 PLACES ± 0.3 | | APPR: SCHIEN | | SERIES | | | | |
| DRAFT WHERE APPLICABLE MUST REMAIN WITHIN DIMENSIONS | | THIRD ANGLE PROJECTION | DRAWING | MATERIAL NUMBER | CUSTOMER | SHEET NUMBER | | |
| | | | D-SIZE | 203143 | 2031432089 | 1 OF 6 | | |

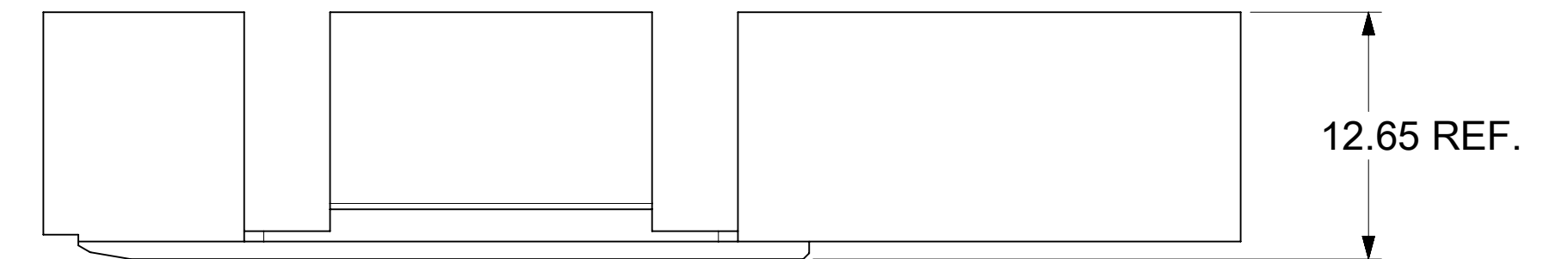
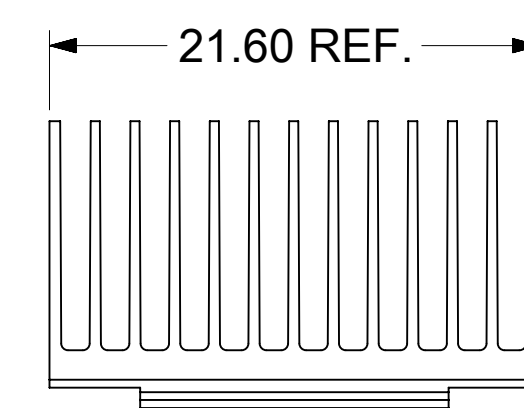
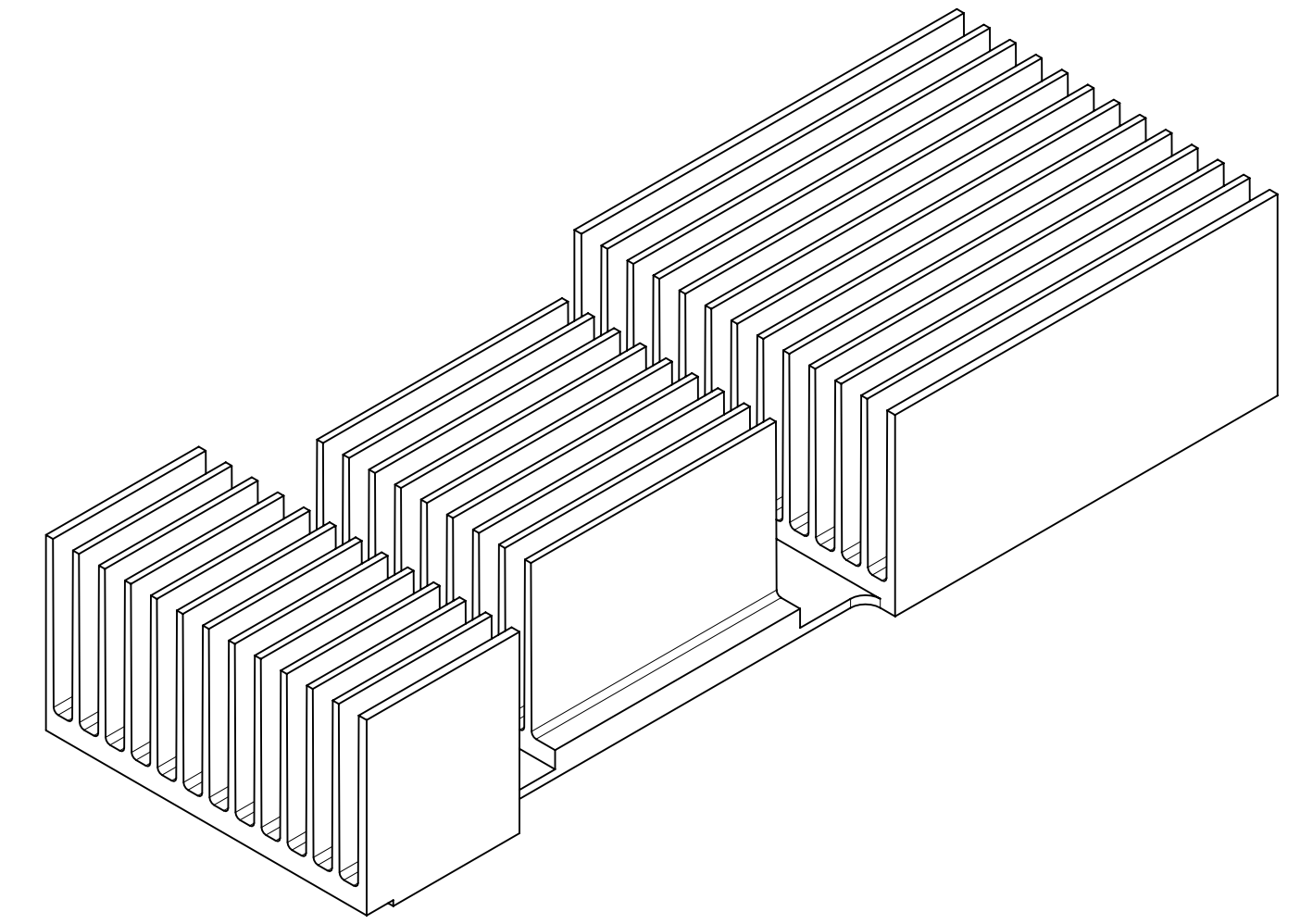
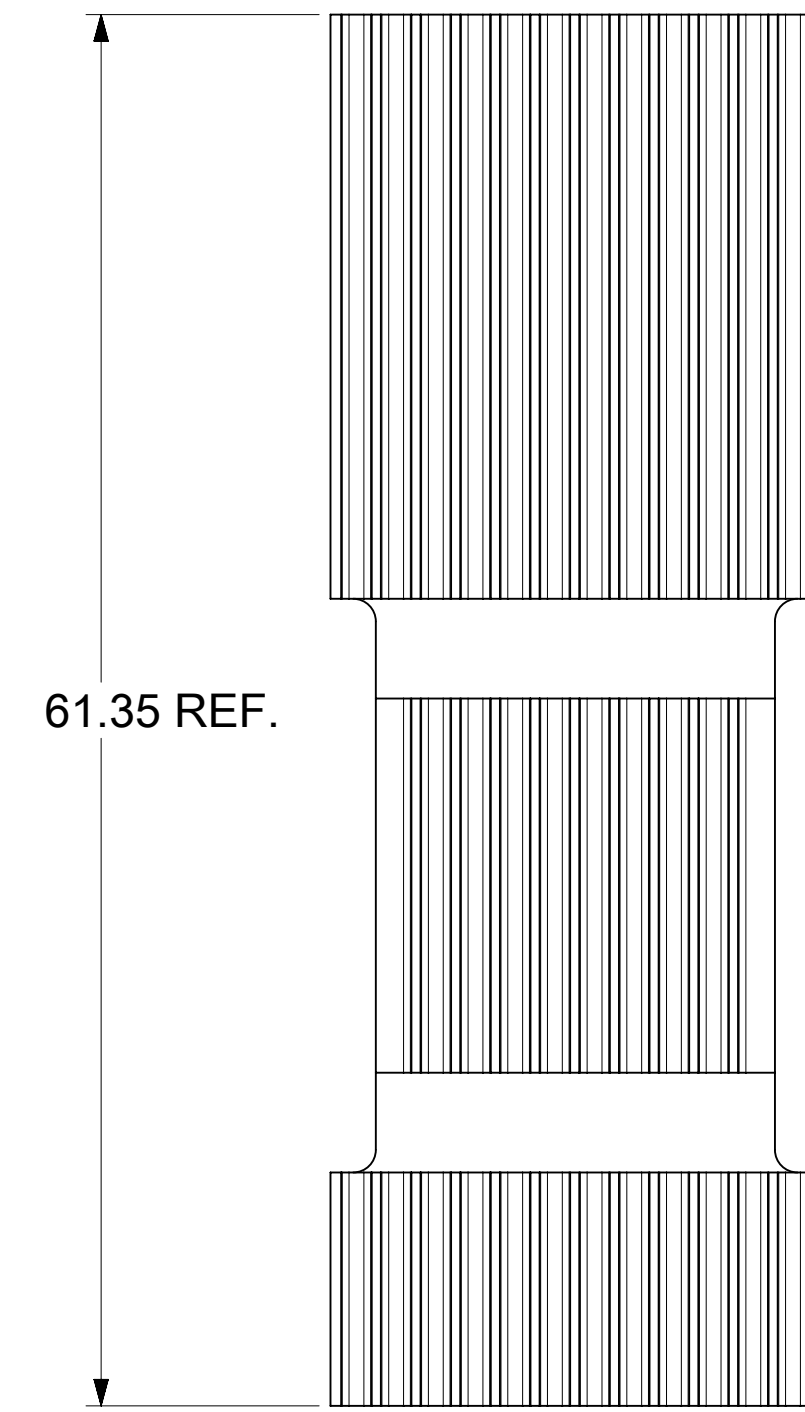
CLIP DETAILS

2033730161



HEATSINK DETAILS

2033732115



THIS DRAWING CONTAINS INFORMATION THAT IS PROPRIETARY TO MOLEX ELECTRONIC TECHNOLOGIES, LLC AND SHOULD NOT BE USED WITHOUT WRITTEN PERMISSION

DIMENSION UNITS: mm
SCALE: 5:1

CURRENT REV DESC: SEE REVISION TABLE

GENERAL TOLERANCES (UNLESS SPECIFIED)

| | |
|-------------|--------|
| ANGULAR TOL | ± 2.0° |
| 4 PLACES | ± |
| 3 PLACES | ± 0.15 |
| 2 PLACES | ± 0.15 |
| 1 PLACE | ± 0.3 |
| 0 PLACES | ± 0.3 |

EC NO: 697632
DRWN: JYEN01 2022/03/01
CHK'D: THSU02 2022/03/01
APPR: SCHIEN 2022/03/09

INITIAL REVISION:
DRWN: JYEN01 2021/12/01
APPR: SCHIEN 2022/02/24

molex

QSFP-DD 1X1 CAGE, CLIP AND HEATSINK

PRODUCT CUSTOMER DRAWING

| DOCUMENT NUMBER | DOC TYPE | DOC PART | REVISION |
|-----------------|----------|----------|----------|
| 2031432089 | PSD | ASY | B |

DRAFT WHERE APPLICABLE MUST REMAIN WITHIN DIMENSIONS

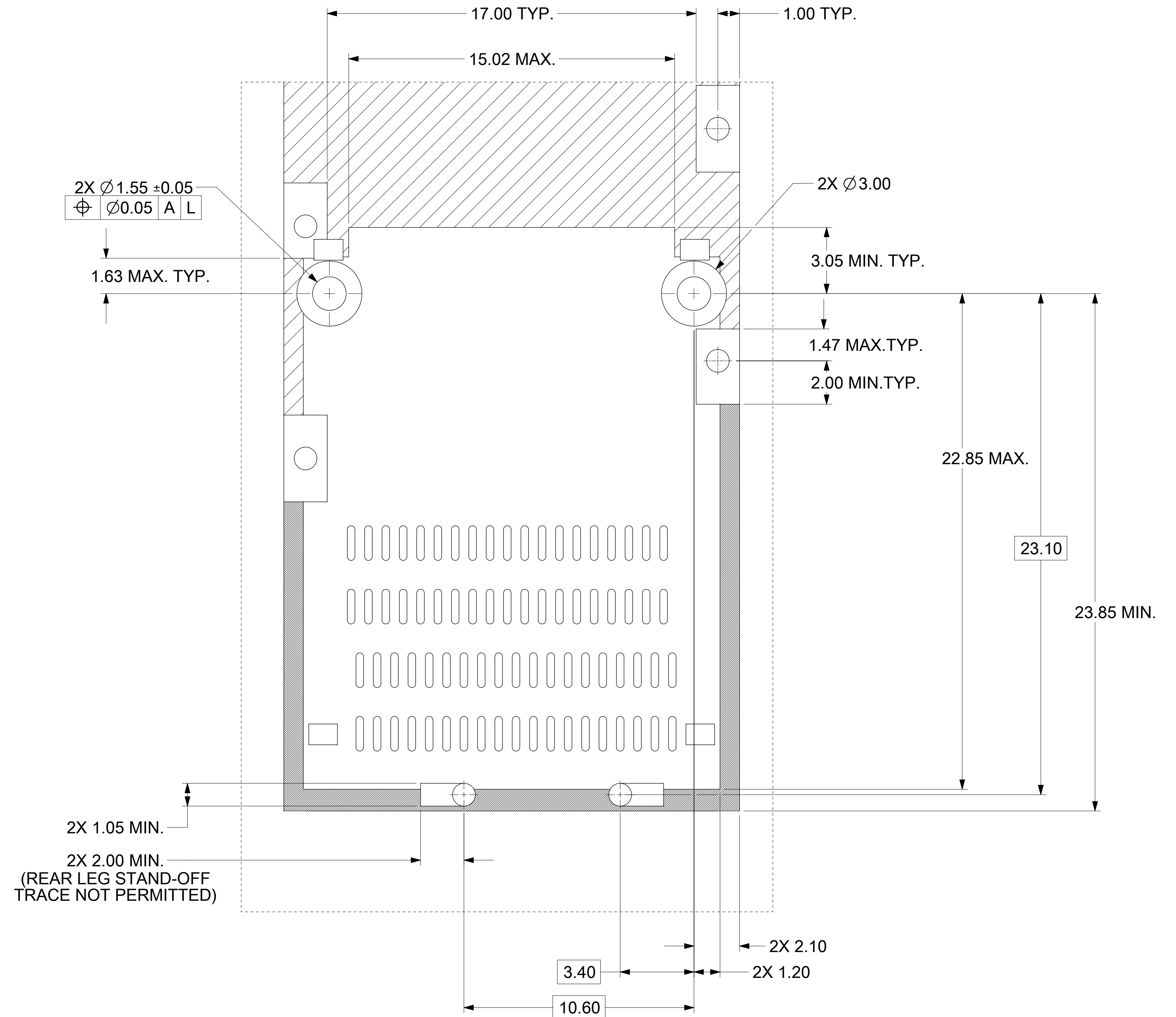
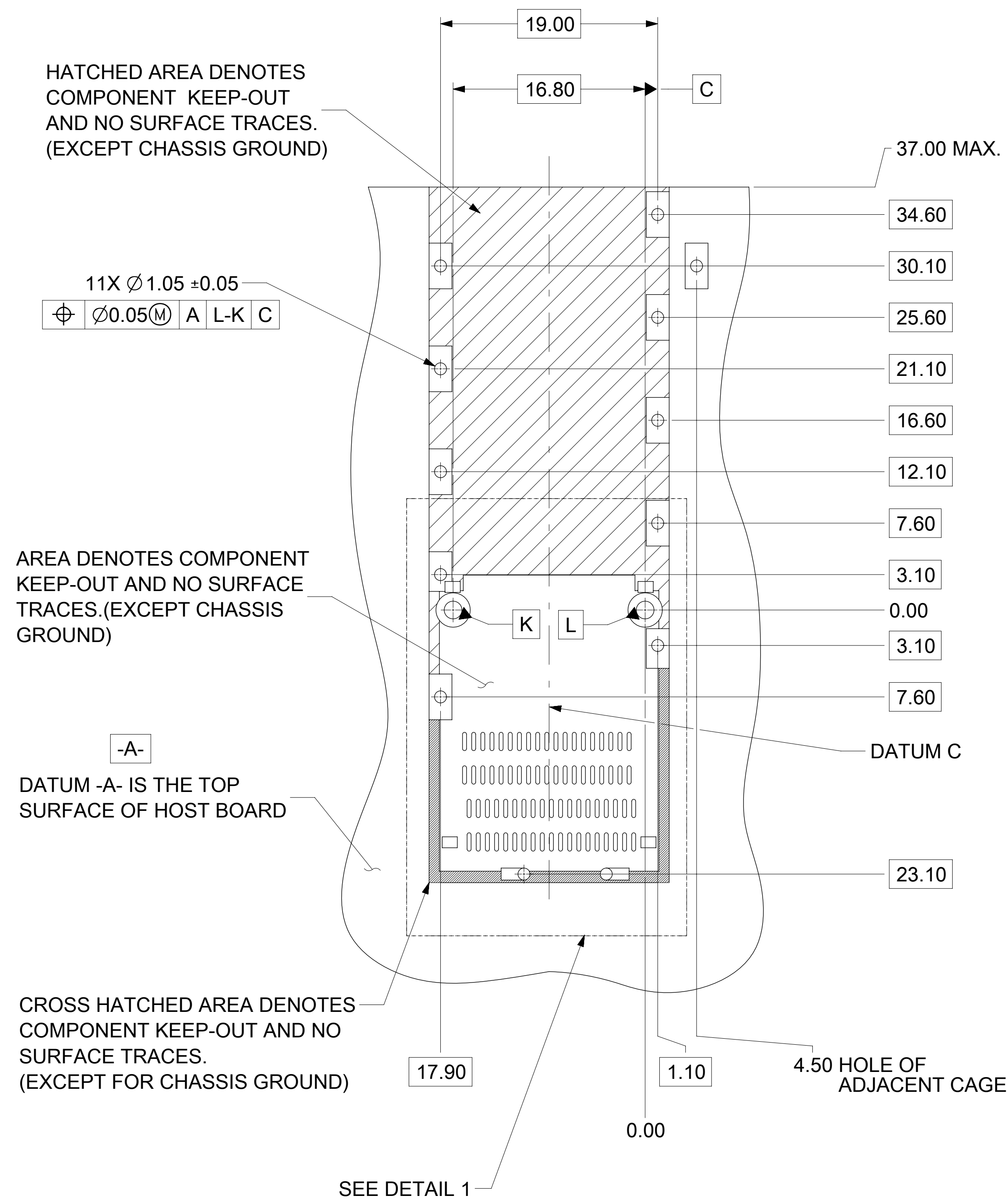
THIRD ANGLE PROJECTION

DRAWING SERIES: D-SIZE 203143

MATERIAL NUMBER: 2031432089

CUSTOMER SHEET NUMBER: 2 OF 6

PCB LAYOUT FOR SINGLE SIDED MOUNTING

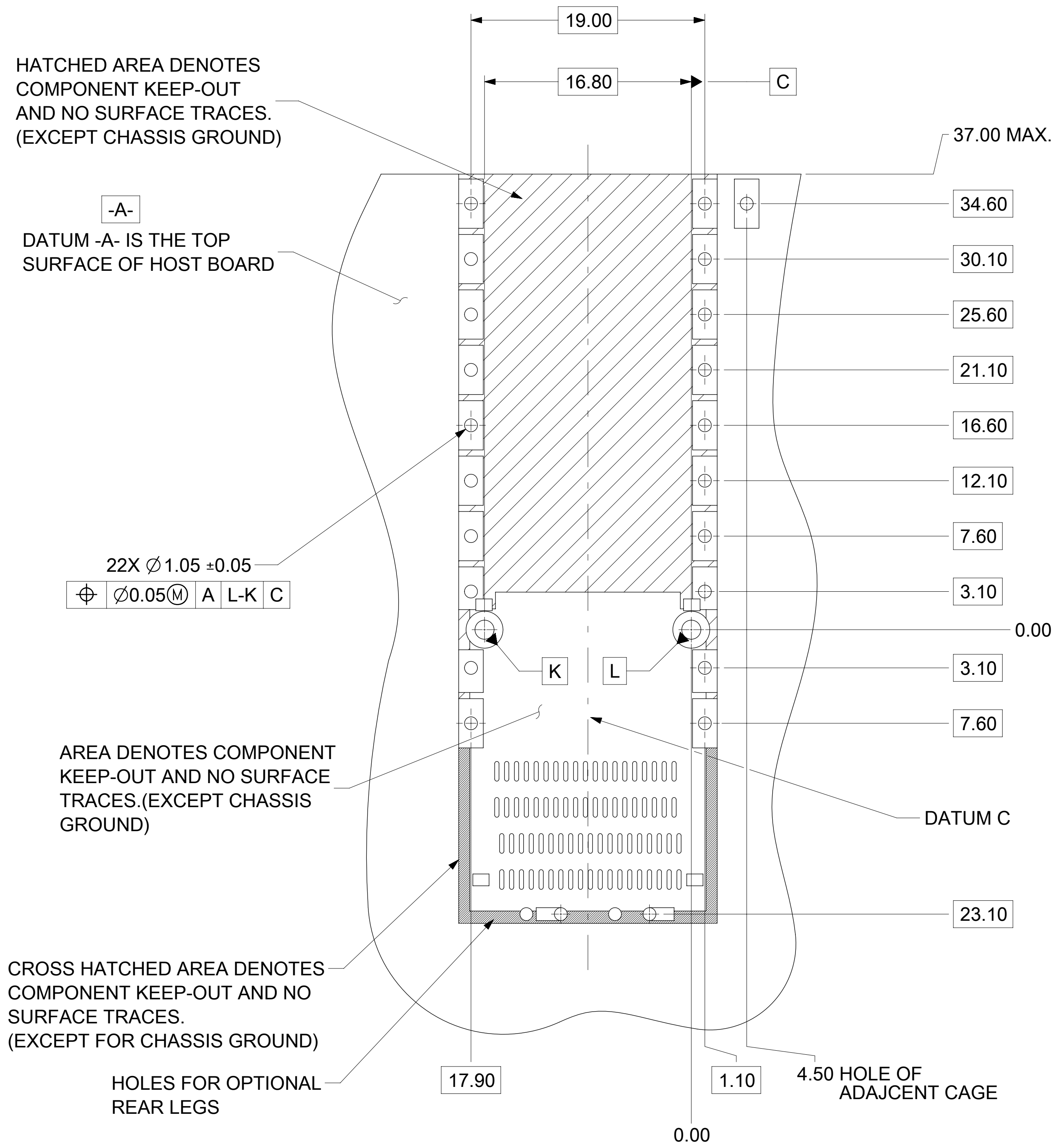


DETAIL 1
SCALE 8:1

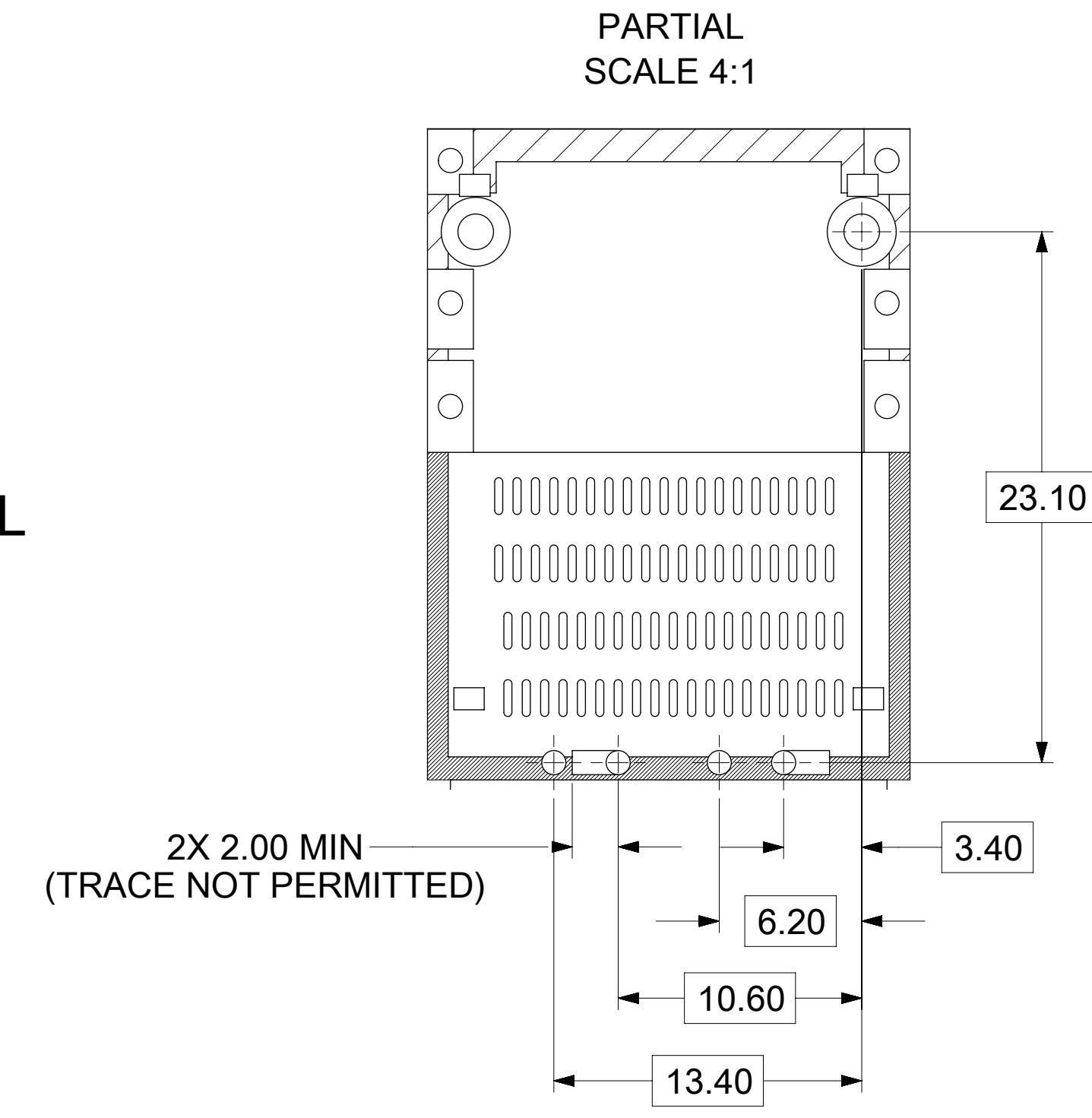
- NOTES:
1. PADS AND VIAS GO TO CHASSIS GROUND. (RECOMMENDED PADS TO BE 2.00x4.00mm RECTANGLE.)
 2. RECOMMENDED THRU HOLE PLATING INCLUDES HASL, OSP, OR IMMERSION (GOLD, SILVER, OR TIN).
 3. CONNECTOR PAD LAYOUT PER QSFP-DD MSA WILL ACCOMMODATE MOLEX CONNECTOR SERIES 202718.

| | | | | | | | | | |
|---|--|-----------------------|--|--|--|--------------|--|------------|--|
| THIS DRAWING CONTAINS INFORMATION THAT IS PROPRIETARY TO MOLEX ELECTRONIC TECHNOLOGIES, LLC AND SHOULD NOT BE USED WITHOUT WRITTEN PERMISSION | | | | | | | | | |
| DIMENSION UNITS mm | | SCALE 3.5:1 | | CURRENT REV DESC: SEE REVISION TABLE | | | | | |
| GENERAL TOLERANCES (UNLESS SPECIFIED) | | | | <p>molex</p> <p>QSFP-DD 1X1 CAGE, CLIP AND HEATSINK</p> <p>PRODUCT CUSTOMER DRAWING</p> <p>DOCUMENT NUMBER: 2031432089 DOC TYPE: PSD DOC PART: ASY REVISION: B</p> <p>MATERIAL NUMBER: 2031432089 CUSTOMER: SHEET NUMBER: 3 OF 6</p> | | | | | |
| ANGULAR TOL | | ± 2.0° | | | | | | | |
| 4 PLACES | | ± | | | | | | | |
| 3 PLACES | | ± 0.15 | | | | | | | |
| 2 PLACES | | ± 0.15 | | | | | | | |
| 1 PLACE | | ± 0.3 | | EC NO: 697632 | | DRWN: JYEN01 | | 2022/03/01 | |
| 0 PLACES | | ± 0.3 | | CHK'D: THSU02 | | APPR: SCHIEN | | 2022/03/01 | |
| DRAFT WHERE APPLICABLE MUST REMAIN WITHIN DIMENSIONS | | | | THIRD ANGLE PROJECTION | | DRAWING | | SERIES | |
| | | | | D-SIZE | | 203143 | | | |

PCB LAYOUT FOR BELLY TO BELLY MOUNTING



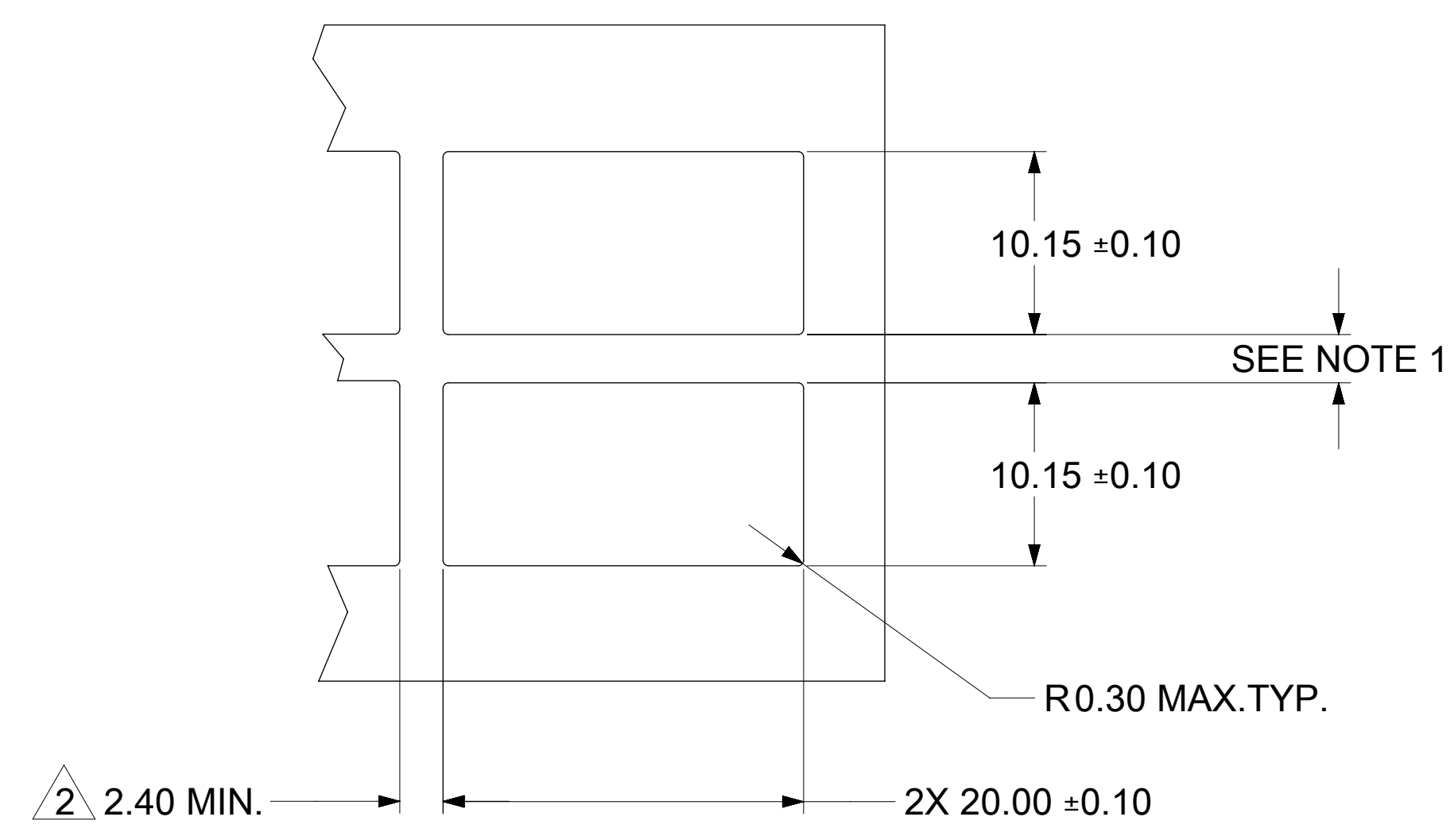
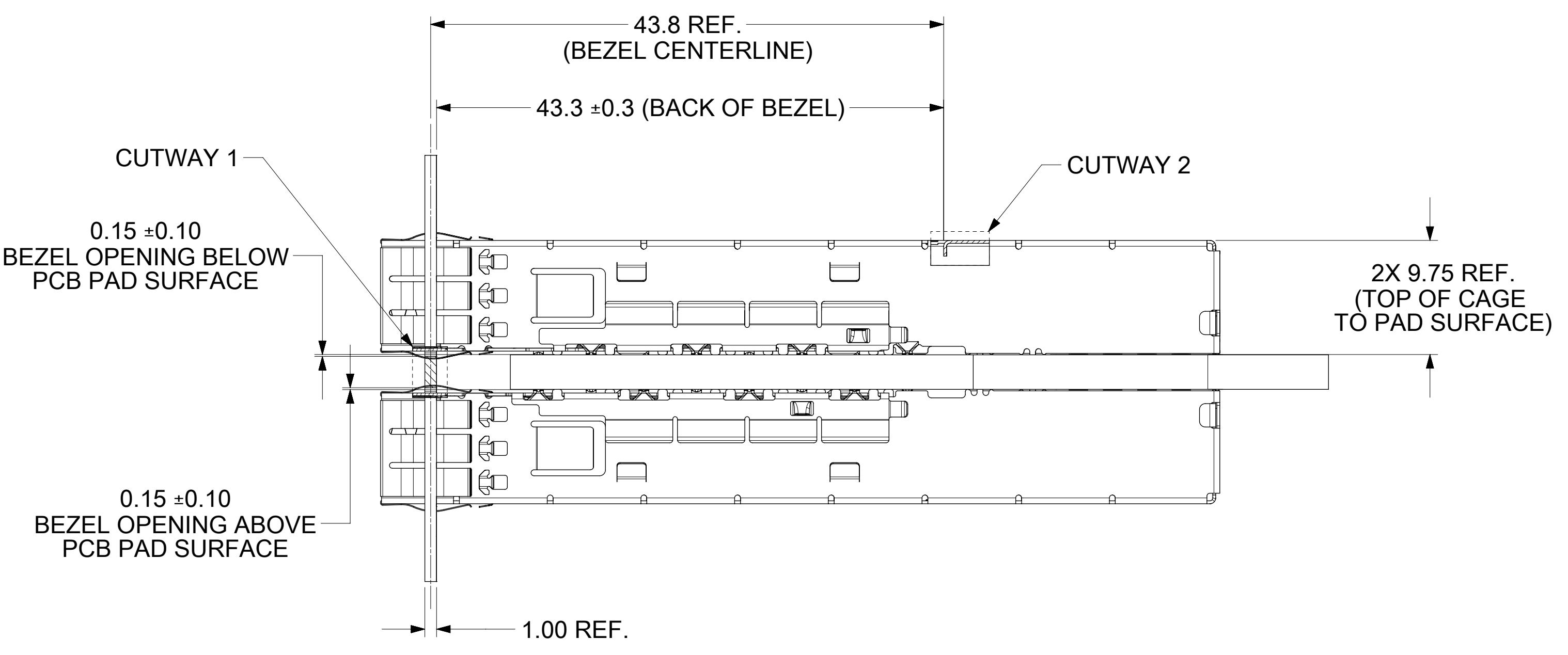
NOTE:
SEE SHEET 3 FOR
HOST CONNECTOR DETAIL



- NOTES:
1. PADS AND VIAS GO TO CHASSIS GROUND. (RECOMMENDED PADS TO BE 2.00x4.00mm RECTANGLE.)
 2. RECOMMENDED THRU HOLE PLATING INCLUDES HASL, OSP, OR IMMERSION (GOLD, SILVER, OR TIN).
 3. CONNECTOR PAD LAYOUT PER QSFP-DD WILL ACCOMMODATE MOLEX CONNECTOR SERRIES 202718.

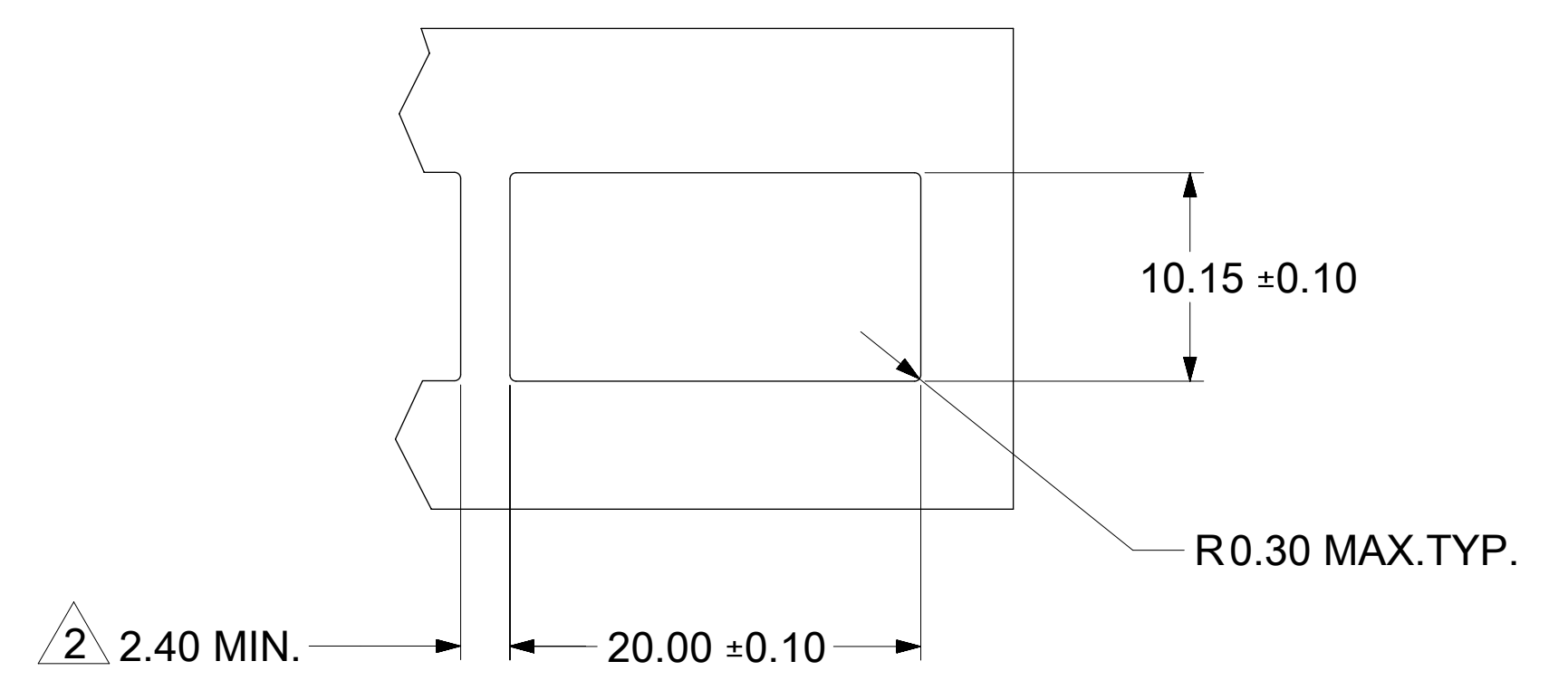
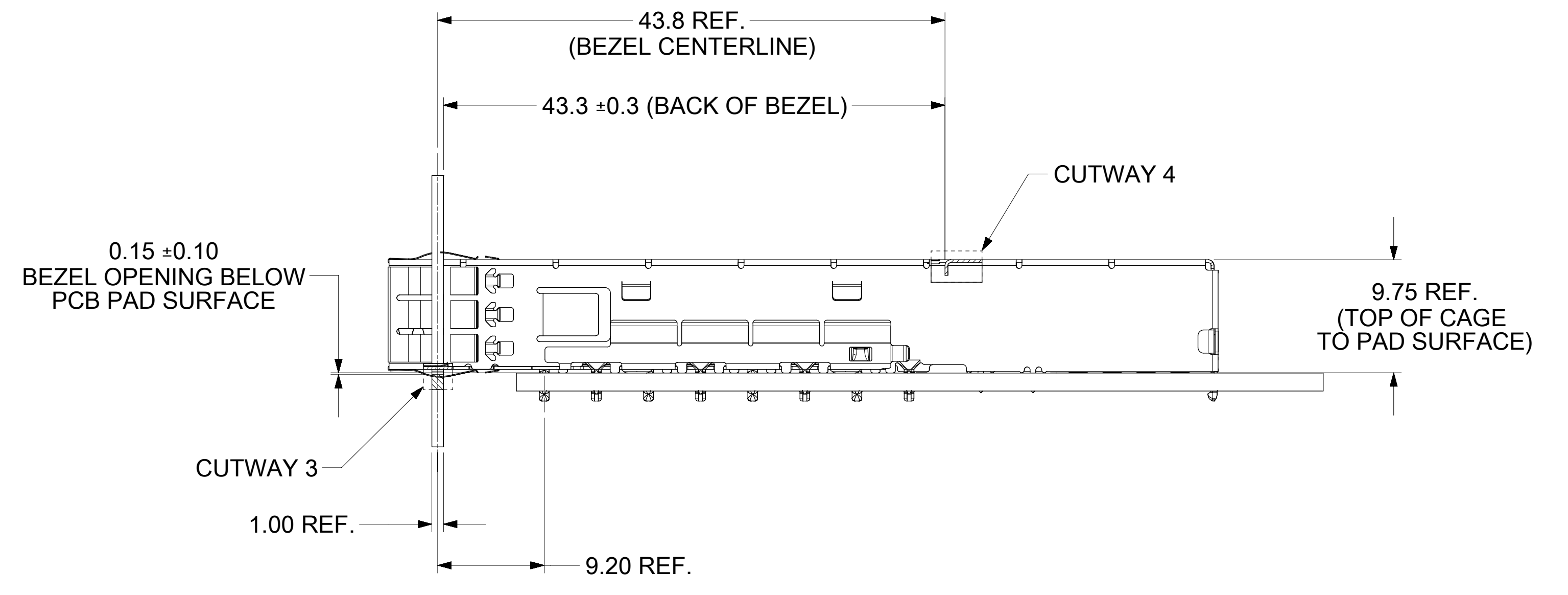
| | | | | | | | | | | | |
|---|--|---------------------|------------------------|--------------------------------------|---------|--------------------------|------------|--------------|--------------------------|-------------------------------------|--|
| THIS DRAWING CONTAINS INFORMATION THAT IS PROPRIETARY TO MOLEX ELECTRONIC TECHNOLOGIES, LLC AND SHOULD NOT BE USED WITHOUT WRITTEN PERMISSION | | | | | | | | | | | |
| DIMENSION UNITS mm | | SCALE 4:1 | | CURRENT REV DESC: SEE REVISION TABLE | | | | molex | | QSFP-DD 1X1 CAGE, CLIP AND HEATSINK | |
| GENERAL TOLERANCES (UNLESS SPECIFIED) | | | | | | EC NO: 697632 | | | | | |
| ANGULAR TOL ± 2.0° | | | | | | DRWN: JYEN01 2022/03/01 | | | | PRODUCT CUSTOMER DRAWING | |
| 4 PLACES ± | | | | | | CHK'D: THSU02 2022/03/01 | | | | DOCUMENT NUMBER | |
| 3 PLACES ± 0.15 | | | | | | APPR: SCHIEN 2022/03/09 | | | | 2031432089 | |
| 2 PLACES ± 0.15 | | | | | | INITIAL REVISION: | | | | DOC TYPE DOC PART REVISION | |
| 1 PLACE ± 0.3 | | | | | | DRWN: JYEN01 2021/12/01 | | | | PSD ASY B | |
| 0 PLACES ± 0.3 | | | | | | APPR: SCHIEN 2022/02/24 | | | | SHEET NUMBER | |
| DRAFT WHERE APPLICABLE MUST REMAIN WITHIN DIMENSIONS | | | THIRD ANGLE PROJECTION | | DRAWING | | SERIES | | MATERIAL NUMBER CUSTOMER | | |
| | | | D-SIZE | | 203143 | | 2031432089 | | 4 OF 6 | | |

BEZEL AND BOARD POSITION DIMENSIONS FOR BELLY TO BELLY MOUNTING



NOTES:
 1. PCB THICKNESS VARIATION MUST BE CONSIDERED WHEN DETERMINING BEZEL OPENING LOCATION.
 2 THIS DIMENSION IS FOR REFERENCE ONLY. USER CAN MODIFY IT DEPENDS ON APPLICATION.
 (THIS DIMENSION VARIES BASED ON DISTANCE OF "HOLE OF ADJACENT CAGE" ON PCB LAYOUT.)

BEZEL AND BOARD POSITION DIMENSIONS FOR SINGLE SIDE MOUNTING



| | | | | | | | | | |
|---|--------|---|------------|-----------------|-----------------|----------|----------|--------------|----------|
| THIS DRAWING CONTAINS INFORMATION THAT IS PROPRIETARY TO MOLEX ELECTRONIC TECHNOLOGIES, LLC AND SHOULD NOT BE USED WITHOUT WRITTEN PERMISSION | | | | | | | | | |
| DIMENSION UNITS | SCALE | CURRENT REV DESC: SEE REVISION TABLE | | | | | | | |
| mm | 3:1 | <div style="text-align: center;">molex</div> QSFP-DD 1X1 CAGE, CLIP AND HEATSINK PRODUCT CUSTOMER DRAWING | | | | | | | |
| GENERAL TOLERANCES (UNLESS SPECIFIED) | | | | | | | | | |
| ANGULAR TOL | ± 2.0° | | | | | | | | |
| 4 PLACES | ± | | | | | | | | |
| 3 PLACES | ± 0.15 | | | | | | | | |
| 2 PLACES | ± 0.15 | EC NO: 697632 | 2022/03/01 | | DOCUMENT NUMBER | | DOC TYPE | DOC PART | REVISION |
| 1 PLACE | ± 0.3 | DRWN: JYEN01 | 2021/12/01 | | 2031432089 | | PSD | ASY | B |
| 0 PLACES | ± 0.3 | CHK'D: THSU02 | 2022/03/01 | | 2031432089 | | | | |
| DRAFT WHERE APPLICABLE MUST REMAIN WITHIN DIMENSIONS | | APPR: SCHIEN | 2022/03/09 | | 2031432089 | | CUSTOMER | SHEET NUMBER | |
| THIRD ANGLE PROJECTION | | DRAWING | SERIES | MATERIAL NUMBER | | CUSTOMER | | 5 OF 6 | |
| D-SIZE | | 203143 | 2031432089 | | | | | | |

| REV | DATE | DESCRIPTION |
|-----|-----------|---|
| A | 2022/2/24 | INITIAL RELEASE |
| B | 2022/3/1 | SHEET 2 : H6 : REMOVED FIRST AND LAST FIN FROM MID SECTION OF HEATSINK. |
| | | |
| | | |
| | | |
| | | |
| | | |
| | | |
| | | |

| | | | | | | | | | |
|---|--------|--------------------------------------|---------|--------|-------------------------------------|------------|--------------|--|--|
| THIS DRAWING CONTAINS INFORMATION THAT IS PROPRIETARY TO MOLEX ELECTRONIC TECHNOLOGIES, LLC AND SHOULD NOT BE USED WITHOUT WRITTEN PERMISSION | | | | | | | | | |
| DIMENSION UNITS | SCALE | CURRENT REV DESC: SEE REVISION TABLE | | | molex | | | | |
| mm | 1:1 | | | | | | | | |
| GENERAL TOLERANCES (UNLESS SPECIFIED) | | | | | QSFP-DD 1X1 CAGE, CLIP AND HEATSINK | | | | |
| ANGULAR TOL | ± 2.0° | | | | PRODUCT CUSTOMER DRAWING | | | | |
| 4 PLACES | ± | | | | | | | | |
| 3 PLACES | ± 0.15 | | | | | | | | |
| 2 PLACES | ± 0.15 | | | | | | | | |
| 1 PLACE | ± 0.3 | | | | | | | | |
| 0 PLACES | ± 0.3 | | | | | | | | |
| DRAFT WHERE APPLICABLE MUST REMAIN WITHIN DIMENSIONS | | THIRD ANGLE PROJECTION | DRAWING | SERIES | MATERIAL NUMBER | CUSTOMER | SHEET NUMBER | | |
| | | | | D-SIZE | 203143 | 2031432089 | 6 OF 6 | | |

| | | | | |
|-----------------|----|--------------|------------|----------|
| DOCUMENT STATUS | P1 | RELEASE DATE | 2022/03/09 | 11:36:47 |
|-----------------|----|--------------|------------|----------|