

D-25 Series, Rated up to 125 Amps, 115/200 VAC, 400 Hz

Product Facts

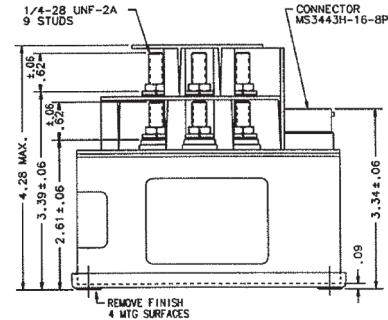
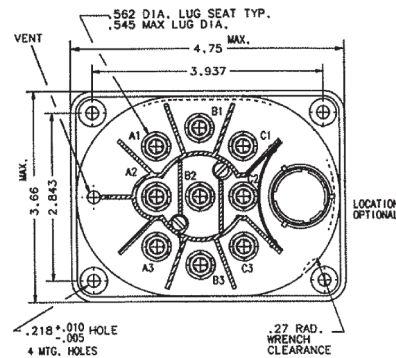
- 3PDT, Side stable
- Gasket sealed



Performance Data

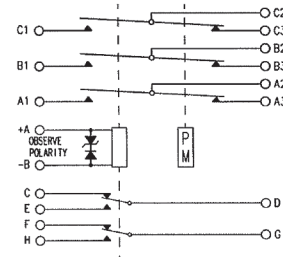
Electrical Characteristics

- Main Contacts —**
- Contact Arrangement —** 3PDT, Side Stable
- Rated Operating Voltage —** 115/200 VAC, 400 Hz
- Resistive Rating —** 125 Amps
- Inductive Rating —** 100 Amps
- Motor Load —** 60 Amps
- Rupture Rating —** 600 Amps
- Overload Rating —** 600 Amps
- Auxiliary Contacts —**
- Contact Arrangement —** 2PDT
- Voltage —** 28 Vdc or 115 VAC, 400 Hz
- Resistive Rating —** 3 Amps
- General Characteristics**
- Temperature Range —** -55°F to +71°F
- Altitude, Max. —** 50,000 ft
- Weight, Nominal —** 2.75 lbs
- Coil Characteristics**
- Duty Cycle —** Continuous
- Operating Voltage, Nom. —** 28 Vdc
- Pickup Voltage @ 25°C, Max. —** 18 Vdc
- Dropout Voltage @ 25°C —** 2.5 to 7 Vdc
- Coil Resistance @ 25°C —** 113 Ohms ± 20%



Mounting Style A

Circuit Configurations (Consult factory for other available circuit configurations)



Circuit Configuration 1

For factory-direct application assistance, phone 419-521-9500 or fax 419-526-2749.

HARTMAN Part Number	Construction Type	Mounting Style	Coil Type	Circuit Config.	TE Part Number
D-25BAH	Gasket/Vented	A	Continuous	1	1616034-2