

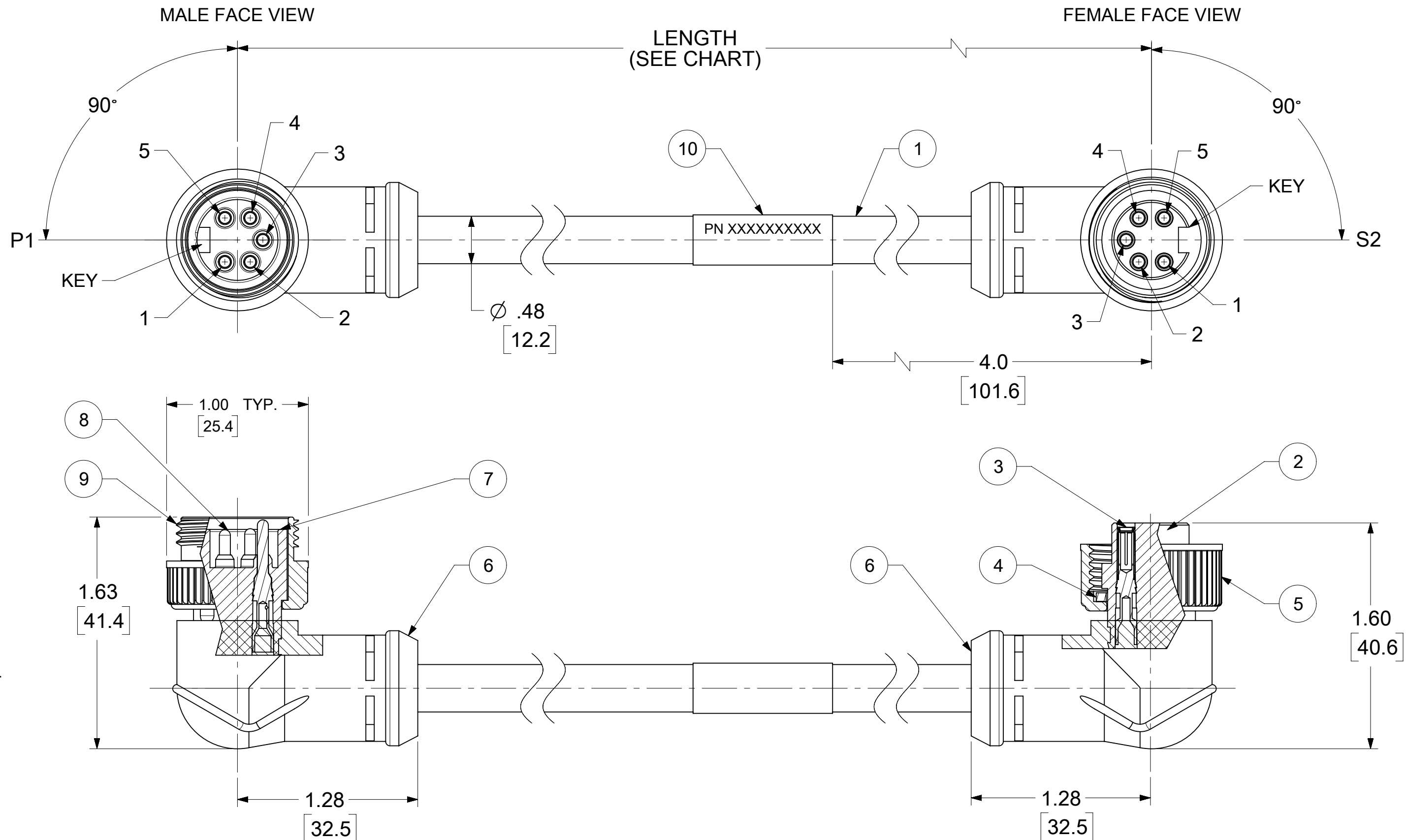
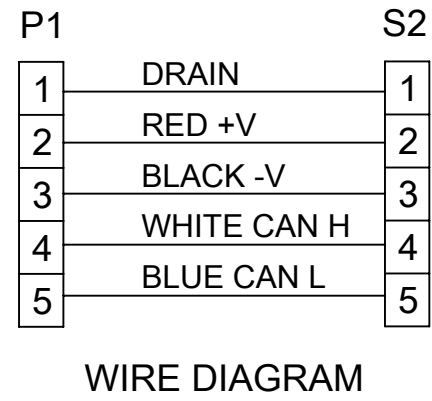
MATERIAL NO.	ENGINEERING NO.	FINISHED LENGTH
1300250196	DN99A-M006	1 FT 11.6 IN [0.6M]
1300250197	DN99A-M010	3 FT 3.3 IN [1.0M]
1300250220	DN99A-M400	131 FT 2.8 IN [40.0M]
1300250223	DN99A-M750	246 FT [75.0M]

PART NO. LEGEND

DN99A-M010

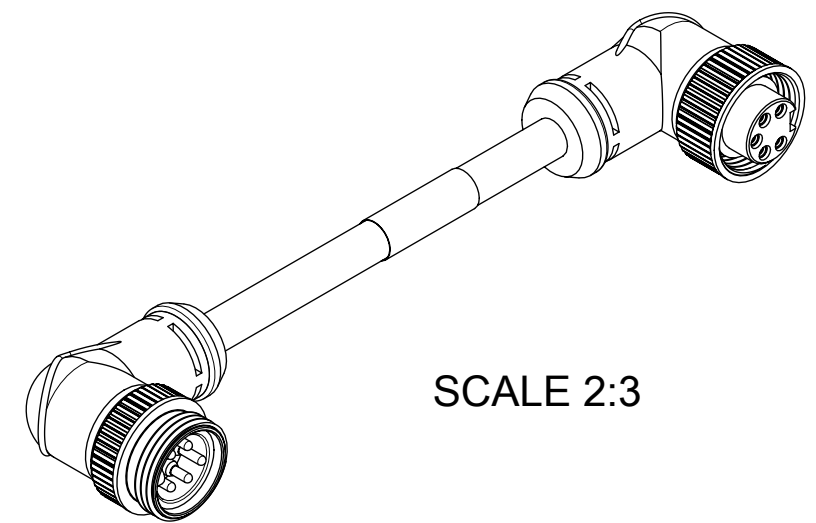
FINISHED LENGTH
M005= 0.5 METER
M010= 1 METER
M100= 10 METER

CABLE LENGTH TOLERANCES	
<.3M [1FT]:	+19mm-0 [+1.75in-0]
.3 - .9M [1 - 3FT]:	+44.5mm-0 [+1.75in-0]
.9 - 1.8M [3 - 6FT]:	+55.6mm-0 [+2.19in-0]
1.8 - 3.7M [6 - 12FT]:	+88.9mm-0 [+3.50in-0]
3.7 - 7.3M [12 - 24FT]:	+165.1mm-0 [+6.50in-0]
7.3-14.6M [24 - 48FT]:	+317.5mm-0 [+12.50in-0]
14.6 - 30.5M [48-100FT]:	+622.3mm-0 [+24.50in-0]
OVER 30M [100FT]:	+2% OF FINISHED LENGTH



- NOTES:
- MATERIAL: AS NOTED
 - FINISH: AS NOTED
 - ELECTRICAL SPECIFICATIONS
VOLTAGE RATING: 300V PER IEC60664
300V PER UL2238
CURRENT RATING: 4A
 - TEMP RANGE: -20°C TO +80°C
 - COUPLING THREAD: 7/8-16 UN
 - PROTECTION: IP67 (WHEN MATED)
 - UL RECOGNIZED FILE: E152210
CSA CERTIFIED FILE: LR6837
 - ALL DIMENSIONS ARE FOR REFERENCE UNLESS TOLERANCED OR NOTED OTHERWISE

ITEM	DESCRIPTION	MATERIAL	FINISH
10	LABEL	VINYL	BLACK/YELLOW
9	COUPLING NUT, MALE	ZINC DIE CAST	BLACK E-COAT
8	CONTACT PIN	BRASS	GOLD PLATED
7	INSERT, MALE, 5 POLE	TPE	BLACK
6	OVERMOLDS	TPE	GRAY
5	COUPLING NUT, FEMALE	ZINC DIE CAST	BLACK E-COAT
4	FRICTION RING	NYLON	WHITE
3	CONTACT SOCKET	BRASS	GOLD PLATED
2	INSERT, FEMALE, 5 POLE	TPE	BLACK
1	CABLE, DEV-NET, TRUNK, 18/2, 15/2	PVC JACKET	GRAY



FUNCTIONAL SYMBOLS	THIS DRAWING CONTAINS INFORMATION THAT IS PROPRIETARY TO MOLEX ELECTRONIC TECHNOLOGIES, LLC AND SHOULD NOT BE USED WITHOUT WRITTEN PERMISSION			
	DIMENSION UNITS		SCALE	
	INCH/MM		1.5:1	
	CURRENT REV DESC: INSERT COLOR WAS GRAY			
DIVISIONAL SYMBOLS	GENERAL TOLERANCES (UNLESS SPECIFIED)			
	4 PLACES ±		MM INCH	
	3 PLACES ±		MM INCH	
	2 PLACES ±		MM INCH	
EC NO: 702517				
DRWN: RSTONE 2022/04/07				
CHK'D: MZIELINSKI 2022/04/08				
APPR: BWOODMAN 2022/04/12				
INITIAL REVISION:				
DRWN: R. STONE 2009/05/11				
APPR: JFMURPHY 2009/05/15				
DRAFT WHERE APPLICABLE MUST REMAIN WITHIN DIMENSIONS		THIRD ANGLE PROJECTION	DRAWING	SERIES
			C-SIZE	130025
DOCUMENT STATUS		P1	RELEASE DATE	2022/04/12 20:40:51
DOCUMENT NUMBER		CUSTOMER		SHEET NUMBER
SD-130025-003		GENERAL MARKET		1 OF 1