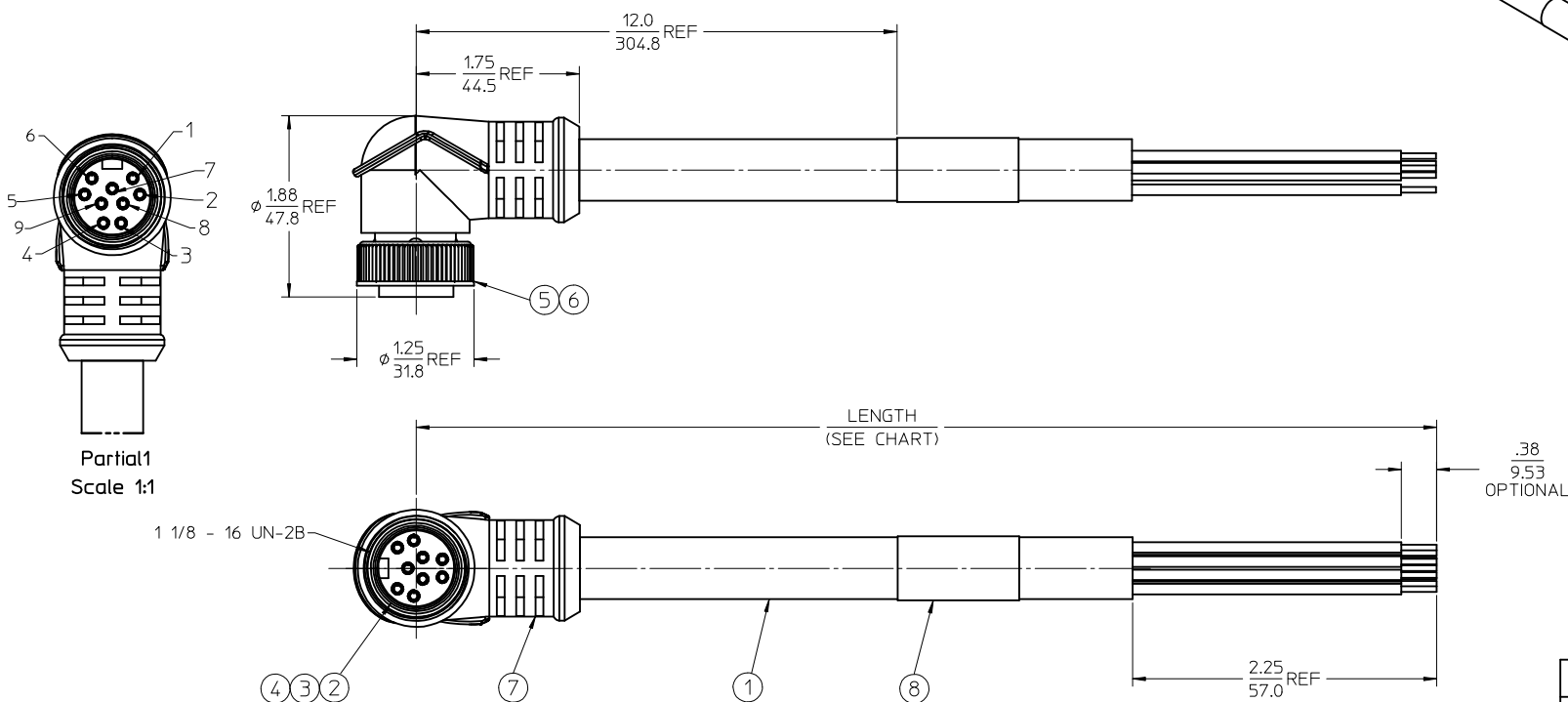
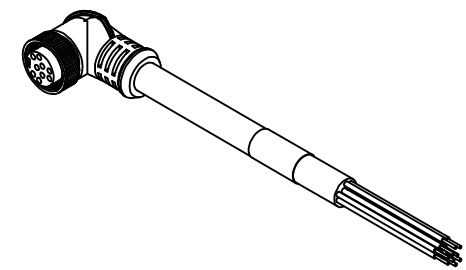


PART NUMBER	ENGINEERING NO.	LENGTH
1300080350	309001A01F030	3'-0" +2.19 - 0 [.9M +55.6 - 0]
1300080351	309001A01F060	6'-0" +3.50 - 0 [1.8M +88.9 - 0]
1300080353	309001A01F120	12'-0" +6.50 - 0 [3.7M +165.1 - 0]
1300080355	309001A01F200	20'-0" +6.50 - 0 [6.1M +165.1 - 0]



P1

1	ORANGE
2	BLUE
3	RED/BLACK TRACE
4	GREEN BLACK TRACE
5	WHITE
6	RED
7	GREEN GND
8	WHITE/BLACK TRACE
9	BLACK

WIRING DIAGRAM

- NOTES:
1. MATERIAL: SEE TABLE
 2. FINISHES: SEE TABLE
 3. CABLE ASSEMBLIES ARE BAGGED SEPERATELY IN POLY BAGS WITH BARCODE LABEL ATTACHED TO OUTSIDE OF BAG
 4. WRAP LABEL IS MARKED WITH P/N, DATE CODE VOLTAGE & AMPERAGE
 5. MATES WITH: MINI CHANGE, C-SIZE 9 POLE RECEPTACLE
 6. ELECTRICAL SPECIFICATIONS:
VOLTAGE RATING: 600V
CURRENT RATING: 7 AMPS
 7. ASSEMBLY IS RoHS COMPLIANT

ITEM	QTY.	DESCRIPTION	MATERIAL	FINISH
8	1	LABEL	PLASTIC FILM	BLACK/YELLOW
7	1	OVERMOLD	PVC	YELLOW
6	1	COUPLING NUT	ZINC DIE CAST	BLACK
5	1	FRICITION RING	NYLON	NATURAL
4	9	SOCKET CONTACT	BRASS	GOLD PLATED
3	9	SOCKET SLEEVE, 16 AWG	STAINLESS	
2	1	INSERT, FEMALE, 9 POLE	PVC	YELLOW
1	1	CABLE - YELLOW ST00W	PVC JACKET	YELLOW
			MATERIAL	FINISH

NEW DOCUMENT
 EC NO: WNAZ010-0094
 2009/08/24
 DRW:BRUPERT
 CHKD:BRUPERT
 2009/08/26
 APPR:JFMURPHY
 2009/08/27

QUALITY SYMBOLS
 ▽=0
 ▽=0

GENERAL TOLERANCES (UNLESS SPECIFIED)

	mm	INCH
4 PLACES	± .005	± .0004
3 PLACES	± .005	± .0004
2 PLACES	± .005	± .0004
1 PLACE	± .005	± .0004

ANGULAR ±1/2°

DRAFT WHERE APPLICABLE MUST REMAIN WITHIN DIMENSIONS

DIMENSION STYLE
 IN/MM

SCALE
 1:1

DESIGN UNITS
 INCH

THIRD ANGLE PROJECTION

TITLE
 MC 9 POLE, FEMALE
 C-SIZE SINGLE ENDED
 R/A

MOLEX INCORPORATED

DOCUMENT NO.
 SD-130008-015

SHEET NO.
 1 OF 1

THIS DRAWING CONTAINS INFORMATION THAT IS PROPRIETARY TO MOLEX INCORPORATED AND SHOULD NOT BE USED WITHOUT WRITTEN PERMISSION