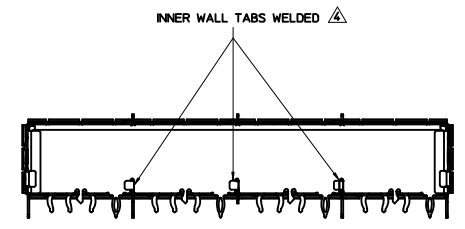
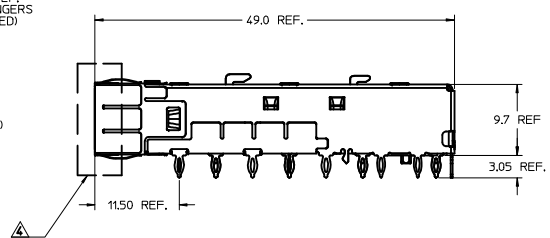
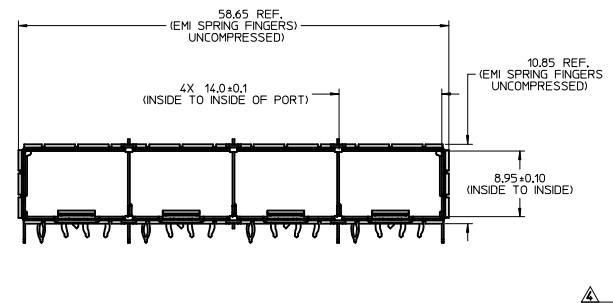
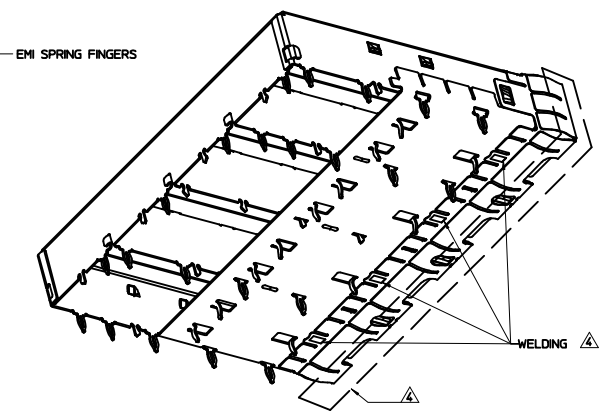
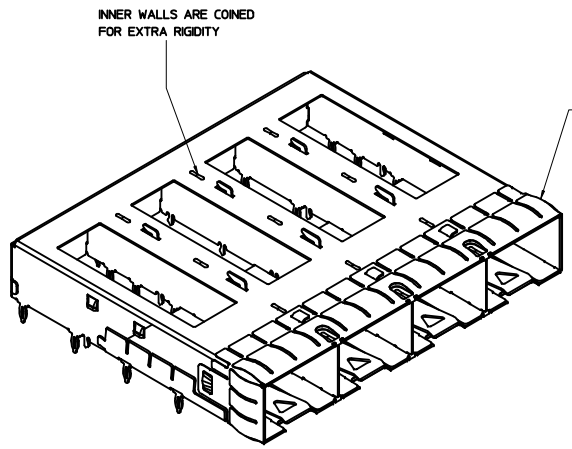
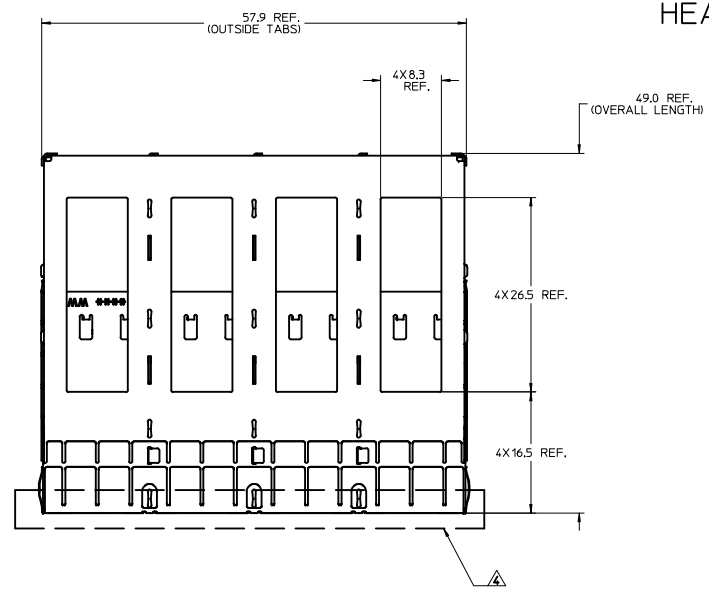


CAGE ASSEMBLY

HEATSINK/CLIP NOT SHOWN FOR CLARITY



P/N	DESCRIPTION
111112-4430	SEE SHEET 2
111112-5430	SEE SHEET 3
111112-6430	SEE SHEET 4
111112-6431	SEE SHEET 5

NOTES:

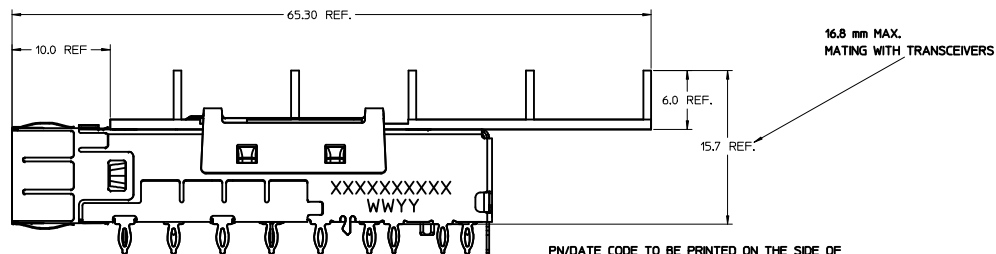
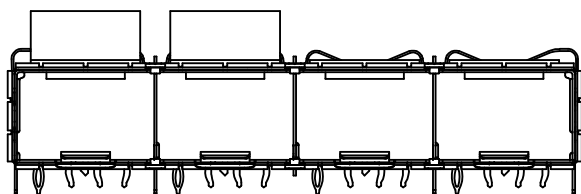
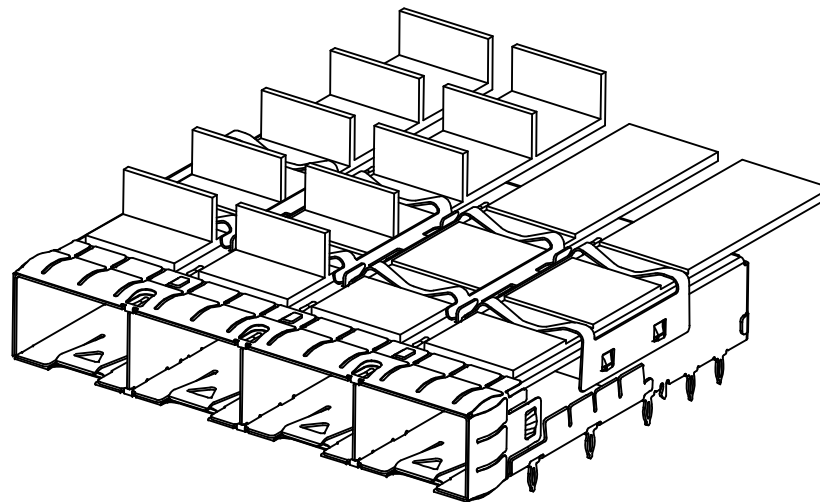
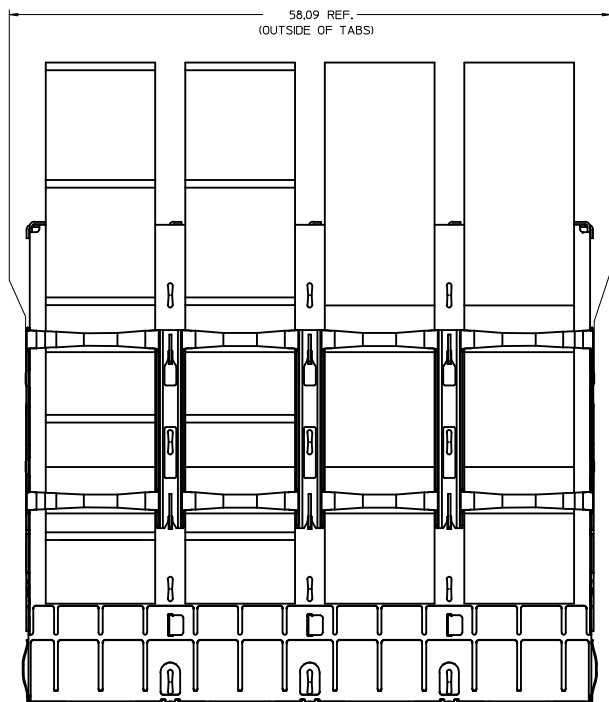
- MATERIAL:**
 CAGE: 0.25mm THICK COPPER ALLOY, NICKEL PLATED.
 SPRING FINGERS: 0.10mm THICK COPPER ALLOY, NICKEL PLATED.
 HEATSINK: ALUMINUM, NICKEL PLATED.
 HEATSINK SPRING CLIP: STAINLESS STEEL.
 - PRESS FIT LEGS 3.05mm LONG;
 - PORTS ARE DESIGNED FOR SFP+ TRANSCEIVERS AND ARE COMPATIBLE WITH SFP TRANSCEIVERS.
 THE TOP SURFACE OF THE MODULE MUST BE FLAT (NO PRODUCT LABEL RECESS) AND THERMALLY CONDUCTIVE TO FUNCTION OPTIMALLY.
- WELD SPOT MAY SHOW SLIGHT MATERIAL DISCOLORATION.
- NO RoHS EXEMPTIONS.

SEE REVISION TABLE IEC NO: CPG2016-0646 DRAWN BY: CHYKH APPR: RCHEN08 2015/08/11 2015/08/24	QUALITY SYMBOLS	GENERAL TOLERANCES (UNLESS SPECIFIED)	DIMENSION STYLE	SCALE	DESIGN UNITS	THIRD ANGLE PROJECTION
	▽=0	mm INCH	MM ONLY	3:1	METRIC	☉ □
	▽=0	4 PLACES ± --- ± ---	DRAWN BY DATE	DSUN15 2015/02/25	TITLE	SFP+ 1X4 CAGE, .120 INCH PRESS FIT, HEAT SINKS, WITH EMI SPRING FINGERS
	▽=0	3 PLACES ± 0.15 ± 0.25	CHECKED BY DATE	RCHEN08 2015/02/26	APPROVED BY DATE	RCHEN08 2015/04/30
	0 PLACE ± ±	ANGULAR ± 1 °	MATERIAL NO.	DOCUMENT NO.	SD-11112-4430	SHEET NO. 1 OF 8
		DRAFT WHERE APPLICABLE MUST REMAIN WITHIN DIMENSIONS	SIZE	THIS DRAWING CONTAINS INFORMATION THAT IS PROPRIETARY TO MOLEX INCORPORATED AND SHOULD NOT BE USED WITHOUT WRITTEN PERMISSION		

CAGE ASSEMBLY W/ HEAT SINK

111124430

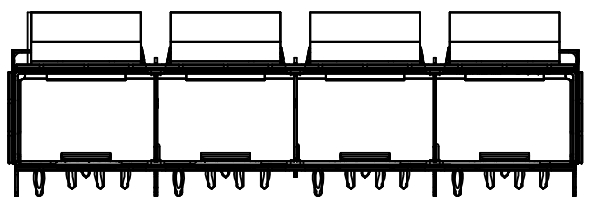
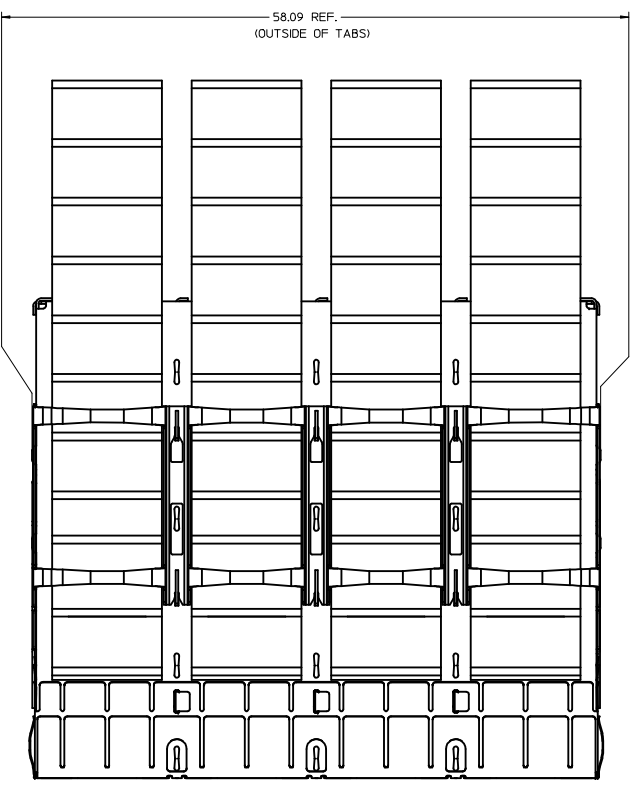
SHOWN



PN/DATE CODE TO BE PRINTED ON THE SIDE OF COMPLETED CAGE ASSEMBLY APPROXIMATELY AS SHOWN.

WEEK/YEAR DATE CODE TABLE	
WW	01 THRU 52 OR 53 EXAMPLE: 01 = FIRST WEEK OF YEAR 52 = LAST WEEK OF YEAR
YY	11, 12, 13 ETC. EXAMPLE: YEAR 2013 = 13

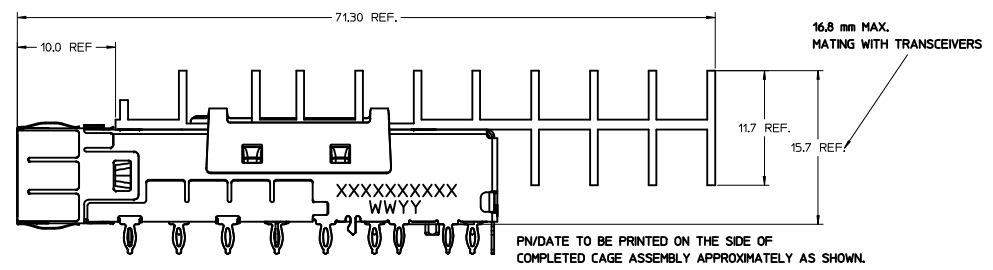
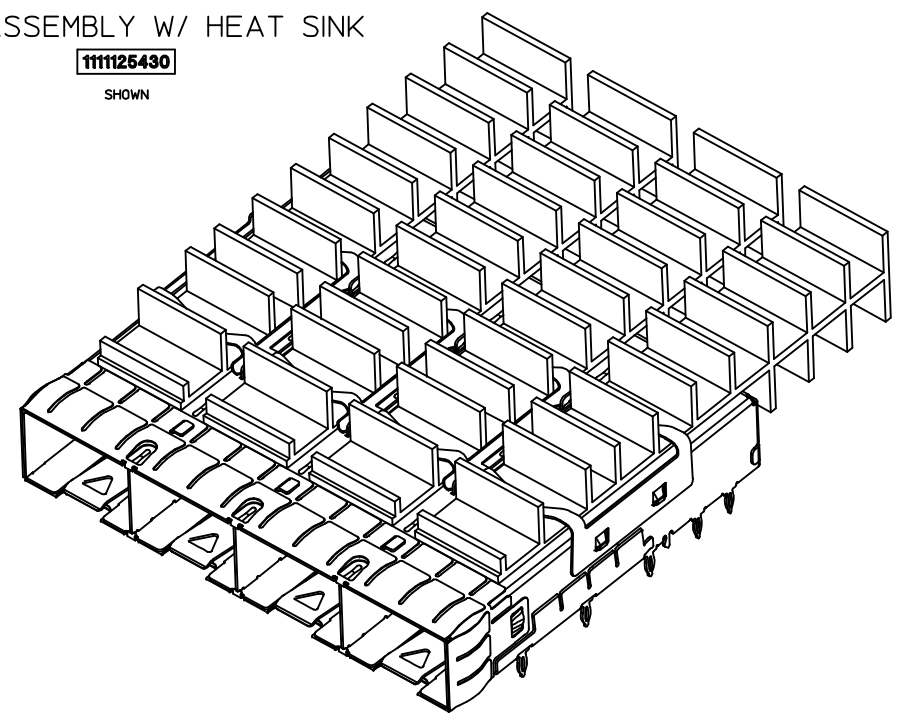
SEE REVISION TABLE EC NO: CPG2016-0646 DRAWN BY: RCHEN08 CHKD: RCHEN08 APPR: RCHEN08 2015/08/11 2015/08/24	QUALITY SYMBOLS ∇=0 ∇=0 ∇=0	GENERAL TOLERANCES (UNLESS SPECIFIED) mm INCH 4 PLACES ± --- ± --- 3 PLACES ± --- ± --- 2 PLACES ± 0.15 ± --- 1 PLACE ± 0.25 ± --- 0 PLACE ± ±	DIMENSION STYLE MM ONLY DRAWN BY: DSUN15 DATE: 2015/02/25 CHECKED BY: RCHEN08 DATE: 2015/02/26 APPROVED BY: RCHEN08 DATE: 2015/04/30	SCALE: 4:1 DESIGN UNITS: METRIC THIRD ANGLE PROJECTION	TITLE: SFP+ 1X4 CAGE, .120 INCH PRESS FIT, HEAT SINKS, WITH EMI SPRING FINGERS molex
	ANGULAR ± 1 ° DRAFT WHERE APPLICABLE MUST REMAIN WITHIN DIMENSIONS	MATERIAL NO: 111124430 SIZE: D	DOCUMENT NO: SD-11112-4430 SHEET NO: 2 OF 8		
	THIS DRAWING CONTAINS INFORMATION THAT IS PROPRIETARY TO MOLEX INCORPORATED AND SHOULD NOT BE USED WITHOUT WRITTEN PERMISSION				



CAGE ASSEMBLY W/ HEAT SINK

111125430

SHOWN



PN/DATE TO BE PRINTED ON THE SIDE OF COMPLETED CAGE ASSEMBLY APPROXIMATELY AS SHOWN.

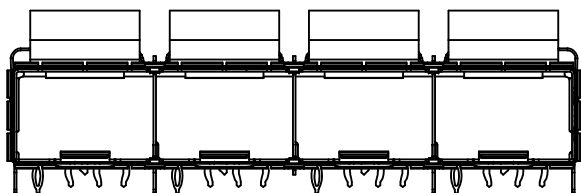
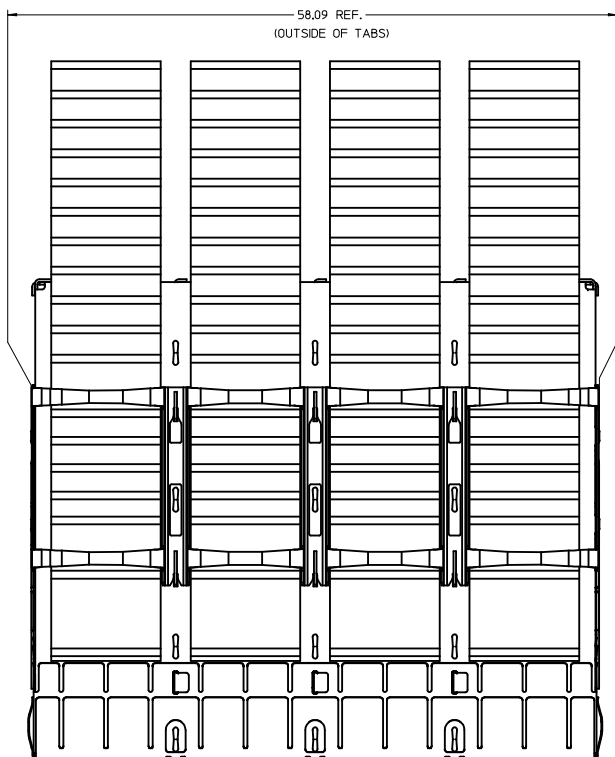
WEEK/YEAR DATE CODE TABLE	
WW	01 THRU 52 OR 53 EXAMPLE: 01 = FIRST WEEK OF YEAR 52 = LAST WEEK OF YEAR
YY	11, 12, 13 ETC. EXAMPLE: YEAR 2013 = 13

SEE REVISION TABLE IEC NO: CPG2016-0646 DRAWN BY: RCHEN08 CHYK: RCHEN08 APPR: RCHEN08 2015/08/24	QUALITY SYMBOLS	GENERAL TOLERANCES (UNLESS SPECIFIED)	DIMENSION STYLE	SCALE	DESIGN UNITS	THIRD ANGLE PROJECTION
	▽=0	4 PLACES ± --- ± ---	MM ONLY	4:1	METRIC	☉
	▽=0	3 PLACES ± --- ± ---	mm			
	▽=0	2 PLACES ± 0.15 ± ---	INCH			
		1 PLACE ± 0.25 ± ---				
		0 PLACE ± ±				
		ANGULAR ± 1 °				
		DRAFT WHERE APPLICABLE MUST REMAIN WITHIN DIMENSIONS				
			MATERIAL NO.			
			111125430			
				DOCUMENT NO.		
				SD-11112-4430		
						SHEET NO.
						3 OF 8

SFP+ 1X4 CAGE, .120 INCH PRESS FIT, HEAT SINKS, WITH EMI SPRING FINGERS

molex

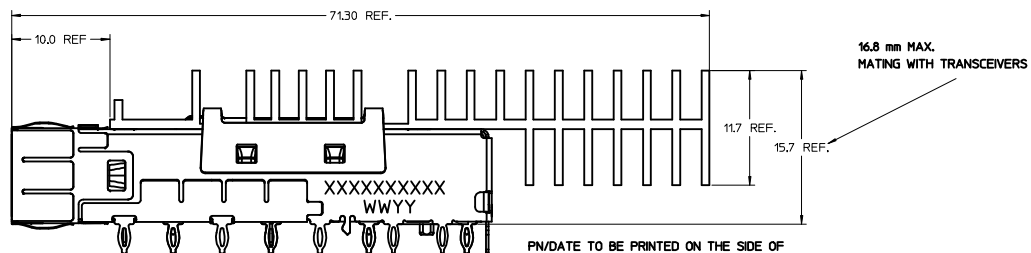
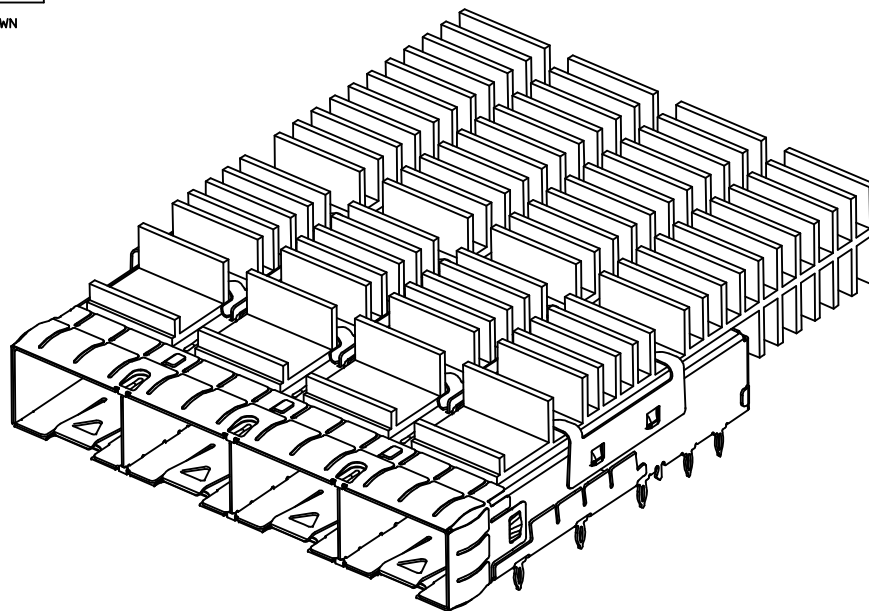
THIS DRAWING CONTAINS INFORMATION THAT IS PROPRIETARY TO MOLEX INCORPORATED AND SHOULD NOT BE USED WITHOUT WRITTEN PERMISSION



CAGE ASSEMBLY W/ HEAT SINK

111126430

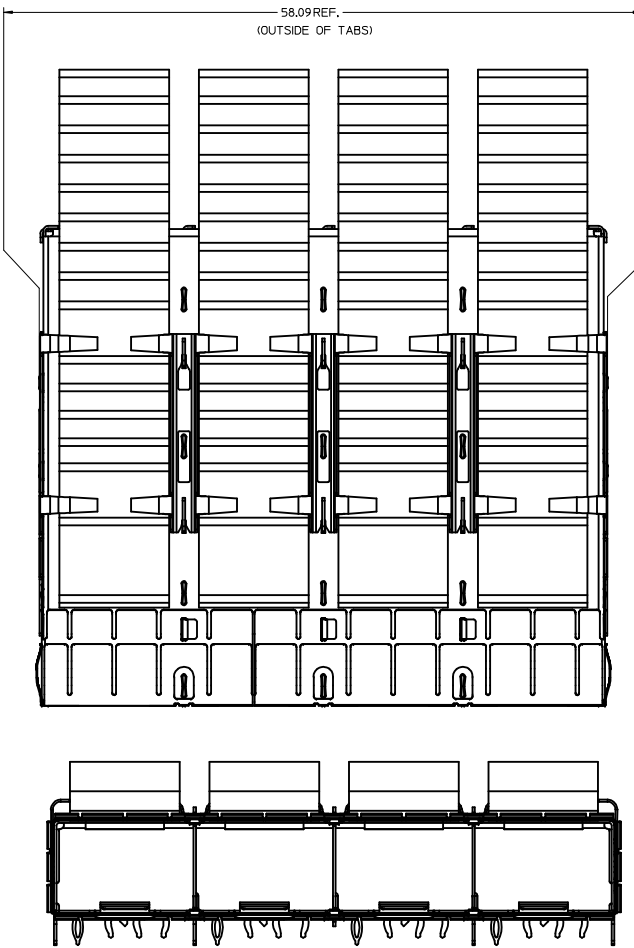
SHOWN



P/N/DATE TO BE PRINTED ON THE SIDE OF COMPLETED CAGE ASSEMBLY APPROXIMATELY AS SHOWN.

WEEK/YEAR DATE CODE TABLE	
WW	01 THRU 52 OR 53 EXAMPLE: 01 = FIRST WEEK OF YEAR 52 = LAST WEEK OF YEAR
YY	11, 12, 13 ETC. EXAMPLE: YEAR 2015 = 15

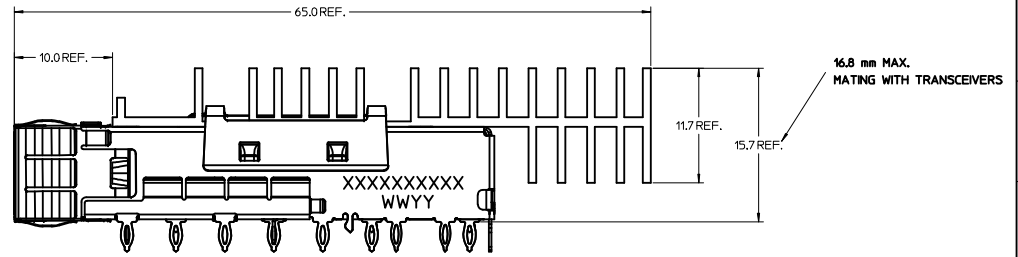
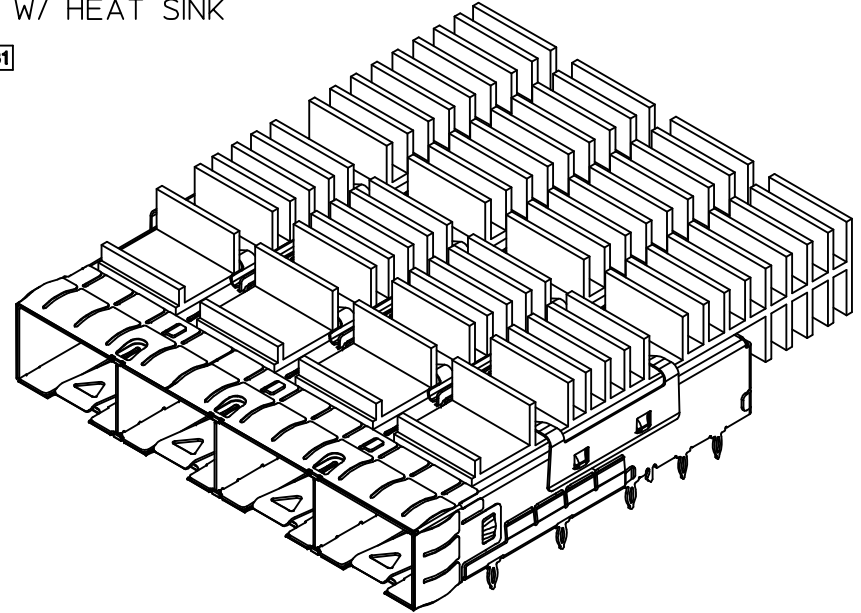
SEE REVISION TABLE EC NO: CPG2016-0646 DRAWN: P. SNETTY 2015/08/11 CHKD: CHYD APPR: RCHEN08 2015/08/24	QUALITY SYMBOLS	GENERAL TOLERANCES (UNLESS SPECIFIED)	DIMENSION STYLE	SCALE	DESIGN UNITS	THIRD ANGLE PROJECTION
	▽=0	mm INCH	MM ONLY	4:1	METRIC	☉
	▽=0	4 PLACES ± --- ± ---	DRAWN BY DATE			
	▽=0	3 PLACES ± --- ± ---	DSUN15 2015/02/25			
	2 PLACES ± 0.15 ± ---	CHECKED BY DATE				TITLE
	1 PLACE ± 0.25 ± ---	RCHEN08 2015/02/26				SFP+ 1X4 CAGE, .120 INCH PRESS FIT, HEAT SINKS, WITH EMI SPRING FINGERS
	0 PLACE ± ±	APPROVED BY DATE				molex
		RCHEN08 2015/04/30				MATERIAL NO. DOCUMENT NO.
						111126430 SD-11112-4430
						SHEET NO.
						4 OF 8
						THIS DRAWING CONTAINS INFORMATION THAT IS PROPRIETARY TO MOLEX INCORPORATED AND SHOULD NOT BE USED WITHOUT WRITTEN PERMISSION



CAGE ASSEMBLY W/ HEAT SINK

111126431

SHOWN

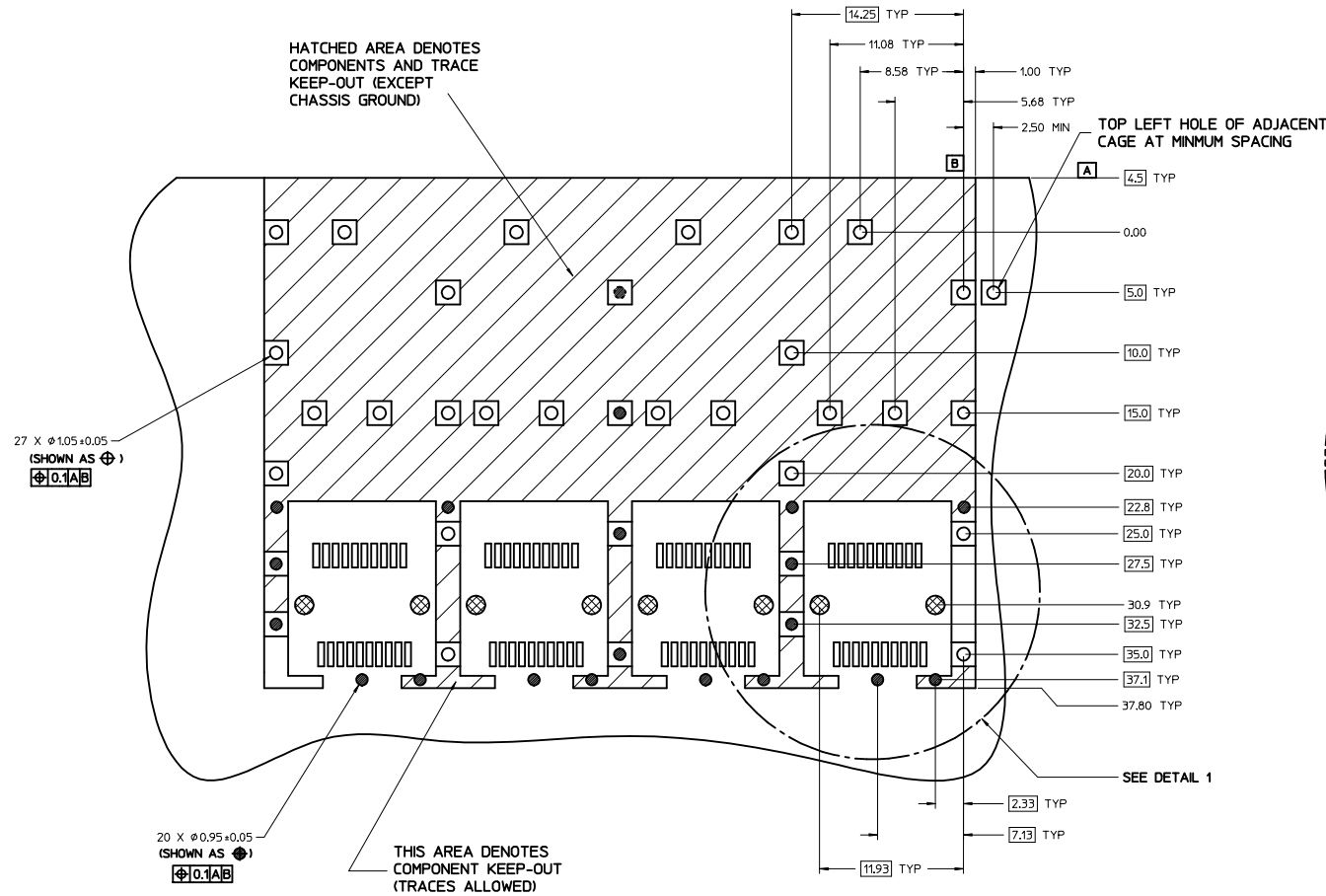


PN/DATE TO BE PRINTED ON THE SIDE OF COMPLETED CAGE ASSEMBLY APPROXIMATELY AS SHOWN.

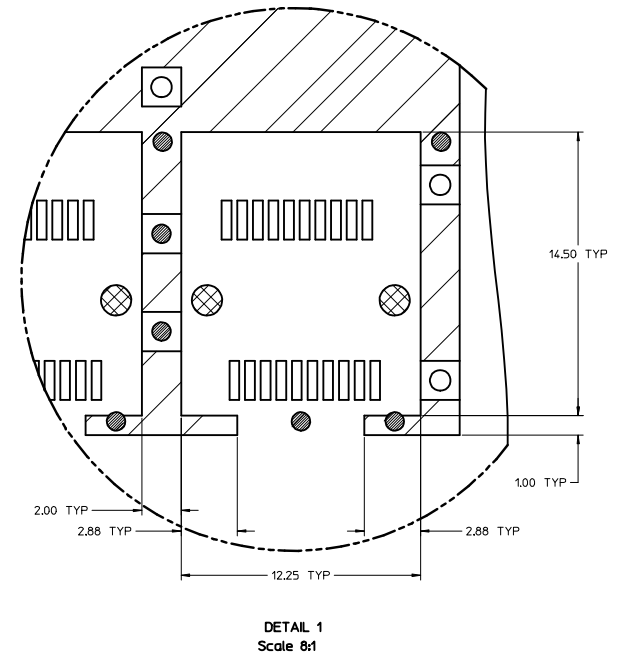
WEEK/YEAR DATE CODE TABLE	
WW	01 THRU 52 OR 53 EXAMPLE: 01 = FIRST WEEK OF YEAR 52 = LAST WEEK OF YEAR
YY	15, 16, 17 ETC. EXAMPLE: YEAR 2015 = 15

SEE REVISION TABLE IEC NO: CPG2016-0646 DRAWN BY: CHYKD APPR: RCHEN08 2015/08/11 2015/08/24	QUALITY SYMBOLS ∇=0 ∇=0 ∇=0	GENERAL TOLERANCES (UNLESS SPECIFIED) mm INCH 4 PLACES ± --- ± --- 3 PLACES ± --- ± --- 2 PLACES ± 0.15 ± --- 1 PLACE ± 0.25 ± --- 0 PLACE ± ±	DIMENSION STYLE MM ONLY DRAWN BY: DSUN15 DATE: 2015/02/25 CHECKED BY: RCHEN08 DATE: 2015/02/26 APPROVED BY: RCHEN08 DATE: 2015/04/30	SCALE: 4:1 DESIGN UNITS: METRIC THIRD ANGLE PROJECTION	TITLE: SFP+ 1X4 CAGE, .120 INCH PRESS FIT, HEAT SINKS, WITH EMI SPRING FINGERS molex	
	ANGULAR ± 1 ° DRAFT WHERE APPLICABLE MUST REMAIN WITHIN DIMENSIONS	MATERIAL NO: 4111126431 SIZE: D	DOCUMENT NO: SD-11112-4430 SHEET NO: 5 OF 8	THIS DRAWING CONTAINS INFORMATION THAT IS PROPRIETARY TO MOLEX INCORPORATED AND SHOULD NOT BE USED WITHOUT WRITTEN PERMISSION		

PCB LAYOUT FOR SINGLE SIDE MOUNT



HOST CONNECTOR DETAIL



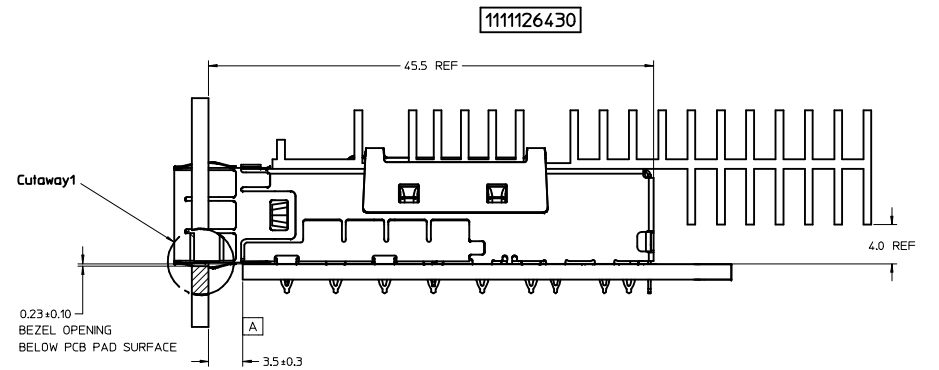
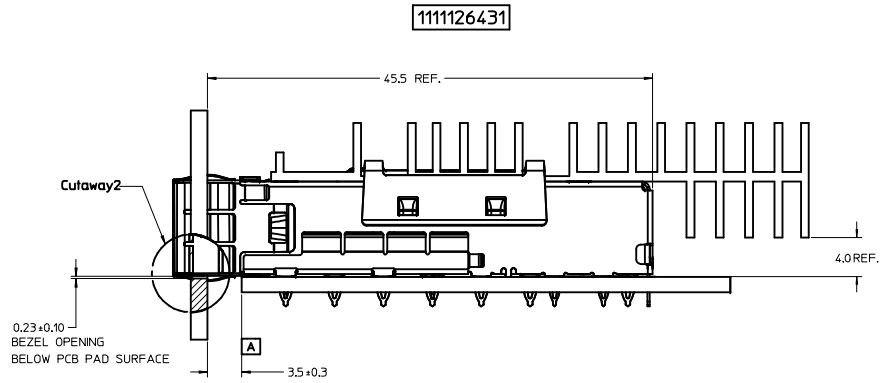
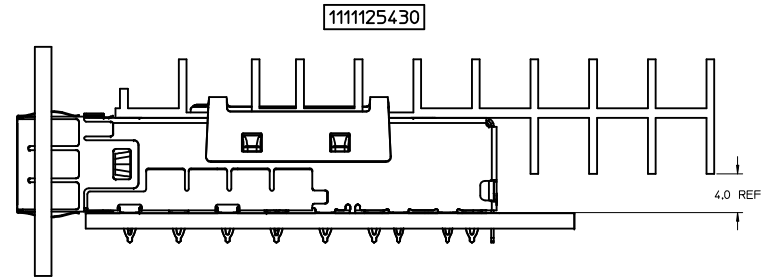
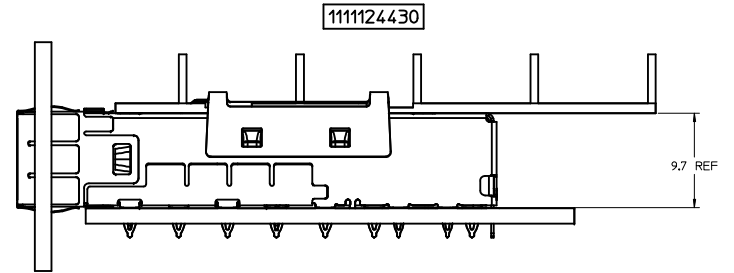
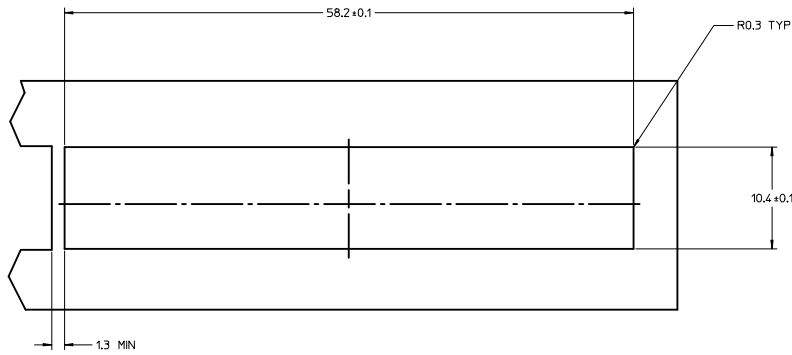
- NOTES:**
1. PADS AND VIAS CONNECT TO CHASSIS GROUND (RECOMMEND PADS TO BE 2.00mm SQUARE)
 2. RECOMMENDED THRU HOLE PLATING INCLUDES HASL, OSP, OR IMMERSION (GOLD, SILVER, OR TIN).
 3. CONNECTOR PAD LAYOUT PER SFP+ MSA WILL ACCOMMODATE MOLEX CONNECTOR SERIES 74441 OR EQUIVALENT.
 4. HOLE PATTERN REPEATS FOR EACH PORT. SPACING BETWEEN PORTS IS 14.25mm.
 5. MIN PCB THICKNESS FOR SINGLE SIDED USE: 1.57mm.

SEE REVISION TABLE EC NO: CPG2016-0646 DRAWN BY: DRWNSHSHETTY CHKD: CHND APPR: RCHEN08 DATE: 2015/08/24	QUALITY SYMBOLS	GENERAL TOLERANCES (UNLESS SPECIFIED)	DIMENSION STYLE	SCALE	DESIGN UNITS	THIRD ANGLE PROJECTION
	▽=0	mm	MM ONLY	4:1	METRIC	⊕
	▽=0	INCH				
	▽=0					
	ANGULAR ± 1 °	DRAFT WHERE APPLICABLE MUST REMAIN WITHIN DIMENSIONS	SIZE	MATERIAL NO.	DOCUMENT NO.	SHEET NO.
			D	SEE TABLE	SD-11112-4430	6 OF 8
THIS DRAWING CONTAINS INFORMATION THAT IS PROPRIETARY TO MOLEX INCORPORATED AND SHOULD NOT BE USED WITHOUT WRITTEN PERMISSION						

TITLE: SFP+ 1X4 CAGE, .120 INCH PRESS FIT, HEAT SINKS, WITH EMI SPRING FINGERS

molex

BEZEL AND BOARD POSITION DIMENSIONS FOR SINGLE SIDE MOUNTING



SEE REVISION TABLE EC NO: CP/G2016-0646 DRAWN: POSHETTY 2015/08/11 CHKD: APPR: RCHEN08 2015/08/24	QUALITY SYMBOLS	GENERAL TOLERANCES (UNLESS SPECIFIED)	DIMENSION STYLE	SCALE	DESIGN UNITS	THIRD ANGLE PROJECTION
	▽=0	mm	MM ONLY	4:1	METRIC	☉
	▽=0	INCH				
	▽=0					
	4 PLACES +---	ANGULAR ± 1 °	DRAWN BY	DATE	TITLE	SFP+ 1X4 CAGE, .120 INCH PRESS FIT, HEAT SINKS, WITH EMI SPRING FINGERS molex
	3 PLACES +---	DRAFT WHERE APPLICABLE MUST REMAIN WITHIN DIMENSIONS	DSUN15	2015/02/25		
	2 PLACES ± 0.15		CHECKED BY	DATE		
	1 PLACE ± 0.25		RCHEN08	2015/02/26		
	0 PLACE ±		APPROVED BY	DATE		
			RCHEN08	2015/04/30		
			MATERIAL NO.	DOCUMENT NO.		SHEET NO.
			SEE TABLE	SD-11112-4430		7 OF 8
			THIS DRAWING CONTAINS INFORMATION THAT IS PROPRIETARY TO MOLEX INCORPORATED AND SHOULD NOT BE USED WITHOUT WRITTEN PERMISSION			

20 19 18 17 16 15 14 13 12 11 10 9 8 7 6 5 4 3 2 1

DATE	REV	DESCRIPTION
2015/02/25	A	INITIAL RELEASE
2015/06/16	B	SHEET 1: ADDED 111112-6431 IN P/N TABLE SHEET 5: ADDED A SHEET FOR 111112-6431 SHEET 7: ADDED VIEW FOR 111112-6431
2015/08/11	C	SHEET 1: ØH17 : ADDED REF. TO DIM 57.9 SHEET 1: ØD12 : ADDED DIM 11.50 REF. SHEET 7: ØL11 : ADDED DIM R0.3 TYP

SEE REVISION TABLE IEC NO: CPG2016-0646 DRAWN BY: CHYKD APPR: RCHEN08 DATE: 2015/08/11	QUALITY SYMBOLS ∇=0 ∇=0 ∇=0	GENERAL TOLERANCES (UNLESS SPECIFIED) mm INCH 4 PLACES ± ± 3 PLACES ± ± 2 PLACES ±0.15 ± 1 PLACE ±0.25 ± 0 PLACE ± ± ANGULAR ± 1 ° DRAFT WHERE APPLICABLE MUST REMAIN WITHIN DIMENSIONS	DIMENSION STYLE MM ONLY DRAWN BY: DSUN15 DATE: 2015/02/25 CHECKED BY: RCHEN08 DATE: 2015/02/26 APPROVED BY: RCHEN08 DATE: 2015/04/30	SCALE 1:1 DESIGN UNITS METRIC THIRD ANGLE PROJECTION	TITLE SFP+ 1X4 CAGE, .120 INCH PRESS FIT, HEAT SINKS WITH EMI SPRING FINGERS molex MATERIAL NO. SEE TABLE DOCUMENT NO. SD-111112-4430	SHEET NO. 8 OF 8
	THIS DRAWING CONTAINS INFORMATION THAT IS PROPRIETARY TO MOLEX INCORPORATED AND SHOULD NOT BE USED WITHOUT WRITTEN PERMISSION					
	SIZE D					