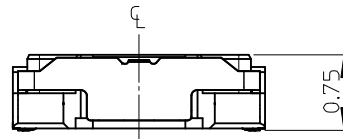
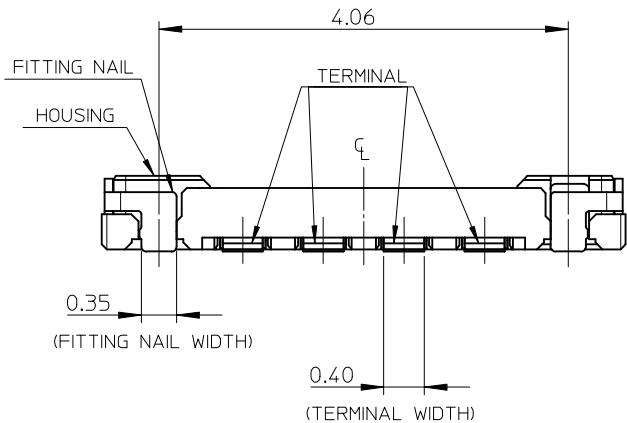


NOTES

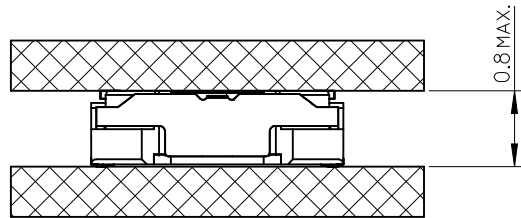
1. MATERIAL  
HOUSING: LIQUID CRYSTAL POLYMER UL94V-0 (COLOR: BLACK)  
TERMINAL FOR POWER OR SIGNAL CIRCUIT : COPPER ALLOY
2. PLATING  
TERMINAL FOR POWER OR SIGNAL CIRCUIT  
GOLD  
UNDER PLATING : NICKEL  
\* DIVIDE INTO PARTS THE GOLD PLATING OF THE CONTACT AND THE TAIL PART BY THE NICKEL PLATING.
3. MATE WITH : 104250 SERIES.
4. TAIL COPLANARITY TO BE 0.08 MAXIMUM.  
FITTING NAIL COPLANARITY TO BE 0.1 MAXIMUM.
5. ELV and RoHS COMPLIANT.



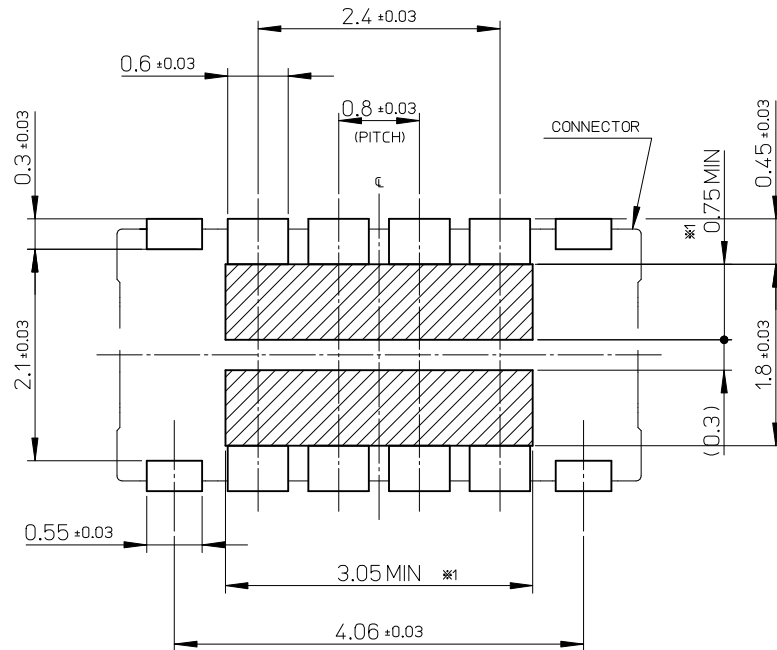
104249-0810	○	-	8
EMBOSSSED TAPE PACKAGE	MASS PRODUCTION	LOW VOL. TOOL	CIRCUIT
ORDER NO.	SAMPLE PREPARATION		

CONNECTOR SERIES No. : 104249

REVISED EC NO: KOR2017-0058 DRWN: JHCHANG 2017/05/31 CHKD: KSK IM 2017/06/02 APPR: YSK IM02 2017/06/07	QUALITY SYMBOLS $\nabla_A = 0$ $\nabla_C = 0$ $\nabla_P = 0$	GENERAL TOLERANCES (UNLESS SPECIFIED)		DIMENSION STYLE MM ONLY		SCALE 20:1	DESIGN UNITS METRIC	THIRD ANGLE PROJECTION	
			mm	INCH	DRAWN BY JHCHANG	DATE 2015/03/06	TITLE 0.8 BB CONN H=0.75 REC ASSY (ONLY POWER TER'L VER.)		
		4 PLACES	± ---	± ---	CHECKED BY KSK IM	DATE 2015/06/08	molex		
		3 PLACES	± 0.1	± ---	APPROVED BY YSK IM02	DATE 2015/06/18			
2 PLACES	± 0.15	± ---	MATERIAL NO. SEE CHART		DOCUMENT NO. SD-104249-001	SHEET NO. 1 OF 4			
1 PLACE	± 0.2	± ---	DRAFT WHERE APPLICABLE MUST REMAIN WITHIN DIMENSIONS		THIS DRAWING CONTAINS INFORMATION THAT IS PROPRIETARY TO MOLEX INCORPORATED AND SHOULD NOT BE USED WITHOUT WRITTEN PERMISSION				
0 PLACE	± ---	± ---	ANGULAR ± 1 °						



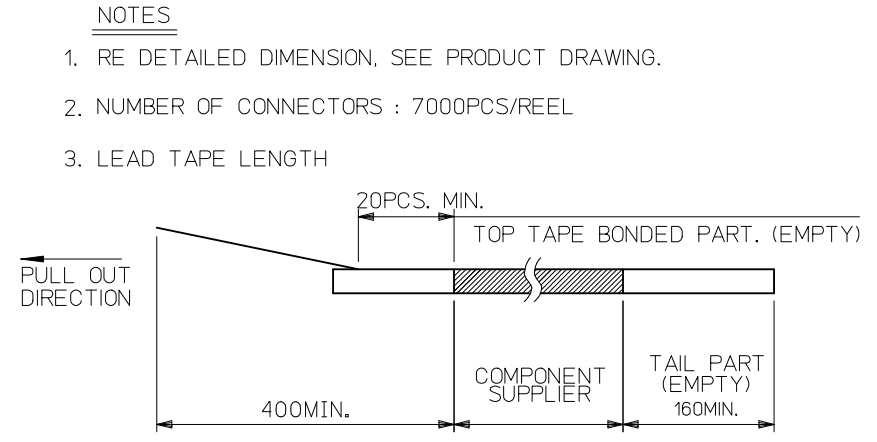
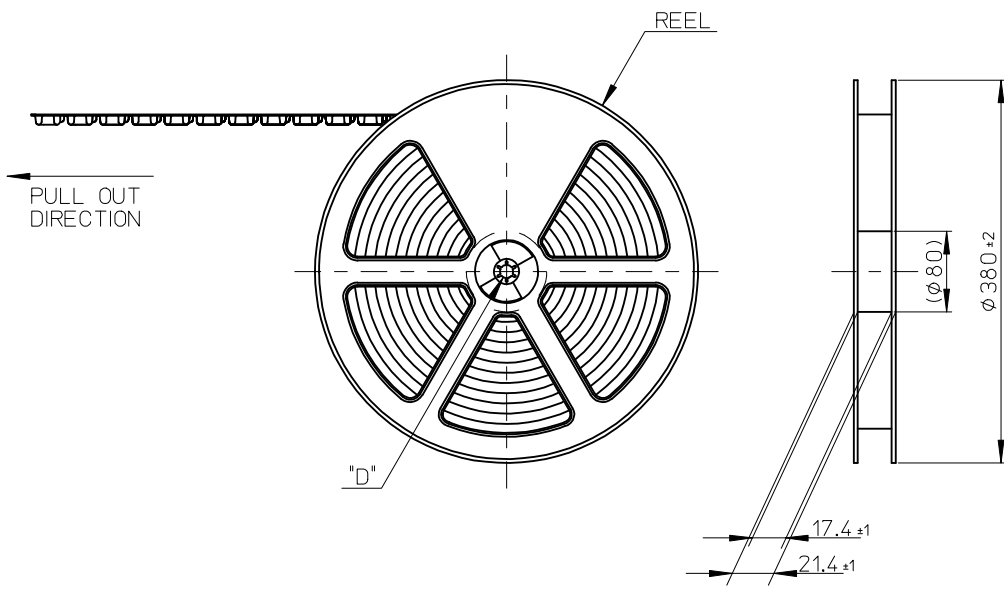
MATED CONDITION



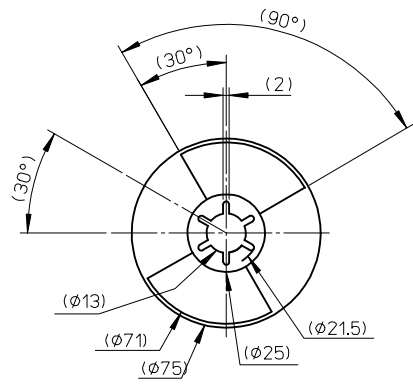
RECOMMENDED P.W.BOARD PATTERN LAYOUT (FOR REFERENCE)  
 RECOMMENDED THICKNESS OF METAL MASK:t=0.1mm  
 RECOMMENDED OPEN APERTURE RATIO OF METAL MASK:80%

※1  
 PROHIBITED AREA OF PATTERN WIRING AND SOLDER.  
 (FOR EACH AREA THE WIRING CAN NOT BE AVAILABLE.  
 AND COVERED WITH A FILM KEEP SOLDER OUT)

REVISED EC NO: KOR2017-0058 DRWN: JHCHANG 2017/05/31 CHKD: KSK IM 2017/06/02 APPR: YSK IM02 2017/06/07	QUALITY SYMBOLS $F_A=0$ $F_G=0$ $F_P=0$	GENERAL TOLERANCES (UNLESS SPECIFIED)		DIMENSION STYLE MM ONLY	SCALE 20:1	DESIGN UNITS METRIC	THIRD ANGLE PROJECTION	
			mm	INCH	DRAWN BY JHCHANG	DATE 2015/03/06	TITLE 0.8 BB CONN H=0.75 REC ASSY (ONLY POWER TER'L VER.)	
		4 PLACES ± --- ± ---			CHECKED BY KSK IM	DATE 2015/06/08	molex	
		3 PLACES ± 0.1 ± --- 2 PLACES ± 0.15 ± --- 1 PLACE ± 0.2 ± --- 0 PLACE ± --- ± ---			APPROVED BY YSK IM02	DATE 2015/06/18	MATERIAL NO. SEE SHEET1	DOCUMENT NO. SD-104249-001
		ANGULAR ± 1 °		THIS DRAWING CONTAINS INFORMATION THAT IS PROPRIETARY TO MOLEX INCORPORATED AND SHOULD NOT BE USED WITHOUT WRITTEN PERMISSION				
		DRAFT WHERE APPLICABLE MUST REMAIN WITHIN DIMENSIONS						



- COVER TAPE PEEL FORCE IS DEFINED BY IEC60286-3.
- MATERIAL  
 CARRIER TAPE : POLYSTYRENE  
 TOP TAPE : PET , OTHER  
 REEL : PS  
 POLYSTYRENE (PS) <RECYCLE MATERIAL CONTAINED>
- ELV AND RoHS COMPLIANT
- THIS PRODUCT IS HIGH BARRIER PACKAGE INCLUDING SILICAGEL.
- REFER TO RPS-104249-001 FOR CONDITIONS AFTER OPEN.



DETAIL "D"

REVISED EC NO: KOR2017-0058 DRWN: JHCHANG 2017/05/31 CHKD: KSK IM 2017/06/02 APPR: YSK IM02 2017/06/07	QUALITY SYMBOLS $F_A=0$ $F_G=0$ $F_P=0$	GENERAL TOLERANCES (UNLESS SPECIFIED)		DIMENSION STYLE MM ONLY		SCALE 20:1	DESIGN UNITS METRIC	THIRD ANGLE PROJECTION			
		4 PLACES ± --- + ---	mm INCH	DRAWN BY JHCHANG	DATE 2015/03/06	TITLE 0.8 BB CONN H=0.75 REC ASSY (ONLY POWER TER'L VER.)					
		3 PLACES ± 0.1 ± ---		CHECKED BY KSK IM	DATE 2015/06/08	MATERIAL NO. SEE SHEET1					
		2 PLACES ± 0.15 ± ---		APPROVED BY YSK IM02	DATE 2015/06/18	DOCUMENT NO. SD-104249-001					
		1 PLACE ± 0.2 ± ---		SHEET NO. 3 OF 4							
		0 PLACE ± --- ± ---		SIZE A3							
DRAFT WHERE APPLICABLE MUST REMAIN WITHIN DIMENSIONS		THIS DRAWING CONTAINS INFORMATION THAT IS PROPRIETARY TO MOLEX INCORPORATED AND SHOULD NOT BE USED WITHOUT WRITTEN PERMISSION									

10 9 8 7 6 5 4 3 2 1

F

E

D

C

B

A

F

E

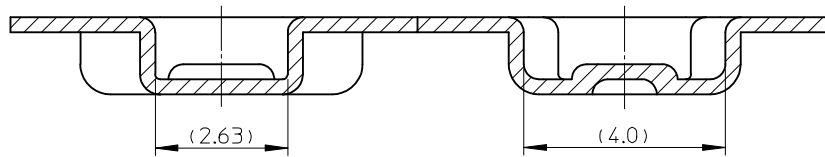
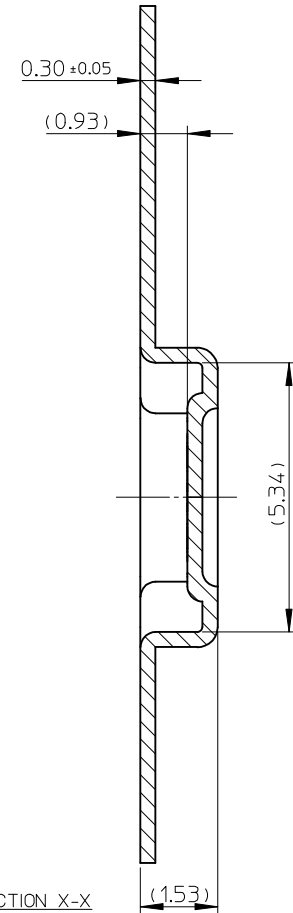
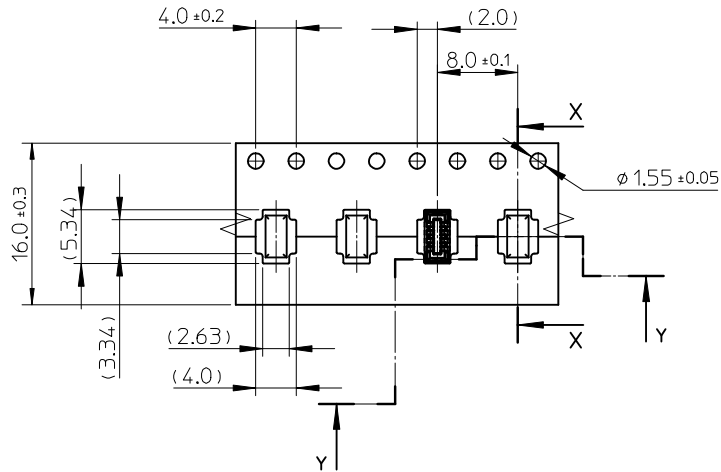
D

C

B

A

PULL OUT DIRECTION →



SECTION Y-Y

SECTION X-X

<b>REVISED</b> EC NO: KOR2017-0058 DRWN: JHCHANG 2017/05/31 CHKD: KSK IM 2017/06/02 APPR: YSK IM02 2017/06/07	QUALITY SYMBOLS $F_A=0$ $F_C=0$ $F_P=0$	GENERAL TOLERANCES (UNLESS SPECIFIED)		DIMENSION STYLE <b>MM ONLY</b>	SCALE <b>20:1</b>	DESIGN UNITS <b>METRIC</b>	THIRD ANGLE PROJECTION	
				DRAWN BY JHCHANG	DATE 2015/03/06	TITLE <b>0.8 BB CONN H=0.75 REC ASSY (ONLY POWER TER'L VER.)</b>		
				CHECKED BY KSK IM	DATE 2015/06/08	<b>molex</b>		
				APPROVED BY YSK IM02	DATE 2015/06/18	MATERIAL NO. <b>SEE SHEET 1</b>	DOCUMENT NO. <b>SD-104249-001</b>	SHEET NO. <b>4 OF 4</b>
D	REV	DESCRIPTION DRAFT WHERE APPLICABLE MUST REMAIN WITHIN DIMENSIONS	ANGULAR $\pm 1^\circ$	SIZE <b>A3</b>	THIS DRAWING CONTAINS INFORMATION THAT IS PROPRIETARY TO MOLEX INCORPORATED AND SHOULD NOT BE USED WITHOUT WRITTEN PERMISSION			

9 8 7 6 5 4 3 2 1