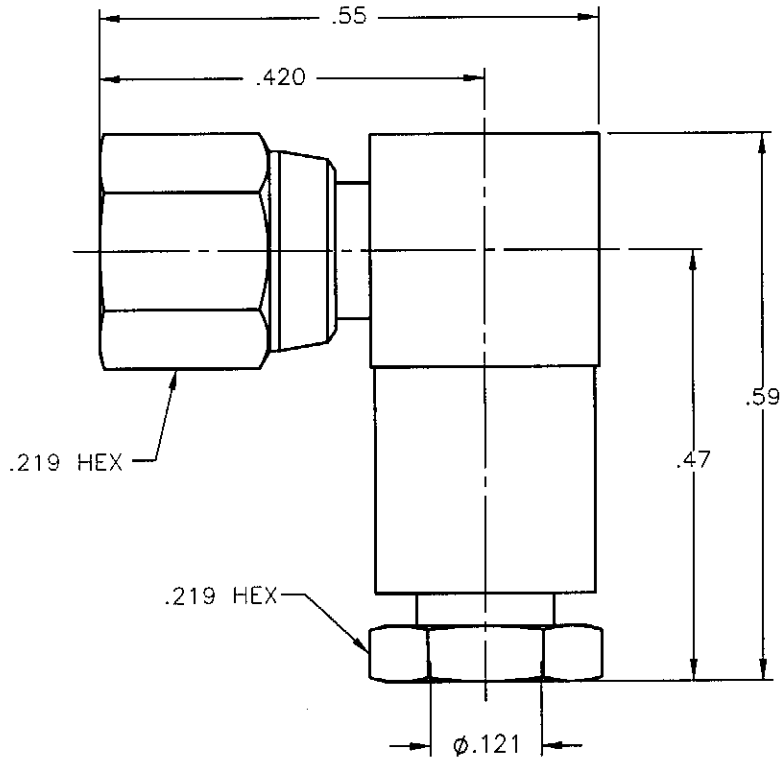


REVISIONS			
REV.	DESCRIPTION	DATE	APPROVED
A	INITIAL RELEASE	03/12/09	D.N.



NOTES:



MATERIALS:

1. CONTACT = BERYLLIUM COPPER PER ASTM B196, ALLOY C17300, TEMPER TD04.
2. INSULATORS = VIRGIN WHITE TEFLON PER ASTM D1710, GRADE 1, TYPE I, CLASS "B".
3. ALL OTHER METAL PARTS = BRASS PER ASTM B16, ALLOY C36000, TEMPER H02.

FINISHES:

1. CONTACT = GOLD PLATE PER MIL-G-45204, TYPE II, CLASS 1, GRADE C, OVER .00010 TO .00020 STRESS FREE SULFAMATE NICKEL PER QQ-N-290.
2. ALL OTHER METAL PARTS = GOLD PLATE PER MIL-G-45204, TYPE II, CLASS 0, GRADE C, OVER .00010 TO .00020 COPPER STRIKE PER MIL-C-14550.

Property of Radiall Incorporated
 This document cannot be reproduced or
 communicated to a third party without prior
 written permission of RADIALL Incorporated.

UNLESS OTHERWISE SPECIFIED DIMENSIONS ARE IN INCHES TOLERANCES ON	DWN:	DATE	 APPLIED ENGINEERING PRODUCTS a RADIALL company 104 John W. Murphy Dr. New Haven, CT 06513
	D.N.	03/12/09	
DECIMAL	ANGLE	CHKD:	SMC RIGHT ANGLE FEMALE PLUG CLAMP TYPE FOR RG-316 & SIMILAR CABLES
		A.D.M.	
		APVD:	SIZE A FSCM NO. 19505 DWG NO. 1005-1551-003 REV A SCALE 5:1 THIRD ANGLE PROJECTION
		J.M.	
REFERENCE:	MATERIALS & FINISHES:		
ORIGINATED: D.N. DATE: 03/12/09	SEE NOTES		SHEET 1 OF 1

1005-1551-003