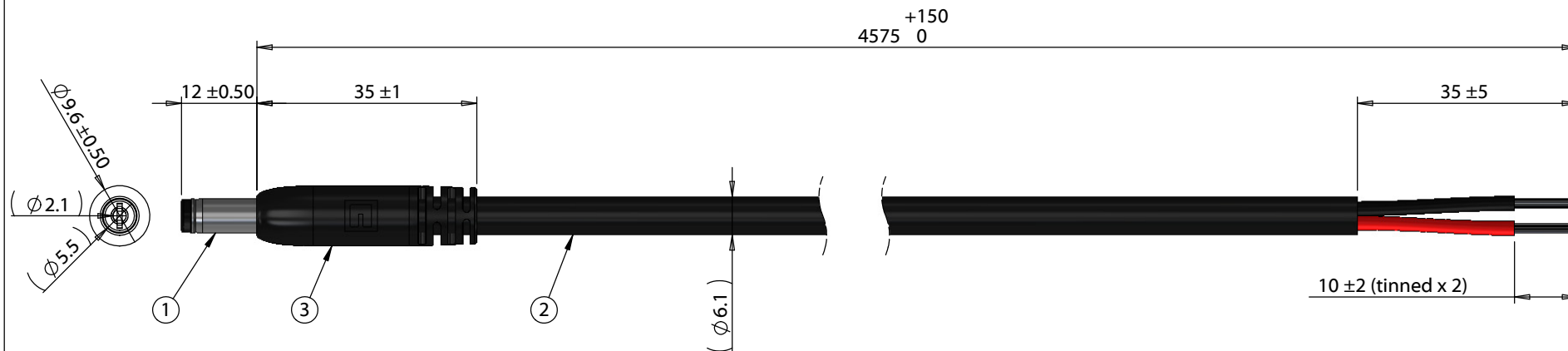


| ITEM NO. | PART NUMBER | DESCRIPTION  | QTY. | COMPONENT NOTES |
|----------|-------------|--|------|-----------------|
| 1        | 50-00024    | Connector, dc plug, 5.5x2.1xL23 mm, molding style, spring contacts | 1    |                 |
| 2        | 30-00680    | Wire, 2C TS, 16 AWG, UL2464, 300V, 80C, 6.1 mm, VW-1, PVC          | 1    |                 |
| 3        | 24-00182    | Overmold, dc plug, 5.5 mm, Tensility                               | 1    | PVC, black      |



**Notes:**  
Functionally equivalent components may be substituted

| Wiring Diagram |            |
|----------------|------------|
| 50-00024       | wire color |
| center         | red        |
| sleeve         | black      |

|           |            |                 |  |  |  |
|-----------|------------|-----------------|--|--|--|
| Revision: | Date:      | Description:    | Prepared:  | Notes:<br>RoHS compliant<br>Function test: no open, no short circuit, no intermittent                    | <h1>TENSILITY</h1> <p>tel 1.541.323.3228 800 877.670.7118<br/>fax 1.541.323.4202 web tensility.com</p> |
| A         | 06/06/2019 | Initial release | Verified:  |  |  |
|           |            |                 | Dimensions are in millimeters.<br>Tolerances:<br>X: ± 0.5 mm<br>X.X: ± 0.3 mm<br>X.XX: ± 0.05 mm | Description:<br>Cable, 4575 mm, 5.5x2.1x12 mm 50-00024 dc plug to stripped tinned, 16 AWG, 30-00680 wire | Size:<br>A   |
|           |            |                 |  |  | Part number:<br>10-03331   |
|           |            |                 |  |  | Scale: 1:1   |
|           |            |                 |  |  | Sheet 1 of 1   |

5

4

3

2

1