

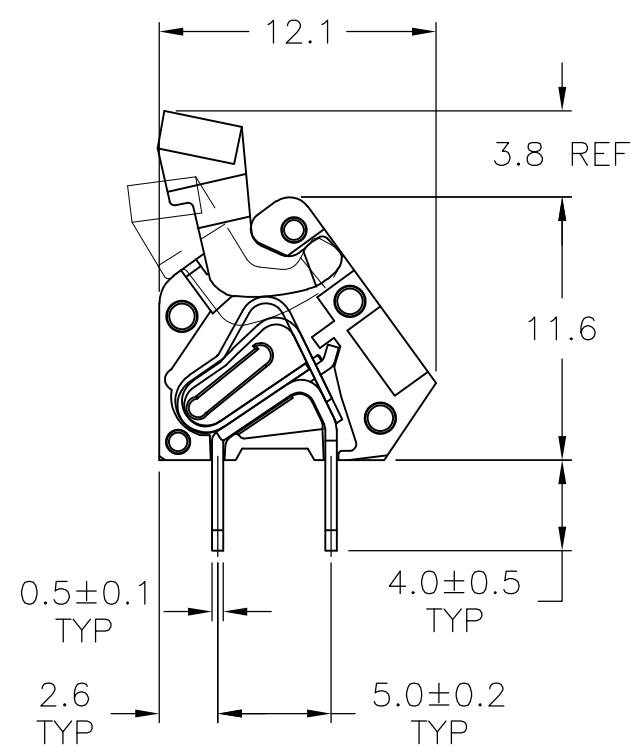
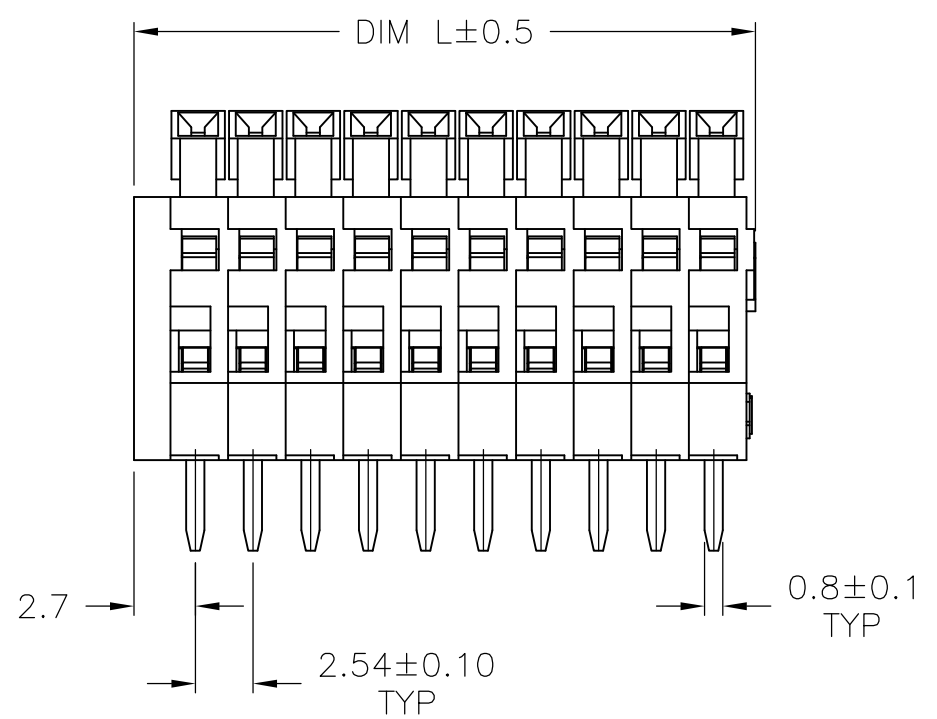
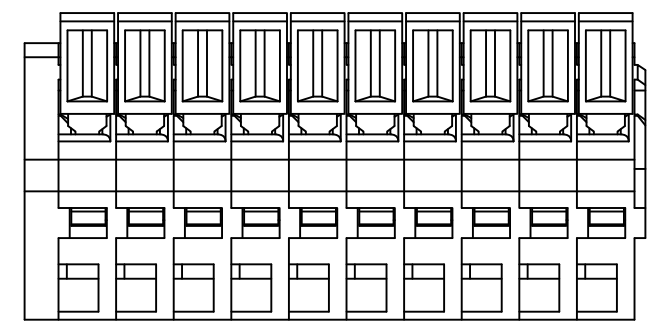
THIS DRAWING IS UNPUBLISHED. RELEASED FOR PUBLICATION
 © COPYRIGHT BY TYCO ELECTRONICS CORPORATION. ALL RIGHTS RESERVED.

LOC	DIST	REVISIONS					
FT	0	P	LTR	DESCRIPTION	DATE	DWN	APVD
		2		REVISED PER ECO-029853	12/17/07	SS	CR

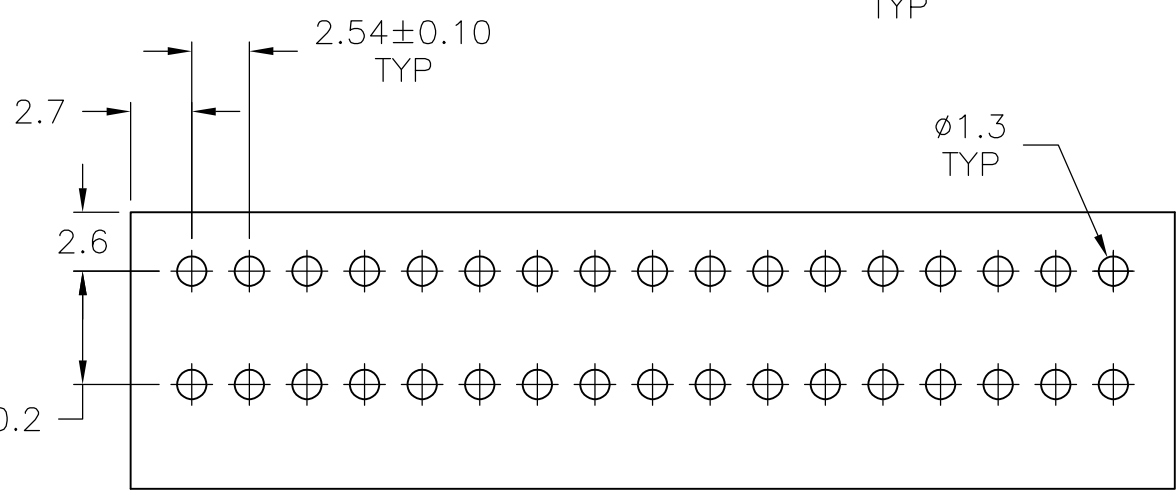
PHYSICAL:
 HOUSING: POLYAMIDE 66, GLASS FILLED, UL94V-0, GRAY.
 TERMINAL: BRASS, TIN PLATED.
 SPRING: STAINLESS STEEL.

ELECTRICAL:
 CURRENT RATING: 4A
 VOLTAGE RATING: 150VAC
 WIRE RANGE: 20-28 AWG
 INSULATION RESISTANCE: >2000Mohm DC500V.
 INSULATION WITHSTANDING: AC1500V MIN.

MECHANICAL:
 OPERATING TEMPERATURE: -40°C TO +105°C



THIS PRINT IS
PRELIMINARY
 PRIOR TO CUSTOMER ORDER
 CONTACT PRODUCT ENGINEERING
 BEFORE USING THIS PRINT



RECOMMENDED PCB LAYOUT

44.68	17	1-1986220-7
42.14	16	1-1986220-6
DIM L	POSN	PART NUMBER

THIS DRAWING IS A CONTROLLED DOCUMENT.		DWN S SCHLEGEL 7/17/07	Tyco Electronics Corporation Harrisburg, PA 17105-3608	
DIMENSIONS: mm	TOLERANCES UNLESS OTHERWISE SPECIFIED:	CHK C RICHARD 7/17/07	NAME 2.54mm SCREWLESS TERMINAL BLOCK	
		APVD C RICHARD 7/17/07	-	
MATERIAL -	FINISH -	PRODUCT SPEC -	APPLICATION SPEC -	RESTRICTED TO -
		WEIGHT -	SIZE A3 CAGE CODE 00779 DRAWING NO C-1986220	SCALE NTS SHEET 1 OF 1 REV 2
CUSTOMER DRAWING				