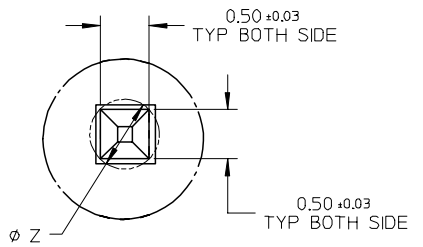


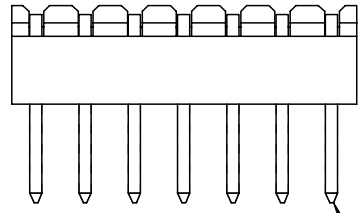
10 9 8 7 6 5 4 3 2 1

F  
E  
D  
C  
B  
A

F  
E  
D  
C  
B  
A



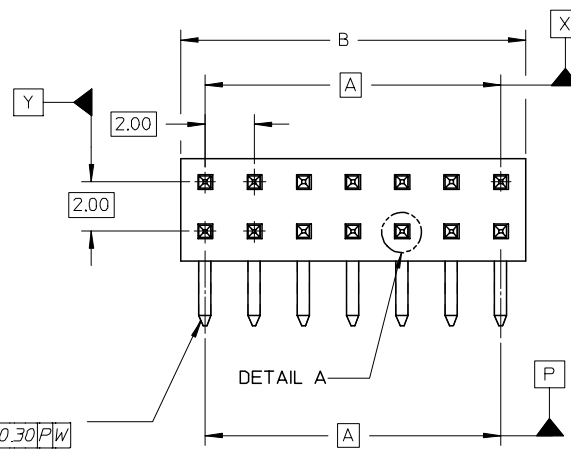
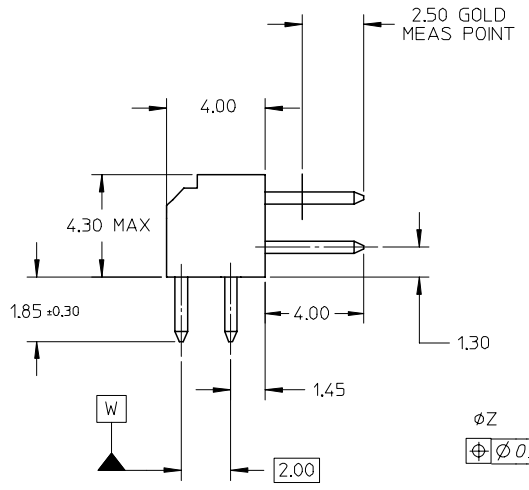
DETAIL A



φ Z  
⊕ ∅ 0.30 X Y

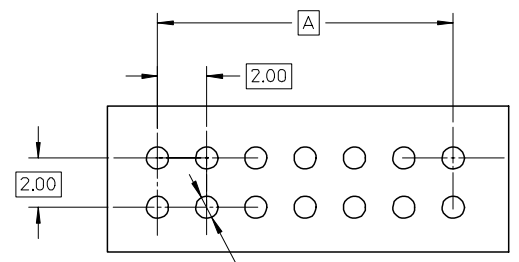
NOTES:

1. MATERIAL:  
HSG: PCT, 30% GLASS FILLED, UL 94V-0, COLOUR BLACK.  
PIN: 0.50MM SQ PHOSPHOR BRONZE 510
2. PLATING:  
GOLD FLASH IN CONTACT AREA,  
TIN IN SOLDER TAIL AREA, BOTH OVER NICKEL OVERALL
3. 14 CKT USED FOR ILLUSTRATION ONLY
4. PART TO BE PACKED IN TAPE & REEL (SEE SHT 2).
5. PRODUCT SPEC PS-87761-100 APPLIES.



φ Z  
⊕ ∅ 0.30 P W

DETAIL A

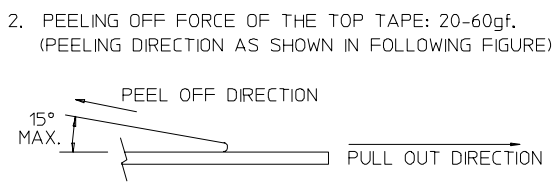
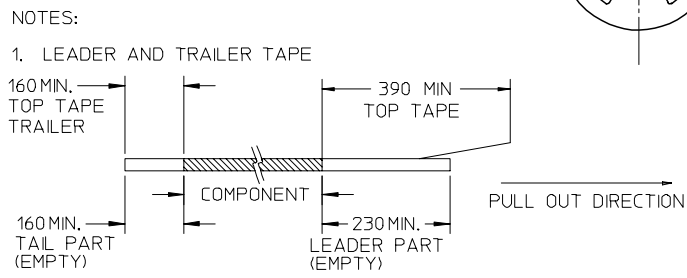
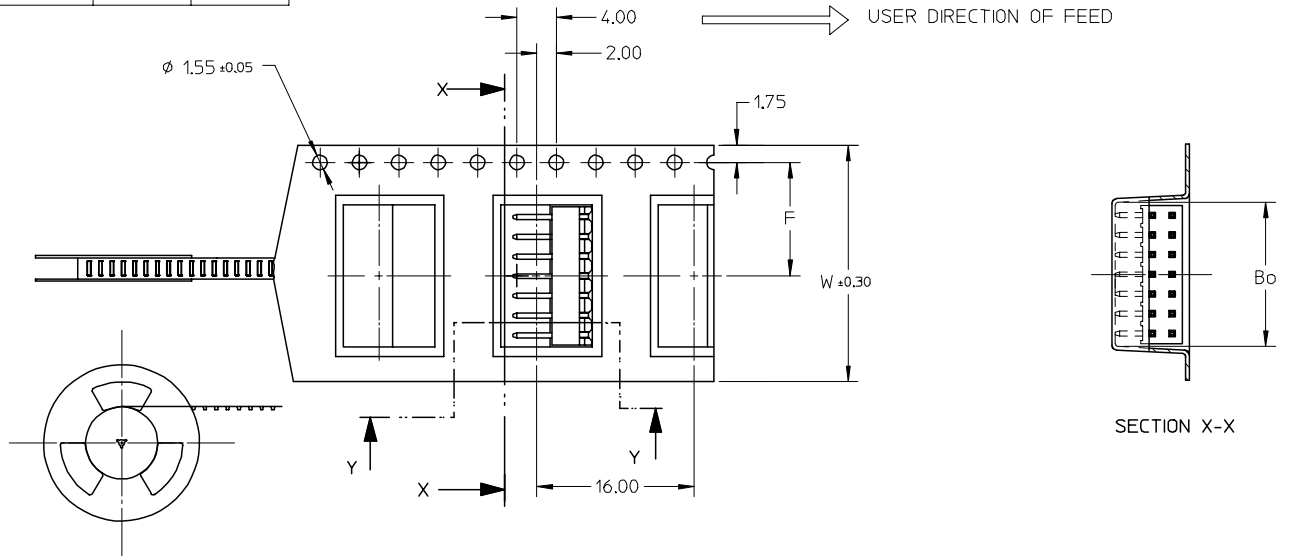


RECOMMENDED PCB LAYOUT

EC NO: S2005-0842 2005/06/01 DRAWN: YLQ1A0 2005/06/01 CHKD: PTLIM 2005/06/01 APPR: SCLOW 2005/06/01	DESCRIPTION REV	QUALITY SYMBOLS	GENERAL TOLERANCES (UNLESS SPECIFIED)	DIMENSION STYLE	SCALE	DESIGN UNITS	THIRD ANGLE PROJECTION															
		$\nabla = 0$ $\sphericalangle = 0$	<table border="1"> <thead> <tr> <th></th> <th>mm</th> <th>INCH</th> </tr> </thead> <tbody> <tr> <td>4 PLACES</td> <td>± ---</td> <td>± ---</td> </tr> <tr> <td>3 PLACES</td> <td>± ---</td> <td>± ---</td> </tr> <tr> <td>2 PLACES</td> <td>± 0.2</td> <td>± ---</td> </tr> <tr> <td>1 PLACE</td> <td>± ---</td> <td>± ---</td> </tr> </tbody> </table>		mm	INCH	4 PLACES	± ---	± ---	3 PLACES	± ---	± ---	2 PLACES	± 0.2	± ---	1 PLACE	± ---	± ---	MM ONLY	NTS	METRIC	
			mm	INCH																		
		4 PLACES	± ---	± ---																		
3 PLACES	± ---	± ---																				
2 PLACES	± 0.2	± ---																				
1 PLACE	± ---	± ---																				
	<table border="1"> <thead> <tr> <th>mm</th> <th>INCH</th> </tr> </thead> <tbody> <tr> <td>4 PLACES</td> <td>± ---</td> </tr> <tr> <td>3 PLACES</td> <td>± ---</td> </tr> <tr> <td>2 PLACES</td> <td>± 0.2</td> </tr> <tr> <td>1 PLACE</td> <td>± ---</td> </tr> </tbody> </table>	mm	INCH	4 PLACES	± ---	3 PLACES	± ---	2 PLACES	± 0.2	1 PLACE	± ---	DRAWN BY: YLQ1A0 DATE: 2005/02/28 CHECKED BY: PTLIM DATE: 2005/06/01 APPROVED BY: SCLOW DATE: 2005/06/01	TITLE: SALES DRAWING MGRID 2MM DUAL ROW HRD. R/A, IN TAPE & REEL									
mm	INCH																					
4 PLACES	± ---																					
3 PLACES	± ---																					
2 PLACES	± 0.2																					
1 PLACE	± ---																					
		DRAFT WHERE APPLICABLE MUST REMAIN WITHIN DIMENSIONS	SEE TABLE	MATERIAL NO. SD-87760-148	DOCUMENT NO. SD-87760-148	SHEET NO. 1 OF 2																

9 8 7 6 5 4 3 2 1

		10	9	8	7	6	5	4	3	2	1
F	PART NUMBER (IN TAPE/REEL)	CKT SIZE	A	B	Bo	F	So	W			
	87760-8011	4	2.00	4.00	4.30	7.50	-	16.00			
	87760-8012	10	8.00	10.00	10.40	11.50	-	24.00			
	87760-8013	12	10.00	12.00	12.40	11.50	-	24.00			
	87760-8014	14	12.00	14.00	14.40	11.50	-	24.00			



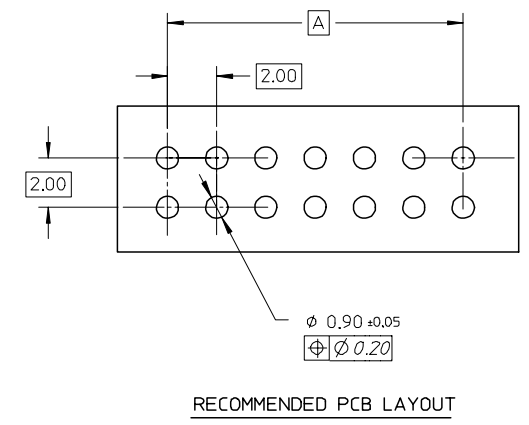
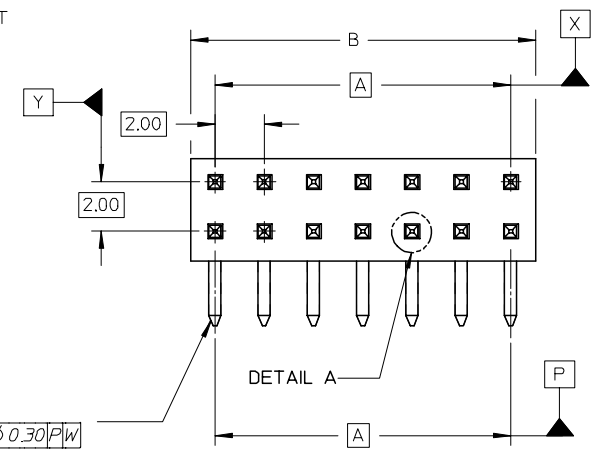
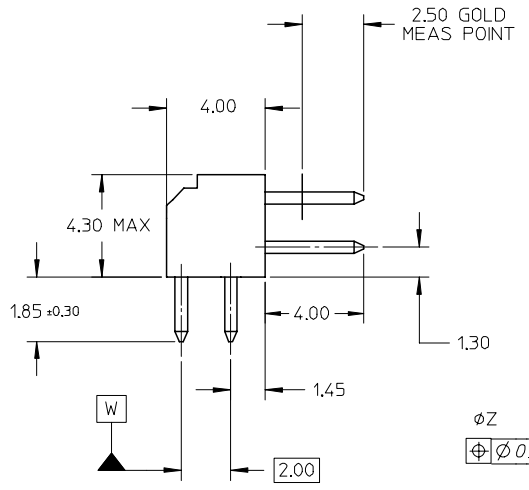
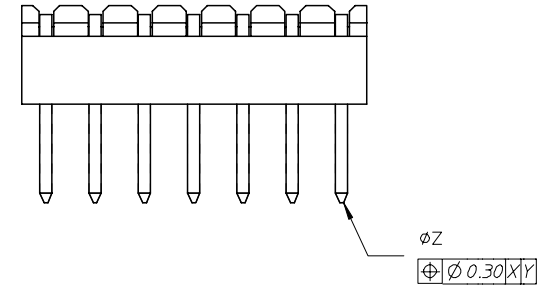
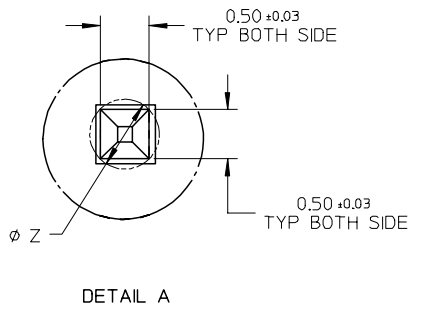
3. PACKAGING STANDARD IS AS PER EIA-481.
4. TAPE & REEL QUANTITY = 500PCS/REEL

EC NO: S2005-0842 2005/06/01	DRWN: YLQIAO 2005/06/01	CHKD: PTLIM 2005/06/01	APPR: SCLOW 2005/06/01	DESCRIPTION	QUALITY SYMBOLS	GENERAL TOLERANCES (UNLESS SPECIFIED)		DIMENSION STYLE MM ONLY		SCALE NTS	DESIGN UNITS METRIC	THIRD ANGLE PROJECTION
					▽=0 ∇=0	4 PLACES ± ---	mm	INCH	DRAWN BY YLQIAO	DATE 2005/02/28	TITLE	
A					DRAFT WHERE APPLICABLE MUST REMAIN WITHIN DIMENSIONS		SEE TABLE		MOLEX INCORPORATED		SALES DRAWING MGRID 2MM DUAL ROW HRD. R/A, IN TAPE & REEL	
					MATERIAL NO.		DOCUMENT NO.		SHEET NO.			
					ANGULAR ± 3 °		SD-87760-148		2 OF 2		THIS DRAWING CONTAINS INFORMATION THAT IS PROPRIETARY TO MOLEX INCORPORATED AND SHOULD NOT BE USED WITHOUT WRITTEN PERMISSION	

10 9 8 7 6 5 4 3 2 1

F  
E  
D  
C  
B  
A

F  
E  
D  
C  
B  
A

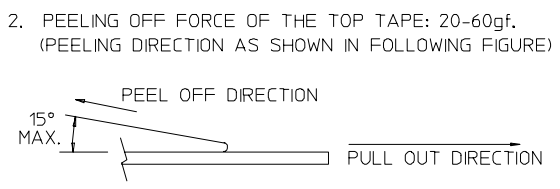
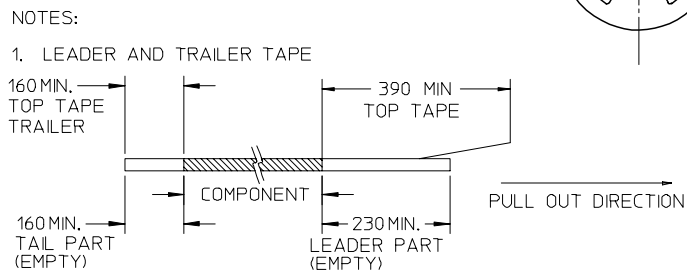
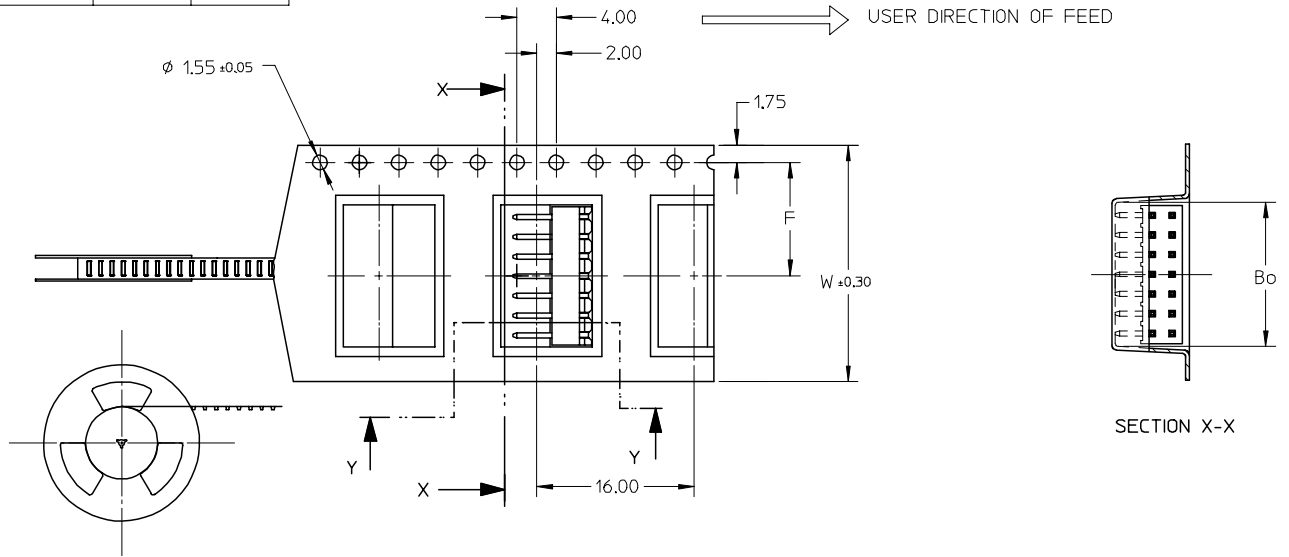


- NOTES:
1. MATERIAL:  
HSG: PCT, 30% GLASS FILLED, UL 94V-0, COLOUR BLACK.  
PIN: 0.50MM SQ PHOSPHOR BRONZE 510
  2. PLATING:  
GOLD FLASH IN CONTACT AREA,  
TIN IN SOLDER TAIL AREA, BOTH OVER NICKEL OVERALL
  3. 14 CKT USED FOR ILLUSTRATION ONLY
  4. PART TO BE PACKED IN TAPE & REEL (SEE SHT 2).
  5. PRODUCT SPEC PS-87761-100 APPLIES.

EC NO: S2005-0842 2005/06/01 DRAWN: YLQ1A0 2005/06/01 CHKD: PTLIM 2005/06/01 APPR: SCLOW 2005/06/01	DESCRIPTION REV	QUALITY SYMBOLS	GENERAL TOLERANCES (UNLESS SPECIFIED)		DIMENSION STYLE	SCALE	DESIGN UNITS	THIRD ANGLE PROJECTION			
		$\nabla = 0$ $\sphericalangle = 0$	mm	INCH	MM ONLY	NTS	METRIC				
			4 PLACES	± ---	± ---	DRAWN BY	DATE	TITLE			
			3 PLACES	± ---	± ---	YLQ1A0	2005/02/28	SALES DRAWING			
	2 PLACES	± 0.2	± ---	CHECKED BY	DATE	MGRID 2MM DUAL ROW HRD.					
	1 PLACE	± ---	± ---	PTLIM	2005/06/01	R/A, IN TAPE & REEL					
		ANGULAR ± 3 °		APPROVED BY	DATE	MOLEX INCORPORATED					
		DRAFT WHERE APPLICABLE MUST REMAIN WITHIN DIMENSIONS		SCLOW	2005/06/01	DOCUMENT NO.		SHEET NO.			
				MATERIAL NO.		SD-87760-148		1 OF 2			
				SIZE	SEE TABLE	THIS DRAWING CONTAINS INFORMATION THAT IS PROPRIETARY TO MOLEX INCORPORATED AND SHOULD NOT BE USED WITHOUT WRITTEN PERMISSION					

9 8 7 6 5 4 3 2 1

		10	9	8	7	6	5	4	3	2	1
F		PART NUMBER (IN TAPE/REEL)	CKT SIZE	A	B	Bo	F	So	W		
		87760-8011	4	2.00	4.00	4.30	7.50	-	16.00		
		87760-8012	10	8.00	10.00	10.40	11.50	-	24.00		
		87760-8013	12	10.00	12.00	12.40	11.50	-	24.00		
		87760-8014	14	12.00	14.00	14.40	11.50	-	24.00		



3. PACKAGING STANDARD IS AS PER EIA-481.
4. TAPE & REEL QUANTITY = 500PCS/REEL

EC NO: S2005-0842 2005/06/01	DRWN: YLQIAO 2005/06/01	CHKD: PTLIM 2005/06/01	APPR: SCLOW 2005/06/01	DESCRIPTION	QUALITY SYMBOLS	GENERAL TOLERANCES (UNLESS SPECIFIED)		DIMENSION STYLE	SCALE	DESIGN UNITS	THIRD ANGLE PROJECTION	
					▽=0 ∇=0	mm	INCH	NTS	METRIC			
DRAWING TITLE					4 PLACES	± ---	± ---	DRAWN BY	DATE	TITLE		
					3 PLACES	± ---	± ---	YLQIAO	2005/02/28	SALES DRAWING		
DRAFT WHERE APPLICABLE MUST REMAIN WITHIN DIMENSIONS					2 PLACES	± 0.2	± ---	CHECKED BY	DATE	MGRID 2MM DUAL ROW HRD. R/A, IN TAPE & REEL		
					1 PLACE	± ---	± ---	PTLIM	2005/06/01	MOLEX INCORPORATED		
SIZE A3					ANGULAR ± 3 °			APPROVED BY	DATE	DOCUMENT NO.		
					SEE TABLE			SCLOW	2005/06/01	SD-87760-148		
MATERIAL NO.					DOCUMENT NO.			SHEET NO.				
								2 OF 2				
THIS DRAWING CONTAINS INFORMATION THAT IS PROPRIETARY TO MOLEX INCORPORATED AND SHOULD NOT BE USED WITHOUT WRITTEN PERMISSION												