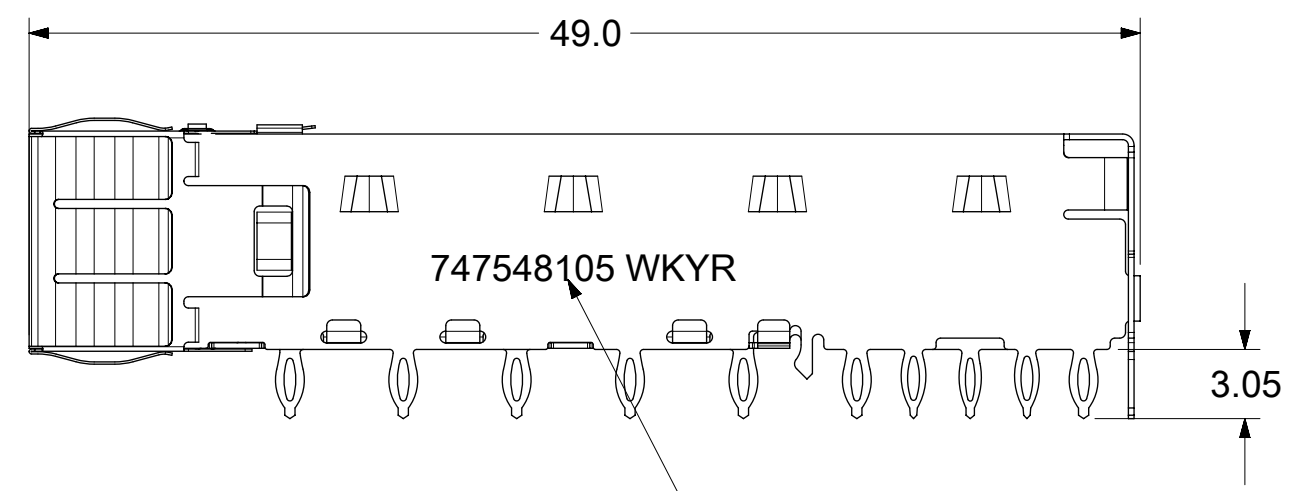
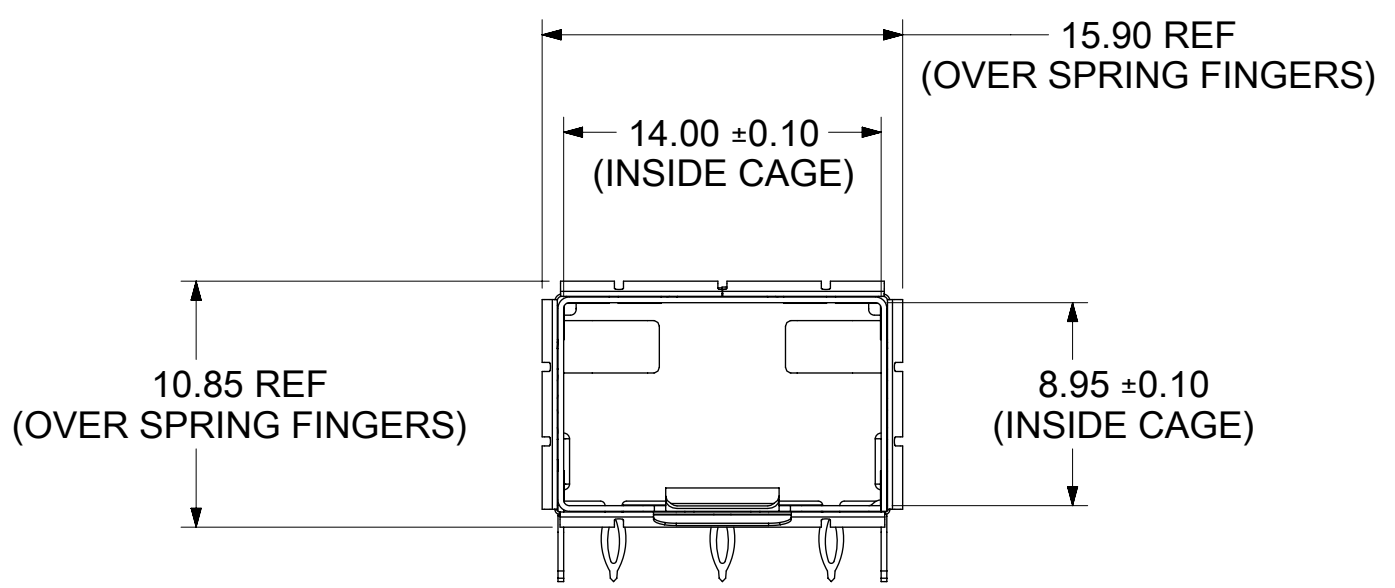


EMI SPRING FINGER



747548105 WKYR

PART NO. AND WEEK/YEAR DATE CODE TO BE STAMPED ON THE SIDE OF COMPLETED CAGE ASSEMBLY APPROXIMATELY AS SHOWN

WEEK/YEAR DATE CODE TABLE

WK	01 THRU 52 OR 53 EXAMPLE: 01 = FIRST WEEK OF YEAR 52= LAST WEEK OF THE YEAR
YR	22, 23, 24 ETC. EXAMPLE: YEAR 2022 = 22

NOTES:

- MATERIAL:
CAGE: NICKEL PLATED COPPER ALLOY, THICKNESS 0.25mm
SPRING FINGER: STAINLESS STEEL.
- PRESS FIT LEGS 3.05 LONG -
1.57 MINIMUM PCB THICKNESS FOR SINGLE SIDED USE
- OPTIONAL LIGHT PIPE ASSEMBLY AVAILABLE
- PORTS ARE DESIGNED FOR SFP+ TRANSCEIVERS AND ARE BACKWARDS COMPATIBLE WITH SFP TRANSCEIVERS
- THIS PART MEETS THE RESTRICTION OF HAZARDOUS SUBSTANCES IN ELECTRICAL AND ELECTRONIC EQUIPMENT (RoHS) DIRECTIVE (2002/95/EC)

FUNCTIONAL SYMBOLS	THIS DRAWING CONTAINS INFORMATION THAT IS PROPRIETARY TO MOLEX ELECTRONIC TECHNOLOGIES, LLC AND SHOULD NOT BE USED WITHOUT WRITTEN PERMISSION		CURRENT REV DESC: SEE REVISION TABLE	
	DIMENSION UNITS	SCALE		
$\nabla_A = 0$	mm	3:1		
$\nabla_E = 0$	GENERAL TOLERANCES (UNLESS SPECIFIED)			
	ANGULAR TOL	± 1.0°		
DIVISIONAL SYMBOLS	4 PLACES	±	EC NO: 707270	
	3 PLACES	±	DRWN: PKH	2022/04/13
	2 PLACES	± 0.15	CHK'D: TKUMARKC	2022/05/25
	1 PLACE	± 0.25	APPR: SCHIEN	2022/06/01
0 PLACES	±	INITIAL REVISION:		
DRAFT WHERE APPLICABLE MUST REMAIN WITHIN DIMENSIONS		THIRD ANGLE PROJECTION	DRAWING	SERIES
			C-SIZE	74754
DOCUMENT STATUS		P1	RELEASE DATE	2022/06/01 06:40:53

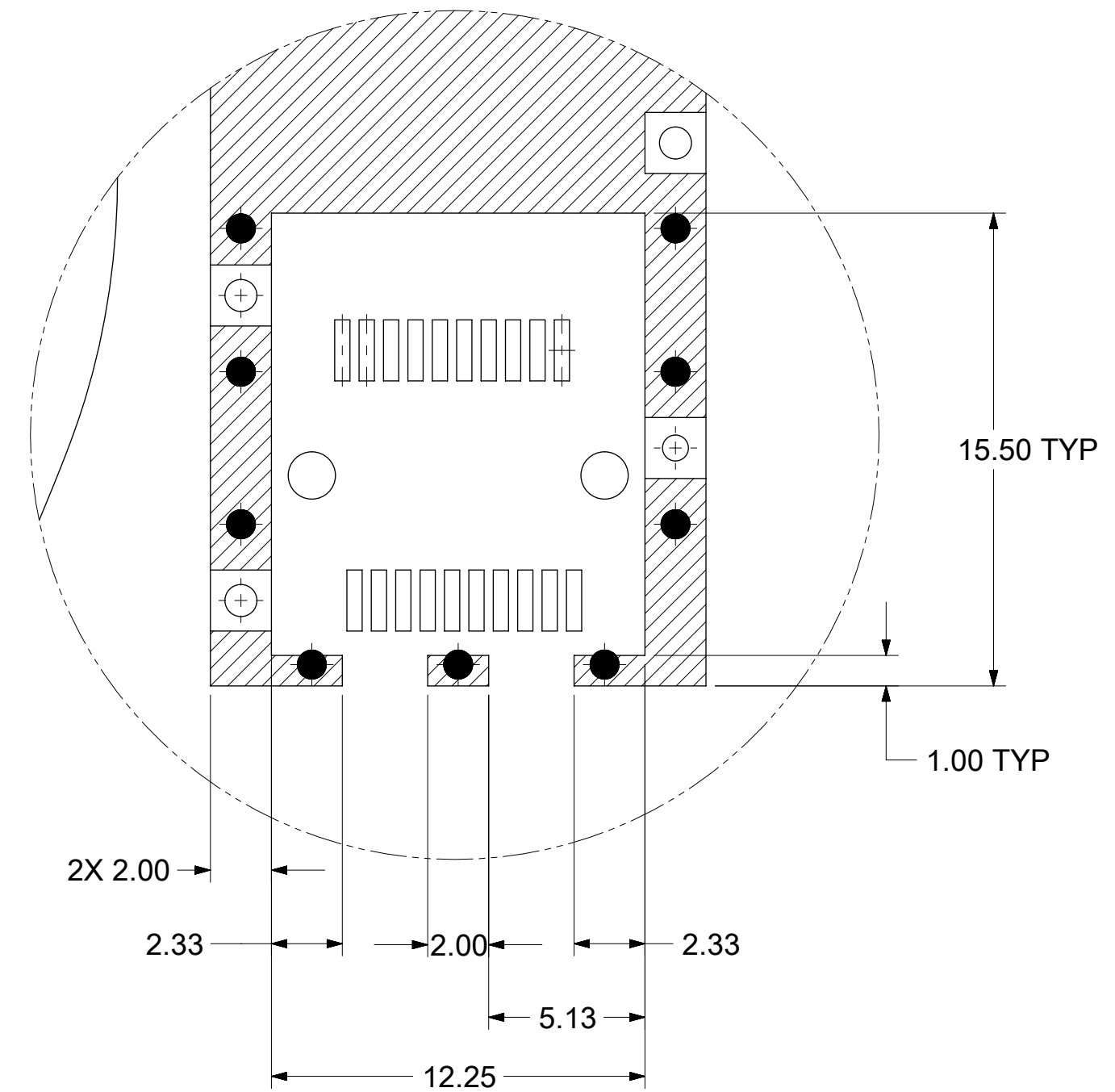
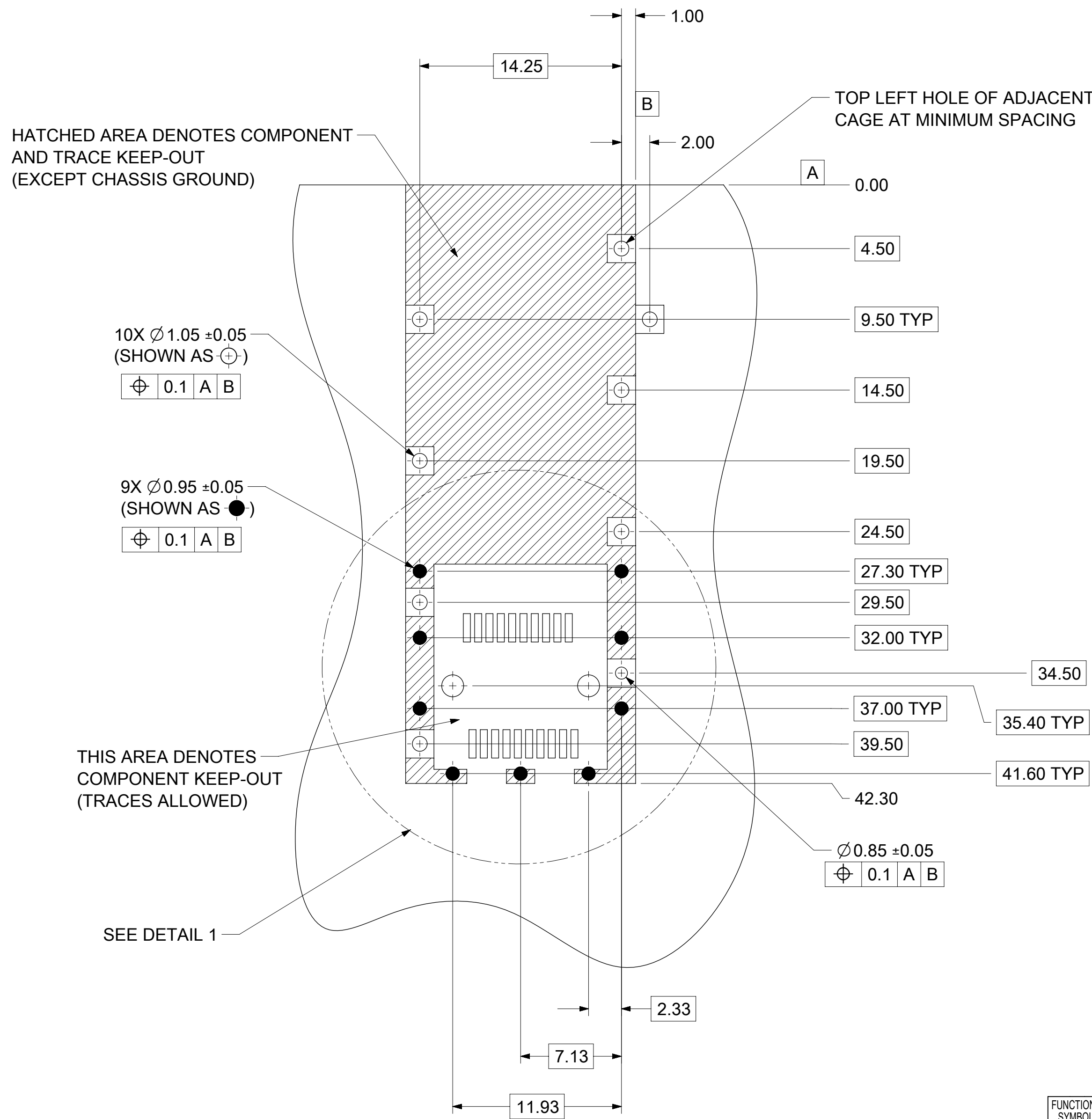
SFP+ 1X1 CAGE ASSEMBLY PRESS FIT TYPE, WITH SUS EMI SPRING FINGERS

PRODUCT CUSTOMER DRAWING

DOCUMENT NUMBER	DOC TYPE	DOC PART	REVISION
747548105	PSD	ASY	A

MATERIAL NUMBER	CUSTOMER	SHEET NUMBER
747548105		1 OF 4

PCB LAYOUT FOR SINGLE SIDE MOUNT



DETAIL 1
SCALE 10:1
HOST CONNECTOR DETAIL

- NOTES:
1. PADS AND VIAS CONNECT TO CHASSIS GROUND (RECOMMEND PADS TO BE 2.00mm SQUARE)
 2. RECOMMENDED THRU HOLE PLATING INCLUDES HASL, OSP, OR IMMERSION (GOLD, SILVER, OR TIN).
 3. CONNECTOR PAD LAYOUT PER SFP+ MSA WILL ACCOMMODATE MOLEX CONNECTOR SERIES 74441 OR EQUIVALENT.

FUNCTIONAL SYMBOLS		THIS DRAWING CONTAINS INFORMATION THAT IS PROPRIETARY TO MOLEX ELECTRONIC TECHNOLOGIES, LLC AND SHOULD NOT BE USED WITHOUT WRITTEN PERMISSION		CURRENT REV DESC: SEE REVISION TABLE	
FA = 0	mm	SCALE	4:1	EC NO: 707270	
FC = 0	GENERAL TOLERANCES (UNLESS SPECIFIED)		DRWN: PKH		2022/04/13
FD = 0	ANGULAR TOL ± 1.0°		CHK'D: TKUMARKC		2022/05/25
DIVISIONAL SYMBOLS		4 PLACES ±		APPR: SCHIEN	
		3 PLACES ±		INITIAL REVISION:	
		2 PLACES ± 0.15		DRWN: PKH	
		1 PLACE ± 0.25		2022/04/13	
		0 PLACES ±		APPR: SCHIEN	
		2022/06/01		DOCUMENT NUMBER	
DRAFT WHERE APPLICABLE MUST REMAIN WITHIN DIMENSIONS		THIRD ANGLE PROJECTION		DRAWING	
		C-SIZE		SERIES	
		74754		MATERIAL NUMBER	
		747548105		CUSTOMER	
				SHEET NUMBER	
				2 OF 4	

molex

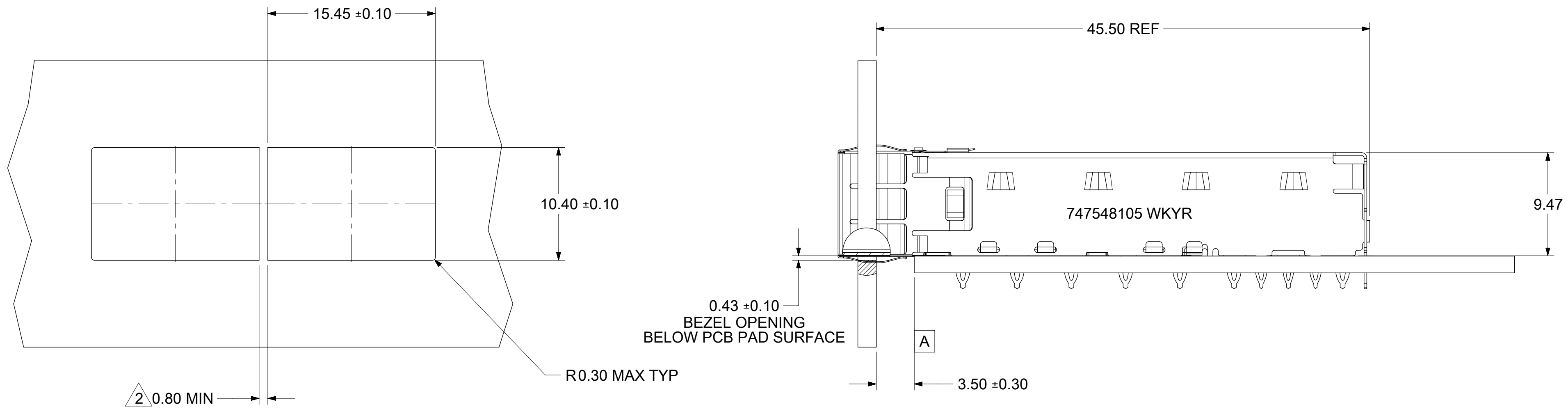
SFP+ 1X1 CAGE ASSEMBLY PRESS FIT TYPE, WITH SUS EMI SPRING FINGERS

PRODUCT CUSTOMER DRAWING

747548105

PSD ASY A

BEZEL AND BOARD POSITION DIMENSIONS FOR SINGLE SIDE MOUNTING (SPRING FINGER)



NOTE:
 1. PCB THICKNESS VARIATION MUST BE CONSIDERED WHEN DETERMINING BEZEL OPENING LOCATION.
 2. THIS DIMENSION IS FOR REFERENCE ONLY. USER CAN MODIFY UT DEPENDS ON APPLICATION.
 (THIS DIMENSION VARIES BASED ON DISTANCE OF "HOLE OF ADJACENT CAGE" ON PCB LAYOUT.)

FUNCTIONAL SYMBOLS	THIS DRAWING CONTAINS INFORMATION THAT IS PROPRIETARY TO MOLEX ELECTRONIC TECHNOLOGIES, LLC AND SHOULD NOT BE USED WITHOUT WRITTEN PERMISSION													
$\frac{F}{A} = 0$	DIMENSION UNITS	SCALE	CURRENT REV DESC: SEE REVISION TABLE							molex				
$\frac{F}{C} = 0$	mm	3.5:1												
$\frac{F}{P} = 0$	GENERAL TOLERANCES (UNLESS SPECIFIED)		EC NO: 707270							SFP+ 1X1 CAGE ASSEMBLY PRESS FIT TYPE, WITH SUS EMI SPRING FINGERS				
	ANGULAR TOL ± 1.0°		DRWN: PKH 2022/04/13											
DIVISIONAL SYMBOLS	4 PLACES ±		CHK'D: TKUMARKC 2022/05/25				PRODUCT CUSTOMER DRAWING							
	2 PLACES ± 0.15		APPR: SCHIEN 2022/06/01											
	1 PLACE ± 0.25		INITIAL REVISION:				DOCUMENT NUMBER							
	0 PLACES ±		DRWN: PKH 2022/04/13											
DRAFT WHERE APPLICABLE MUST REMAIN WITHIN DIMENSIONS			THIRD ANGLE PROJECTION		DRAWING		SERIES		MATERIAL NUMBER		CUSTOMER		SHEET NUMBER	
					C-SIZE		74754		747548105				3 OF 4	

REV	DATE	DESCRIPTION
A	2022/05/25	INITIAL RELEASE

H
G
F
E
D
C
B
A

FUNCTIONAL SYMBOLS	THIS DRAWING CONTAINS INFORMATION THAT IS PROPRIETARY TO MOLEX ELECTRONIC TECHNOLOGIES, LLC AND SHOULD NOT BE USED WITHOUT WRITTEN PERMISSION										
	DIMENSION UNITS	SCALE	CURRENT REV DESC: SEE REVISION TABLE							molex	
$\frac{F}{A} = 0$	mm	1:1	EC NO: 707270 DRWN: PKH 2022/04/13 CHK'D: TKUMARKC 2022/05/25 APPR: SCHIEN 2022/06/01								
$\frac{F}{C} = 0$	GENERAL TOLERANCES (UNLESS SPECIFIED)										
$\frac{F}{P} = 0$	ANGULAR TOL ± 1.0°		INITIAL REVISION: DRWN: PKH 2022/04/13 APPR: SCHIEN 2022/06/01							PRODUCT CUSTOMER DRAWING	
DIVISIONAL SYMBOLS	4 PLACES ±										
	3 PLACES ±		DOCUMENT NUMBER		DOC TYPE	DOC PART	REVISION	747548105 PSD ASY A			
	2 PLACES ± 0.15		747548105		PSD	ASY	A				
	1 PLACE ± 0.25		MATERIAL NUMBER		CUSTOMER		SHEET NUMBER		4 OF 4		
	0 PLACES ±		747548105								
DRAFT WHERE APPLICABLE MUST REMAIN WITHIN DIMENSIONS			THIRD ANGLE PROJECTION	DRAWING	SERIES	MATERIAL NUMBER		CUSTOMER		SHEET NUMBER	
				C-SIZE	74754	747548105				4 OF 4	