

BODY, REAR: ZINC ALLOY
PLATED TIN (100 MICROINCHES)

BODY, FRONT: BRASS
PLATED NICKEL (100 MICROINCHES)

CENTER CONTACT: PHOSPHOR BRONZE
PLATED GOLD (30 MICROINCHES MIN)

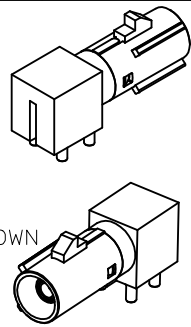
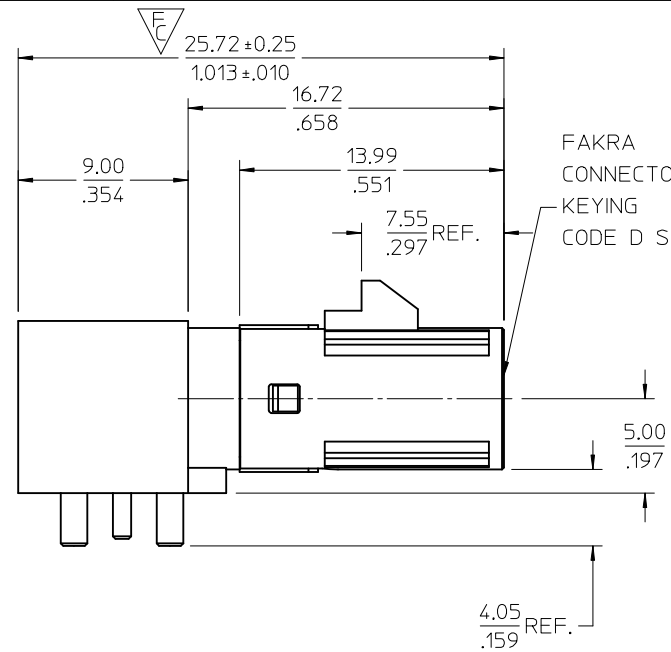
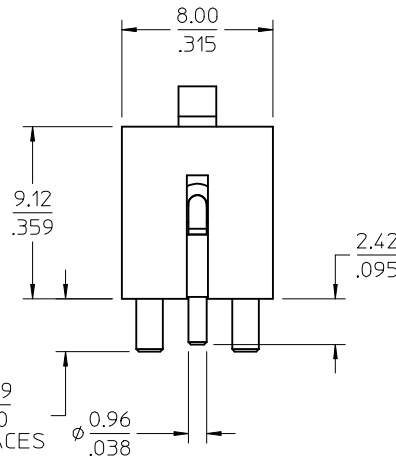
OUTER CASING: HIGH TEMPERATURE PLASTIC
KEYING: SEE TABLE
COLOR: SEE TABLE

INSULATOR: TEFLON

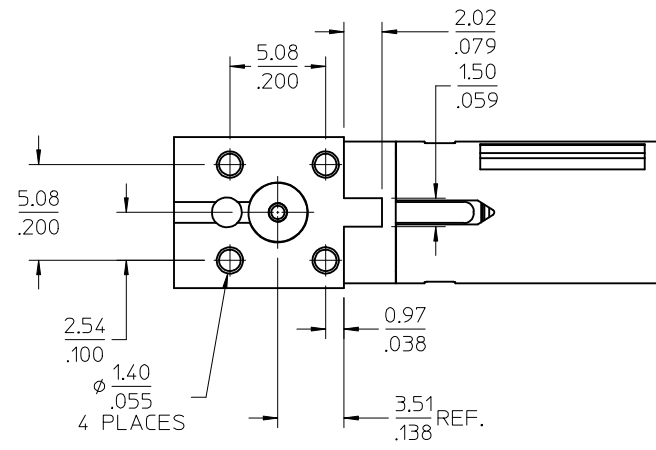
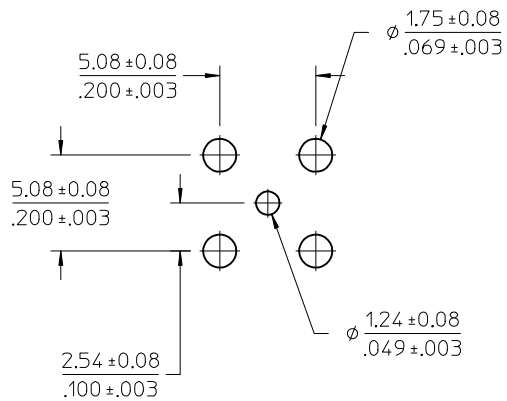
PACKAGING: TRAY

RETENTION SPECIFICATION:

THE FAKRA CONNECTOR SHROUD WILL WITHSTAND 4 PLACES
A LONGITUDINAL FORCE OF 110 N (24.75 LBS)

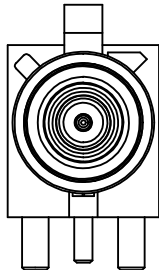


FAKRA CONNECTOR
KEYING
CODE D SHOWN

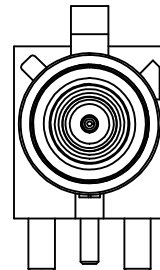


PS-89675-3310	PRODUCT SPEC.
MIL-STD-348A, FIG. 311.1	INTERFACE
SPECIFICATION	DESCRIPTION

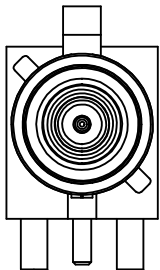
ADDED CRITICAL DIM. PER RF16-E110 EC NO: URF2017-0019 DRW: INELIN 2016/07/11 CHKD: APPR: YCHENG 2016/07/14 REV: B3	QUALITY SYMBOLS ∇=0 ∇=1 ∇=0	GENERAL TOLERANCES (UNLESS SPECIFIED) <table border="1"> <thead> <tr> <th></th> <th>mm</th> <th>INCH</th> </tr> </thead> <tbody> <tr> <td>4 PLACES</td> <td>± .10</td> <td>± .004</td> </tr> <tr> <td>3 PLACES</td> <td>± .15</td> <td>± .005</td> </tr> <tr> <td>2 PLACES</td> <td>± 0.25</td> <td>± .010</td> </tr> <tr> <td>1 PLACE</td> <td>± .50</td> <td>± .020</td> </tr> <tr> <td>0 PLACE</td> <td>± 1.00</td> <td>± .040</td> </tr> </tbody> </table>		mm	INCH	4 PLACES	± .10	± .004	3 PLACES	± .15	± .005	2 PLACES	± 0.25	± .010	1 PLACE	± .50	± .020	0 PLACE	± 1.00	± .040	DIMENSION STYLE MM/IN DRAWN BY: EL IN DATE: 2012/02/02 CHECKED BY: KERRIE DATE: 2012/02/02 APPROVED BY: MHUANG DATE: 2012/02/07	SCALE: 5:1 DESIGN UNITS: METRIC THIRD ANGLE PROJECTION	TITLE: SMB JACK, FAKRA,R/A, PCB 50 OHMS SMB-J/PCB molex	MATERIAL NO.: SEE SHEET 1 DOCUMENT NO.: SD-73404-081 SHEET NO.: 1 OF 2
		mm	INCH																					
	4 PLACES	± .10	± .004																					
	3 PLACES	± .15	± .005																					
2 PLACES	± 0.25	± .010																						
1 PLACE	± .50	± .020																						
0 PLACE	± 1.00	± .040																						
ANGULAR ± 2° DRAFT WHERE APPLICABLE MUST REMAIN WITHIN DIMENSIONS		THIS DRAWING CONTAINS INFORMATION THAT IS PROPRIETARY TO MOLEX INCORPORATED AND SHOULD NOT BE USED WITHOUT WRITTEN PERMISSION																						



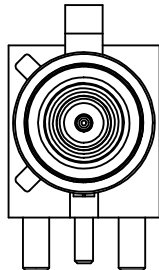
CODE A



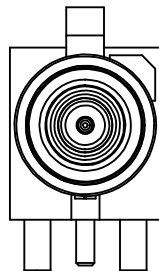
CODE B



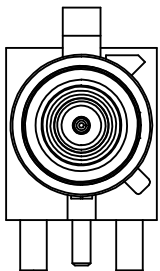
CODE C



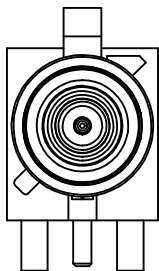
CODE D



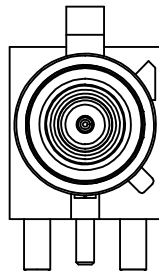
CODE E



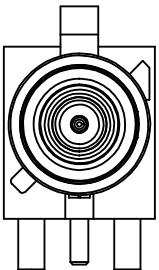
CODE F



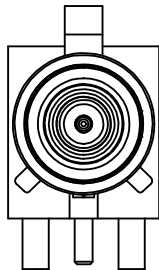
CODE G



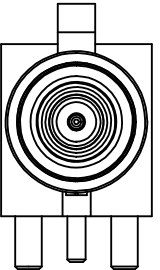
CODE H



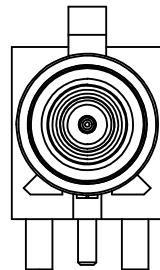
CODE I



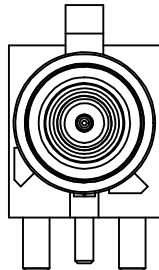
CODE K



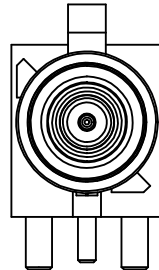
CODE Z



CODE L



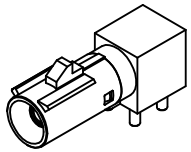
CODE M



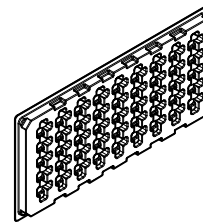
CODE N

N	PASTEL GREEN	73404-0823
M	PASTEL ORANGE	73404-0822
L	CARMINE RED	73404-0821
Z	WATER BLUE	73404-0820
K	CURRY YELLOW	73404-0819
I	BEIGE	73404-0818
H	VIOLET	73404-0817
G	GRAY	73404-0816
F	BROWN	73404-0815
E	GREEN	73404-0814
D	BORDEAUXVIOLET	73404-0813
C	BLUE	73404-0812
B	SIGNAL WHITE	73404-0811
A	BLACK	73404-0810
KEYING CODE	COLOR	PART NO.

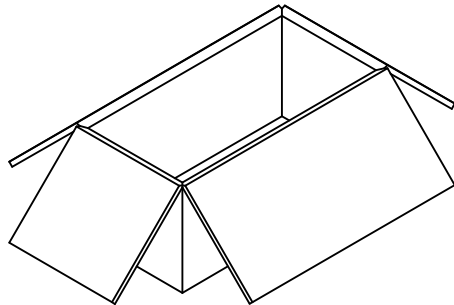
SEE SHEET 1 EC NO: URF2017-0019 DRW:INELIN 2016/07/11 CHKD: APPR:YCHENG 2016/07/14 REV: B3	QUALITY SYMBOLS ▽=0 ▽=0 ▽=0	GENERAL TOLERANCES (UNLESS SPECIFIED) <table border="1"> <tr> <td></td> <td>mm</td> <td>INCH</td> </tr> <tr> <td>4 PLACES</td> <td>± ---</td> <td>± ---</td> </tr> <tr> <td>3 PLACES</td> <td>± ---</td> <td>± .010</td> </tr> <tr> <td>2 PLACES</td> <td>± 0.25</td> <td>± ---</td> </tr> <tr> <td>1 PLACE</td> <td>± ---</td> <td>± ---</td> </tr> <tr> <td>0 PLACE</td> <td>± ---</td> <td>± ---</td> </tr> </table>		mm	INCH	4 PLACES	± ---	± ---	3 PLACES	± ---	± .010	2 PLACES	± 0.25	± ---	1 PLACE	± ---	± ---	0 PLACE	± ---	± ---	DIMENSION STYLE MM/IN DRAWN BY DATE EL IN 2012/02/02 CHECKED BY DATE KERRIE 2012/02/02 APPROVED BY DATE MHUANG 2012/02/07	SCALE 5:1 DESIGN UNITS METRIC THIRD ANGLE PROJECTION	TITLE SMB JACK, FAKRA,R/A, PCB 50 OHMS SMB-J/PCB molex	MATERIAL NO. SEE TABLE DOCUMENT NO. SD-73404-081 SHEET NO. 2 OF 2
		mm	INCH																					
	4 PLACES	± ---	± ---																					
	3 PLACES	± ---	± .010																					
2 PLACES	± 0.25	± ---																						
1 PLACE	± ---	± ---																						
0 PLACE	± ---	± ---																						
DRAFT WHERE APPLICABLE MUST REMAIN WITHIN DIMENSIONS		ANGULAR ± 2 °	SIZE C	THIS DRAWING CONTAINS INFORMATION THAT IS PROPRIETARY TO MOLEX INCORPORATED AND SHOULD NOT BE USED WITHOUT WRITTEN PERMISSION																				



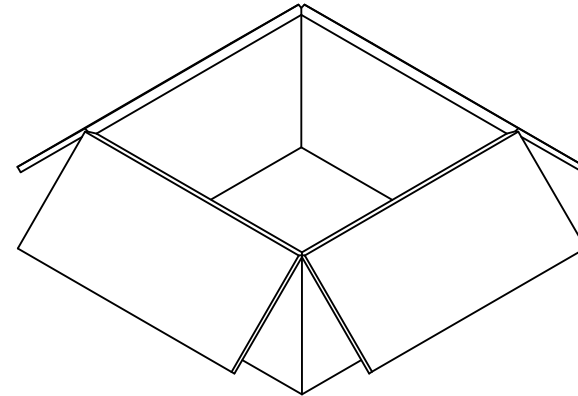
P/N 73404-081X



45 SET PER TRAY
TRAY P/N 89707-0253



720 SET PER INNER
CARTON BOX
P/N 96707-0001



1440 SET PER OUTER
CARTON BOX
P/N 96708-0005

RF10-E059 EC NO: URF2010-0220 DRWNLIN 2009/11/03 CHKD: 2009/11/04 APPR:MHUANG 2009/11/05 REV: A	DESCRIPTION QUALITY SYMBOLS ▼=0 ▽=0	GENERAL TOLERANCES (UNLESS SPECIFIED)		DIMENSION STYLE MM/IN		SCALE	DESIGN UNITS METRIC	THIRD ANGLE PROJECTION	
		4 PLACES ± --- ± ---	mm INCH	DRAWN BY EVITA	DATE 2009/10/30	TITLE PACKAGING FOR 73404-081			
		3 PLACES ± --- ± ---		CHECKED BY ALEX	DATE 2009/10/30				
		2 PLACES ± --- ± ---		APPROVED BY MISEN	DATE 2009/10/30				
		1 PLACE ± --- ± ---		MATERIAL NO. -----	DOCUMENT NO. SD-73404-081-PKG	SHEET NO. 1 OF 1			
DRAFT WHERE APPLICABLE MUST REMAIN WITHIN DIMENSIONS		THIS DRAWING CONTAINS INFORMATION THAT IS PROPRIETARY TO MOLEX INCORPORATED AND SHOULD NOT BE USED WITHOUT WRITTEN PERMISSION							