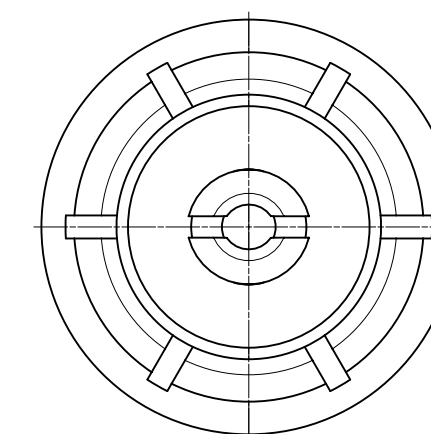
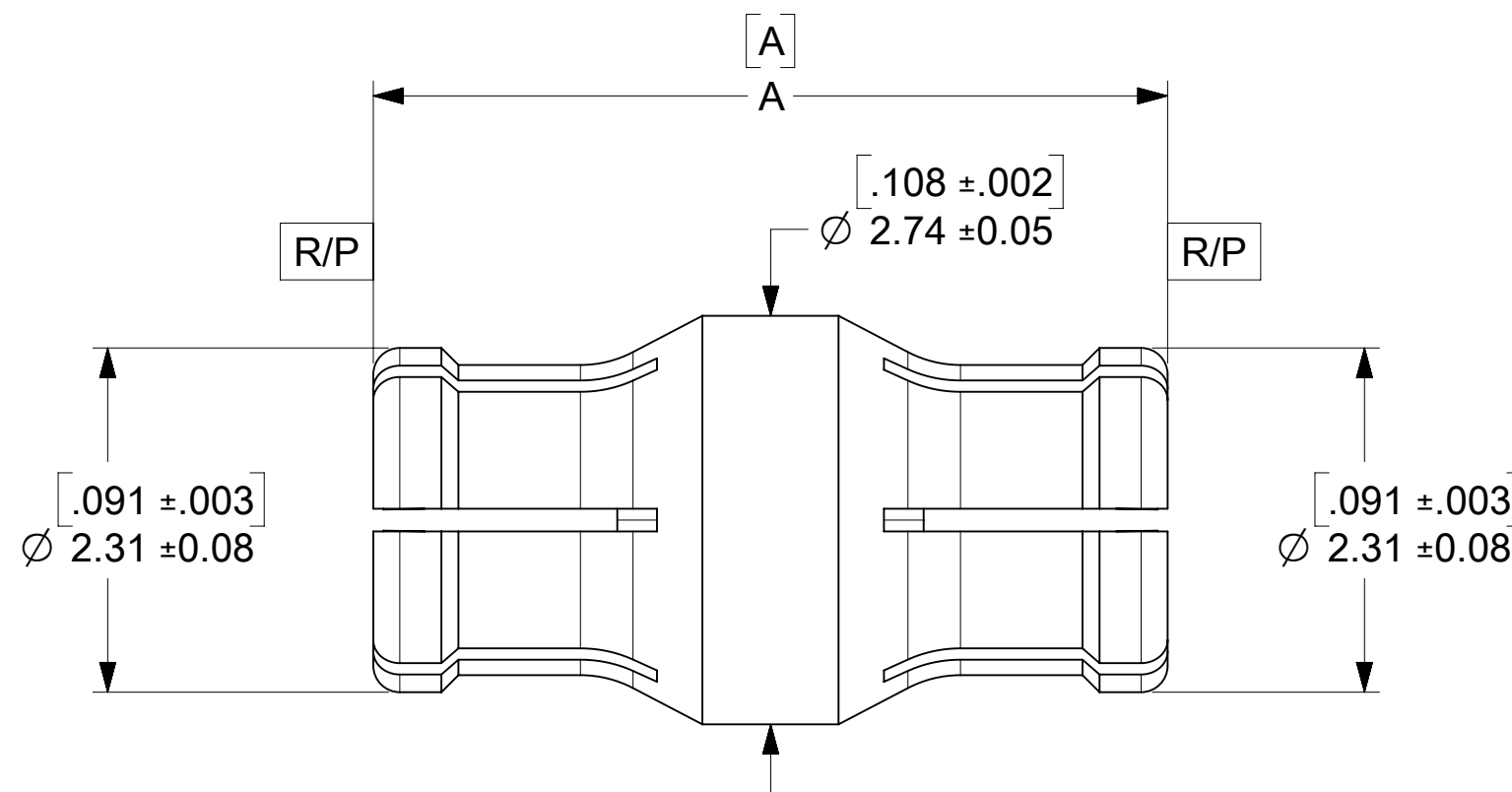
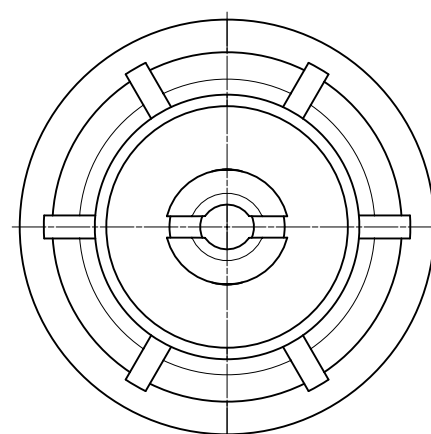
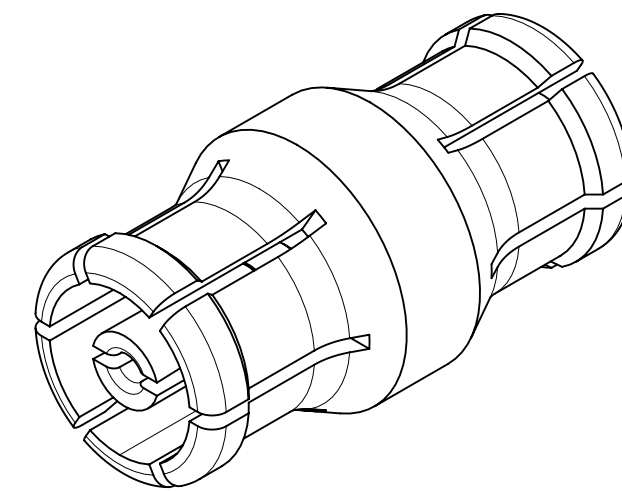


MATERIALS AND FINISHES:

BODY: BERYLLIUM COPPER
 PLATED GOLD PER MIL-G-45204 TYPE II, GRADE C, CLASS 1 (50µ-in MIN)
 OVER NICKEL (50µ-in MIN)

INSULATOR: PTFE

CONTACT: BERYLLIUM COPPER
 PLATED GOLD PER MIL-G-45204 TYPE II, GRADE C, CLASS 1 (50µ-in MIN)
 OVER NICKEL 50 MICRO-IN MIN



VSWR (TYP):
 1.15 TO 18 GHz
 1.25 TO 40 GHz
 1.35 TO 65 GHz

| | |
|----------------------|-----------------------|
| PS-89675-3730 | PRODUCT SPECIFICATION |
| MIL-STD-348B, FIG.79 | INTERFACE SMPM SOCKET |
| SPECIFICATION | DESCRIPTION |

| | | |
|------------|----------------------------|-------------|
| 73300-0235 | 73300-0223 | ONE PER BAG |
| 73300-0234 | 73300-0220 | |
| 73300-0233 | .2090±.0010 / 5.309±0.025 | TRAY |
| 73300-0232 | .4680±.0016 / 11.887±0.038 | |
| 73300-0231 | .1860±.0016 / 4.724±0.038 | |
| 73300-0230 | .9060±.0016 / 23.012±0.038 | |
| 73300-0229 | .5240±.0016 / 13.310±0.038 | |
| 73300-0228 | .1970±.0016 / 5.004±0.038 | |
| 73300-0227 | .3340±.0016 / 8.484±0.038 | |
| 73300-0226 | .7500±.0016 / 19.050±0.038 | |
| 73300-0225 | .5000±.0016 / 12.700±0.038 | |
| 73300-0224 | .3490±.0016 / 8.865±0.038 | |
| 73300-0223 | .3270±.0016 / 8.306±0.038 | |
| 73300-0222 | .2780±.0016 / 7.061±0.038 | |
| 73300-0221 | .2600±.0016 / 6.604±0.038 | |
| 73300-0220 | .2100±.0016 / 5.334±0.038 | |
| PART NO. | IN / MM DIM A | PACKAGING |

LABEL WITH EACH BAG
 FOR 73300-0234

MOLEX P/N: 73300-0234
 DATE: YYWW

LABEL WITH EACH BAG
 FOR 73300-0235

MOLEX P/N: 73300-0235
 DATE: YYWW

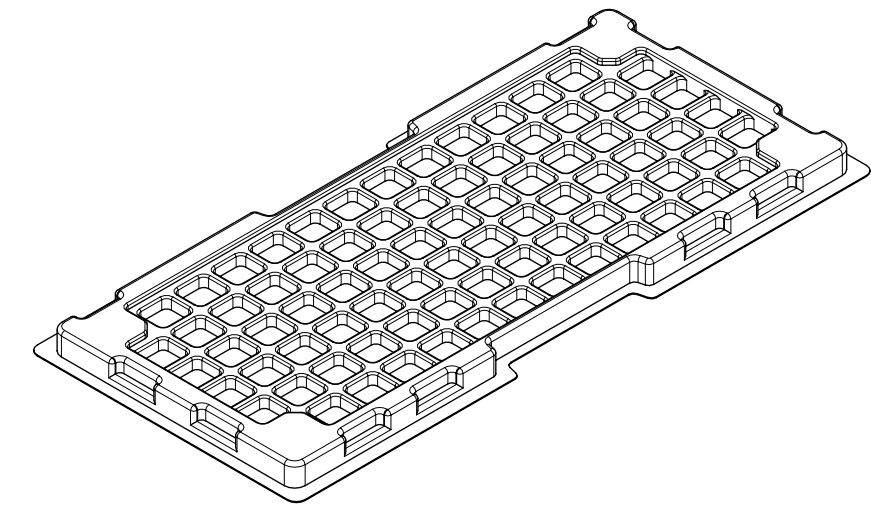
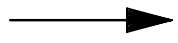
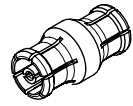
| | | | | | | | | | |
|---|--------|---|--|---------|---|--------|----------|-----------|--------------|
| THIS DRAWING CONTAINS INFORMATION THAT IS PROPRIETARY TO MOLEX ELECTRONIC TECHNOLOGIES, LLC AND SHOULD NOT BE USED WITHOUT WRITTEN PERMISSION | | | | | | | | | |
| DIMENSION UNITS | SCALE | CURRENT REV DESC: ADD LABEL FOR 73300-0234 & -0235 PER EWR #14242-H | | | molex | | | | |
| mm | NTS | | | | | | | | |
| GENERAL TOLERANCES (UNLESS SPECIFIED) | | EC NO: 660983 | | | SMPM JACK/JACK BULLET 50 OHM SMPM-J/J, EWR-12150 | | | | |
| ANGULAR TOL | ± ° | DRWN: RYEH 2021/03/25 | | | PRODUCT CUSTOMER DRAWING | | | | |
| 4 PLACES | ± | CHK'D: YCHENG 2021/04/21 | | | DOCUMENT NUMBER | | | | |
| 3 PLACES | ± | APPR: YCHENG 2021/04/21 | | | SD-73300-022 | | | | |
| 2 PLACES | ± 0.25 | INITIAL REVISION: | | | DOC TYPE | | DOC PART | | REVISION |
| 1 PLACE | ± | DRWN: RYEH 2017/01/09 | | | PSD | | 000 | | A11 |
| 0 PLACES | ± | APPR: YCHENG 2017/01/16 | | | MATERIAL NUMBER | | CUSTOMER | | SHEET NUMBER |
| DRAFT WHERE APPLICABLE MUST REMAIN WITHIN DIMENSIONS | | THIRD ANGLE PROJECTION | | DRAWING | | SERIES | | SEE TABLE | |
| | | C-SIZE | | 73300 | | | | 1 OF 4 | |

| | | | | |
|-----------------|----|--------------|------------|----------|
| DOCUMENT STATUS | P1 | RELEASE DATE | 2021/04/21 | 06:23:47 |
|-----------------|----|--------------|------------|----------|

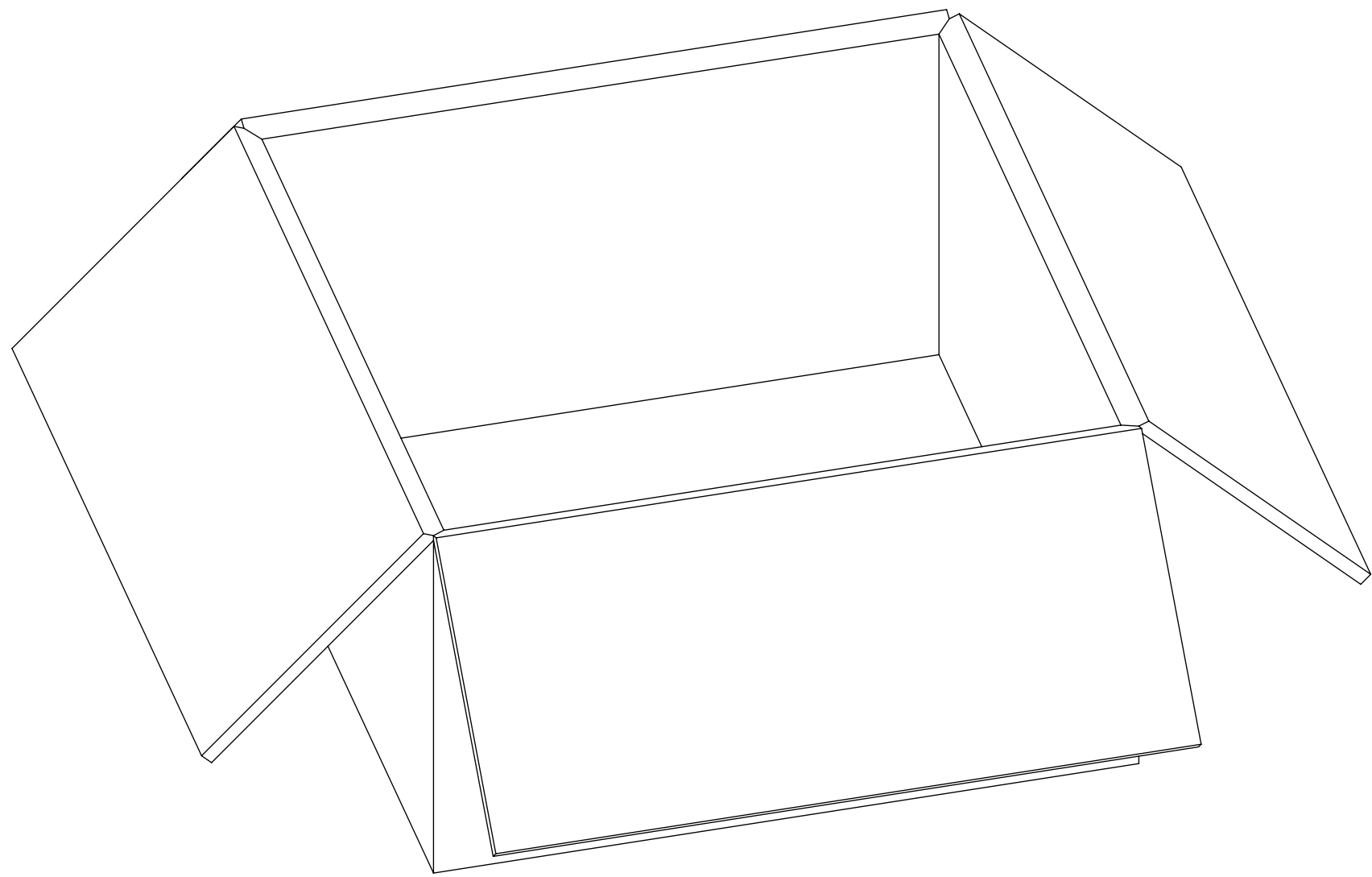
P/N: 73300-0220
 73300-0221
 73300-0222
 73300-0223
 73300-0224
 73300-0225

73300-0227
 73300-0228
 73300-0229

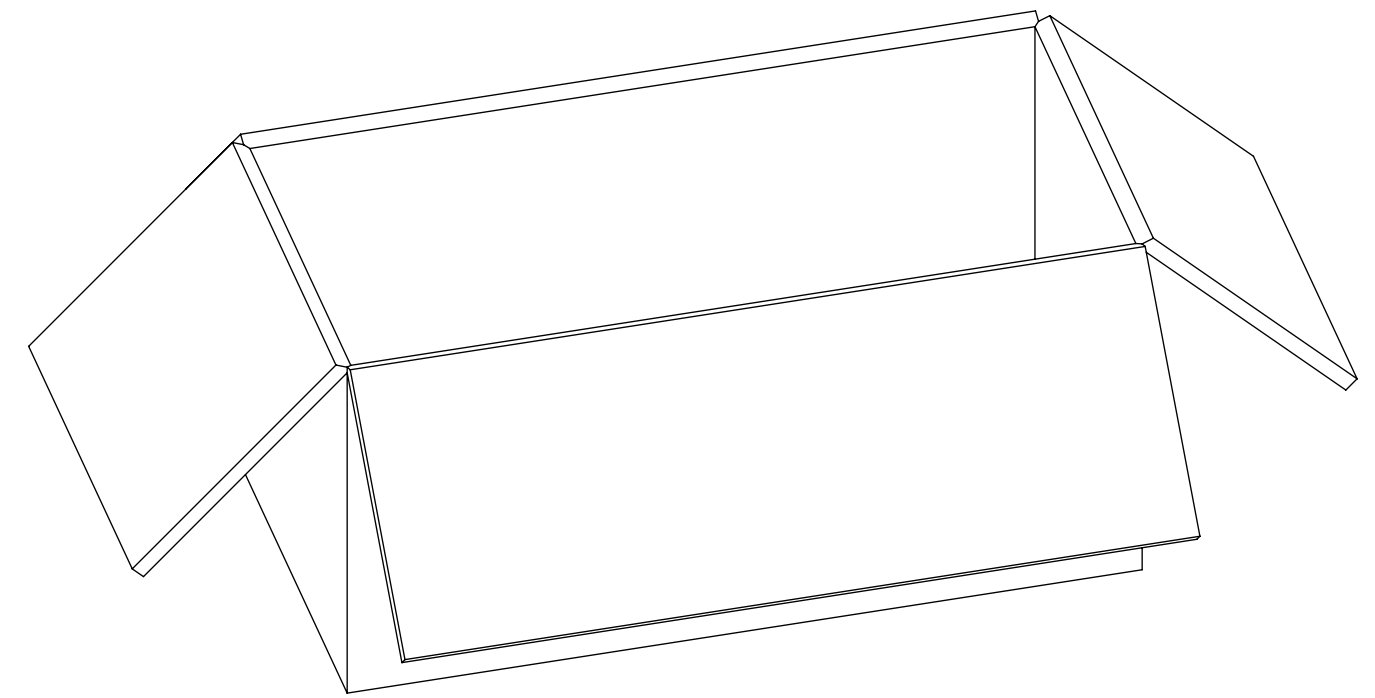
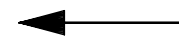
73300-0231
 73300-0232
 73300-0233



80 SETS PER TRAY
 P/N: 89707-0190



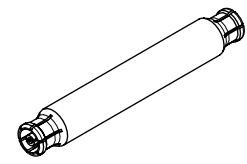
3200 SETS PER
 OUTER CARTON BOX
 P/N: 96708-0005



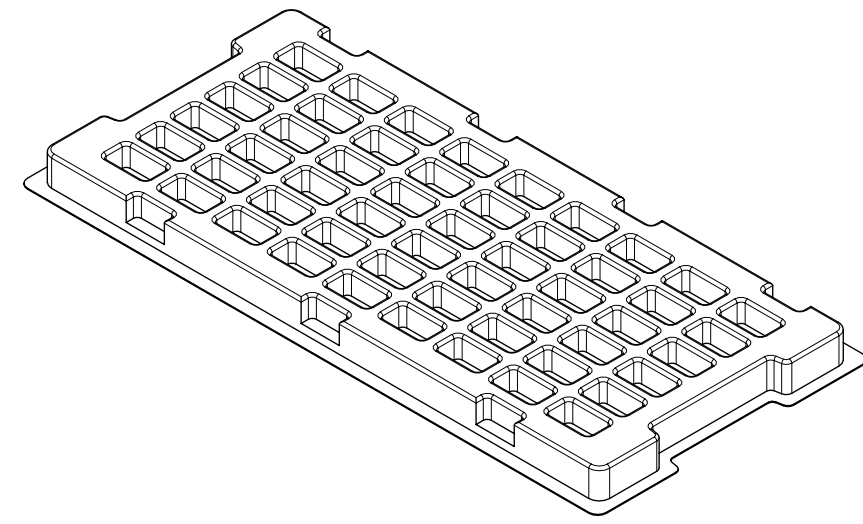
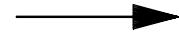
1600 SETS PER
 INNER CARTON BOX
 P/N: 96707-0001

| | | | | | | | | | |
|---|--|-------|--|---|--|------------------------------|--|---|--|
| THIS DRAWING CONTAINS INFORMATION THAT IS PROPRIETARY TO MOLEX ELECTRONIC TECHNOLOGIES, LLC AND SHOULD NOT BE USED WITHOUT WRITTEN PERMISSION | | | | | | | | | |
| DIMENSION UNITS | | SCALE | | CURRENT REV DESC: ADD LABEL FOR 73300-0234 & -0235 PER EWR #14242-H | | | | molex | |
| mm | | NTS | | | | | | | |
| GENERAL TOLERANCES (UNLESS SPECIFIED) | | | | | | | | SMPM JACK/JACK BULLET 50 OHM SMPM-J/J, EWR-12150 | |
| ANGULAR TOL ± ° | | | | EC NO: 660983 | | | | PRODUCT CUSTOMER DRAWING | |
| 4 PLACES ± | | | | DRWN: RYEH 2021/03/25 | | | | DOCUMENT NUMBER | |
| 3 PLACES ± | | | | CHK'D: YCHENG 2021/04/21 | | | | SD-73300-022 | |
| 2 PLACES ± 0.25 | | | | APPR: YCHENG 2021/04/21 | | | | PSD 000 A11 | |
| 1 PLACE ± | | | | INITIAL REVISION: | | | | DOC TYPE | |
| 0 PLACES ± | | | | DRWN: RYEH 2017/01/09 | | | | DOC PART | |
| | | | | APPR: YCHENG 2017/01/16 | | | | REVISION | |
| DRAFT WHERE APPLICABLE MUST REMAIN WITHIN DIMENSIONS | | | | THIRD ANGLE PROJECTION | | DRAWING C-SIZE | | SERIES 73300 | |
| | | | | | | MATERIAL NUMBER SEE TABLE | | CUSTOMER | |
| | | | | | | | | SHEET NUMBER 2 OF 4 | |

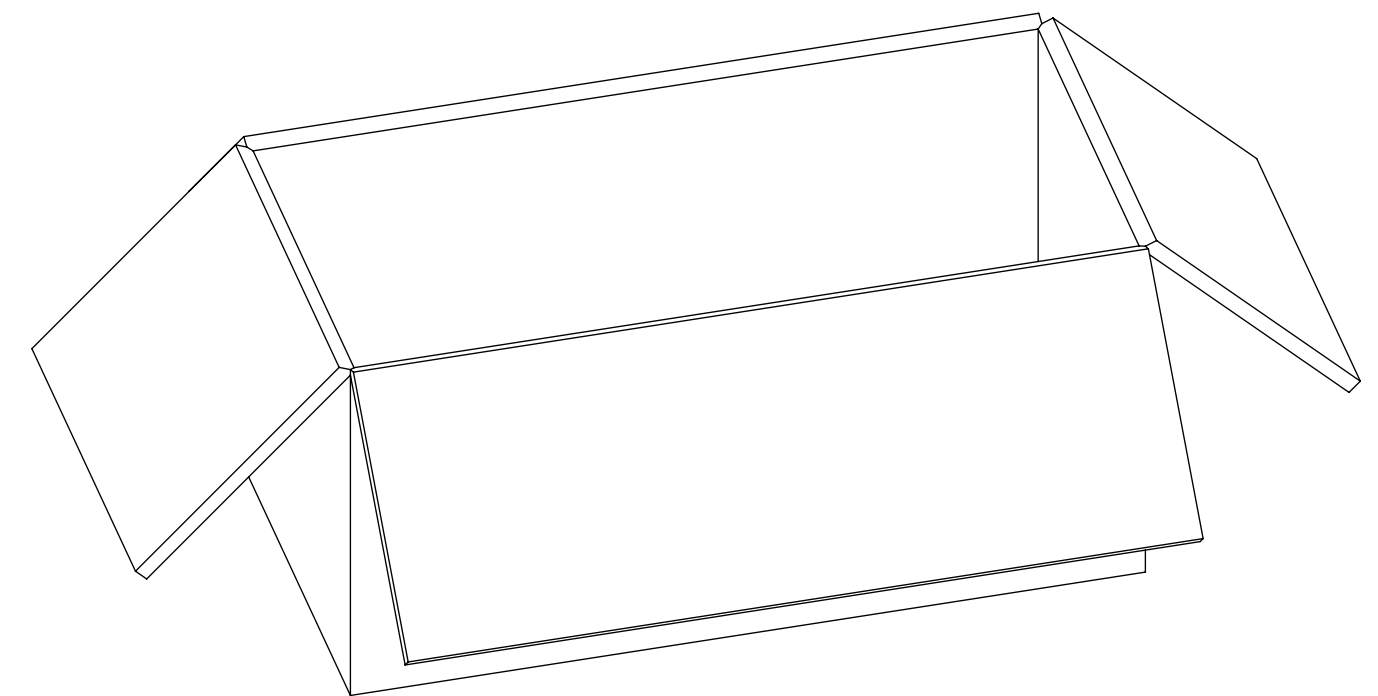
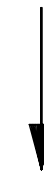
| | | | | |
|-----------------|----|--------------|------------|----------|
| DOCUMENT STATUS | P1 | RELEASE DATE | 2021/04/21 | 06:23:47 |
|-----------------|----|--------------|------------|----------|



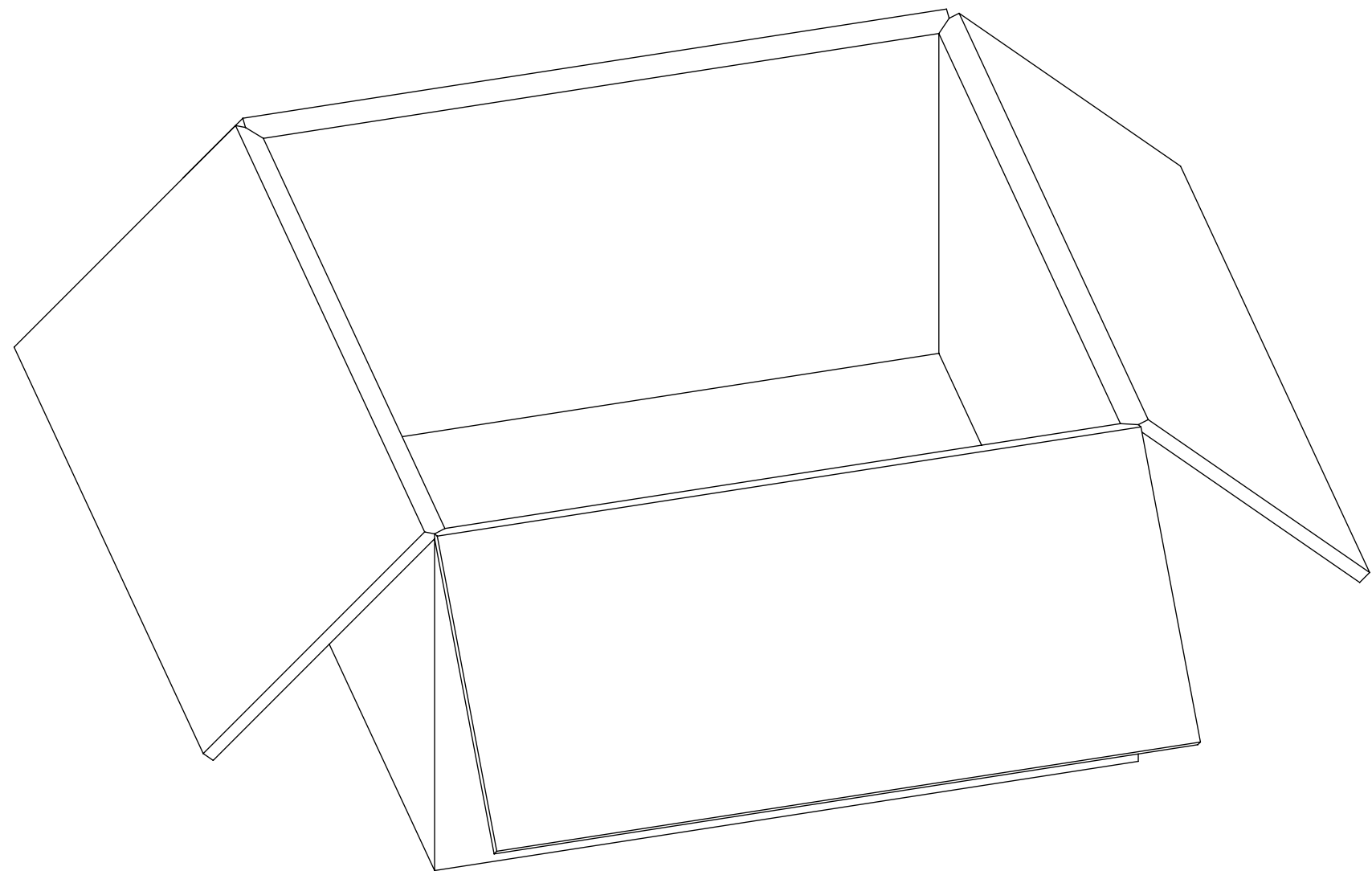
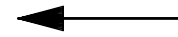
P/N: 73300-0226
73300-0230



54 SETS PER TRAY
P/N: 89707-0220



540 SETS PER
INNER CARTON BOX
P/N: 96707-0001

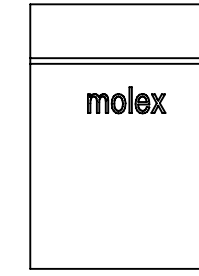
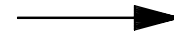


1080 SETS PER
OUTER CARTON BOX
P/N: 96708-0005

| | | | | | | | | | |
|---|--|-------|--|---|--|-------------------|--|---|--|
| THIS DRAWING CONTAINS INFORMATION THAT IS PROPRIETARY TO MOLEX ELECTRONIC TECHNOLOGIES, LLC AND SHOULD NOT BE USED WITHOUT WRITTEN PERMISSION | | | | | | | | | |
| DIMENSION UNITS | | SCALE | | CURRENT REV DESC: ADD LABEL FOR 73300-0234 & -0235 PER EWR #14242-H | | | | molex | |
| mm | | NTS | | | | | | | |
| GENERAL TOLERANCES (UNLESS SPECIFIED) | | | | | | | | SMPM JACK/JACK BULLET 50 OHM SMPM-J/J, EWR-12150 | |
| ANGULAR TOL ± ° | | | | EC NO: 660983 | | | | PRODUCT CUSTOMER DRAWING | |
| 4 PLACES ± | | | | DRWN: RYEH 2021/03/25 | | | | DOCUMENT NUMBER | |
| 3 PLACES ± | | | | CHK'D: YCHENG 2021/04/21 | | | | SD-73300-022 | |
| 2 PLACES ± 0.25 | | | | APPR: YCHENG 2021/04/21 | | | | PSD 000 A11 | |
| 1 PLACE ± | | | | INITIAL REVISION: | | | | DOC TYPE DOC PART REVISION | |
| 0 PLACES ± | | | | DRWN: RYEH 2017/01/09 | | | | MATERIAL NUMBER | |
| | | | | APPR: YCHENG 2017/01/16 | | | | CUSTOMER | |
| DRAFT WHERE APPLICABLE MUST REMAIN WITHIN DIMENSIONS | | | | THIRD ANGLE PROJECTION | | DRAWING C-SIZE | | SERIES 73300 | |
| | | | | | | SHEET NUMBER | | 3 OF 4 | |



P/N: 73300-0220
73300-0223

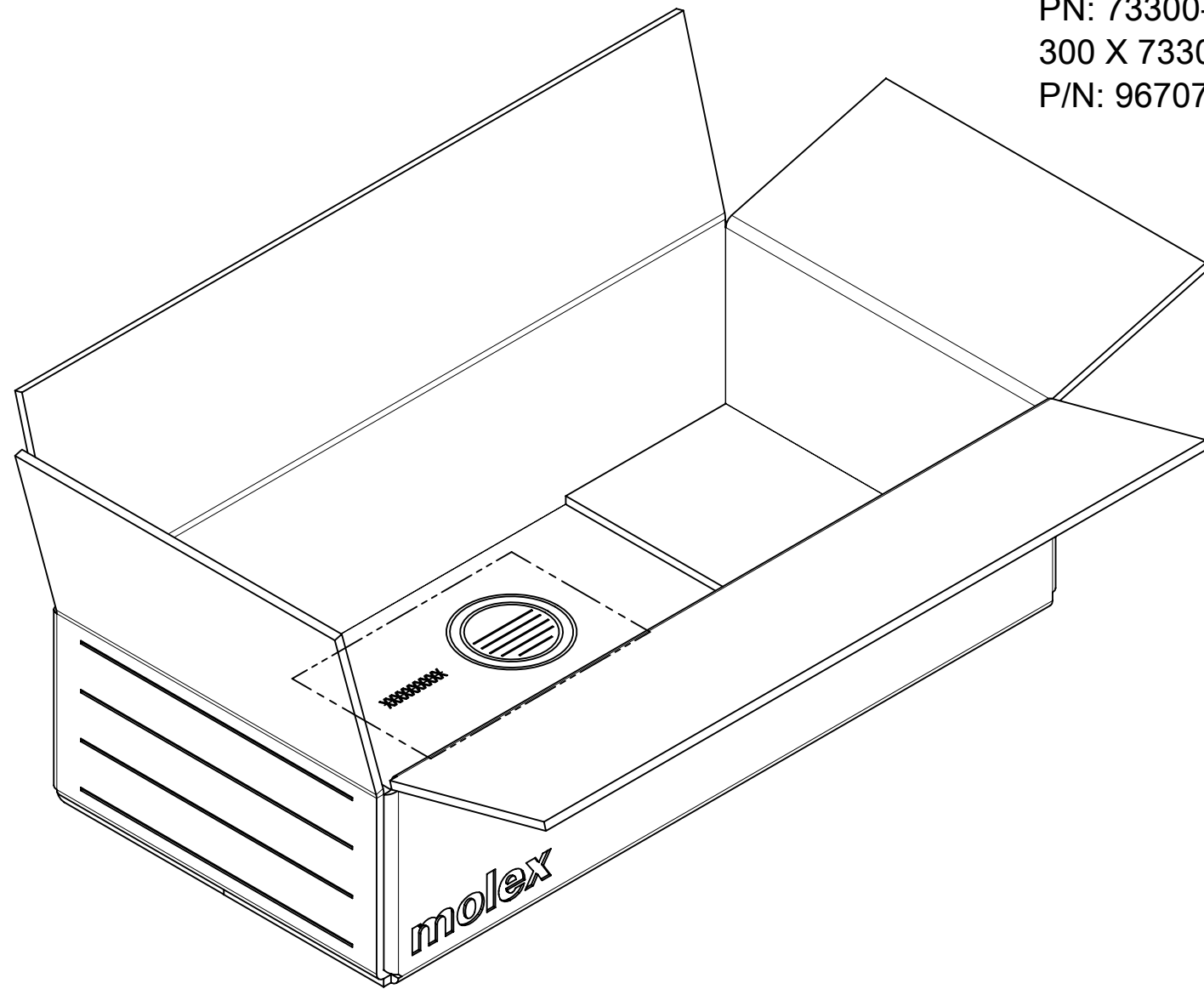
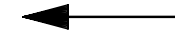


1 SET PER BAG
P/N: 89707-0317

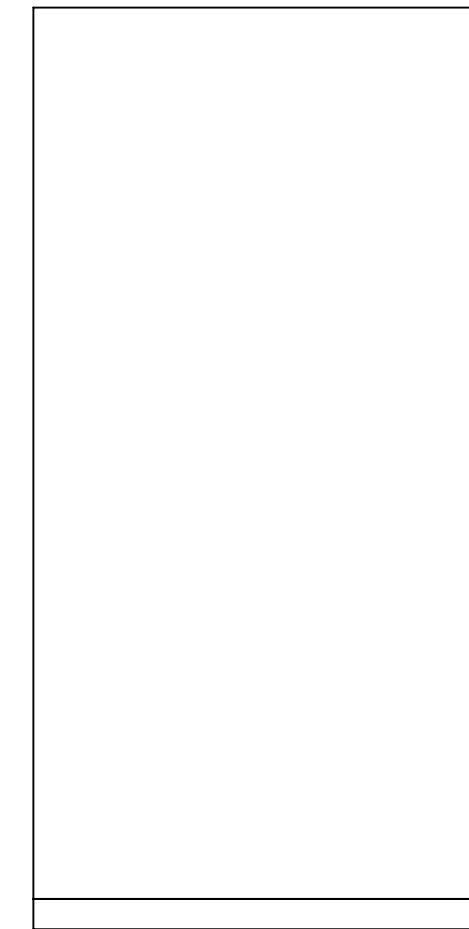


PN: 73300-0234
300 X 73300-0220 PER CARTON BOX
P/N: 96707-0003

PN: 73300-0235
300 X 73300-0223 PER CARTON BOX
P/N: 96707-0003



300 SETS PER CARTON BOX
P/N: 96707-0003



50 SETS PER BAG
P/N: 89707-0174

THIS DRAWING CONTAINS INFORMATION THAT IS PROPRIETARY TO MOLEX ELECTRONIC TECHNOLOGIES, LLC AND SHOULD NOT BE USED WITHOUT WRITTEN PERMISSION

| | | | | | | | | | | | | |
|--|--|------------------------|--|---|--|---|--|-----------------|--|--------------|--|--------------|
| DIMENSION UNITS | | SCALE | | CURRENT REV DESC: ADD LABEL FOR 73300-0234 & -0235 PER EWR #14242-H | | molex | | | | | | |
| mm | | NTS | | | | | | | | | | |
| GENERAL TOLERANCES (UNLESS SPECIFIED) | | | | | | SMPM JACK/JACK BULLET 50 OHM SMPM-J/J, EWR-12150 | | | | | | |
| ANGULAR TOL ± ° | | | | | | | | | | | | |
| 4 PLACES | | ± | | EC NO: 660983 | | PRODUCT CUSTOMER DRAWING | | | | | | |
| 3 PLACES | | ± | | DRWN: RYEH 2021/03/25 | | | | | | | | |
| 2 PLACES | | ± 0.25 | | CHK'D: YCHENG 2021/04/21 | | DOCUMENT NUMBER | | | | | | |
| 1 PLACE | | ± | | APPR: YCHENG 2021/04/21 | | | | | | SD-73300-022 | | |
| 0 PLACES | | ± | | INITIAL REVISION: | | DOC TYPE | | DOC PART | | | | |
| DRAFT WHERE APPLICABLE MUST REMAIN WITHIN DIMENSIONS | | THIRD ANGLE PROJECTION | | DRAWING | | SERIES | | MATERIAL NUMBER | | CUSTOMER | | SHEET NUMBER |
| | | | | C-SIZE | | 73300 | | SEE TABLE | | | | 4 OF 4 |

| | | | | |
|-----------------|----|--------------|------------|----------|
| DOCUMENT STATUS | P1 | RELEASE DATE | 2021/04/21 | 06:23:47 |
|-----------------|----|--------------|------------|----------|