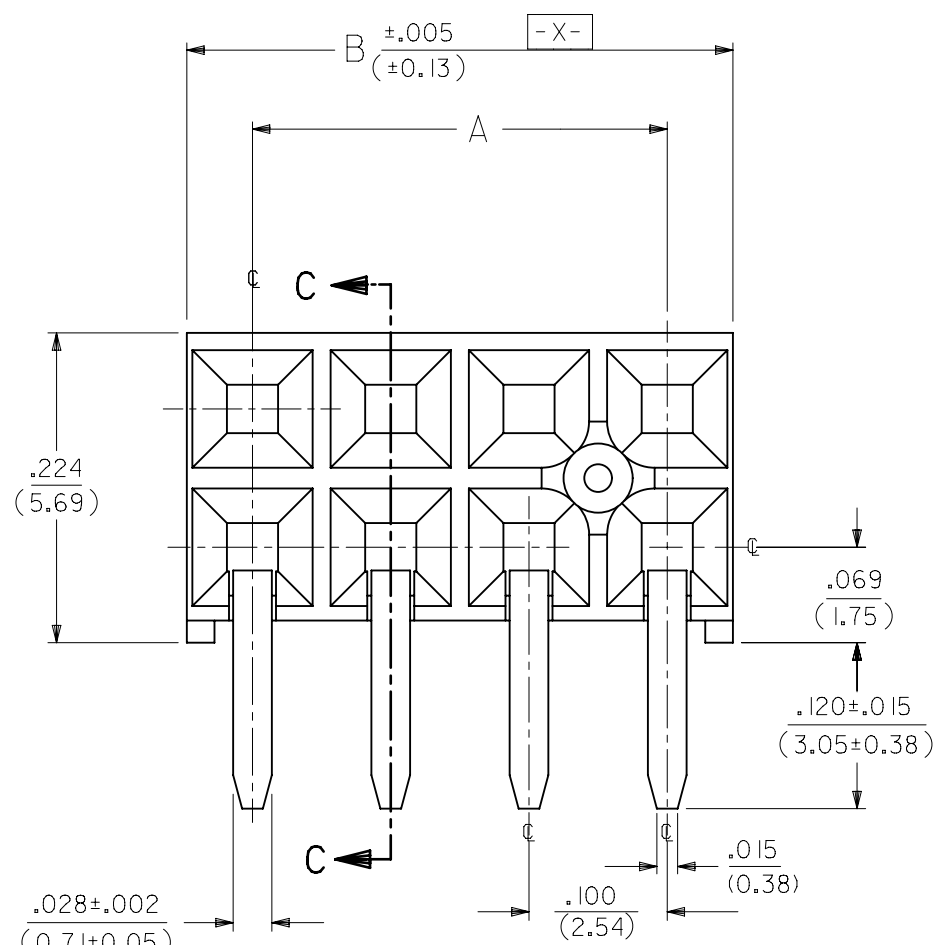


4 DIGIT DATE CODE  
SEE NOTE 5



⊕ ∅.015(S) TAIL TO TAIL  
⊕ ∅.020(S) X(S) Y(S) TAIL TO INSULATOR

OPTION "A" ASSEMBLY  
STANDARD HOUSING

NOTE FOR LEAD FREE CONVERSION:

THE PRIMARY SHIPPING CARTON WILL BE LABELED "COMPLIANT TO RoHS DIRECTIVE 2002/95/EC AND ELV ANNEX II OF DIRECTIVE 2000/53/EC". CARTONS WITHOUT THIS LABEL MAY CONTAIN PRODUCT WITH LEAD.

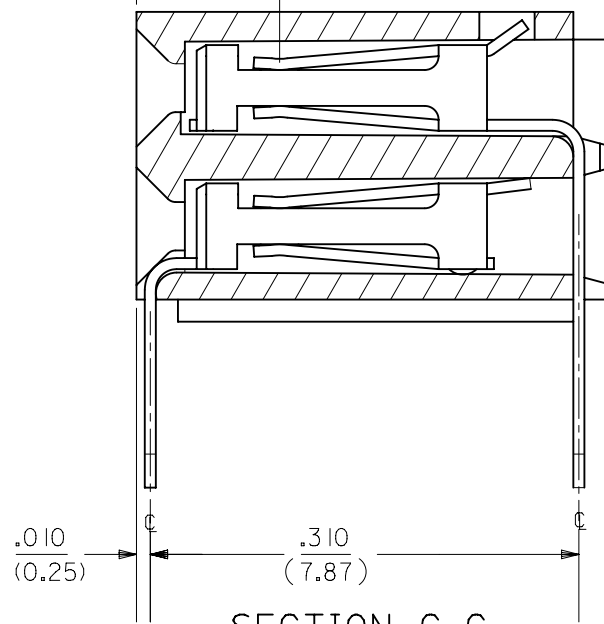
- NOTES:
- MATERIAL -  
INSULATOR - LCP, UL 94V-0, COLOR BLACK  
CONTACTS - PHOSPHOR BRONZE
  - SEE SHT. 5 & 6 FOR CHART DIMENSIONS AND EDP NO.'S
  - RECOMMENDED MATING PIN LENGTH:  
LOWER ROW - .200" MIN., .285" MAX.  
UPPER ROW - .200" MIN.
  - REFER TO PRODUCT SPECIFICATION PS-71973-9999 FOR PERFORMANCE DATA
  - MANUFACTURED DATE CODE - YEAR, WEEK.
  - PACKAGING: FOR THIS PRODUCT IN TUBES SEE SHT. 6 & 7  
FOR THIS PRODUCT IN TRAYS SEE SHT. 8 & 9

FINISHES

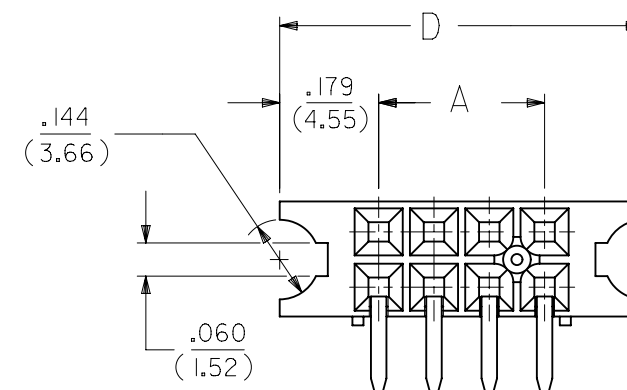
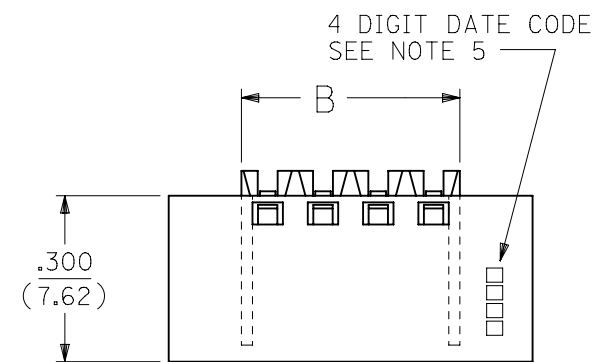
- 15 GOLD .000015 MINIMUM GOLD PLATE IN SELECT AREA OVER .000050 MINIMUM NICKEL UNDERPLATE OVER-ALL WITH .000075 MINIMUM TIN PLATE IN SELECT AREA.
- 30 GOLD .000030 MINIMUM GOLD PLATE IN SELECT AREA OVER .000050 MINIMUM NICKEL UNDERPLATE OVER-ALL WITH .000075 MINIMUM TIN PLATE IN SELECT AREA.
- 50 GOLD .000050 MINIMUM GOLD PLATE IN SELECT AREA OVER .000050 MINIMUM NICKEL UNDERPLATE OVER-ALL WITH .000100 MINIMUM TIN PLATE IN SELECT AREA.

.105  
(2.67)

POINT OF CONTACT



SECTION C-C



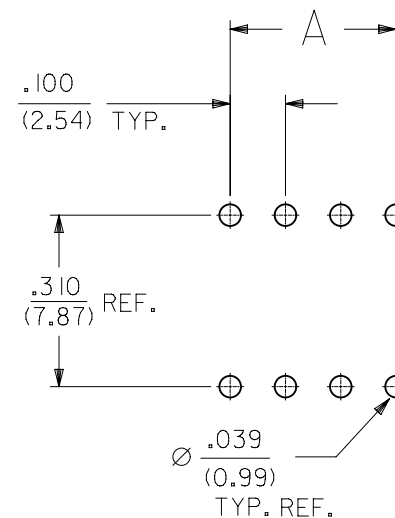
OPTION "B" ASSEMBLY

STD. HOUSING W/MOUNTING EARS  
SCALE 4:1

REFER TO OPT. A FOR ALL OTHER INFORMATION

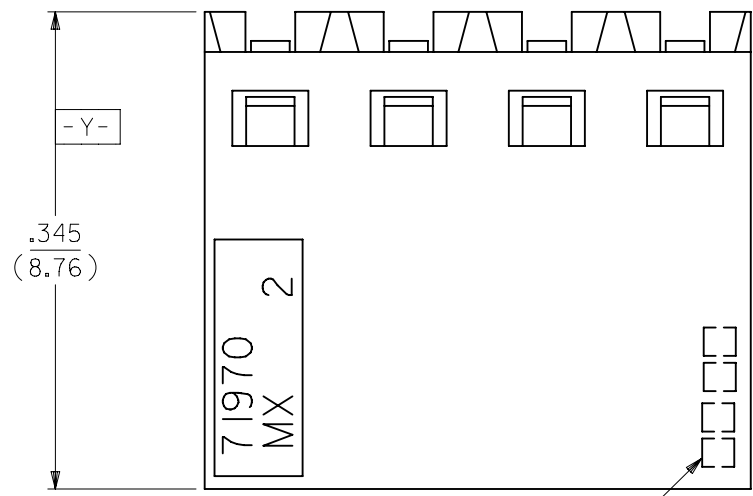
OPTION "J" ASSEMBLY

OPTION "J" IS THE SAME AS OPTION "B" EXCEPT DATE CODE IS NOT STAMPED ON HOUSING.

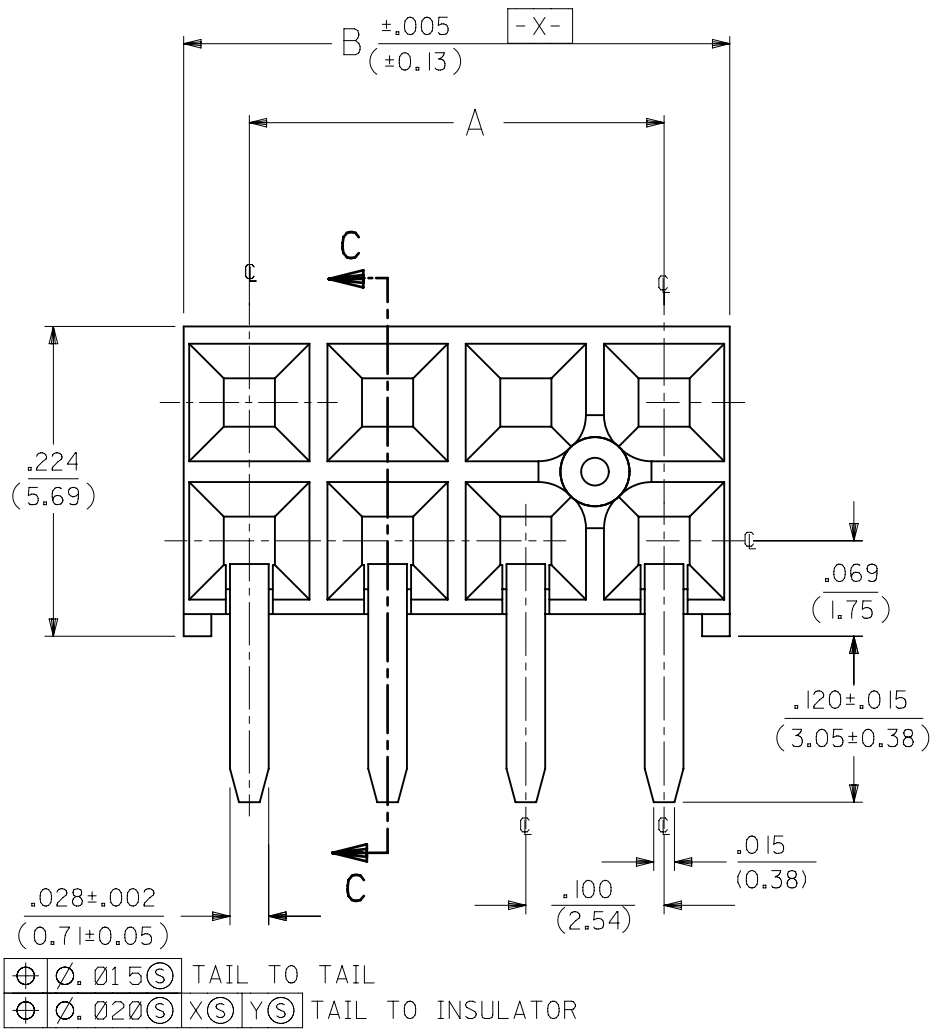


RECOMMENDED P.C.B.  
LAYOUT

THIS DRAWING CONTAINS INFORMATION THAT IS PROPRIETARY TO MOLEX ELECTRONIC TECHNOLOGIES, LLC AND SHOULD NOT BE USED WITHOUT WRITTEN PERMISSION											
DIMENSION UNITS		SCALE		CURRENT REV DESC: OBSOLETE PART NUMBER							
IN/MM		NTS									
GENERAL TOLERANCES (UNLESS SPECIFIED)											
		MM		INCH							
4 PLACES		±		±							
3 PLACES		±		± 0.01							
2 PLACES		± 0.25		±							
1 PLACE		±		±							
0 PLACES		±		±							
ANGULAR TOL		± 0.5°									
DRAFT WHERE APPLICABLE MUST REMAIN WITHIN DIMENSIONS				THIRD ANGLE PROJECTION		DRAWING		SERIES		MATERIAL NUMBER	
						A3-SIZE		71973		SEE TABLE	
										CUSTOMER	
										GENERAL MARKET	
										SHEET NUMBER	
										1 OF 25	



4 DIGIT DATE CODE  
SEE NOTE 5



⊕ ∅.015 ⊕ TAIL TO TAIL  
⊕ ∅.020 ⊕ X ⊕ Y ⊕ TAIL TO INSULATOR

OPTION "E" ASSEMBLY  
STANDARD HOUSING

NOTE FOR LEAD FREE CONVERSION:

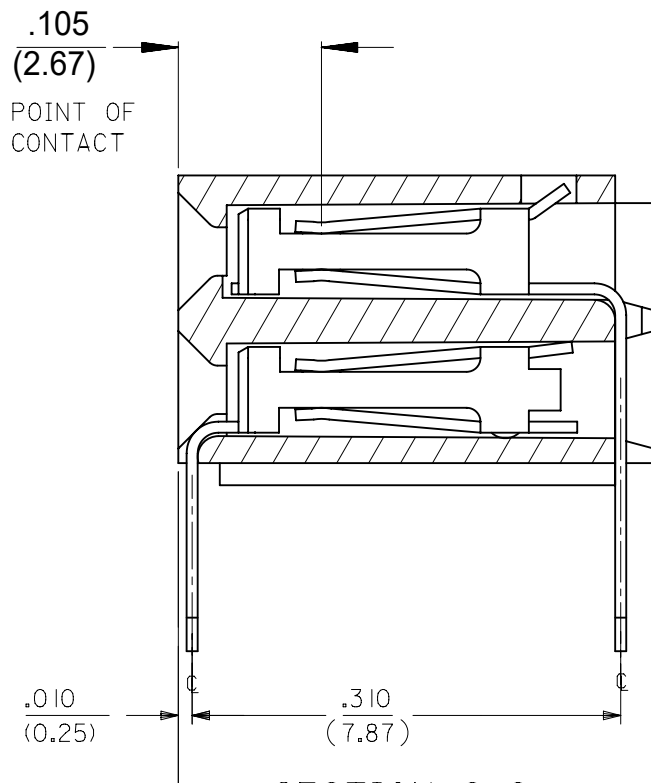
THE PRIMARY SHIPPING CARTON WILL BE LABELED "COMPLIANT TO ROHS DIRECTIVE 2002/95/EC AND ELV ANNEX II OF DIRECTIVE 2000/53/EC". CARTONS WITHOUT THIS LABEL MAY CONTAIN PRODUCT WITH LEAD.

NOTES:

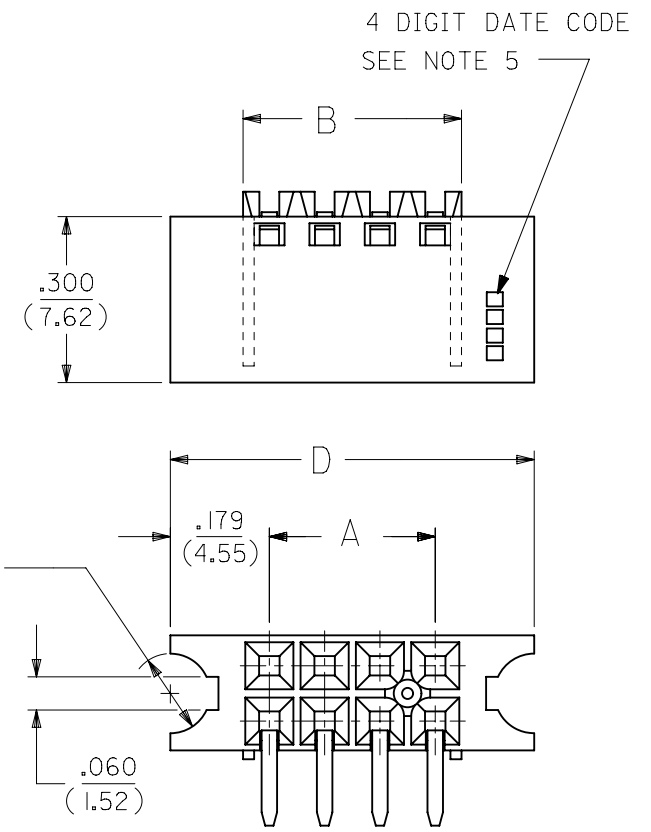
- 1.) MATERIAL -  
INSULATOR - LCP, UL 94V-0, COLOR BLACK  
CONTACTS - PHOSPHOR BRONZE
- 2.) SEE SHT. 13 & 14 FOR CHART DIMENSIONS AND EDP NO.'S
- 3.) RECOMMENDED MATING PIN LENGTH:  
LOWER ROW - .200" MIN., .250" MAX.  
UPPER ROW - .200" MIN.
- 4.) REFER TO PRODUCT SPECIFICATION PS-71973-9999 FOR PERFORMANCE DATA
- 5.) MANUFACTURED DATE CODE - YEAR, WEEK.
- 6.) PACKAGING: FOR THIS PRODUCT IN TUBES SEE SHT. 14 & 15  
FOR THIS PRODUCT IN TRAYS SEE SHT. 16 & 17

FINISHES

- 15 GOLD .000015 MINIMUM GOLD PLATE IN SELECT AREA OVER .000050 MINIMUM NICKEL UNDERPLATE OVER-ALL WITH .000075 MINIMUM TIN PLATE IN SELECT AREA.
- 30 GOLD .000030 MINIMUM GOLD PLATE IN SELECT AREA OVER .000050 MINIMUM NICKEL UNDERPLATE OVER-ALL WITH .000075 MINIMUM TIN PLATE IN SELECT AREA.
- 50 GOLD .000050 MINIMUM GOLD PLATE IN SELECT AREA OVER .000050 MINIMUM NICKEL UNDERPLATE OVER-ALL WITH .000100 MINIMUM TIN PLATE IN SELECT AREA.

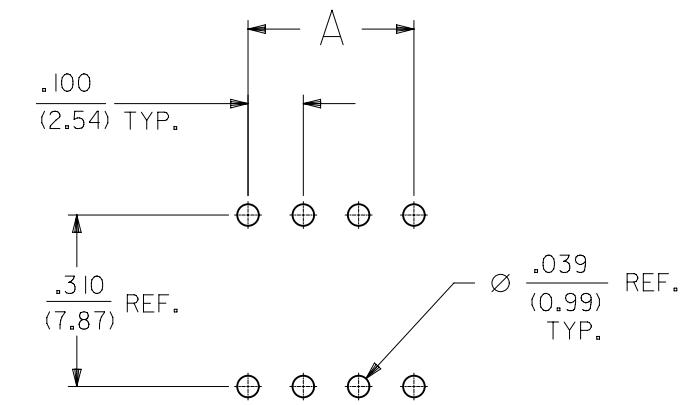


SECTION C-C



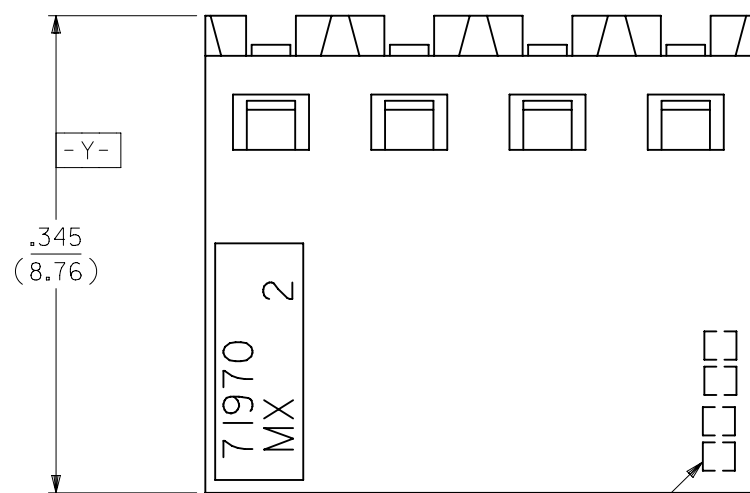
OPTION "F" ASSEMBLY  
STD. HOUSING W/MOUNTING EARS  
AND LOWER ROW PINSTOP  
SCALE 4:1

REFER TO OPT. E FOR ALL OTHER INFORMATION

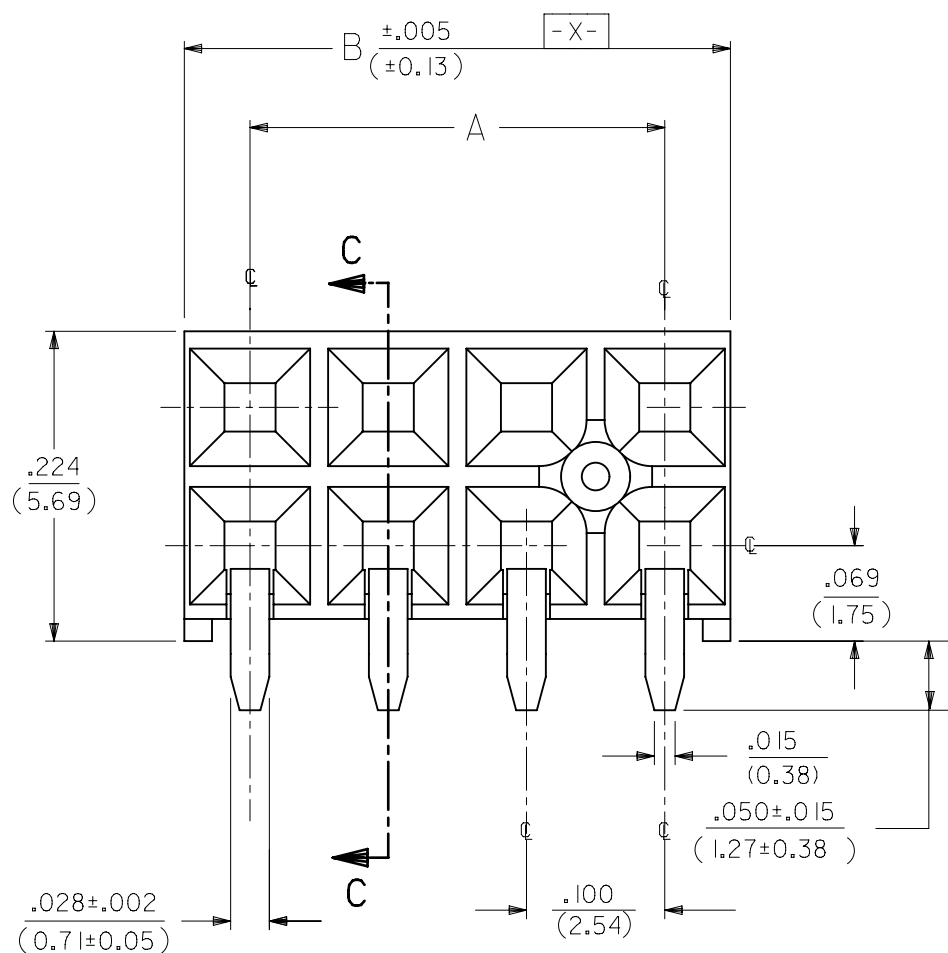


RECOMMENDED P.C.B. LAYOUT

THIS DRAWING CONTAINS INFORMATION THAT IS PROPRIETARY TO MOLEX ELECTRONIC TECHNOLOGIES, LLC AND SHOULD NOT BE USED WITHOUT WRITTEN PERMISSION		CURRENT REV DESC: OBSOLETE PART NUMBER			
DIMENSION UNITS: IN/MM		SCALE: NTS			
GENERAL TOLERANCES (UNLESS SPECIFIED)				EARLY ENTRY R/A RECPT .120"PC TAIL W/O LOWER ROW PINSTOP-.100" GRID	
				PRODUCT CUSTOMER DRAWING	
4 PLACES ±				DOCUMENT NUMBER	
3 PLACES ±				DOC TYPE	
2 PLACES ±				DOC PART	
1 PLACE ±				REVISION	
0 PLACES ±				SDA-71973-XXXX	
ANGULAR TOL ± 0.5°				PSD 001 L	
DRAFT WHERE APPLICABLE MUST REMAIN WITHIN DIMENSIONS		THIRD ANGLE PROJECTION		SHEET NUMBER	
		DRAWING		2 OF 25	
		SERIES			
		A3-SIZE			
		71973			
		MATERIAL NUMBER			
		SEE TABLE			
		CUSTOMER			
		GENERAL MARKET			



4 DIGIT DATE CODE  
SEE NOTE 5



⊕ ∅.015 ⊕ TAIL TO TAIL  
⊕ ∅.020 ⊕ X ⊕ Y ⊕ TAIL TO INSULATOR

**OPTION "G" ASSEMBLY**  
STANDARD HOUSING

NOTE FOR LEAD FREE CONVERSION:

THE PRIMARY SHIPPING CARTON WILL BE LABELED "COMPLIANT TO RoHS DIRECTIVE 2002/95/EC AND ELV ANNEX II OF DIRECTIVE 2000/53/EC". CARTONS WITHOUT THIS LABEL MAY CONTAIN PRODUCT WITH LEAD.

**NOTES:**

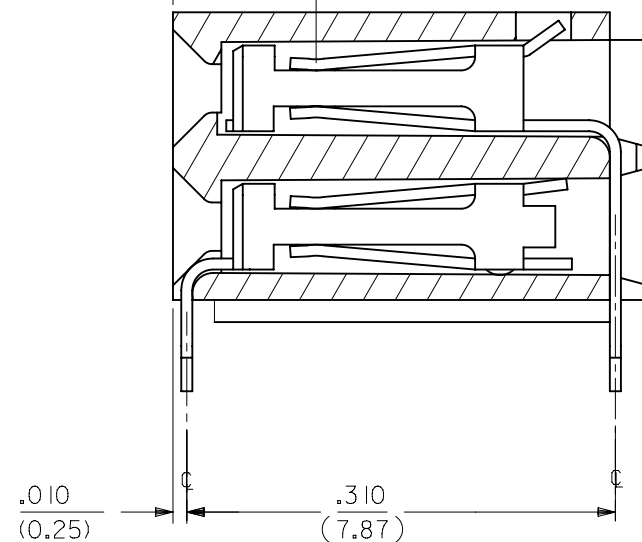
- 1.) MATERIAL -  
INSULATOR - LCP, UL 94V-0, COLOR BLACK  
CONTACTS - PHOSPHOR BRONZE
- 2.) SEE SHT. 17 & 18 FOR CHART DIMENSIONS AND EDP NO.'S
- 3.) RECOMMENDED MATING PIN LENGTH:  
LOWER ROW - .200" MIN., .250" MAX.  
UPPER ROW - .200" MIN.
- 4.) REFER TO PRODUCT SPECIFICATION PS-71973-9999 FOR PERFORMANCE DATA
- 5.) MANUFACTURED DATE CODE - YEAR, WEEK.
- 6.) PACKAGING: FOR THIS PRODUCT IN TUBES SEE SHT. 18 & 19  
FOR THIS PRODUCT IN TRAYS SEE SHT. 20 & 21

**FINISHES**

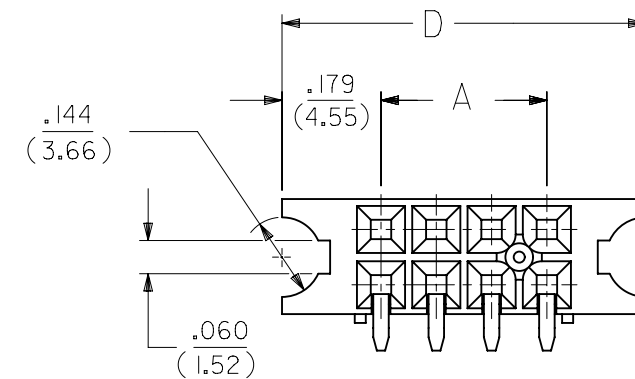
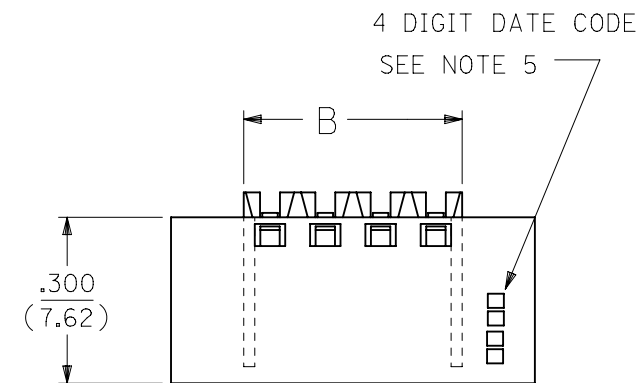
- 15 GOLD .000015 MINIMUM GOLD PLATE IN SELECT AREA OVER .000050 MINIMUM NICKEL UNDERPLATE OVER-ALL WITH .000075 MINIMUM TIN PLATE IN SELECT AREA.
- 30 GOLD .000030 MINIMUM GOLD PLATE IN SELECT AREA OVER .000050 MINIMUM NICKEL UNDERPLATE OVER-ALL WITH .000075 MINIMUM TIN PLATE IN SELECT AREA.
- 50 GOLD .000050 MINIMUM GOLD PLATE IN SELECT AREA OVER .000050 MINIMUM NICKEL UNDERPLATE OVER-ALL WITH .000100 MINIMUM TIN PLATE IN SELECT AREA.

.105  
(2.67)

POINT OF CONTACT

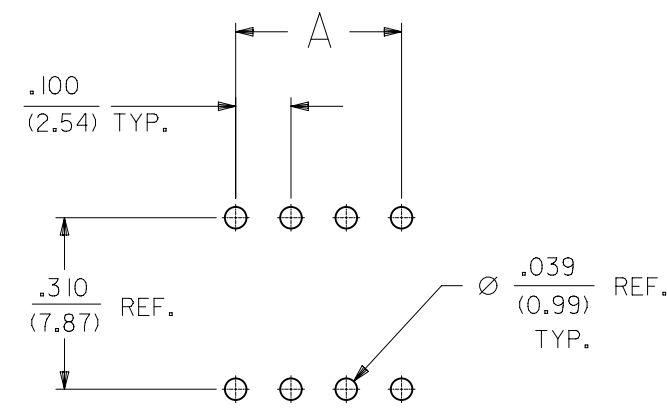


**SECTION C-C**



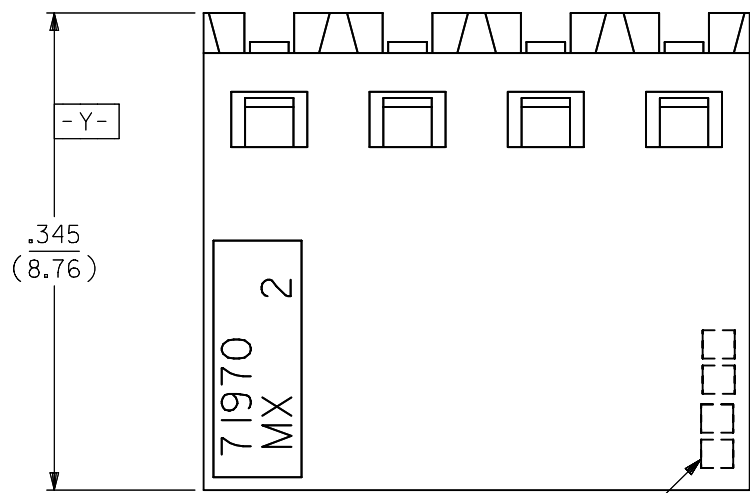
**OPTION "H" ASSEMBLY**  
STD. HOUSING W/MOUNTING EARS  
AND LOWER PINSTOP  
SCALE 4:1

REFER TO OPT. G FOR ALL OTHER INFORMATION

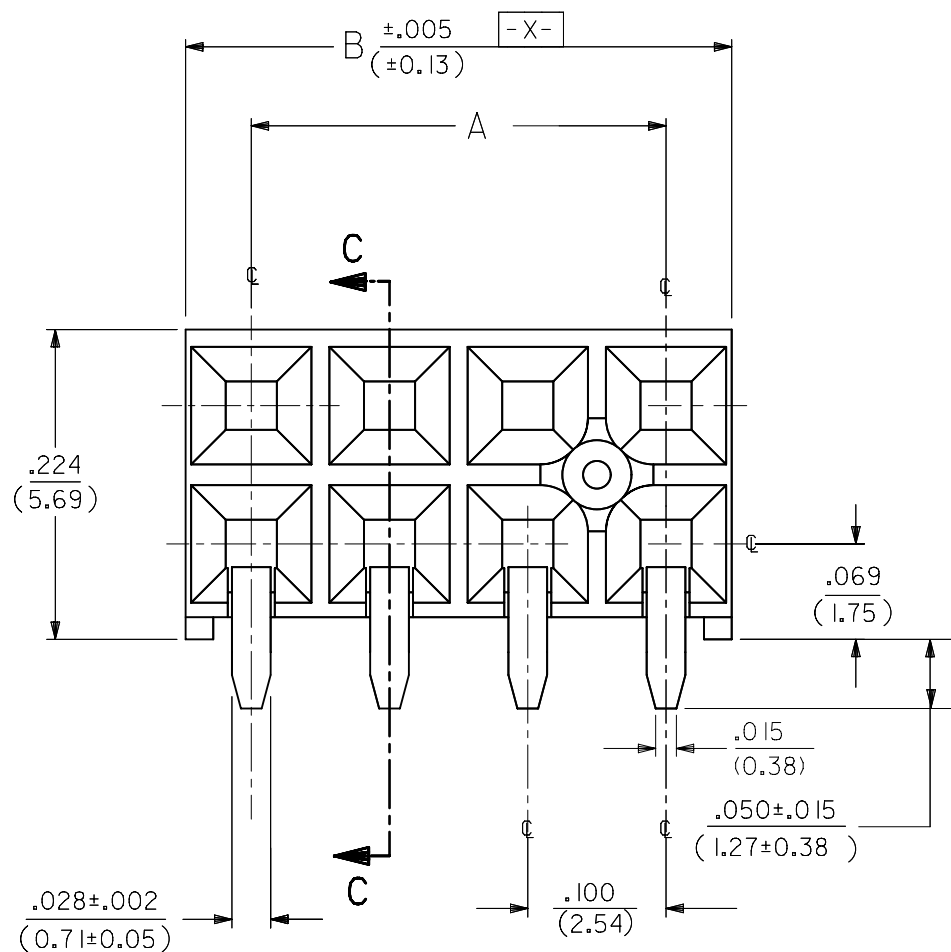


**RECOMMENDED P.C.B. LAYOUT**

THIS DRAWING CONTAINS INFORMATION THAT IS PROPRIETARY TO MOLEX ELECTRONIC TECHNOLOGIES, LLC AND SHOULD NOT BE USED WITHOUT WRITTEN PERMISSION		CURRENT REV DESC: OBSOLETE PART NUMBER		<b>molex</b>	
DIMENSION UNITS	SCALE				
IN/MM	NTS			EARLY ENTRY R/A RECPT .120"PC TAIL W/O LOWER ROW PINSTOP-.100" GRID	
GENERAL TOLERANCES (UNLESS SPECIFIED)				PRODUCT CUSTOMER DRAWING	
				DOCUMENT NUMBER	
				SDA-71973-XXXX	
				DOC TYPE	
				PSD	
				DOC PART	
				001	
				REVISION	
				L	
DRAFT WHERE APPLICABLE MUST REMAIN WITHIN DIMENSIONS		THIRD ANGLE PROJECTION	DRAWING	SERIES	MATERIAL NUMBER
			A3-SIZE	71973	SEE TABLE
					CUSTOMER
					GENERAL MARKET
					SHEET NUMBER
					3 OF 25



4 DIGIT DATE CODE  
SEE NOTE 5



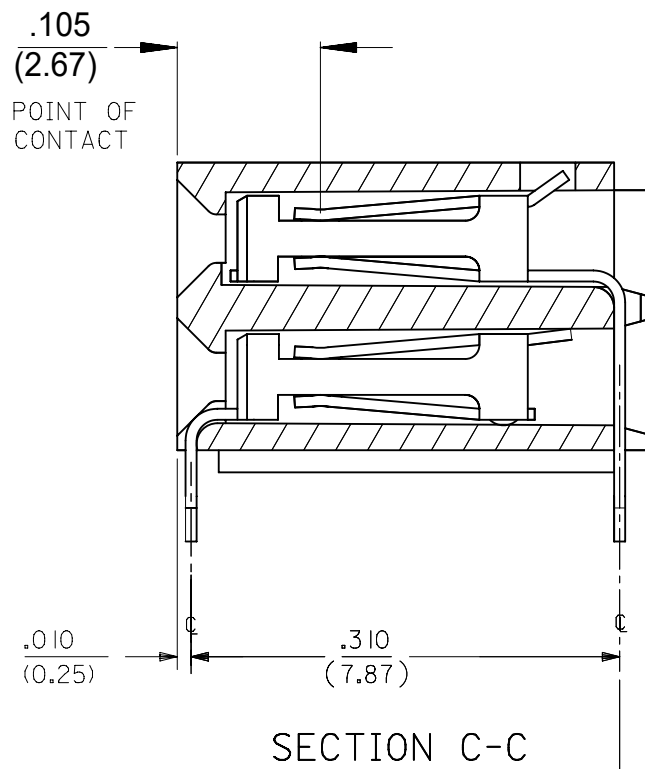
⊕	∅. 015	Ⓢ	TAIL TO TAIL
⊕	∅. 020	Ⓢ	X
⊕	∅. 020	Ⓢ	Y
⊕	∅. 020	Ⓢ	TAIL TO INSULATOR

OPTION "C" ASSEMBLY  
STANDARD HOUSING

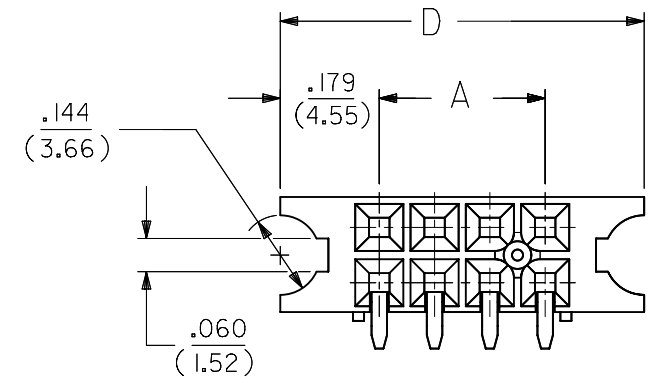
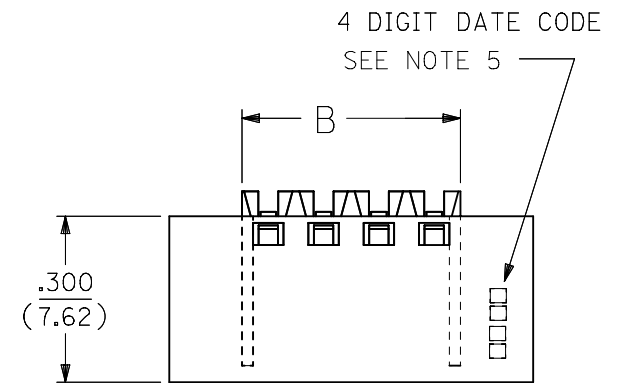
- NOTES:**
- MATERIAL -  
INSULATOR - LCP, UL 94V-0, COLOR BLACK  
CONTACTS - PHOSPHOR BRONZE
  - SEE SHT. 9 & 10 FOR CHART DIMENSIONS AND EDP NO.'S
  - RECOMMENDED MATING PIN LENGTH:  
LOWER ROW - .200" MIN., .285" MAX.  
UPPER ROW - .200" MIN.
  - REFER TO PRODUCT SPECIFICATION PS-71973-9999 FOR PERFORMANCE DATA
  - MANUFACTURED DATE CODE - YEAR, WEEK.
  - PACKAGING: FOR THIS PRODUCT IN TUBES SEE SHT. 10 & 11  
FOR THIS PRODUCT IN TRAYS SEE SHT. 12 & 13

**FINISHES**

- 15 GOLD .000015 MINIMUM GOLD PLATE IN SELECT AREA OVER .000050 MINIMUM NICKEL UNDERPLATE OVER-ALL WITH .000075 MINIMUM TIN PLATE IN SELECT AREA.
- 30 GOLD .000030 MINIMUM GOLD PLATE IN SELECT AREA OVER .000050 MINIMUM NICKEL UNDERPLATE OVER-ALL WITH .000075 MINIMUM TIN PLATE IN SELECT AREA.
- 50 GOLD .000050 MINIMUM GOLD PLATE IN SELECT AREA OVER .000050 MINIMUM NICKEL UNDERPLATE OVER-ALL WITH .000100 MINIMUM TIN PLATE IN SELECT AREA.

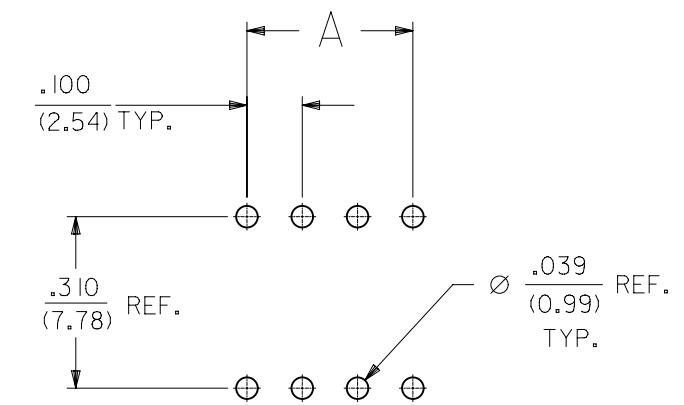


SECTION C-C



OPTION "D" ASSEMBLY  
STD. HOUSING W/MOUNTING EARS  
SCALE 4:1

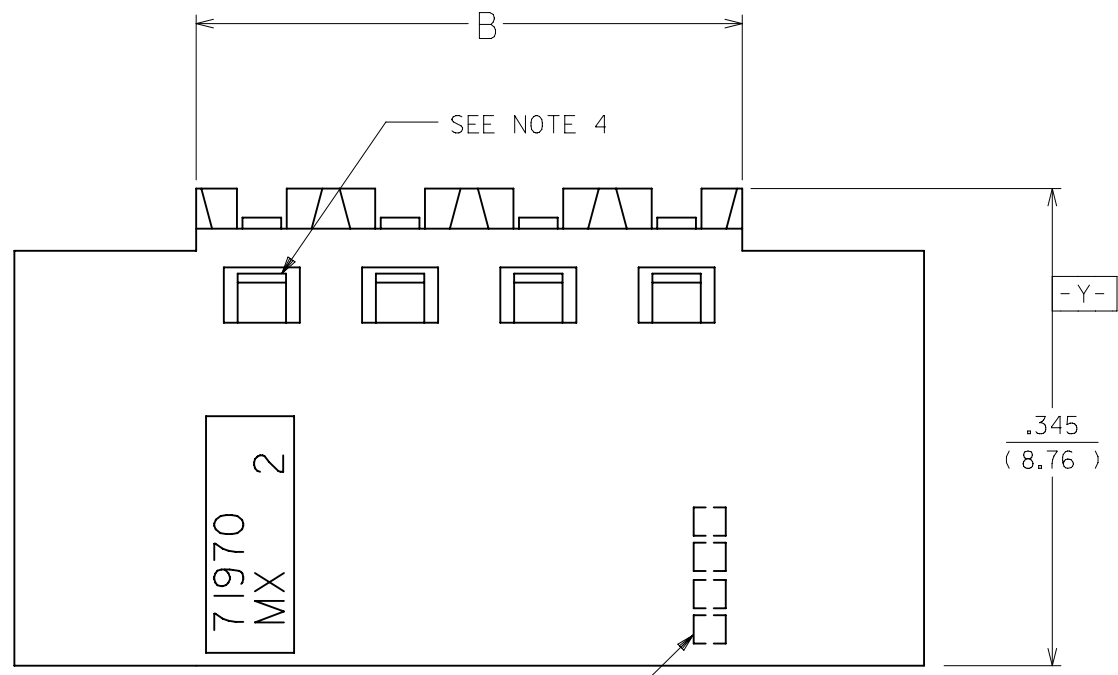
REFER TO OPT. C FOR ALL OTHER INFORMATION



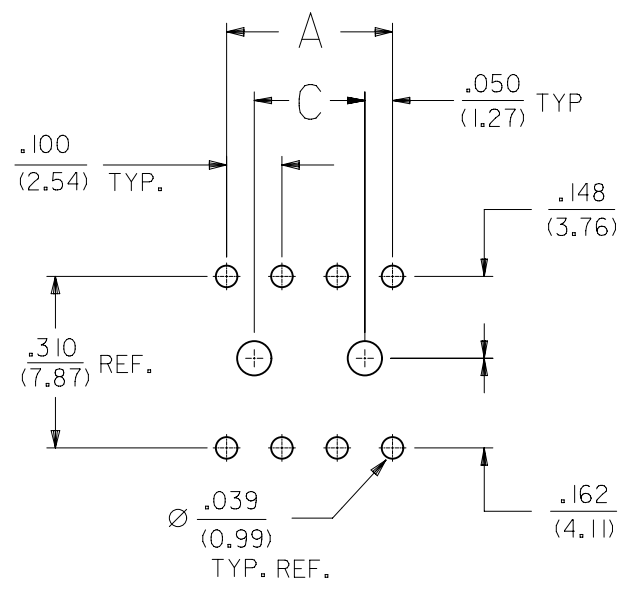
RECOMMENDED P.C.B. LAYOUT

NOTE FOR LEAD FREE CONVERSION:  
THE PRIMARY SHIPPING CARTON WILL BE LABELED "COMPLIANT TO ROHS DIRECTIVE 2002/95/EC AND ELV ANNEX II OF DIRECTIVE 2000/53/EC". CARTONS WITHOUT THIS LABEL MAY CONTAIN PRODUCT WITH LEAD.

THIS DRAWING CONTAINS INFORMATION THAT IS PROPRIETARY TO MOLEX ELECTRONIC TECHNOLOGIES, LLC AND SHOULD NOT BE USED WITHOUT WRITTEN PERMISSION		CURRENT REV DESC: OBSOLETE PART NUMBER																					
DIMENSION UNITS: IN/MM SCALE: NTS		EC NO: 718009 DRWN: ABHISP1 CHK'D: DANUSA APPR: MRAMAKRISHNA				EARLY ENTRY R/A RECPT .120"PC TAIL W/O LOWER ROW PINSTOP-.100" GRID																	
GENERAL TOLERANCES (UNLESS SPECIFIED)		EC NO: 718009 DRWN: ABHISP1 CHK'D: DANUSA APPR: MRAMAKRISHNA		PRODUCT CUSTOMER DRAWING																			
<table border="1"> <thead> <tr> <th></th> <th>MM</th> <th>INCH</th> </tr> </thead> <tbody> <tr> <td>4 PLACES</td> <td>±</td> <td>±</td> </tr> <tr> <td>3 PLACES</td> <td>±</td> <td>± 0.01</td> </tr> <tr> <td>2 PLACES</td> <td>± 0.25</td> <td>±</td> </tr> <tr> <td>1 PLACE</td> <td>±</td> <td>±</td> </tr> <tr> <td>0 PLACES</td> <td>±</td> <td>±</td> </tr> </tbody> </table>			MM	INCH	4 PLACES	±	±	3 PLACES	±	± 0.01	2 PLACES	± 0.25	±	1 PLACE	±	±	0 PLACES	±	±	INITIAL REVISION: DRWN: DJB APPR: MLONG		DOCUMENT NUMBER: SDA-71973-XXXX DOC TYPE: PSD DOC PART: 001 REVISION: L	
	MM	INCH																					
4 PLACES	±	±																					
3 PLACES	±	± 0.01																					
2 PLACES	± 0.25	±																					
1 PLACE	±	±																					
0 PLACES	±	±																					
DRAFT WHERE APPLICABLE MUST REMAIN WITHIN DIMENSIONS		THIRD ANGLE PROJECTION		SHEET NUMBER: 4 OF 25																			



4 DIGIT DATE CODE  
SEE NOTE 5

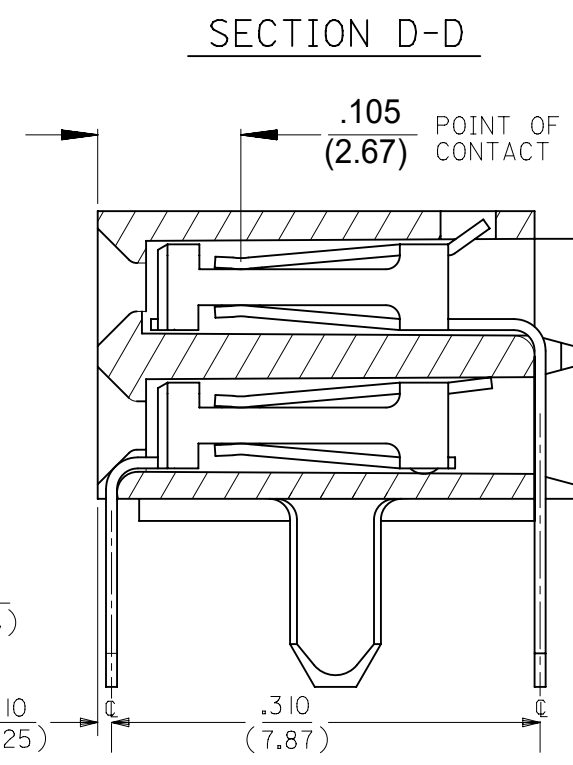
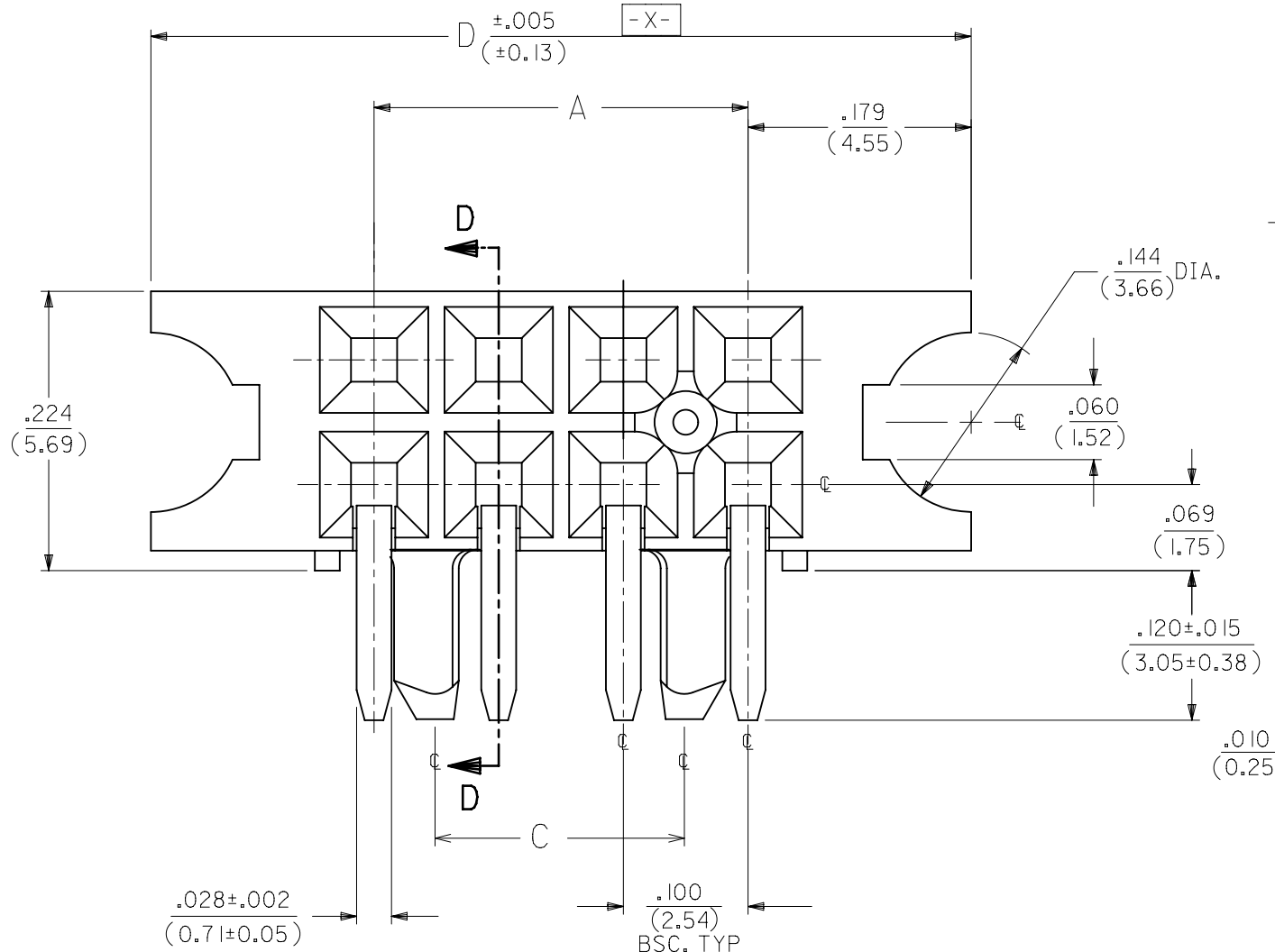


RECOMMENDED P.C.B.  
LAYOUT

SCALE 4:1

FINISHES PER ES-88-(\*\*\*)

- 15 GOLD .000015 MINIMUM GOLD PLATE IN SELECT AREA OVER .000050 MINIMUM NICKEL UNDERPLATE OVER-ALL WITH .000075 MINIMUM TIN PLATE IN SELECT AREA.
- 30 GOLD .000030 MINIMUM GOLD PLATE IN SELECT AREA OVER .000050 MINIMUM NICKEL UNDERPLATE OVER-ALL WITH .000075 MINIMUM TIN PLATE IN SELECT AREA.
- 50 GOLD .000050 MINIMUM GOLD PLATE IN SELECT AREA OVER .000050 MINIMUM NICKEL UNDERPLATE OVER-ALL WITH .000100 MINIMUM TIN PLATE IN SELECT AREA.



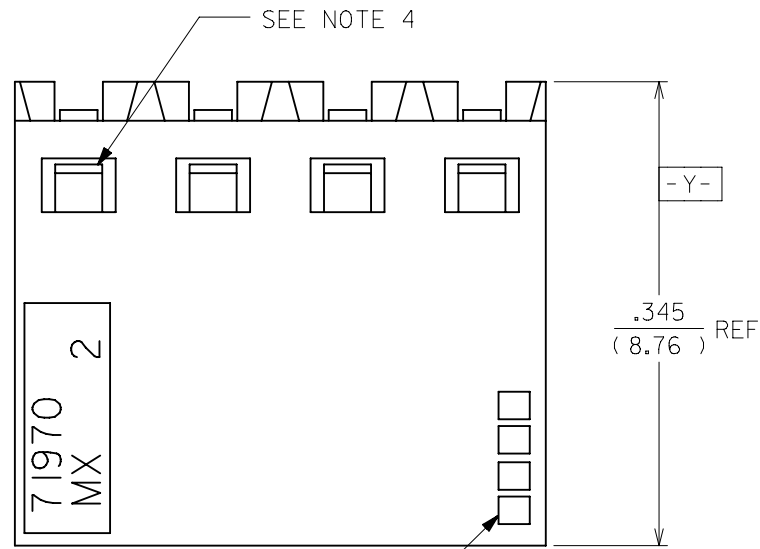
NOTE FOR LEAD FREE CONVERSION:  
THE PRIMARY SHIPPING CARTON WILL BE LABELED "COMPLIANT TO RoHS DIRECTIVE 2002/95/EC AND ELV ANNEX II OF DIRECTIVE 2000/53/EC". CARTONS WITHOUT THIS LABEL MAY CONTAIN PRODUCT WITH LEAD.

⊕ ∅.015 ⊙ TAIL TO TAIL  
⊕ ∅.020 ⊙ X ⊙ Y ⊙ TAIL TO INSULATOR  
(SEE NOTE 7)

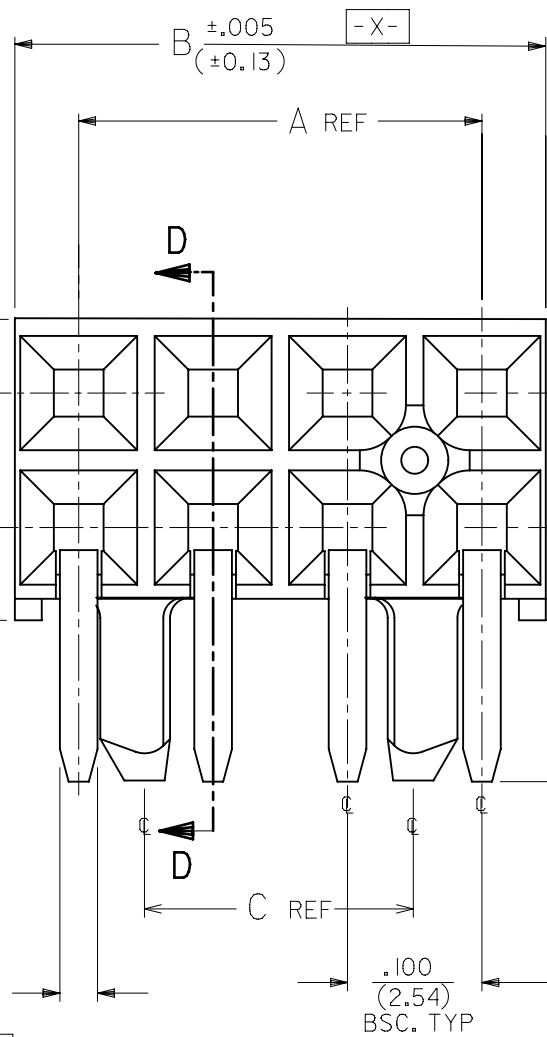
OPTION "I" ASSEMBLY

STANDARD HOUSING W/ PEGS AND MOUNTING EARS

THIS DRAWING CONTAINS INFORMATION THAT IS PROPRIETARY TO MOLEX ELECTRONIC TECHNOLOGIES, LLC AND SHOULD NOT BE USED WITHOUT WRITTEN PERMISSION		CURRENT REV DESC: OBSOLETE PART NUMBER			
DIMENSION UNITS: IN/MM		SCALE: NTS			
GENERAL TOLERANCES (UNLESS SPECIFIED)				EARLY ENTRY R/A RECPT .120"PC TAIL W/O LOWER ROW PINSTOP-.100" GRID	
				PRODUCT CUSTOMER DRAWING	
4 PLACES ±				EC NO: 718009	
3 PLACES ±				DRWN: ABHISP1 2021/02/12	
2 PLACES ± 0.25				CHK'D: DANUSA 2022/09/16	
1 PLACE ±				APPR: MRAMAKRISHNA 2022/09/16	
0 PLACES ±				INITIAL REVISION:	
ANGULAR TOL ± 0.5°				DRWN: DJB 1991/10/21	
DRAFT WHERE APPLICABLE MUST REMAIN WITHIN DIMENSIONS				APPR: MLONG 2010/01/14	
THIRD ANGLE PROJECTION		DRAWING		SERIES	
A3-SIZE		71973		MATERIAL NUMBER	
SEE TABLE		GENERAL MARKET		SHEET NUMBER	
5 OF 25					



4 DIGIT DATE CODE  
SEE NOTE 5



$\oplus \varnothing .015 \textcircled{S}$  TAIL TO TAIL  
 $\oplus \varnothing .020 \textcircled{S}$  X $\textcircled{S}$  Y $\textcircled{S}$  TAIL TO INSULATOR  
 (SEE NOTE 8)

OPTION "K" ASSEMBLY  
STANDARD HOUSING W/ PEGS

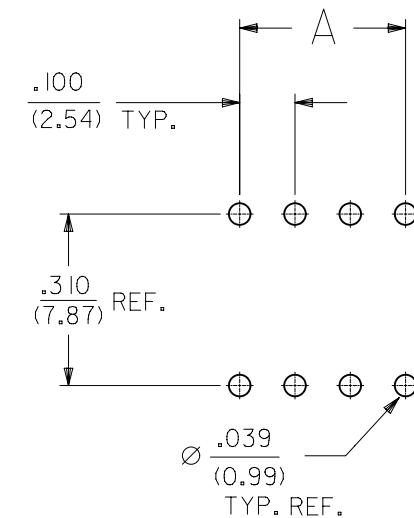
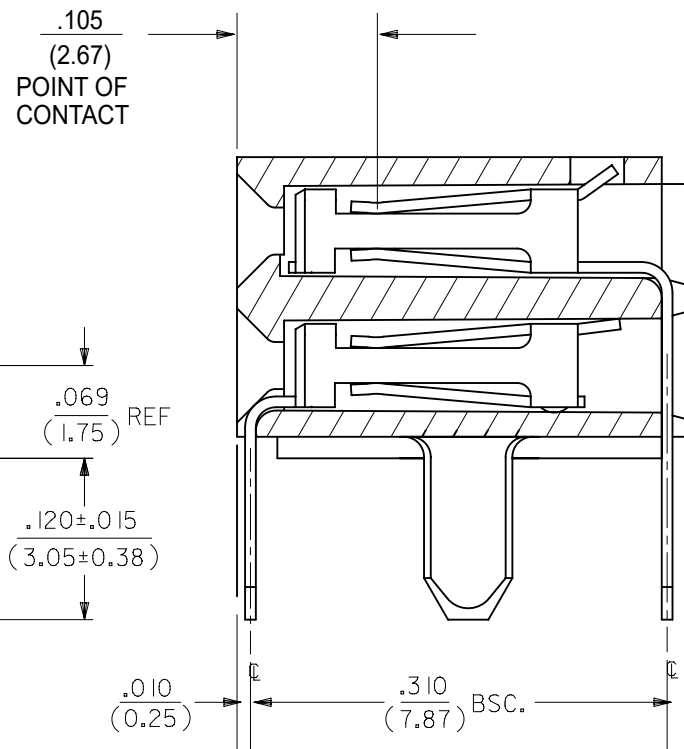
FINISHES

- 15 GOLD .000015 MINIMUM GOLD PLATE IN SELECT AREA OVER  
.000050 MINIMUM NICKEL UNDERPLATE OVER-ALL WITH  
.000075 MINIMUM TIN PLATE IN SELECT AREA.
- 30 GOLD .000030 MINIMUM GOLD PLATE IN SELECT AREA OVER  
.000050 MINIMUM NICKEL UNDERPLATE OVER-ALL WITH  
.000075 MINIMUM TIN PLATE IN SELECT AREA.
- 50 GOLD .000050 MINIMUM GOLD PLATE IN SELECT AREA OVER  
.000050 MINIMUM NICKEL UNDERPLATE OVER-ALL WITH  
.000100 MINIMUM TIN PLATE IN SELECT AREA.

NOTES:

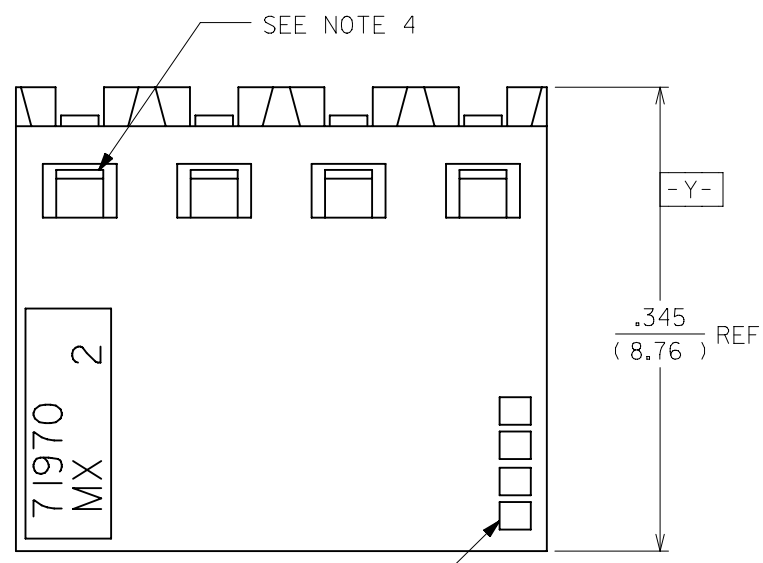
- 1.) MATERIAL-  
INSULATOR - LCP, UL 94V-0, COLOR BLACK  
CONTACTS - PHOSPHOR BRONZE
- 2.) SEE SHT. 25 FOR CHART DIMENSIONS AND ITEM NO.'S
- 3.) RECOMMENDED MATING PIN LENGTH:  
LOWER ROW - .200" MINIMUM, .285" MAX.  
UPPER ROW - .200" MINIMUM
- 4.) REFER TO PRODUCT SPECIFICATION PS-71973-9999 FOR PERFORMANCE DATA
- 5.) MANUFACTURED DATE CODE - YEAR, WEEK.
- 6.) PACKAGING: FOR THIS PRODUCT IN TUBES SEE SHT. 25

SECTION D-D



RECOMMENDED P.C.B.  
LAYOUT

THIS DRAWING CONTAINS INFORMATION THAT IS PROPRIETARY TO MOLEX ELECTRONIC TECHNOLOGIES, LLC AND SHOULD NOT BE USED WITHOUT WRITTEN PERMISSION											
DIMENSION UNITS		SCALE		CURRENT REV DESC: OBSOLETE PART NUMBER							
IN/MM		NTS									
GENERAL TOLERANCES (UNLESS SPECIFIED)											
		MM		INCH							
4 PLACES		±		±							
3 PLACES		±		± 0.01							
2 PLACES		±		0.25		±					
1 PLACE		±		±		±					
0 PLACES		±		±		±					
ANGULAR TOL		± 0.5°									
DRAFT WHERE APPLICABLE MUST REMAIN WITHIN DIMENSIONS				THIRD ANGLE PROJECTION		DRAWING		SERIES		MATERIAL NUMBER	
						A3-SIZE		71973		SEE TABLE	
DOCUMENT STATUS				P1		RELEASE DATE		2022/09/16		08:19:07	
EC NO: 718009		DRWN: ABHISP1		2021/02/12		CHK'D: DANUSA		2022/09/16		APPR: MRAMAKRISHNA	
INITIAL REVISION:		DRWN: DJB		1991/10/21		APPR: MLONG		2010/01/14		DOCUMENT NUMBER	
										SDA-71973-XXXX	
										DOC TYPE	
										PSD	
										DOC PART	
										001	
										REVISION	
										L	
CUSTOMER				GENERAL MARKET		SHEET NUMBER		6 OF 25			



4 DIGIT DATE CODE  
SEE NOTE 5

**FINISHES**

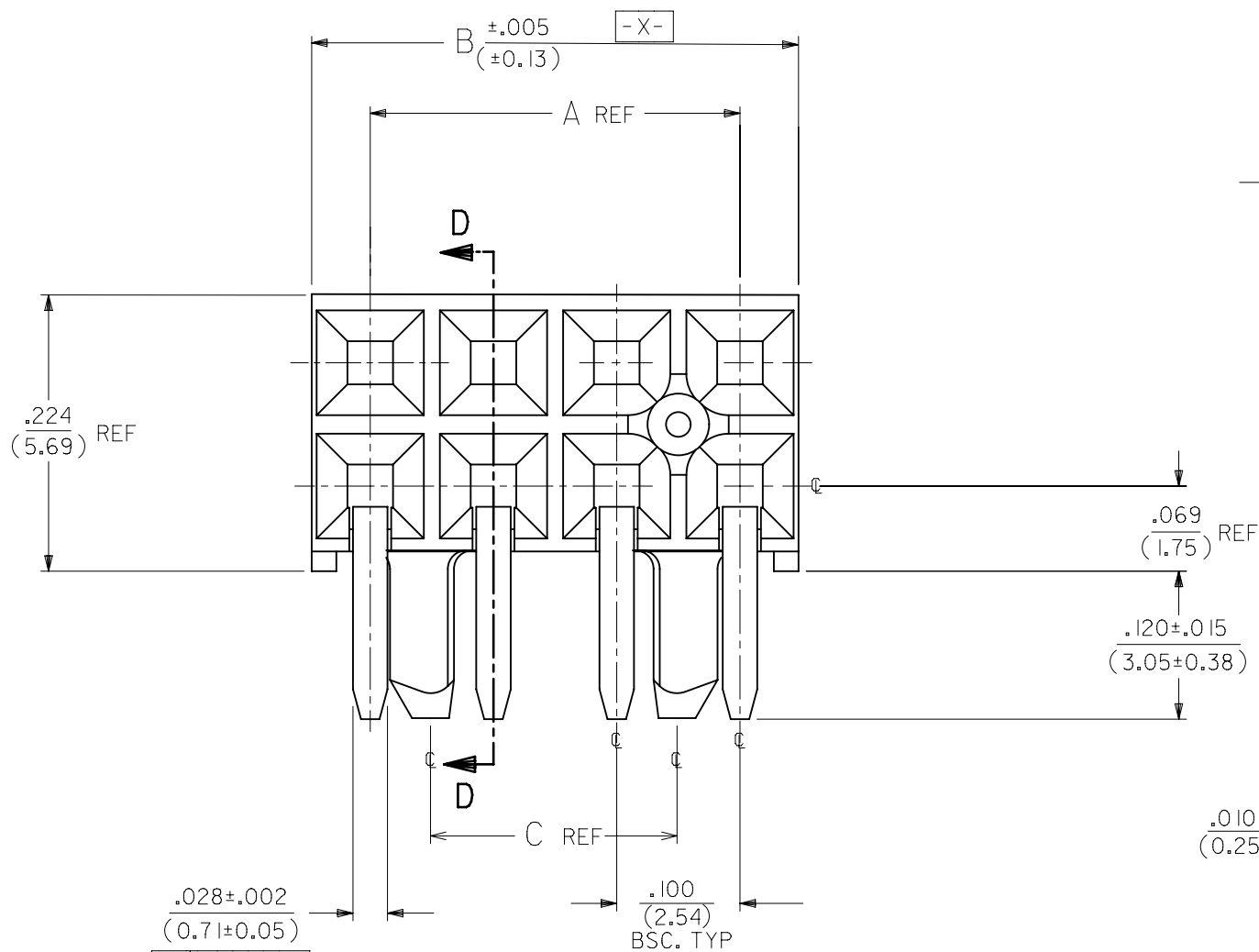
15 GOLD .000015 MINIMUM GOLD PLATE IN SELECT AREA OVER  
.000050 MINIMUM NICKEL UNDERPLATE OVER-ALL WITH  
.000075 MINIMUM TIN PLATE IN SELECT AREA.

30 GOLD .000030 MINIMUM GOLD PLATE IN SELECT AREA OVER  
.000050 MINIMUM NICKEL UNDERPLATE OVER-ALL WITH  
.000075 MINIMUM TIN PLATE IN SELECT AREA.

50 GOLD .000050 MINIMUM GOLD PLATE IN SELECT AREA OVER  
.000050 MINIMUM NICKEL UNDERPLATE OVER-ALL WITH  
.000100 MINIMUM TIN PLATE IN SELECT AREA.

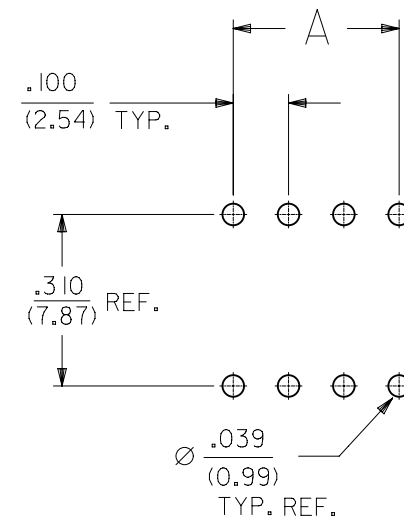
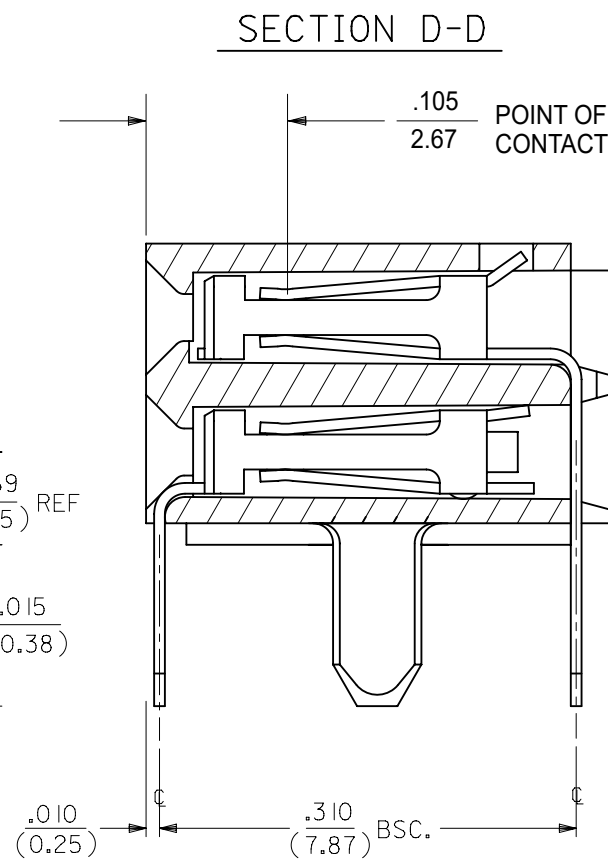
NOTES:

- 1.) MATERIAL -  
INSULATOR - LCP, UL 94V-0, COLOR BLACK  
CONTACTS - PHOSPHOR BRONZE
- 2.) SEE SHT. 22 FOR CHART DIMENSIONS AND ITEM NO.'S
- 3.) RECOMMENDED MATING PIN LENGTH:  
LOWER ROW - .200" MINIMUM, .250" MAX.  
UPPER ROW - .200" MINIMUM
- 4.) REFER TO PRODUCT SPECIFICATION PS-71973-9999 FOR PERFORMANCE DATA
- 5.) MANUFACTURED DATE CODE - YEAR, WEEK.
- 6.) PACKAGING: FOR THIS PRODUCT IN TUBES SEE SHT. 26



⊕ ∅.015 ⊕ TAIL TO TAIL  
⊕ ∅.020 ⊕ X ⊕ Y ⊕ TAIL TO INSULATOR  
(SEE NOTE 8)

OPTION "L" ASSEMBLY  
STANDARD HOUSING W/ PEGS



RECOMMENDED P.C.B.  
LAYOUT

THIS DRAWING CONTAINS INFORMATION THAT IS PROPRIETARY TO MOLEX ELECTRONIC TECHNOLOGIES, LLC AND SHOULD NOT BE USED WITHOUT WRITTEN PERMISSION		CURRENT REV DESC: OBSOLETE PART NUMBER		<b>molex</b>	
DIMENSION UNITS	SCALE	EC NO: 718009			
IN/MM	NTS	DRWN: ABHISP1 2021/02/12		PRODUCT CUSTOMER DRAWING	
GENERAL TOLERANCES (UNLESS SPECIFIED)		CHK'D: DANUSA 2022/09/16		DOCUMENT NUMBER	
		APPR: MRAMAKRISHNA 2022/09/16		SDA-71973-XXXX	
		INITIAL REVISION:		DOC TYPE	
		DRWN: DJB 1991/10/21		PSD	
		APPR: MLONG 2010/01/14		DOC PART	
		ANGULAR TOL ± 0.5°		001	
DRAFT WHERE APPLICABLE MUST REMAIN WITHIN DIMENSIONS		THIRD ANGLE PROJECTION	DRAWING	SERIES	SHEET NUMBER
			A3-SIZE	71973	7 OF 25
		MATERIAL NUMBER		CUSTOMER	
		SEE TABLE		GENERAL MARKET	

NO. OF CKTS		OPTION A ASSEMBLY PACKAGED IN TUBES PER PK-70873-0138 (SEE SHEET 1 FOR FINISH SPECIFICATIONS)					DIMENSION			
PER ROW	TOTAL	TIN	15 GOLD	30 GOLD	50 GOLD	A	B			
4	8			71973-0304		.300 (7.62)	.395 (10.03)			
5	10		71973-0205	71973-0305		.400 (10.16)	.495 (12.57)			
6	12		71973-0206	71973-0306		.500 (12.70)	.595 (15.11)			
7	14		71973-0207	71973-0307		.600 (15.24)	.695 (17.65)			
8	16		71973-0208	71973-0308		.700 (17.78)	.795 (20.19)			
9	18			71973-0309		.800 (20.32)	.895 (22.73)			
10	20		71973-0210	71973-0310		.900 (22.86)	.995 (25.27)			
11	22		71973-0211	71973-0311		1.000 (25.40)	1.095 (27.81)			
12	24		71973-0212	71973-0312		1.100 (27.94)	1.195 (30.35)			
13	26		71973-0213	71973-0313		1.200 (30.48)	1.295 (32.89)			
14	28		71973-0214	71973-0314		1.300 (33.02)	1.395 (35.43)			
15	30			71973-0315		1.400 (35.56)	1.495 (37.97)			
16	32		71973-0216	71973-0316		1.500 (38.10)	1.595 (40.51)			
17	34		71973-0217			1.600 (40.64)	1.695 (43.05)			
18	36			71973-0318		1.700 (43.18)	1.795 (45.59)			
19	38		71973-0219	71973-0319		1.800 (45.72)	1.895 (48.13)			
20	40		71973-0220	71973-0320		1.900 (48.26)	1.995 (50.67)			
21	42		71973-0221	71973-0321		2.000 (50.80)	2.095 (53.21)			
22	44		71973-0222	71973-0322		2.100 (53.34)	2.195 (55.75)			
23	46		71973-0223	71973-0323		2.200 (55.88)	2.295 (58.29)			
24	48		71973-0224	71973-0324		2.300 (58.42)	2.395 (60.83)			
25	50		71973-0225	71973-0325		2.400 (60.96)	2.495 (63.37)			
26	52		71973-0226	71973-0326		2.500 (63.50)	2.595 (65.91)			
27	54		71973-0227	71973-0327		2.600 (66.04)	2.695 (68.45)			
28	56		71973-0228	71973-0328		2.700 (68.58)	2.795 (70.99)			
29	58		71973-0229	71973-0329		2.800 (71.12)	2.895 (73.53)			
30	60		71973-0230	71973-0330		2.900 (73.66)	2.995 (76.07)			
31	62	(L) 71973-0131	71973-0231	71973-0331		3.000 (76.20)	3.095 (78.61)			
32	64		71973-0232	71973-0332		3.100 (78.74)	3.195 (81.15)			

NO. OF CKTS		OPTION A ASSEMBLY PACKAGED IN TUBES PER PK-70873-0138 (SEE SHEET 1 FOR FINISH SPECIFICATIONS)					DIMENSION			
PER ROW	TOTAL		15 GOLD	30 GOLD	50 GOLD	A	B			
33	66		71973-0233	71973-0333		3.200 (81.28)	3.295 (83.69)			
34	68		71973-0234	71973-0334		3.300 (83.82)	3.395 (86.23)			
35	70		71973-0235	71973-0335		3.400 (86.36)	3.495 (88.77)			
36	72		71973-0236	71973-0336		3.500 (88.90)	3.595 (91.31)			

THIS DRAWING CONTAINS INFORMATION THAT IS PROPRIETARY TO MOLEX ELECTRONIC TECHNOLOGIES, LLC AND SHOULD NOT BE USED WITHOUT WRITTEN PERMISSION DIMENSION UNITS: IN/MM SCALE: NTS GENERAL TOLERANCES (UNLESS SPECIFIED): 4 PLACES ± MM INCH 3 PLACES ± 0.01 2 PLACES ± 0.25 1 PLACE ± 0 PLACES ± ANGULAR TOL ± 0.5° DRAFT WHERE APPLICABLE MUST REMAIN WITHIN DIMENSIONS THIRD ANGLE PROJECTION DRAWING: A3-SIZE SERIES: 71973 MATERIAL NUMBER: SEE TABLE CUSTOMER: GENERAL MARKET SHEET NUMBER: 8 OF 25									
DOCUMENT STATUS: P1 RELEASE DATE: 2022/09/16 08:19:07					EC NO: 718009 DRWN: ABHISP1 CHK'D: DANUSA APPR: MRAMAKRISHNA INITIAL REVISION: DRWN: DJB APPR: MLONG 2021/02/12 2022/09/16 2022/09/16 1991/10/21 2010/01/14				
CURRENT REV DESC: OBSOLETE PART NUMBER					molex EARLY ENTRY R/A RECPT .120"PC TAIL W/O LOWER ROW PINSTOP-.100" GRID PRODUCT CUSTOMER DRAWING DOCUMENT NUMBER: SDA-71973-XXXX DOC TYPE: PSD DOC PART: 001 REVISION: L				



NO. OF CKTS		OPTION B ASSEMBLY PACKAGED IN TUBES PER PK-70873-0139 (SEE SHEET 1 FOR PLATING SPECIFICATIONS)					DIMENSION		
PER ROW	TOTAL	OPT. J ASSY 15 GOLD	15 GOLD	30 GOLD	50 GOLD	A	B	D	
4	8		71973-1004			.300 (7.62)	.395 (10.03)	.658 (16.71)	
5	10		71973-1005	71973-1105		.400 (10.16)	.495 (12.57)	.758 (19.25)	
6	12		71973-1006	71973-1106		.500 (12.70)	.595 (15.11)	.858 (21.79)	
7	14		71973-1007	71973-1107		.600 (15.24)	.695 (17.65)	.958 (24.33)	
8	16		71973-1008	71973-1108		.700 (17.78)	.795 (20.19)	1.058 (26.87)	
9	18		71973-1009	71973-1109	71973-1209	.800 (20.32)	.895 (22.73)	1.158 (29.41)	
10	20		71973-1010	71973-1110		.900 (22.86)	.995 (25.27)	1.258 (31.95)	
11	22		71973-1011	71973-1111	71973-1211	1.000 (25.40)	1.095 (27.81)	1.358 (34.49)	
12	24			71973-1112		1.100 (27.94)	1.195 (30.35)	1.458 (37.03)	
13	26		71973-1013		71973-1213	1.200 (30.48)	1.295 (32.89)	1.558 (39.57)	
14	28		71973-1014	71973-1114	71973-1214	1.300 (33.02)	1.395 (35.43)	1.658 (42.11)	
15	30	71973-1315	71973-1015			1.400 (35.56)	1.495 (37.97)	1.758 (44.65)	
16	32		71973-1016	71973-1116	71973-1216	1.500 (38.10)	1.595 (40.51)	1.858 (47.19)	
17	34		71973-1017	71973-1117	71973-1217	1.600 (40.64)	1.695 (43.05)	1.958 (49.73)	
18	36		71973-1018	71973-1118	71973-1218	1.700 (43.18)	1.795 (45.59)	2.058 (52.27)	
19	38		71973-1019	71973-1119	71973-1219	1.800 (45.72)	1.895 (48.13)	2.158 (54.81)	
20	40	71973-1320	71973-1020	71973-1120	71973-1220	1.900 (48.26)	1.995 (50.67)	2.258 (57.35)	
21	42		71973-1021	71973-1121	71973-1221	2.000 (50.80)	2.095 (53.21)	2.358 (59.89)	
22	44		71973-1022	71973-1122	71973-1222	2.100 (53.34)	2.195 (55.75)	2.458 (62.43)	
23	46		71973-1023	71973-1123	71973-1223	2.200 (55.88)	2.295 (58.29)	2.558 (64.97)	
24	48		71973-1024	71973-1124	71973-1224	2.300 (58.42)	2.395 (60.83)	2.658 (67.51)	
25	50			71973-1125	71973-1225	2.400 (60.96)	2.495 (63.37)	2.758 (70.05)	
26	52		71973-1026	71973-1126	71973-1226	2.500 (63.50)	2.595 (65.91)	2.858 (72.59)	
27	54		71973-1027	71973-1127	71973-1227	2.600 (66.04)	2.695 (68.45)	2.958 (75.13)	
28	56		71973-1028	71973-1128	71973-1228	2.700 (68.58)	2.795 (70.99)	3.058 (77.67)	
29	58		71973-1029	71973-1129	71973-1229	2.800 (71.12)	2.895 (73.53)	3.158 (80.21)	
30	60		71973-1030	71973-1130		2.900 (73.66)	2.995 (76.07)	3.258 (82.75)	
31	62		71973-1031	71973-1131	71973-1231	3.000 (76.20)	3.095 (78.61)	3.358 (85.29)	
32	64			71973-1132	71973-1232	3.100 (78.74)	3.195 (81.15)	3.458 (87.83)	

NO. OF CKTS		OPTION B ASSEMBLY PACKAGED IN TUBES PER PK-70873-0139 (SEE SHEET 1 FOR PLATING SPECIFICATIONS)					DIMENSION		
PER ROW	TOTAL	OPT. J ASSY 15 GOLD	15 GOLD	30 GOLD	50 GOLD	A	B	D	
33	66		71973-1033	71973-1133	71973-1233	3.200 (81.28)	3.295 (83.69)	3.558 (90.37)	
34	68		71973-1034	71973-1134	71973-1234	3.300 (83.82)	3.395 (86.23)	3.658 (92.91)	
35	70		71973-1035	71973-1135	71973-1235	3.400 (86.36)	3.495 (88.77)	3.758 (95.45)	
36	72		71973-1036	71973-1136	71973-1236	3.500 (88.90)	3.595 (91.31)	3.858 (97.99)	



OPTION "J" IS THE SAME AS "B" EXCEPT DATE CODE IS NOT STAMPED ON HOUSING.

THIS DRAWING CONTAINS INFORMATION THAT IS PROPRIETARY TO MOLEX ELECTRONIC TECHNOLOGIES, LLC AND SHOULD NOT BE USED WITHOUT WRITTEN PERMISSION											
DIMENSION UNITS <b>IN/MM</b>		SCALE <b>NTS</b>		CURRENT REV DESC: OBSOLETE PART NUMBER				<b>molex</b>		EARLY ENTRY R/A RECPT .120"PC TAIL W/O LOWER ROW PINSTOP-.100" GRID	
GENERAL TOLERANCES (UNLESS SPECIFIED)											
4 PLACES ±		±									
3 PLACES ±		± 0.01									
2 PLACES ±		± 0.25									
1 PLACE ±		±									
0 PLACES ±		±									
ANGULAR TOL ± 0.5°											
DRAFT WHERE APPLICABLE MUST REMAIN WITHIN DIMENSIONS		THIRD ANGLE PROJECTION 		DRAWING <b>A3-SIZE</b>		SERIES <b>71973</b>		MATERIAL NUMBER SEE TABLE		CUSTOMER GENERAL MARKET	

DOCUMENT STATUS	P1	RELEASE DATE	2022/09/16	08:19:07
-----------------	----	--------------	------------	----------

NO. OF CKTS		OPTION A ASSEMBLY PACKAGED IN TRAYS PER PK-70873-0239 (SEE SHEET 1 FOR FINISH SPECIFICATIONS)					DIMENSION			
PER ROW	TOTAL		15 GOLD	30 GOLD	50 GOLD	A	B			
F	4	8	71973-6604	71973-6704	71973-6804	.300 (7.62)	.395 (10.03)			
	5	10	71973-6605	71973-6705	71973-6805	.400 (10.16)	.495 (12.57)			
	6	12	71973-6606	71973-6706	71973-6806	.500 (12.70)	.595 (15.11)			
	7	14	71973-6607	71973-6707	71973-6807	.600 (15.24)	.695 (17.65)			
	8	16	71973-6608	71973-6708	71973-6808	.700 (17.78)	.795 (20.19)			
	9	18		71973-6709	71973-6809	.800 (20.32)	.895 (22.73)			
E	10	20	71973-6610	71973-6710	71973-6810	.900 (22.86)	.995 (25.27)			
	11	22	71973-6611	71973-6711	71973-6811	1.000 (25.40)	1.095 (27.81)			
	12	24	71973-6612	71973-6712	71973-6812	1.100 (27.94)	1.195 (30.35)			
	13	26	71973-6613	71973-6713	71973-6813	1.200 (30.48)	1.295 (32.89)			
	14	28	71973-6614	71973-6714	71973-6814	1.300 (33.02)	1.395 (35.43)			
	15	30	71973-6615	71973-6715	71973-6815	1.400 (35.56)	1.495 (37.97)			
	16	32	71973-6616	71973-6716	71973-6816	1.500 (38.10)	1.595 (40.51)			
D	17	34	71973-6617	71973-6717	71973-6817	1.600 (40.64)	1.695 (43.05)			
	18	36	71973-6618	71973-6718	71973-6818	1.700 (43.18)	1.795 (45.59)			
	19	38	71973-6619	71973-6719	71973-6819	1.800 (45.72)	1.895 (48.13)			
	20	40	71973-6620	71973-6720	71973-6820	1.900 (48.26)	1.995 (50.67)			
	21	42	71973-6621	71973-6721	71973-6821	2.000 (50.80)	2.095 (53.21)			
	22	44	71973-6622	71973-6722	71973-6822	2.100 (53.34)	2.195 (55.75)			
	23	46	71973-6623	71973-6723	71973-6823	2.200 (55.88)	2.295 (58.29)			
	24	48	71973-6624	71973-6724	71973-6824	2.300 (58.42)	2.395 (60.83)			
C	25	50	71973-6625	71973-6725	71973-6825	2.400 (60.96)	2.495 (63.37)			
	26	52	71973-6626	71973-6726	71973-6826	2.500 (63.50)	2.595 (65.91)			
	27	54	71973-6627	71973-6727	71973-6827	2.600 (66.04)	2.695 (68.45)			
	28	56	71973-6628	71973-6728	71973-6828	2.700 (68.58)	2.795 (70.99)			
	29	58	71973-6629	71973-6729	71973-6829	2.800 (71.12)	2.895 (73.53)			
	30	60	71973-6630	71973-6730	71973-6830	2.900 (73.66)	2.995 (76.07)			
	31	62	71973-6631	71973-6731	71973-6831	3.000 (76.20)	3.095 (78.61)			
B	32	64	71973-6632	71973-6732	71973-6832	3.100 (78.74)	3.195 (81.15)			

NO. OF CKTS		OPTION A ASSEMBLY PACKAGED IN TRAYS PER PK-70873-0239 (SEE SHEET 1 FOR FINISH SPECIFICATIONS)					DIMENSION			
PER ROW	TOTAL		15 GOLD	30 GOLD	50 GOLD	A	B			
	33	66	71973-6633	71973-6733	71973-6833	3.200 (81.28)	3.295 (83.69)			
	34	68	71973-6634	71973-6734	71973-6834	3.300 (83.82)	3.395 (86.23)			
	35	70	71973-6635	71973-6735	71973-6835	3.400 (86.36)	3.495 (88.77)			
	36	72	71973-6636	71973-6736	71973-6836	3.500 (88.90)	3.595 (91.31)			

THIS DRAWING CONTAINS INFORMATION THAT IS PROPRIETARY TO MOLEX ELECTRONIC TECHNOLOGIES, LLC AND SHOULD NOT BE USED WITHOUT WRITTEN PERMISSION DIMENSION UNITS: IN/MM SCALE: NTS GENERAL TOLERANCES (UNLESS SPECIFIED): 4 PLACES ± 0.01 3 PLACES ± 0.02 2 PLACES ± 0.05 1 PLACE ± 0.10 0 PLACES ± 0.15 ANGULAR TOL ± 0.5° DRAFT WHERE APPLICABLE MUST REMAIN WITHIN DIMENSIONS		CURRENT REV DESC: OBSOLETE PART NUMBER EC NO: 718009 DRWN: ABHISP1 2021/02/12 CHK'D: DANUSA 2022/09/16 APPR: MRAMAKRISHNA 2022/09/16 INITIAL REVISION: DRWN: DJB 1991/10/21 APPR: MLONG 2010/01/14		 EARLY ENTRY R/A RECPT .120"PC TAIL W/O LOWER ROW PINSTOP-.100" GRID PRODUCT CUSTOMER DRAWING		DOCUMENT NUMBER: SDA-71973-XXXX DOC TYPE: PSD DOC PART: 001 REVISION: L		
DOCUMENT STATUS: P1 RELEASE DATE: 2022/09/16 08:19:07	DIMENSION UNITS: IN/MM SCALE: NTS		EC NO: 718009 DRWN: ABHISP1 2021/02/12 CHK'D: DANUSA 2022/09/16 APPR: MRAMAKRISHNA 2022/09/16		 EARLY ENTRY R/A RECPT .120"PC TAIL W/O LOWER ROW PINSTOP-.100" GRID PRODUCT CUSTOMER DRAWING		DOCUMENT NUMBER: SDA-71973-XXXX DOC TYPE: PSD DOC PART: 001 REVISION: L	

F	NO. OF CKTS		OPTION B ASSEMBLY PACKAGED IN TRAYS PER PK-70873-0239 (SEE SHEET 1 FOR FINISH SPECIFICATIONS)			DIMENSION		
	PER ROW	TOTAL	15 GOLD	30 GOLD	50 GOLD	A	B	D
4	8			71973-7104	71973-7204	.300 (7.62)	.395 (10.03)	.658 (16.71)
5	10		71973-7005	71973-7105	71973-7205	.400 (10.16)	.495 (12.57)	.758 (19.25)
6	12		71973-7006	71973-7106	71973-7206	.500 (12.70)	.595 (15.11)	.858 (21.79)
7	14		71973-7007	71973-7107	71973-7207	.600 (15.24)	.695 (17.65)	.958 (24.33)
8	16		71973-7008	71973-7108	71973-7208	.700 (17.78)	.795 (20.19)	1.058 (26.87)
9	18		71973-7009	71973-7109	71973-7209	.800 (20.32)	.895 (22.73)	1.158 (29.41)
E	10	20		71973-7110	71973-7210	.900 (22.86)	.995 (25.27)	1.258 (31.95)
11	22		71973-7011	71973-7111	71973-7211	1.000 (25.40)	1.095 (27.81)	1.358 (34.49)
12	24		71973-7012	71973-7112	71973-7212	1.100 (27.94)	1.195 (30.35)	1.458 (37.03)
13	26		71973-7013	71973-7113	71973-7213	1.200 (30.48)	1.295 (32.89)	1.558 (39.57)
14	28		71973-7014	71973-7114	71973-7214	1.300 (33.02)	1.395 (35.43)	1.658 (42.11)
15	30		71973-7015	71973-7115	71973-7215	1.400 (35.56)	1.495 (37.97)	1.758 (44.65)
16	32		71973-7016	71973-7116	71973-7216	1.500 (38.10)	1.595 (40.51)	1.858 (47.19)
D	17	34		71973-7017	71973-7117	1.600 (40.64)	1.695 (43.05)	1.958 (49.73)
18	36		71973-7018	71973-7118	71973-7218	1.700 (43.18)	1.795 (45.59)	2.058 (52.27)
19	38		71973-7019	71973-7119	71973-7219	1.800 (45.72)	1.895 (48.13)	2.158 (54.81)
20	40		71973-7020	71973-7120	71973-7220	1.900 (48.26)	1.995 (50.67)	2.258 (57.35)
21	42		71973-7021	71973-7121	71973-7221	2.000 (50.80)	2.095 (53.21)	2.358 (59.89)
22	44		71973-7022	71973-7122	71973-7222	2.100 (53.34)	2.195 (55.75)	2.458 (62.43)
23	46		71973-7023	71973-7123	71973-7223	2.200 (55.88)	2.295 (58.29)	2.558 (64.97)
24	48		71973-7024	71973-7124	71973-7224	2.300 (58.42)	2.395 (60.83)	2.658 (67.51)
C	25	50		71973-7025	71973-7125	2.400 (60.96)	2.495 (63.37)	2.758 (70.05)
26	52		71973-7026	71973-7126	71973-7226	2.500 (63.50)	2.595 (65.91)	2.858 (72.59)
27	54		71973-7027	71973-7127	71973-7227	2.600 (66.04)	2.695 (68.45)	2.958 (75.13)
28	56		71973-7028	71973-7128	71973-7228	2.700 (68.58)	2.795 (70.99)	3.058 (77.67)
29	58		71973-7029	71973-7129	71973-7229	2.800 (71.12)	2.895 (73.53)	3.158 (80.21)
30	60		71973-7030	71973-7130	71973-7230	2.900 (73.66)	2.995 (76.07)	3.258 (82.75)
31	62		71973-7031	71973-7131	71973-7231	3.000 (76.20)	3.095 (78.61)	3.358 (85.29)
B	32	64		71973-7032	71973-7132	3.100 (78.74)	3.195 (81.15)	3.458 (87.83)

F	NO. OF CKTS		OPTION B ASSEMBLY PACKAGED IN TRAYS PER PK-70873-0239 (SEE SHEET 1 FOR FINISH SPECIFICATIONS)			DIMENSION		
	PER ROW	TOTAL	15 GOLD	30 GOLD	50 GOLD	A	B	D
33	66		71973-7033	71973-7133	71973-7233	3.200 (81.28)	3.295 (83.69)	3.558 (90.37)
34	68		71973-7034	71973-7134	71973-7234	3.300 (83.82)	3.395 (86.23)	3.658 (92.91)
35	70		71973-7035	71973-7135	71973-7235	3.400 (86.36)	3.495 (88.77)	3.758 (95.45)
36	72		71973-7036	71973-7136	71973-7236	3.500 (88.90)	3.595 (91.31)	3.858 (97.99)

A

THIS DRAWING CONTAINS INFORMATION THAT IS PROPRIETARY TO MOLEX ELECTRONIC TECHNOLOGIES, LLC AND SHOULD NOT BE USED WITHOUT WRITTEN PERMISSION

DIMENSION UNITS <b>IN/MM</b>	SCALE <b>NTS</b>	CURRENT REV DESC: OBSOLETE PART NUMBER																	
GENERAL TOLERANCES (UNLESS SPECIFIED)		<b>molex</b>																	
<table border="1"> <tr><th>PLACES</th><th>MM</th><th>INCH</th></tr> <tr><td>4</td><td>±</td><td>±</td></tr> <tr><td>3</td><td>±</td><td>± 0.01</td></tr> <tr><td>2</td><td>± 0.25</td><td>±</td></tr> <tr><td>1</td><td>±</td><td>±</td></tr> <tr><td>0</td><td>±</td><td>±</td></tr> </table>				PLACES	MM	INCH	4	±	±	3	±	± 0.01	2	± 0.25	±	1	±	±	0
PLACES	MM	INCH																	
4	±	±																	
3	±	± 0.01																	
2	± 0.25	±																	
1	±	±																	
0	±	±																	
DRWN: DJB APPR: MLONG		EC NO: 718009 DRWN: ABHISP1 CHK'D: DANUSA APPR: MRAMAKRISHNA																	
INITIAL REVISION:		2021/02/12 2022/09/16 2022/09/16																	
ANGULAR TOL ± 0.5°		DOCUMENT NUMBER <b>SDA-71973-XXXX</b> DOC TYPE <b>PSD</b> DOC PART <b>001</b> REVISION <b>L</b>																	
DRAFT WHERE APPLICABLE MUST REMAIN WITHIN DIMENSIONS	THIRD ANGLE PROJECTION 	DRAWING <b>A3-SIZE</b>	SERIES <b>71973</b> MATERIAL NUMBER SEE TABLE CUSTOMER GENERAL MARKET SHEET NUMBER 11 OF 25																


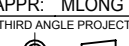
A

DOCUMENT STATUS	P1	RELEASE DATE	2022/09/16	08:19:07
-----------------	----	--------------	------------	----------

10		9			8			7			6		
NO. OF CKTS		OPTION C ASSEMBLY PACKAGED IN TUBES PER PK-70873-0138 (SEE SHEET 1 FOR FINISH SPECIFICATIONS)									DIMENSION		
PER ROW	TOTAL	15 GOLD			30 GOLD			50 GOLD			A	B	
4	8	X	71973-1804	X	71973-1904	X	71973-2004	.300 (7.62)	.395 (10.03)				
5	10	X	71973-1805	X	71973-1905	X	71973-2005	.400 (10.16)	.495 (12.57)				
6	12	X	71973-1806	X	71973-1906	X	71973-2006	.500 (12.70)	.595 (15.11)				
7	14	X	71973-1807	X	71973-1907	X	71973-2007	.600 (15.24)	.695 (17.65)				
8	16	X	71973-1808	X	71973-1908	X	71973-2008	.700 (17.78)	.795 (20.19)				
9	18	X	71973-1809	X	71973-1909	X	71973-2009	.800 (20.32)	.895 (22.73)				
10	20	X	71973-1810	X	71973-1910	X	71973-2010	.900 (22.86)	.995 (25.27)				
11	22	X	71973-1811	X	71973-1911	X	71973-2011	1.000 (25.40)	1.095 (27.81)				
12	24	X	71973-1812	X	71973-1912	X	71973-2012	1.100 (27.94)	1.195 (30.35)				
13	26	X	71973-1813	X	71973-1913	X	71973-2013	1.200 (30.48)	1.295 (32.89)				
14	28	X	71973-1814	X	71973-1914	X	71973-2014	1.300 (33.02)	1.395 (35.43)				
15	30	X	71973-1815	X	71973-1915	X	71973-2015	1.400 (35.56)	1.495 (37.97)				
16	32	X	71973-1816	X	71973-1916	X	71973-2016	1.500 (38.10)	1.595 (40.51)				
17	34	X	71973-1817	X	71973-1917	X	71973-2017	1.600 (40.64)	1.695 (43.05)				
18	36	X	71973-1818	X	71973-1918	X	71973-2018	1.700 (43.18)	1.795 (45.59)				
19	38	X	71973-1819	X	71973-1919	X	71973-2019	1.800 (45.72)	1.895 (48.13)				
20	40	X	71973-1820	X	71973-1920	X	71973-2020	1.900 (48.26)	1.995 (50.67)				
21	42	X	71973-1821	X	71973-1921	X	71973-2021	2.000 (50.80)	2.095 (53.21)				
22	44	X	71973-1822	X	71973-1922	X	71973-2022	2.100 (53.34)	2.195 (55.75)				
23	46	X	71973-1823	X	71973-1923	X	71973-2023	2.200 (55.88)	2.295 (58.29)				
24	48	X	71973-1824	X	71973-1924	X	71973-2024	2.300 (58.42)	2.395 (60.83)				
25	50	X	71973-1825	X	71973-1925	X	71973-2025	2.400 (60.96)	2.495 (63.37)				
26	52	X	71973-1826	X	71973-1926	X	71973-2026	2.500 (63.50)	2.595 (65.91)				
27	54	X	71973-1827	X	71973-1927	X	71973-2027	2.600 (66.04)	2.695 (68.45)				
28	56	X	71973-1828	X	71973-1928	X	71973-2028	2.700 (68.58)	2.795 (70.99)				
29	58	X	71973-1829	X	71973-1929	X	71973-2029	2.800 (71.12)	2.895 (73.53)				
30	60	X	71973-1830	X	71973-1930	X	71973-2030	2.900 (73.66)	2.995 (76.07)				
31	62	X	71973-1831	X	71973-1931	X	71973-2031	3.000 (76.20)	3.095 (78.61)				
32	64	X	71973-1832	X	71973-1932	X	71973-2032	3.100 (78.74)	3.195 (81.15)				

5		4			3			2			1		
NO. OF CKTS		OPTION C ASSEMBLY PACKAGED IN TUBES PER PK-70873-0138 (SEE SHEET 1 FOR FINISH SPECIFICATIONS)									DIMENSION		
PER ROW	TOTAL	15 GOLD			30 GOLD			50 GOLD			A	B	
33	66	X	71973-1833	X	71973-1933	X	71973-2033	3.200 (81.28)	3.295 (83.69)				
34	68	X	71973-1834	X	71973-1934	X	71973-2034	3.300 (83.82)	3.395 (86.23)				
35	70	X	71973-1835	X	71973-1935	X	71973-2035	3.400 (86.36)	3.495 (88.77)				
36	72	X	71973-1836	X	71973-1936	X	71973-2036	3.500 (88.90)	3.595 (91.31)				

"X" INDICATES TOOLING IS NOT AVAILABLE

THIS DRAWING CONTAINS INFORMATION THAT IS PROPRIETARY TO MOLEX ELECTRONIC TECHNOLOGIES, LLC AND SHOULD NOT BE USED WITHOUT WRITTEN PERMISSION															
DIMENSION UNITS		SCALE		CURRENT REV DESC: OBSOLETE PART NUMBER											
IN/MM		NTS													
GENERAL TOLERANCES (UNLESS SPECIFIED)															
		MM		INCH											
4 PLACES		±		±											
3 PLACES		±		± 0.01											
2 PLACES		±		± 0.25											
1 PLACE		±		±											
0 PLACES		±		±											
ANGULAR TOL		± 0.5°													
DRAFT WHERE APPLICABLE MUST REMAIN WITHIN DIMENSIONS				THIRD ANGLE PROJECTION		DRAWING		SERIES		MATERIAL NUMBER		CUSTOMER		SHEET NUMBER	
						A3-SIZE		71973		SEE TABLE		GENERAL MARKET		12 OF 25	

DOCUMENT STATUS | P1 | RELEASE DATE | 2022/09/16 08:19:07

10		9			8			7			6		
NO. OF CKTS		OPTION D ASSEMBLY PACKAGED IN TUBES PER PK-70873-0139 (SEE SHEET 1 FOR FINISH SPECIFICATIONS)						DIMENSION					
PER ROW	TOTAL	15 GOLD		30 GOLD		50 GOLD		A	B	D			
4	8	X	71973-2604	X	71973-2704	X	71973-2804	.300 (7.62)	.395 (10.03)	.658 (16.71)			
5	10	X	71973-2605	X	71973-2705	X	71973-2805	.400 (10.16)	.495 (12.57)	.758 (19.25)			
6	12	X	71973-2606	X	71973-2706	X	71973-2806	.500 (12.70)	.595 (15.11)	.858 (21.79)			
7	14	X	71973-2607	X	71973-2707	X	71973-2807	.600 (15.24)	.695 (17.65)	.958 (24.33)			
8	16	X	71973-2608	X	71973-2708	X	71973-2808	.700 (17.78)	.795 (20.19)	1.058 (26.87)			
9	18	X	71973-2609	X	71973-2709	X	71973-2809	.800 (20.32)	.895 (22.73)	1.158 (29.41)			
10	20	X	71973-2610	X	71973-2710	X	71973-2810	.900 (22.86)	.995 (25.27)	1.258 (31.95)			
11	22	X	71973-2611	X	71973-2711	X	71973-2811	1.000 (25.40)	1.095 (27.81)	1.358 (34.49)			
12	24	X	71973-2612	X	71973-2712	X	71973-2812	1.100 (27.94)	1.195 (30.35)	1.458 (37.03)			
13	26	X	71973-2613	X	71973-2713	X	71973-2813	1.200 (30.48)	1.295 (32.89)	1.558 (39.57)			
14	28	X	71973-2614	X	71973-2714	X	71973-2814	1.300 (33.02)	1.395 (35.43)	1.658 (42.11)			
15	30	X	71973-2615	X	71973-2715	X	71973-2815	1.400 (35.56)	1.495 (37.97)	1.758 (44.65)			
16	32	X	71973-2616	X	71973-2716	X	71973-2816	1.500 (38.10)	1.595 (40.51)	1.858 (47.19)			
17	34	X	71973-2617	X	71973-2717	X	71973-2817	1.600 (40.64)	1.695 (43.05)	1.958 (49.73)			
18	36	X	71973-2618	X	71973-2718	X	71973-2818	1.700 (43.18)	1.795 (45.59)	2.058 (52.27)			
19	38	X	71973-2619	X	71973-2719	X	71973-2819	1.800 (45.72)	1.895 (48.13)	2.158 (54.81)			
20	40	X	71973-2620	X	71973-2720	X	71973-2820	1.900 (48.26)	1.995 (50.67)	2.258 (57.35)			
21	42	X	71973-2621	X	71973-2721	X	71973-2821	2.000 (50.80)	2.095 (53.21)	2.358 (59.89)			
22	44	X	71973-2622	X	71973-2722	X	71973-2822	2.100 (53.34)	2.195 (55.75)	2.458 (62.43)			
23	46	X	71973-2623	X	71973-2723	X	71973-2823	2.200 (55.88)	2.295 (58.29)	2.558 (64.97)			
24	48	X	71973-2624	X	71973-2724	X	71973-2824	2.300 (58.42)	2.395 (60.83)	2.658 (67.51)			
25	50	X	71973-2625	X	71973-2725	X	71973-2825	2.400 (60.96)	2.495 (63.37)	2.758 (70.05)			
26	52	X	71973-2626	X	71973-2726	X	71973-2826	2.500 (63.50)	2.595 (65.91)	2.858 (72.59)			
27	54	X	71973-2627	X	71973-2727	X	71973-2827	2.600 (66.04)	2.695 (68.45)	2.958 (75.13)			
28	56	X	71973-2628	X	71973-2728	X	71973-2828	2.700 (68.58)	2.795 (70.99)	3.058 (77.67)			
29	58	X	71973-2629	X	71973-2729	X	71973-2829	2.800 (71.12)	2.895 (73.53)	3.158 (80.21)			
30	60	X	71973-2630	X	71973-2730	X	71973-2830	2.900 (73.66)	2.995 (76.07)	3.258 (82.75)			
31	62	X	71973-2631	X	71973-2731	X	71973-2831	3.000 (76.20)	3.095 (78.61)	3.358 (85.29)			
32	64	X	71973-2632	X	71973-2732	X	71973-2832	3.100 (78.74)	3.195 (81.15)	3.458 (87.83)			

5		4			3			2			1		
NO. OF CKTS		OPTION D ASSEMBLY PACKAGED IN TUBES PER PK-70873-0139 (SEE SHEET 1 FOR FINISH SPECIFICATIONS)						DIMENSION					
PER ROW	TOTAL	15 GOLD		30 GOLD		50 GOLD		A	B	D			
33	66	X	71973-2633	X	71973-2733	X	71973-2833	3.200 (81.28)	3.295 (83.69)	3.558 (90.37)			
34	68	X	71973-2634	X	71973-2734	X	71973-2834	3.300 (83.82)	3.395 (86.23)	3.658 (92.91)			
35	70	X	71973-2635	X	71973-2735	X	71973-2835	3.400 (86.36)	3.495 (88.77)	3.758 (95.45)			
36	72	X	71973-2636	X	71973-2736	X	71973-2836	3.500 (88.90)	3.595 (91.31)	3.858 (97.99)			

"X" INDICATES TOOLING IS NOT AVAILABLE

THIS DRAWING CONTAINS INFORMATION THAT IS PROPRIETARY TO MOLEX ELECTRONIC TECHNOLOGIES, LLC AND SHOULD NOT BE USED WITHOUT WRITTEN PERMISSION											
DIMENSION UNITS <b>IN/MM</b>		SCALE <b>NTS</b>		CURRENT REV DESC: OBSOLETE PART NUMBER						<b>molex</b>	
GENERAL TOLERANCES (UNLESS SPECIFIED)				EC NO: 718009		2021/02/12		EARLY ENTRY R/A RECPT .120"PC TAIL W/O LOWER ROW PINSTOP-.100" GRID			
				DRWN: ABHISP1		2022/09/16		PRODUCT CUSTOMER DRAWING			
4 PLACES ±		±		CHK'D: DANUSA		2022/09/16		DOCUMENT NUMBER			
3 PLACES ±		± 0.01		APPR: MRAMAKRISHNA		2022/09/16		SDA-71973-XXXX			
2 PLACES ±		± 0.25		INITIAL REVISION:				DOC TYPE DOC PART REVISION			
1 PLACE ±		±		DRWN: DJB		1991/10/21		PSD 001 L			
0 PLACES ±		±		APPR: MLONG		2010/01/14					
ANGULAR TOL ± 0.5°				THIRD ANGLE PROJECTION		DRAWING		SHEET NUMBER			
DRAFT WHERE APPLICABLE MUST REMAIN WITHIN DIMENSIONS						A3-SIZE		13 OF 25			

10		9			8			7			6		
NO. OF CKTS		OPTION C ASSEMBLY PACKAGED IN TRAYS PER PK-70873-0239 (SEE SHEET 1 FOR FINISH SPECIFICATIONS)						DIMENSION					
PER ROW	TOTAL	15 GOLD		30 GOLD		50 GOLD		A	B				
4	8			71973-7404	71973-7504	71973-7604	.300 (7.62)	.395 (10.03)					
5	10			71973-7405	71973-7505	71973-7605	.400 (10.16)	.495 (12.57)					
6	12			71973-7406	71973-7506	71973-7606	.500 (12.70)	.595 (15.11)					
7	14			71973-7407	71973-7507	71973-7607	.600 (15.24)	.695 (17.65)					
8	16			71973-7408	71973-7508	71973-7608	.700 (17.78)	.795 (20.19)					
9	18			71973-7409	71973-7509	71973-7609	.800 (20.32)	.895 (22.73)					
10	20			71973-7410	71973-7510	71973-7610	.900 (22.86)	.995 (25.27)					
11	22			71973-7411	71973-7511	71973-7611	1.000 (25.40)	1.095 (27.81)					
12	24			71973-7412	71973-7512	71973-7612	1.100 (27.94)	1.195 (30.35)					
13	26			71973-7413	71973-7513	71973-7613	1.200 (30.48)	1.295 (32.89)					
14	28			71973-7414	71973-7514	71973-7614	1.300 (33.02)	1.395 (35.43)					
15	30			71973-7415	71973-7515	71973-7615	1.400 (35.56)	1.495 (37.97)					
16	32			71973-7416	71973-7516	71973-7616	1.500 (38.10)	1.595 (40.51)					
17	34			71973-7417	71973-7517	71973-7617	1.600 (40.64)	1.695 (43.05)					
18	36			71973-7418	71973-7518	71973-7618	1.700 (43.18)	1.795 (45.59)					
19	38			71973-7419	71973-7519	71973-7619	1.800 (45.72)	1.895 (48.13)					
20	40			71973-7420	71973-7520	71973-7620	1.900 (48.26)	1.995 (50.67)					
21	42			71973-7421	71973-7521	71973-7621	2.000 (50.80)	2.095 (53.21)					
22	44			71973-7422	71973-7522	71973-7622	2.100 (53.34)	2.195 (55.75)					
23	46			71973-7423	71973-7523	71973-7623	2.200 (55.88)	2.295 (58.29)					
24	48			71973-7424	71973-7524	71973-7624	2.300 (58.42)	2.395 (60.83)					
25	50			71973-7425	71973-7525	71973-7625	2.400 (60.96)	2.495 (63.37)					
26	52			71973-7426	71973-7526	71973-7626	2.500 (63.50)	2.595 (65.91)					
27	54			71973-7427	71973-7527	71973-7627	2.600 (66.04)	2.695 (68.45)					
28	56			71973-7428	71973-7528	71973-7628	2.700 (68.58)	2.795 (70.99)					
29	58			71973-7429	71973-7529	71973-7629	2.800 (71.12)	2.895 (73.53)					
30	60			71973-7430	71973-7530	71973-7630	2.900 (73.66)	2.995 (76.07)					
31	62			71973-7431	71973-7531	71973-7631	3.000 (76.20)	3.095 (78.61)					
32	64			71973-7432	71973-7532	71973-7632	3.100 (78.74)	3.195 (81.15)					

5		4			3			2			1		
NO. OF CKTS		OPTION C ASSEMBLY PACKAGED IN TRAYS PER PK-70873-0239 (SEE SHEET 1 FOR FINISH SPECIFICATIONS)						DIMENSION					
PER ROW	TOTAL	15 GOLD		30 GOLD		50 GOLD		A	B				
33	66			71973-7433	71973-7533	71973-7633	3.200 (81.28)	3.295 (83.69)					
34	68			71973-7434	71973-7534	71973-7634	3.300 (83.82)	3.395 (86.23)					
35	70			71973-7435	71973-7535	71973-7635	3.400 (86.36)	3.495 (88.77)					
36	72			71973-7436	71973-7536	71973-7636	3.500 (88.90)	3.595 (91.31)					

THIS DRAWING CONTAINS INFORMATION THAT IS PROPRIETARY TO MOLEX ELECTRONIC TECHNOLOGIES, LLC AND SHOULD NOT BE USED WITHOUT WRITTEN PERMISSION															
DIMENSION UNITS		SCALE		CURRENT REV DESC: OBSOLETE PART NUMBER											
IN/MM		NTS		 EARLY ENTRY R/A RECPT .120"PC TAIL W/O LOWER ROW PINSTOP-.100" GRID											
GENERAL TOLERANCES (UNLESS SPECIFIED)															
		MM	INCH	EC NO: 718009 DRWN: ABHISP1 2021/02/12 CHK'D: DANUSA 2022/09/16 APPR: MRAMAKRISHNA 2022/09/16 INITIAL REVISION: DRWN: DJB 1991/10/21 APPR: MLONG 2010/01/14											
4 PLACES	±		±												
3 PLACES	±		± 0.01												
2 PLACES	±	0.25	±												
1 PLACE	±		±												
0 PLACES	±		±	DOCUMENT NUMBER				DOC TYPE		DOC PART		REVISION			
ANGULAR TOL ± 0.5°				SDA-71973-XXXX				PSD		001		L			
DRAFT WHERE APPLICABLE MUST REMAIN WITHIN DIMENSIONS				THIRD ANGLE PROJECTION		DRAWING		SERIES		MATERIAL NUMBER		CUSTOMER		SHEET NUMBER	
						A3-SIZE		71973		SEE TABLE		GENERAL MARKET		14 OF 25	
DOCUMENT STATUS		P1	RELEASE DATE		2022/09/16		08:19:07								

10		9			8		7		6	
NO. OF CKTS		OPTION D ASSEMBLY PACKAGED IN TRAYS PER PK-70873-0239 (SEE SHEET 1 FOR FINISH SPECIFICATIONS)					DIMENSION			
PER ROW	TOTAL	15 GOLD		30 GOLD		50 GOLD		A	B	D
4	8	71973-7804	71973-7904	71973-8004	.300 (7.62)	.395 (10.03)	.658 (16.71)			
5	10	71973-7805	71973-7905	71973-8005	.400 (10.16)	.495 (12.57)	.758 (19.25)			
6	12	71973-7806	71973-7906	71973-8006	.500 (12.70)	.595 (15.11)	.858 (21.79)			
7	14	71973-7807	71973-7907	71973-8007	.600 (15.24)	.695 (17.65)	.958 (24.33)			
8	16	71973-7808	71973-7908	71973-8008	.700 (17.78)	.795 (20.19)	1.058 (26.87)			
9	18	71973-7809	71973-7909	71973-8009	.800 (20.32)	.895 (22.73)	1.158 (29.41)			
10	20	71973-7810	71973-7910	71973-8010	.900 (22.86)	.995 (25.27)	1.258 (31.95)			
11	22	71973-7811	71973-7911	71973-8011	1.000 (25.40)	1.095 (27.81)	1.358 (34.49)			
12	24	71973-7812	71973-7912	71973-8012	1.100 (27.94)	1.195 (30.35)	1.458 (37.03)			
13	26	71973-7813	71973-7913	71973-8013	1.200 (30.48)	1.295 (32.89)	1.558 (39.57)			
14	28	71973-7814	71973-7914	71973-8014	1.300 (33.02)	1.395 (35.43)	1.658 (42.11)			
15	30	71973-7815	71973-7915	71973-8015	1.400 (35.56)	1.495 (37.97)	1.758 (44.65)			
16	32	71973-7816	71973-7916	71973-8016	1.500 (38.10)	1.595 (40.51)	1.858 (47.19)			
17	34	71973-7817	71973-7917	71973-8017	1.600 (40.64)	1.695 (43.05)	1.958 (49.73)			
18	36	71973-7818	71973-7918	71973-8018	1.700 (43.18)	1.795 (45.59)	2.058 (52.27)			
19	38	71973-7819	71973-7919	71973-8019	1.800 (45.72)	1.895 (48.13)	2.158 (54.81)			
20	40	71973-7820	71973-7920	71973-8020	1.900 (48.26)	1.995 (50.67)	2.258 (57.35)			
21	42	71973-7821	71973-7921	71973-8021	2.000 (50.80)	2.095 (53.21)	2.358 (59.89)			
22	44	71973-7822	71973-7922	71973-8022	2.100 (53.34)	2.195 (55.75)	2.458 (62.43)			
23	46	71973-7823	71973-7923	71973-8023	2.200 (55.88)	2.295 (58.29)	2.558 (64.97)			
24	48	71973-7824	71973-7924	71973-8024	2.300 (58.42)	2.395 (60.83)	2.658 (67.51)			
25	50	71973-7825	71973-7925	71973-8025	2.400 (60.96)	2.495 (63.37)	2.758 (70.05)			
26	52	71973-7826	71973-7926	71973-8026	2.500 (63.50)	2.595 (65.91)	2.858 (72.59)			
27	54	71973-7827	71973-7927	71973-8027	2.600 (66.04)	2.695 (68.45)	2.958 (75.13)			
28	56	71973-7828	71973-7928	71973-8028	2.700 (68.58)	2.795 (70.99)	3.058 (77.67)			
29	58	71973-7829	71973-7929	71973-8029	2.800 (71.12)	2.895 (73.53)	3.158 (80.21)			
30	60	71973-7830	71973-7930	71973-8030	2.900 (73.66)	2.995 (76.07)	3.258 (82.75)			
31	62	71973-7831	71973-7931	71973-8031	3.000 (76.20)	3.095 (78.61)	3.358 (85.29)			
32	64	71973-7832	71973-7932	71973-8032	3.100 (78.74)	3.195 (81.15)	3.458 (87.83)			

5		4			3		2		1	
NO. OF CKTS		OPTION D ASSEMBLY PACKAGED IN TRAYS PER PK-70873-0239 (SEE SHEET 1 FOR FINISH SPECIFICATIONS)					DIMENSION			
PER ROW	TOTAL	15 GOLD		30 GOLD		50 GOLD		A	B	D
33	66	71973-7833	71973-7933	71973-8033	3.200 (81.28)	3.295 (83.69)	3.558 (90.37)			
34	68	71973-7834	71973-7934	71973-8034	3.300 (83.82)	3.395 (86.23)	3.658 (92.91)			
35	70	71973-7835	71973-7935	71973-8035	3.400 (86.36)	3.495 (88.77)	3.758 (95.45)			
36	72	71973-7836	71973-7936	71973-8036	3.500 (88.90)	3.595 (91.31)	3.858 (97.99)			

THIS DRAWING CONTAINS INFORMATION THAT IS PROPRIETARY TO MOLEX ELECTRONIC TECHNOLOGIES, LLC AND SHOULD NOT BE USED WITHOUT WRITTEN PERMISSION									
DIMENSION UNITS <b>IN/MM</b>		SCALE <b>NTS</b>		CURRENT REV DESC: OBSOLETE PART NUMBER					
GENERAL TOLERANCES (UNLESS SPECIFIED)									
								EARLY ENTRY R/A RECPT .120"PC TAIL W/O LOWER ROW PINSTOP-.100" GRID	
								PRODUCT CUSTOMER DRAWING	
								DOCUMENT NUMBER	
								SDA-71973-XXXX	
								DOC TYPE	
								PSD	
								DOC PART	
								001	
								REVISION	
								L	
								SHEET NUMBER	
								15 OF 25	

NO. OF CKTS		OPTION E ASSEMBLY PACKAGED IN TUBES PER PK-70873-0138 (SEE SHEET 1 FOR FINISH SPECIFICATIONS)					DIMENSION			
PER ROW	TOTAL	15 GOLD	30 GOLD	50 GOLD	A	B				
4	8				.300 (7.62)	.395 (10.03)				
5	10				.400 (10.16)	.495 (12.57)				
6	12				.500 (12.70)	.595 (15.11)				
7	14				.600 (15.24)	.695 (17.65)				
8	16				.700 (17.78)	.795 (20.19)				
9	18				.800 (20.32)	.895 (22.73)				
10	20				.900 (22.86)	.995 (25.27)				
11	22				1.000 (25.40)	1.095 (27.81)				
12	24				1.100 (27.94)	1.195 (30.35)				
13	26				1.200 (30.48)	1.295 (32.89)				
14	28				1.300 (33.02)	1.395 (35.43)				
15	30				1.400 (35.56)	1.495 (37.97)				
16	32				1.500 (38.10)	1.595 (40.51)				
17	34				1.600 (40.64)	1.695 (43.05)				
18	36				1.700 (43.18)	1.795 (45.59)				
19	38				1.800 (45.72)	1.895 (48.13)				
20	40				1.900 (48.26)	1.995 (50.67)				
21	42				2.000 (50.80)	2.095 (53.21)				
22	44				2.100 (53.34)	2.195 (55.75)				
23	46				2.200 (55.88)	2.295 (58.29)				
24	48				2.300 (58.42)	2.395 (60.83)				
25	50				2.400 (60.96)	2.495 (63.37)				
26	52				2.500 (63.50)	2.595 (65.91)				
27	54				2.600 (66.04)	2.695 (68.45)				
28	56				2.700 (68.58)	2.795 (70.99)				
29	58				2.800 (71.12)	2.895 (73.53)				
30	60			71973-3530	2.900 (73.66)	2.995 (76.07)				
31	62				3.000 (76.20)	3.095 (78.61)				
32	64				3.100 (78.74)	3.195 (81.15)				
33	66				3.200 (81.28)	3.295 (83.69)				

NO. OF CKTS		OPTION E ASSEMBLY PACKAGED IN TUBES PER PK-70873-0138 (SEE SHEET 1 FOR FINISH SPECIFICATIONS)					DIMENSION			
PER ROW	TOTAL	15 GOLD	30 GOLD	50 GOLD	A	B				
34	68				3.300 (83.82)	3.395 (86.23)				
35	70				3.400 (86.36)	3.495 (88.77)				
36	72				3.500 (88.90)	3.595 (91.31)				

"X" INDICATES TOOLING IS NOT AVAILABLE

DOCUMENT STATUS		P1	RELEASE DATE	2022/09/16	08:19:07
-----------------	--	----	--------------	------------	----------

THIS DRAWING CONTAINS INFORMATION THAT IS PROPRIETARY TO MOLEX ELECTRONIC TECHNOLOGIES, LLC AND SHOULD NOT BE USED WITHOUT WRITTEN PERMISSION		
DIMENSION UNITS	SCALE	
IN/MM	NTS	
GENERAL TOLERANCES (UNLESS SPECIFIED)		
	MM	INCH
4 PLACES	±	±
3 PLACES	±	± 0.01
2 PLACES	±	± 0.25
1 PLACE	±	±
0 PLACES	±	±
ANGULAR TOL ± 0.5°		
DRAFT WHERE APPLICABLE MUST REMAIN WITHIN DIMENSIONS		


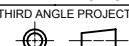
CURRENT REV DESC: OBSOLETE PART NUMBER				
<b>molex</b>				
EARLY ENTRY R/A RECPT .120"PC TAIL W/O LOWER ROW PINSTOP-.100" GRID				
PRODUCT CUSTOMER DRAWING				
EC NO: 718009	2021/02/12			
DRWN: ABHISP1	2022/09/16			
CHK'D: DANUSA	2022/09/16			
APPR: MRAMAKRISHNA	2022/09/16			
INITIAL REVISION:				
DRWN: DJB	1991/10/21			
APPR: MLONG	2010/01/14			
DOCUMENT NUMBER	DOC TYPE	DOC PART	REVISION	
SDA-71973-XXXX	PSD	001	L	
DRAFTING	SERIES	MATERIAL NUMBER	CUSTOMER	SHEET NUMBER
A3-SIZE	71973	SEE TABLE	GENERAL MARKET	16 OF 25



NO. OF CKTS		OPTION E ASSEMBLY PACKAGED IN TRAYS PER PK-70873-0239 (SEE SHEET 1 FOR FINISH SPECIFICATIONS)					DIMENSION			
PER ROW	TOTAL		15 GOLD	30 GOLD	50 GOLD	A	B			
4	8		71973-8204	71973-8304	71973-8404	.300 (7.62)	.395 (10.03)			
5	10		71973-8205	71973-8305	71973-8405	.400 (10.16)	.495 (12.57)			
6	12		71973-8206	71973-8306	71973-8406	.500 (12.70)	.595 (15.11)			
7	14		71973-8207	71973-8307	71973-8407	.600 (15.24)	.695 (17.65)			
8	16		71973-8208	71973-8308	71973-8408	.700 (17.78)	.795 (20.19)			
9	18		71973-8209	71973-8309	71973-8409	.800 (20.32)	.895 (22.73)			
10	20		71973-8210	71973-8310	71973-8410	.900 (22.86)	.995 (25.27)			
11	22		71973-8211	71973-8311	71973-8411	1.000 (25.40)	1.095 (27.81)			
12	24		71973-8212	71973-8312	71973-8412	1.100 (27.94)	1.195 (30.35)			
13	26		71973-8213	71973-8313	71973-8413	1.200 (30.48)	1.295 (32.89)			
14	28		71973-8214	71973-8314	71973-8414	1.300 (33.02)	1.395 (35.43)			
15	30		71973-8215	71973-8315	71973-8415	1.400 (35.56)	1.495 (37.97)			
16	32		71973-8216	71973-8316	71973-8416	1.500 (38.10)	1.595 (40.51)			
17	34		71973-8217	71973-8317	71973-8417	1.600 (40.64)	1.695 (43.05)			
18	36		71973-8218	71973-8318	71973-8418	1.700 (43.18)	1.795 (45.59)			
19	38		71973-8219	71973-8319	71973-8419	1.800 (45.72)	1.895 (48.13)			
20	40		71973-8220	71973-8320	71973-8420	1.900 (48.26)	1.995 (50.67)			
21	42		71973-8221	71973-8321	71973-8421	2.000 (50.80)	2.095 (53.21)			
22	44		71973-8222	71973-8322	71973-8422	2.100 (53.34)	2.195 (55.75)			
23	46		71973-8223	71973-8323	71973-8423	2.200 (55.88)	2.295 (58.29)			
24	48		71973-8224	71973-8324	71973-8424	2.300 (58.42)	2.395 (60.83)			
25	50		71973-8225	71973-8325	71973-8425	2.400 (60.96)	2.495 (63.37)			
26	52		71973-8226	71973-8326	71973-8426	2.500 (63.50)	2.595 (65.91)			
27	54		71973-8227	71973-8327	71973-8427	2.600 (66.04)	2.695 (68.45)			
28	56		71973-8228	71973-8328	71973-8428	2.700 (68.58)	2.795 (70.99)			
29	58		71973-8229	71973-8329	71973-8429	2.800 (71.12)	2.895 (73.53)			
30	60		71973-8230	71973-8330	71973-8430	2.900 (73.66)	2.995 (76.07)			
31	62		71973-8231	71973-8331	71973-8431	3.000 (76.20)	3.095 (78.61)			
32	64		71973-8232	71973-8332	71973-8432	3.100 (78.74)	3.195 (81.15)			
33	66		71973-8233	71973-8333	71973-8433	3.200 (81.28)	3.295 (83.69)			

NO. OF CKTS		OPTION E ASSEMBLY PACKAGED IN TRAYS PER PK-70873-0239 (SEE SHEET 1 FOR FINISH SPECIFICATIONS)					DIMENSION			
PER ROW	TOTAL		15 GOLD	30 GOLD	50 GOLD	A	B			
34	68		71973-8234	71973-8334	71973-8434	3.300 (83.82)	3.395 (86.23)			
35	70		71973-8235	71973-8335	71973-8435	3.400 (86.36)	3.495 (88.77)			
36	72		71973-8236	71973-8336	71973-8436	3.500 (88.90)	3.595 (91.31)			

"X" INDICATES TOOLING IS NOT AVAILABLE.

THIS DRAWING CONTAINS INFORMATION THAT IS PROPRIETARY TO MOLEX ELECTRONIC TECHNOLOGIES, LLC AND SHOULD NOT BE USED WITHOUT WRITTEN PERMISSION											
DIMENSION UNITS		SCALE		CURRENT REV DESC: OBSOLETE PART NUMBER							
IN/MM		NTS									
GENERAL TOLERANCES (UNLESS SPECIFIED)										<b>EC NO:</b> 718009 <b>DRWN:</b> ABHISP1 <b>CHK'D:</b> DANUSA <b>APPR:</b> MRAMAKRISHNA <b>INITIAL REVISION:</b> <b>DRWN:</b> DJB <b>APPR:</b> MLONG	
		MM	INCH								
4 PLACES	±		±								
3 PLACES	±		± 0.01								
2 PLACES	±	0.25	±								
1 PLACE	±		±								
0 PLACES	±		±								
ANGULAR TOL		± 0.5°									
DRAFT WHERE APPLICABLE MUST REMAIN WITHIN DIMENSIONS				THIRD ANGLE PROJECTION 		DRAWING A3-SIZE		SERIES 71973		MATERIAL NUMBER SEE TABLE	
								CUSTOMER GENERAL MARKET		SHEET NUMBER 17 OF 25	

DOCUMENT STATUS	P1	RELEASE DATE	2022/09/16	08:19:07
-----------------	----	--------------	------------	----------

NO. OF CKTS		OPTION F ASSEMBLY PACKAGED IN TRAYS PER PK-70873-0239 (SEE SHEET 1 FOR FINISH SPECIFICATIONS)					DIMENSION			
PER ROW	TOTAL		15 GOLD	30 GOLD	50 GOLD	A	B		D	
4	8		71973-8604	71973-8704	71973-8804	.300 (7.62)	.395 (10.03)		.658 (16.71)	
5	10		71973-8605	71973-8705	71973-8805	.400 (10.16)	.495 (12.57)		.758 (19.25)	
6	12		71973-8606	71973-8706	71973-8806	.500 (12.70)	.595 (15.11)		.858 (21.79)	
7	14		71973-8607	71973-8707	71973-8807	.600 (15.24)	.695 (17.65)		.958 (24.33)	
8	16		71973-8608	71973-8708	71973-8808	.700 (17.78)	.795 (20.19)		1.058 (26.87)	
9	18		71973-8609	71973-8709	71973-8809	.800 (20.32)	.895 (22.73)		1.158 (29.41)	
10	20		71973-8610	71973-8710	71973-8810	.900 (22.86)	.995 (25.27)		1.258 (31.95)	
11	22		71973-8611	71973-8711	71973-8811	1.000 (25.40)	1.095 (27.81)		1.358 (34.49)	
12	24		71973-8612	71973-8712	71973-8812	1.100 (27.94)	1.195 (30.35)		1.458 (37.03)	
13	26		71973-8613	71973-8713	71973-8813	1.200 (30.48)	1.295 (32.89)		1.558 (39.57)	
14	28		71973-8614	71973-8714	71973-8814	1.300 (33.02)	1.395 (35.43)		1.658 (42.11)	
15	30		71973-8615	71973-8715	71973-8815	1.400 (35.56)	1.495 (37.97)		1.758 (44.65)	
16	32		71973-8616	71973-8716	71973-8816	1.500 (38.10)	1.595 (40.51)		1.858 (47.19)	
17	34		71973-8617	71973-8717	71973-8817	1.600 (40.64)	1.695 (43.05)		1.958 (49.73)	
18	36		71973-8618	71973-8718	71973-8818	1.700 (43.18)	1.795 (45.59)		2.058 (52.27)	
19	38		71973-8619	71973-8719	71973-8819	1.800 (45.72)	1.895 (48.13)		2.158 (54.81)	
20	40		71973-8620	71973-8720	71973-8820	1.900 (48.26)	1.995 (50.67)		2.258 (57.35)	
21	42		71973-8621	71973-8721	71973-8821	2.000 (50.80)	2.095 (53.21)		2.358 (59.89)	
22	44		71973-8622	71973-8722	71973-8822	2.100 (53.34)	2.195 (55.75)		2.458 (62.43)	
23	46		71973-8623	71973-8723	71973-8823	2.200 (55.88)	2.295 (58.29)		2.558 (64.97)	
24	48		71973-8624	71973-8724	71973-8824	2.300 (58.42)	2.395 (60.83)		2.658 (67.51)	
25	50		71973-8625	71973-8725	71973-8825	2.400 (60.96)	2.495 (63.37)		2.758 (70.05)	
26	52		71973-8626	71973-8726	71973-8826	2.500 (63.50)	2.595 (65.91)		2.858 (72.59)	
27	54		71973-8627	71973-8727	71973-8827	2.600 (66.04)	2.695 (68.45)		2.958 (75.13)	
28	56		71973-8628	71973-8728	71973-8828	2.700 (68.58)	2.795 (70.99)		3.058 (77.67)	
29	58		71973-8629	71973-8729	71973-8829	2.800 (71.12)	2.895 (73.53)		3.158 (80.21)	
30	60		71973-8630	71973-8730	71973-8830	2.900 (73.66)	2.995 (76.07)		3.258 (82.75)	
31	62		71973-8631	71973-8731	71973-8831	3.000 (76.20)	3.095 (78.61)		3.358 (85.29)	
32	64		71973-8632	71973-8732	71973-8832	3.100 (78.74)	3.195 (81.15)		3.458 (87.83)	
33	66		71973-8633	71973-8733	71973-8833	3.200 (81.28)	3.295 (83.69)		3.558 (90.37)	

NO. OF CKTS		OPTION F ASSEMBLY PACKAGED IN TRAYS PER PK-70873-0239 (SEE SHEET 1 FOR FINISH SPECIFICATIONS)					DIMENSION			
PER ROW	TOTAL		15 GOLD	30 GOLD	50 GOLD	A	B		D	
34	68		71973-8634	71973-8734	71973-8834	3.300 (83.82)	3.395 (86.23)		3.658 (92.91)	
35	70		71973-8635	71973-8735	71973-8835	3.400 (86.36)	3.495 (88.77)		3.758 (95.45)	
36	72		71973-8636		71973-8836	3.500 (88.90)	3.595 (91.31)		3.858 (97.99)	


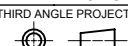
"X" INDICATES TOOLING IS NOT AVAILABLE.

THIS DRAWING CONTAINS INFORMATION THAT IS PROPRIETARY TO MOLEX ELECTRONIC TECHNOLOGIES, LLC AND SHOULD NOT BE USED WITHOUT WRITTEN PERMISSION											
DIMENSION UNITS		SCALE		CURRENT REV DESC: OBSOLETE PART NUMBER						<b>molex</b>	
IN/MM		NTS									
GENERAL TOLERANCES (UNLESS SPECIFIED)										EARLY ENTRY R/A RECPT .120"PC TAIL W/O LOWER ROW PINSTOP-.100" GRID	
4 PLACES ±		MM		INCH		EC NO: 718009		2021/02/12		PRODUCT CUSTOMER DRAWING	
3 PLACES ±		± 0.01				DRWN: ABHISP1		2022/09/16			
2 PLACES ±		0.25		±		CHK'D: DANUSA		2022/09/16		DOCUMENT NUMBER	
1 PLACE ±		±		±		APPR: MRAMAKRISHNA		2022/09/16			
0 PLACES ±		±		±		INITIAL REVISION:		1991/10/21		DOC PART	
ANGULAR TOL ± 0.5°		±		±		DRWN: DJB		2010/01/14		REVISION	
DRAFT WHERE APPLICABLE MUST REMAIN WITHIN DIMENSIONS		THIRD ANGLE PROJECTION		DRAWING		SERIES		MATERIAL NUMBER		CUSTOMER	
				A3-SIZE		71973		SEE TABLE		GENERAL MARKET	
										SHEET NUMBER	
										18 OF 25	

10		9			8			7			6		
NO. OF CKTS		OPTION G ASSEMBLY PACKAGED IN TUBES PER PK-70873-0138 (SEE SHEET 1 FOR FINISH SPECIFICATIONS)									DIMENSION		
PER ROW	TOTAL	15 GOLD			30 GOLD			50 GOLD			A	B	
4	8	X	71973-5004	X	71973-5104	X	71973-5204	.300 (7.62)	.395 (10.03)				
5	10	X	71973-5005	X	71973-5105	X	71973-5205	.400 (10.16)	.495 (12.57)				
6	12	X	71973-5006	X	71973-5106	X	71973-5206	.500 (12.70)	.595 (15.11)				
7	14	X	71973-5007	X	71973-5107	X	71973-5207	.600 (15.24)	.695 (17.65)				
8	16	X	71973-5008	X	71973-5108	X	71973-5208	.700 (17.78)	.795 (20.19)				
9	18	X	71973-5009	X	71973-5109	X	71973-5209	.800 (20.32)	.895 (22.73)				
10	20	X	71973-5010	X	71973-5110	X	71973-5210	.900 (22.86)	.995 (25.27)				
11	22	X	71973-5011	X	71973-5111	X	71973-5211	1.000 (25.40)	1.095 (27.81)				
12	24	X	71973-5012	X	71973-5112	X	71973-5212	1.100 (27.94)	1.195 (30.35)				
13	26	X	71973-5013	X	71973-5113	X	71973-5213	1.200 (30.48)	1.295 (32.89)				
14	28	X	71973-5014	X	71973-5114	X	71973-5214	1.300 (33.02)	1.395 (35.43)				
15	30	X	71973-5015	X	71973-5115	X	71973-5215	1.400 (35.56)	1.495 (37.97)				
16	32	X	71973-5016	X	71973-5116	X	71973-5216	1.500 (38.10)	1.595 (40.51)				
17	34	X	71973-5017	X	71973-5117	X	71973-5217	1.600 (40.64)	1.695 (43.05)				
18	36	X	71973-5018	X	71973-5118	X	71973-5218	1.700 (43.18)	1.795 (45.59)				
19	38	X	71973-5019	X	71973-5119	X	71973-5219	1.800 (45.72)	1.895 (48.13)				
20	40	X	71973-5020	X	71973-5120	X	71973-5220	1.900 (48.26)	1.995 (50.67)				
21	42	X	71973-5021	X	71973-5121	X	71973-5221	2.000 (50.80)	2.095 (53.21)				
22	44	X	71973-5022	X	71973-5122	X	71973-5222	2.100 (53.34)	2.195 (55.75)				
23	46	X	71973-5023	X	71973-5123	X	71973-5223	2.200 (55.88)	2.295 (58.29)				
24	48	X	71973-5024	X	71973-5124	X	71973-5224	2.300 (58.42)	2.395 (60.83)				
25	50	X	71973-5025	X	71973-5125	X	71973-5225	2.400 (60.96)	2.495 (63.37)				
26	52	X	71973-5026	X	71973-5126	X	71973-5226	2.500 (63.50)	2.595 (65.91)				
27	54	X	71973-5027	X	71973-5127	X	71973-5227	2.600 (66.04)	2.695 (68.45)				
28	56	X	71973-5028	X	71973-5128	X	71973-5228	2.700 (68.58)	2.795 (70.99)				
29	58	X	71973-5029	X	71973-5129	X	71973-5229	2.800 (71.12)	2.895 (73.53)				
30	60	X	71973-5030	X	71973-5130	X	71973-5230	2.900 (73.66)	2.995 (76.07)				
31	62	X	71973-5031	X	71973-5131	X	71973-5231	3.000 (76.20)	3.095 (78.61)				


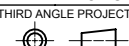
5		4			3			2			1		
NO. OF CKTS		OPTION G ASSEMBLY PACKAGED IN TUBES PER PK-70873-0138 (SEE SHEET 1 FOR FINISH SPECIFICATIONS)									DIMENSION		
PER ROW	TOTAL	15 GOLD			30 GOLD			50 GOLD			A	B	
32	64	X	71973-5032	X	71973-5132	X	71973-5232	3.100 (78.74)	3.195 (81.15)				
33	66	X	71973-5033	X	71973-5133	X	71973-5233	3.200 (81.28)	3.295 (83.69)				
34	68	X	71973-5034	X	71973-5134	X	71973-5234	3.300 (83.82)	3.395 (86.23)				
35	70	X	71973-5035	X	71973-5135	X	71973-5235	3.400 (86.36)	3.495 (88.77)				
36	72	X	71973-5036	X	71973-5136	X	71973-5236	3.500 (88.90)	3.595 (91.31)				

"X" INDICATES TOOLING IS NOT AVAILABLE.

THIS DRAWING CONTAINS INFORMATION THAT IS PROPRIETARY TO MOLEX ELECTRONIC TECHNOLOGIES, LLC AND SHOULD NOT BE USED WITHOUT WRITTEN PERMISSION											
DIMENSION UNITS		SCALE		CURRENT REV DESC: OBSOLETE PART NUMBER							
IN/MM		NTS									
GENERAL TOLERANCES (UNLESS SPECIFIED)				MM		INCH		<b>EARLY ENTRY R/A RECPT</b> .120"PC TAIL W/O LOWER ROW PINSTOP-.100" GRID  <b>PRODUCT CUSTOMER DRAWING</b>  EC NO: 718009 DRWN: ABHISP1 2021/02/12 CHK'D: DANUSA 2022/09/16 APPR: MRAMAKRISHNA 2022/09/16  INITIAL REVISION: DRWN: DJB 1991/10/21 APPR: MLONG 2010/01/14  DOCUMENT NUMBER: SDA-71973-XXXX DOC TYPE: PSD DOC PART: 001 REVISION: L			
4 PLACES	±		±								
3 PLACES	±		± 0.01								
2 PLACES	±	0.25	±								
1 PLACE	±		±								
0 PLACES	±		±								
ANGULAR TOL ± 0.5°				THIRD ANGLE PROJECTION		DRAWING		SERIES		MATERIAL NUMBER	
DRAFT WHERE APPLICABLE MUST REMAIN WITHIN DIMENSIONS						A3-SIZE		71973		SEE TABLE	
CUSTOMER				GENERAL MARKET		SHEET NUMBER		19 OF 25			

10		9			8			7			6			5		4			3			2			1						
NO. OF CKTS		OPTION H ASSEMBLY PACKAGED IN TUBES PER PK-70873-0139 (SEE SHEET 1 FOR FINISH SPECIFICATIONS)									DIMENSION				NO. OF CKTS		OPTION H ASSEMBLY PACKAGED IN TUBES PER PK-70873-0139 (SEE SHEET 1 FOR FINISH SPECIFICATIONS)									DIMENSION					
PER ROW	TOTAL	15 GOLD			30 GOLD			50 GOLD			A	B			D	PER ROW	TOTAL	15 GOLD			30 GOLD			50 GOLD			A	B			D
4	8	X	71973-5804	X	71973-5904	X	71973-6004				.300 (7.62)	.395 (10.03)		.658 (16.71)	31	62	X	71973-5831	X	71973-5931	X	71973-6031				3.000 (76.20)	3.095 (78.61)		3.358 (85.29)		
5	10	X	71973-5805	X	71973-5905	X	71973-6005				.400 (10.16)	.495 (12.57)		.758 (19.25)	32	64	X	71973-5832	X	71973-5932	X	71973-6032				3.100 (78.74)	3.195 (81.15)		3.458 (87.83)		
6	12	X	71973-5806	X	71973-5906	X	71973-6006				.500 (12.70)	.595 (15.11)		.858 (21.79)	33	66	X	71973-5833	X	71973-5933	X	71973-6033				3.200 (81.28)	3.295 (83.69)		3.558 (90.37)		
7	14	X	71973-5807	X	71973-5907	X	71973-6007				.600 (15.24)	.695 (17.65)		.958 (24.33)	34	68	X	71973-5834	X	71973-5934	X	71973-6034				3.300 (83.82)	3.395 (86.23)		3.658 (92.91)		
8	16	X	71973-5808	X	71973-5908	X	71973-6008				.700 (17.78)	.795 (20.19)		1.058 (26.87)	35	70	X	71973-5835	X	71973-5935	X	71973-6035				3.400 (86.36)	3.495 (88.77)		3.758 (95.45)		
9	18	X	71973-5809	X	71973-5909	X	71973-6009				.800 (20.32)	.895 (22.73)		1.158 (29.41)	36	72	X	71973-5836	X	71973-5936	X	71973-6036				3.500 (88.90)	3.595 (91.31)		3.858 (97.99)		
10	20	X	71973-5810	X	71973-5910	X	71973-6010				.900 (22.86)	.995 (25.27)		1.258 (31.95)																	
11	22	X	71973-5811	X	71973-5911	X	71973-6011				1.000 (25.40)	1.095 (27.81)		1.358 (34.49)																	
12	24	X	71973-5812	X	71973-5912	X	71973-6012				1.100 (27.94)	1.195 (30.35)		1.458 (37.03)																	
13	26	X	71973-5813	X	71973-5913	X	71973-6013				1.200 (30.48)	1.295 (32.89)		1.558 (39.57)																	
14	28	X	71973-5814	X	71973-5914	X	71973-6014				1.300 (33.02)	1.395 (35.43)		1.658 (42.11)																	
15	30	X	71973-5815	X	71973-5915	X	71973-6015				1.400 (35.56)	1.495 (37.97)		1.758 (44.65)																	
16	32	X	71973-5816	X	71973-5916	X	71973-6016				1.500 (38.10)	1.595 (40.51)		1.858 (47.19)																	
17	34	X	71973-5817	X	71973-5917	X	71973-6017				1.600 (40.64)	1.695 (43.05)		1.958 (49.73)																	
18	36	X	71973-5818	X	71973-5918	X	71973-6018				1.700 (43.18)	1.795 (45.59)		2.058 (52.27)																	
19	38	X	71973-5819	X	71973-5919	X	71973-6019				1.800 (45.72)	1.895 (48.13)		2.158 (54.81)																	
20	40	X	71973-5820	X	71973-5920	X	71973-6020				1.900 (48.26)	1.995 (50.67)		2.258 (57.35)																	
21	42	X	71973-5821	X	71973-5921	X	71973-6021				2.000 (50.80)	2.095 (53.21)		2.358 (59.89)																	
22	44	X	71973-5822	X	71973-5922	X	71973-6022				2.100 (53.34)	2.195 (55.75)		2.458 (62.43)																	
23	46	X	71973-5823	X	71973-5923	X	71973-6023				2.200 (55.88)	2.295 (58.29)		2.558 (64.97)																	
24	48	X	71973-5824	X	71973-5924	X	71973-6024				2.300 (58.42)	2.395 (60.83)		2.658 (67.51)																	
25	50	X	71973-5825	X	71973-5925	X	71973-6025				2.400 (60.96)	2.495 (63.37)		2.758 (70.05)																	
26	52	X	71973-5826	X	71973-5926	X	71973-6026				2.500 (63.50)	2.595 (65.91)		2.858 (72.59)																	
27	54	X	71973-5827	X	71973-5927	X	71973-6027				2.600 (66.04)	2.695 (68.45)		2.958 (75.13)																	
28	56	X	71973-5828	X	71973-5928	X	71973-6028				2.700 (68.58)	2.795 (70.99)		3.058 (77.67)																	
29	58	X	71973-5829	X	71973-5929	X	71973-6029				2.800 (71.12)	2.895 (73.53)		3.158 (80.21)																	
30	60	X	71973-5830	X	71973-5930	X	71973-6030				2.900 (73.66)	2.995 (76.07)		3.258 (82.75)																	


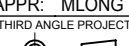
"X" INDICATES TOOLING IS NOT AVAILABLE.

THIS DRAWING CONTAINS INFORMATION THAT IS PROPRIETARY TO MOLEX ELECTRONIC TECHNOLOGIES, LLC AND SHOULD NOT BE USED WITHOUT WRITTEN PERMISSION																	
DIMENSION UNITS		SCALE		CURRENT REV DESC: OBSOLETE PART NUMBER													
IN/MM		NTS															
GENERAL TOLERANCES (UNLESS SPECIFIED)				MM		INCH		<b>EC NO: 718009</b> <b>DRWN: ABHISP1</b> 2021/02/12 <b>CHK'D: DANUSA</b> 2022/09/16 <b>APPR: MRAMAKRISHNA</b> 2022/09/16 <b>INITIAL REVISION:</b> <b>DRWN: DJB</b> 1991/10/21 <b>APPR: MLONG</b> 2010/01/14									
4 PLACES ±		±															
3 PLACES ±		± 0.01															
2 PLACES ±		0.25 ±															
1 PLACE ±		±															
0 PLACES ±		±						DOCUMENT NUMBER		DOC TYPE		DOC PART		REVISION			
ANGULAR TOL ± 0.5°								SDA-71973-XXXX				PSD		001		L	
DRAFT WHERE APPLICABLE MUST REMAIN WITHIN DIMENSIONS				THIRD ANGLE PROJECTION		DRAWING		SERIES		MATERIAL NUMBER		CUSTOMER		SHEET NUMBER			
						A3-SIZE		71973		SEE TABLE		GENERAL MARKET		20 OF 25			

10		9			8		7		6		
NO. OF CKTS		OPTION G ASSEMBLY PACKAGED IN TRAYS PER PK-70873-0239 (SEE SHEET 1 FOR FINISH SPECIFICATIONS)					DIMENSION				
PER ROW	TOTAL	15 GOLD		30 GOLD		50 GOLD		A	B		
4	8			71973-9004	71973-9104	71973-9204	.300 (7.62)	.395 (10.03)			
5	10			71973-9005	71973-9105	71973-9205	.400 (10.16)	.495 (12.57)			
6	12			71973-9006	71973-9106	71973-9206	.500 (12.70)	.595 (15.11)			
7	14			71973-9007	71973-9107	71973-9207	.600 (15.24)	.695 (17.65)			
8	16			71973-9008	71973-9108	71973-9208	.700 (17.78)	.795 (20.19)			
9	18			71973-9009	71973-9109	71973-9209	.800 (20.32)	.895 (22.73)			
10	20			71973-9010	71973-9110	71973-9210	.900 (22.86)	.995 (25.27)			
11	22			71973-9011	71973-9111	71973-9211	1.000 (25.40)	1.095 (27.81)			
12	24			71973-9012	71973-9112	71973-9212	1.100 (27.94)	1.195 (30.35)			
13	26			71973-9013	71973-9113	71973-9213	1.200 (30.48)	1.295 (32.89)			
14	28			71973-9014	71973-9114	71973-9214	1.300 (33.02)	1.395 (35.43)			
15	30			71973-9015	71973-9115	71973-9215	1.400 (35.56)	1.495 (37.97)			
16	32			71973-9016	71973-9116	71973-9216	1.500 (38.10)	1.595 (40.51)			
17	34			71973-9017	71973-9117	71973-9217	1.600 (40.64)	1.695 (43.05)			
18	36			71973-9018	71973-9118	71973-9218	1.700 (43.18)	1.795 (45.59)			
19	38			71973-9019	71973-9119	71973-9219	1.800 (45.72)	1.895 (48.13)			
20	40			71973-9020	71973-9120	71973-9220	1.900 (48.26)	1.995 (50.67)			
21	42			71973-9021	71973-9121	71973-9221	2.000 (50.80)	2.095 (53.21)			
22	44			71973-9022	71973-9122	71973-9222	2.100 (53.34)	2.195 (55.75)			
23	46			71973-9023	71973-9123	71973-9223	2.200 (55.88)	2.295 (58.29)			
24	48			71973-9024	71973-9124	71973-9224	2.300 (58.42)	2.395 (60.83)			
25	50			71973-9025	71973-9125	71973-9225	2.400 (60.96)	2.495 (63.37)			
26	52			71973-9026	71973-9126	71973-9226	2.500 (63.50)	2.595 (65.91)			
27	54			71973-9027	71973-9127	71973-9227	2.600 (66.04)	2.695 (68.45)			
28	56			71973-9028	71973-9128	71973-9228	2.700 (68.58)	2.795 (70.99)			
29	58			71973-9029	71973-9129	71973-9229	2.800 (71.12)	2.895 (73.53)			
30	60			71973-9030	71973-9130	71973-9230	2.900 (73.66)	2.995 (76.07)			
31	62			71973-9031	71973-9131	71973-9231	3.000 (76.20)	3.095 (78.61)			
32	64			71973-9032	71973-9132	71973-9232	3.100 (78.74)	3.195 (81.15)			
33	66			71973-9033	71973-9133	71973-9233	3.200 (81.28)	3.295 (83.69)			

5		4			3		2		1		
NO. OF CKTS		OPTION G ASSEMBLY PACKAGED IN TRAYS PER PK-70873-0239 (SEE SHEET 1 FOR FINISH SPECIFICATIONS)					DIMENSION				
PER ROW	TOTAL	15 GOLD		30 GOLD		50 GOLD		A	B		
34	68			71973-9034	71973-9134	71973-9234	3.300 (83.82)	3.395 (86.23)			
35	70			71973-9035	71973-9135	71973-9235	3.400 (86.36)	3.495 (88.77)			
36	72			71973-9036	71973-9136	71973-9236	3.500 (88.90)	3.595 (91.31)			

"X" INDICATES TOOLING IS NOT AVAILABLE

THIS DRAWING CONTAINS INFORMATION THAT IS PROPRIETARY TO MOLEX ELECTRONIC TECHNOLOGIES, LLC AND SHOULD NOT BE USED WITHOUT WRITTEN PERMISSION											
DIMENSION UNITS		SCALE		CURRENT REV DESC: OBSOLETE PART NUMBER							
IN/MM		NTS									
GENERAL TOLERANCES (UNLESS SPECIFIED)											
		MM		INCH							
4 PLACES		±		±							
3 PLACES		±		± 0.01							
2 PLACES		±		± 0.25							
1 PLACE		±		±							
0 PLACES		±		±							
ANGULAR TOL		± 0.5°									
DRAFT WHERE APPLICABLE MUST REMAIN WITHIN DIMENSIONS				THIRD ANGLE PROJECTION		DRAWING		SERIES		MATERIAL NUMBER	
						A3-SIZE		71973		SEE TABLE	
DOCUMENT STATUS				P1		RELEASE DATE		2022/09/16		08:19:07	
		9		8		7		6		5	
		4		3		2		1			



10		9			8			7				6
NO. OF CKTS		OPTION I ASSEMBLY PACKAGED IN TUBES PER PK-70873-0138 (SEE SHEET 1 FOR FINISH SPECIFICATIONS)						DIMENSION				
PER ROW	TOTAL				15 GOLD	30 GOLD	50 GOLD	A	B	C	D	
4	8			71973-9704	71973-9804	71973-9904	.300 (7.62)	.395 (10.03)	.200 (5.08)	.658 (16.71)		
5	10				71973-9805	71973-9905	.400 (10.16)	.495 (12.57)	.300 (7.62)	.758 (19.25)		
6	12				71973-9806	71973-9906	.500 (12.70)	.595 (15.11)	.400 (10.16)	.858 (21.79)		
7	14			71973-9707	71973-9807	71973-9907	.600 (15.24)	.695 (17.65)	.500 (12.70)	.958 (24.33)		
8	16			71973-9708	71973-9808	71973-9908	.700 (17.78)	.795 (20.19)	.600 (15.24)	1.058 (26.87)		
9	18			71973-9709	71973-9809	71973-9909	.800 (20.32)	.895 (22.73)	.700 (17.78)	1.158 (29.41)		
10	20			71973-9710	71973-9810	71973-9910	.900 (22.86)	.995 (25.27)	.800 (20.32)	1.258 (31.95)		
11	22			71973-9711	71973-9811	71973-9911	1.000 (25.40)	1.095 (27.81)	.900 (22.86)	1.358 (34.49)		
12	24			71973-9712	71973-9812	71973-9912	1.100 (27.94)	1.195 (30.35)	1.000 (25.40)	1.458 (37.03)		
13	26			71973-9713	71973-9813	71973-9913	1.200 (30.48)	1.295 (32.89)	1.100 (27.94)	1.558 (39.57)		
14	28			71973-9714	71973-9814	71973-9914	1.300 (33.02)	1.395 (35.43)	1.200 (30.48)	1.658 (42.11)		
15	30			71973-9715	71973-9815	71973-9915	1.400 (35.56)	1.495 (37.97)	1.300 (33.02)	1.758 (44.65)		
16	32			71973-9716	71973-9816	71973-9916	1.500 (38.10)	1.595 (40.51)	1.400 (35.56)	1.858 (47.19)		
17	34			71973-9717	71973-9817	71973-9917	1.600 (40.64)	1.695 (43.05)	1.500 (38.10)	1.958 (49.73)		
18	36			71973-9718	71973-9818	71973-9918	1.700 (43.18)	1.795 (45.59)	1.600 (40.64)	2.058 (52.27)		
19	38			71973-9719	71973-9819	71973-9919	1.800 (45.72)	1.895 (48.13)	1.700 (43.18)	2.158 (54.81)		
20	40			71973-9720	71973-9820	71973-9920	1.900 (48.26)	1.995 (50.67)	1.800 (45.72)	2.258 (57.35)		
21	42			71973-9721	71973-9821	71973-9921	2.000 (50.80)	2.095 (53.21)	1.900 (48.26)	2.358 (59.89)		
22	44			71973-9722	71973-9822	71973-9922	2.100 (53.34)	2.195 (55.75)	2.000 (50.80)	2.458 (62.43)		
23	46			71973-9723	71973-9823	71973-9923	2.200 (55.88)	2.295 (58.29)	2.100 (53.34)	2.558 (64.97)		
24	48			71973-9724	71973-9824	71973-9924	2.300 (58.42)	2.395 (60.83)	2.200 (55.88)	2.658 (67.51)		
25	50			71973-9725	71973-9825	71973-9925	2.400 (60.96)	2.495 (63.37)	2.300 (58.42)	2.758 (70.05)		
26	52			71973-9726	71973-9826	71973-9926	2.500 (63.50)	2.595 (65.91)	2.400 (60.96)	2.858 (72.59)		
27	54			71973-9727	71973-9827	71973-9927	2.600 (66.04)	2.695 (68.45)	2.500 (63.50)	2.958 (75.13)		
28	56			71973-9728	71973-9828	71973-9928	2.700 (68.58)	2.795 (70.99)	2.600 (66.04)	3.058 (77.67)		
29	58			71973-9729	71973-9829	71973-9929	2.800 (71.12)	2.895 (73.53)	2.700 (68.58)	3.158 (80.21)		
30	60			71973-9730	71973-9830	71973-9930	2.900 (73.66)	2.995 (76.07)	2.800 (71.12)	3.258 (82.75)		
31	62			71973-9731	71973-9831	71973-9931	3.000 (76.20)	3.095 (78.61)	2.900 (73.66)	3.358 (85.29)		
32	64			71973-9732	71973-9832	71973-9932	3.100 (78.74)	3.195 (81.15)	3.000 (76.20)	3.458 (87.83)		
33	66			71973-9733	71973-9833	71973-9933	3.200 (81.28)	3.295 (83.69)	3.100 (78.74)	3.558 (90.37)		

5		4			3			2				1
NO. OF CKTS		OPTION I ASSEMBLY PACKAGED IN TUBES PER PK-70873-0138 (SEE SHEET 1 FOR FINISH SPECIFICATIONS)						DIMENSION				
PER ROW	TOTAL				15 GOLD	30 GOLD	50 GOLD	A	B	C	D	
34	68			71973-9734	71973-9834	71973-9934	3.300 (83.82)	3.395 (86.23)	3.200 (81.28)	3.658 (92.91)		
35	70			71973-9735	71973-9835	71973-9935	3.400 (86.36)	3.495 (88.77)	3.300 (83.82)	3.758 (95.45)		
36	72			71973-9736	71973-9836	71973-9936	3.500 (88.90)	3.595 (91.31)	3.400 (86.36)	3.858 (97.99)		

"X" INDICATES TOOLING IS NOT AVAILABLE

DOCUMENT STATUS		P1	RELEASE DATE	2022/09/16	08:19:07
-----------------	--	----	--------------	------------	----------

THIS DRAWING CONTAINS INFORMATION THAT IS PROPRIETARY TO MOLEX ELECTRONIC TECHNOLOGIES, LLC AND SHOULD NOT BE USED WITHOUT WRITTEN PERMISSION		CURRENT REV DESC: OBSOLETE PART NUMBER		<b>molex</b>	
DIMENSION UNITS: IN/MM SCALE: NTS GENERAL TOLERANCES (UNLESS SPECIFIED): 4 PLACES ± 0.01 3 PLACES ± 0.02 2 PLACES ± 0.05 1 PLACE ± 0.10 0 PLACES ± 0.15 ANGULAR TOL ± 0.5°		EC NO: 718009 DRWN: ABHISP1 CHK'D: DANUSA APPR: MRAMAKRISHNA		2021/02/12 2022/09/16 2022/09/16	
DRAFT WHERE APPLICABLE MUST REMAIN WITHIN DIMENSIONS		THIRD ANGLE PROJECTION		DRAWING SERIES	
				A3-SIZE 71973	
MATERIAL NUMBER		CUSTOMER		SHEET NUMBER	
SEE TABLE		GENERAL MARKET		23 OF 25	

NO. OF CKTS	PER ROW	TOTAL	OPTION K ASSEMBLY PACKAGED IN TUBES PER PK-70873-0138 (SEE SHEET 1 FOR FINISH SPECIFICATIONS)			DIMENSION		
			15 GOLD	30 GOLD	50 GOLD	A	B	
4	8		71973-6204	71973-6304	71973-6404	.300 (7.62)	.395 (10.03)	
5	10		71973-6205	71973-6305	71973-6405	.400 (10.16)	.495 (12.57)	
6	12		71973-6206	71973-6306	71973-6406	.500 (12.70)	.595 (15.11)	
7	14		71973-6207	71973-6307	71973-6407	.600 (15.24)	.695 (17.65)	
8	16		71973-6208	71973-6308	71973-6408	.700 (17.78)	.795 (20.19)	
9	18		71973-6209	71973-6309	71973-6409	.800 (20.32)	.895 (22.73)	
10	20		71973-6210	71973-6310	71973-6410	.900 (22.86)	.995 (25.27)	
11	22		71973-6211	71973-6311	71973-6411	1.000 (25.40)	1.095 (27.81)	
12	24		71973-6212	71973-6312	71973-6412	1.100 (27.94)	1.195 (30.35)	
13	26		71973-6213	71973-6313	71973-6413	1.200 (30.48)	1.295 (32.89)	
14	28		71973-6214	71973-6314	71973-6414	1.300 (33.02)	1.395 (35.43)	
15	30		71973-6215	71973-6315	71973-6415	1.400 (35.56)	1.495 (37.97)	
16	32		71973-6216	71973-6316	71973-6416	1.500 (38.10)	1.595 (40.51)	
17	34		71973-6217	71973-6317	71973-6417	1.600 (40.64)	1.695 (43.05)	
18	36		71973-6218	71973-6318	71973-6418	1.700 (43.18)	1.795 (45.59)	
19	38		71973-6219	71973-6319	71973-6419	1.800 (45.72)	1.895 (48.13)	
20	40		71973-6220	71973-6320	71973-6420	1.900 (48.26)	1.995 (50.67)	
21	42		71973-6221	71973-6321	71973-6421	2.000 (50.80)	2.095 (53.21)	
22	44		71973-6222	71973-6322	71973-6422	2.100 (53.34)	2.195 (55.75)	
23	46		71973-6223	71973-6323	71973-6423	2.200 (55.88)	2.295 (58.29)	
24	48		71973-6224	71973-6324	71973-6424	2.300 (58.42)	2.395 (60.83)	
25	50		71973-6225	71973-6325	71973-6425	2.400 (60.96)	2.495 (63.37)	
26	52		71973-6226	71973-6326	71973-6426	2.500 (63.50)	2.595 (65.91)	
27	54		71973-6227	71973-6327	71973-6427	2.600 (66.04)	2.695 (68.45)	
28	56		71973-6228	71973-6328	71973-6428	2.700 (68.58)	2.795 (70.99)	
29	58		71973-6229	71973-6329	71973-6429	2.800 (71.12)	2.895 (73.53)	
30	60		71973-6230	71973-6330	71973-6430	2.900 (73.66)	2.995 (76.07)	
31	62		71973-6231	71973-6331	71973-6431	3.000 (76.20)	3.095 (78.61)	

"X" INDICATES TOOLING IS NOT AVAILABLE

NO. OF CKTS	PER ROW	TOTAL	OPTION K ASSEMBLY PACKAGED IN TUBES PER PK-70873-0138 (SEE SHEET 1 FOR FINISH SPECIFICATIONS)			DIMENSION		
			15 GOLD	30 GOLD	50 GOLD	A	B	
32	64		71973-6232	71973-6332	71973-6432	3.100 (78.74)	3.195 (81.15)	
33	66		71973-6233	71973-6333	71973-6433	3.200 (81.28)	3.295 (83.69)	
34	68		71973-6234	71973-6334	71973-6434	3.300 (83.82)	3.395 (86.23)	
35	70		71973-6235	71973-6335	71973-6435	3.400 (86.36)	3.495 (88.77)	
36	72		71973-6236	71973-6336	71973-6436	3.500 (88.90)	3.595 (91.31)	


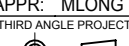
THIS DRAWING CONTAINS INFORMATION THAT IS PROPRIETARY TO MOLEX ELECTRONIC TECHNOLOGIES, LLC AND SHOULD NOT BE USED WITHOUT WRITTEN PERMISSION					
DIMENSION UNITS IN/MM		SCALE NTS		CURRENT REV DESC: OBSOLETE PART NUMBER	
GENERAL TOLERANCES (UNLESS SPECIFIED)					
		MM	INCH		
4 PLACES	±	±	±	EC NO: 718009	
3 PLACES	±	±	± 0.01	DRWN: ABHISP1 2021/02/12	
2 PLACES	±	0.25	±	CHK'D: DANUSA 2022/09/16	
1 PLACE	±	±	±	APPR: MRAMAKRISHNA 2022/09/16	
0 PLACES	±	±	±	INITIAL REVISION: DRWN: DJB 1991/10/21 APPR: MLONG 2010/01/14	
ANGULAR TOL ± 0.5°			DRAFT WHERE APPLICABLE MUST REMAIN WITHIN DIMENSIONS		
THIRD ANGLE PROJECTION		DRAWING		SERIES	
		A3-SIZE		71973	
DOCUMENT NUMBER				DOC TYPE   DOC PART   REVISION	
SDA-71973-XXXX				PSD 001 L	
MATERIAL NUMBER		CUSTOMER		SHEET NUMBER	
SEE TABLE		GENERAL MARKET		24 OF 25	



10		9		8		7		6			
NO. OF CKTS		OPTION L ASSEMBLY PACKAGED IN TUBES PER PK-70873-0138 (SEE SHEET 1 FOR FINISH SPECIFICATIONS)					DIMENSION				
		15 GOLD		30 GOLD		50 GOLD		A	B		
PER ROW	TOTAL										
4	8			71973-5404	71973-5504	71973-5604	.300 (7.62)	.395 (10.03)			
5	10			71973-5405	71973-5505	71973-5605	.400 (10.16)	.495 (12.57)			
6	12			71973-5406	71973-5506	71973-5606	.500 (12.70)	.595 (15.11)			
7	14			71973-5407	71973-5507	71973-5607	.600 (15.24)	.695 (17.65)			
8	16			71973-5408	71973-5508	71973-5608	.700 (17.78)	.795 (20.19)			
9	18			71973-5409	71973-5509	71973-5609	.800 (20.32)	.895 (22.73)			
10	20			71973-5410	71973-5510	71973-5610	.900 (22.86)	.995 (25.27)			
11	22			71973-5411	71973-5511	71973-5611	1.000 (25.40)	1.095 (27.81)			
12	24			71973-5412	71973-5512	71973-5612	1.100 (27.94)	1.195 (30.35)			
13	26			71973-5413	71973-5513	71973-5613	1.200 (30.48)	1.295 (32.89)			
14	28			71973-5414	71973-5514	71973-5614	1.300 (33.02)	1.395 (35.43)			
15	30			71973-5415	71973-5515	71973-5615	1.400 (35.56)	1.495 (37.97)			
16	32			71973-5416	71973-5516	71973-5616	1.500 (38.10)	1.595 (40.51)			
17	34			71973-5417	71973-5517	71973-5617	1.600 (40.64)	1.695 (43.05)			
18	36			71973-5418	71973-5518	71973-5618	1.700 (43.18)	1.795 (45.59)			
19	38			71973-5419	71973-5519	71973-5619	1.800 (45.72)	1.895 (48.13)			
20	40			71973-5420	71973-5520	71973-5620	1.900 (48.26)	1.995 (50.67)			
21	42			71973-5421	71973-5521	71973-5621	2.000 (50.80)	2.095 (53.21)			
22	44			71973-5422	71973-5522	71973-5622	2.100 (53.34)	2.195 (55.75)			
23	46			71973-5423	71973-5523	71973-5623	2.200 (55.88)	2.295 (58.29)			
24	48			71973-5424	71973-5524	71973-5624	2.300 (58.42)	2.395 (60.83)			
25	50			71973-5425	71973-5525	71973-5625	2.400 (60.96)	2.495 (63.37)			
26	52			71973-5426	71973-5526	71973-5626	2.500 (63.50)	2.595 (65.91)			
27	54			71973-5427	71973-5527	71973-5627	2.600 (66.04)	2.695 (68.45)			
28	56			71973-5428	71973-5528	71973-5628	2.700 (68.58)	2.795 (70.99)			
29	58			71973-5429	71973-5529	71973-5629	2.800 (71.12)	2.895 (73.53)			
30	60			71973-5430	71973-5530	71973-5630	2.900 (73.66)	2.995 (76.07)			

5		4		3		2		1			
NO. OF CKTS		OPTION L ASSEMBLY PACKAGED IN TUBES PER PK-70873-0138 (SEE SHEET 1 FOR FINISH SPECIFICATIONS)					DIMENSION				
		15 GOLD		30 GOLD		50 GOLD		A	B		
PER ROW	TOTAL										
31	62			71973-5431	71973-5531	71973-5631	3.000 (76.20)	3.095 (78.61)			
32	64			71973-5432	71973-5532	71973-5632	3.100 (78.74)	3.195 (81.15)			
33	66			71973-5433	71973-5533	71973-5633	3.200 (81.28)	3.295 (83.69)			
34	68			71973-5434	71973-5534	71973-5634	3.300 (83.82)	3.395 (86.23)			
35	70			71973-5435	71973-5535	71973-5635	3.400 (86.36)	3.495 (88.77)			
36	72			71973-5436	71973-5536	71973-5636	3.500 (88.90)	3.595 (91.31)			

"X" INDICATES TOOLING IS NOT AVAILABLE

THIS DRAWING CONTAINS INFORMATION THAT IS PROPRIETARY TO MOLEX ELECTRONIC TECHNOLOGIES, LLC AND SHOULD NOT BE USED WITHOUT WRITTEN PERMISSION											
DIMENSION UNITS		SCALE		CURRENT REV DESC: OBSOLETE PART NUMBER							
IN/MM		NTS									
GENERAL TOLERANCES (UNLESS SPECIFIED)				MM		INCH		EC NO: 718009 DRWN: ABHISP1 2021/02/12 CHK'D: DANUSA 2022/09/16 APPR: MRAMAKRISHNA 2022/09/16 INITIAL REVISION: DRWN: DJB 1991/10/21 APPR: MLONG 2010/01/14			
4 PLACES		±		±		±					
3 PLACES		±		±		0.01					
2 PLACES		±		0.25		±					
1 PLACE		±		±		±					
0 PLACES		±		±		±		DOCUMENT NUMBER <b>SDA-71973-XXXX</b>		DOC TYPE DOC PART REVISION PSD 001 L	
DRAFT WHERE APPLICABLE MUST REMAIN WITHIN DIMENSIONS				THIRD ANGLE PROJECTION		DRAWING		SERIES		SHEET NUMBER	
						A3-SIZE		71973		25 OF 25	