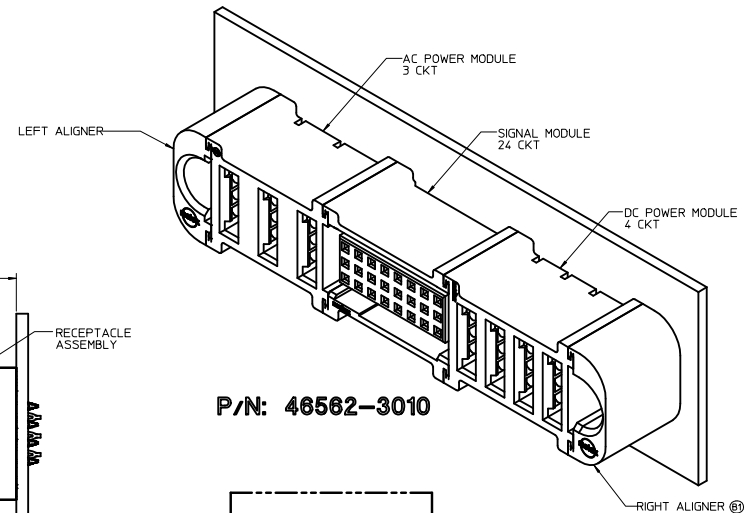
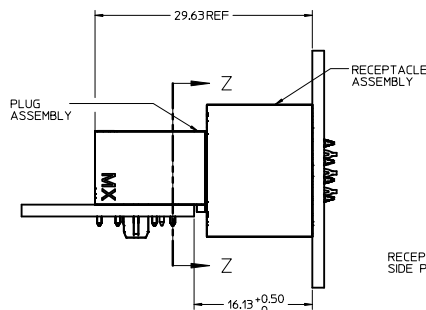
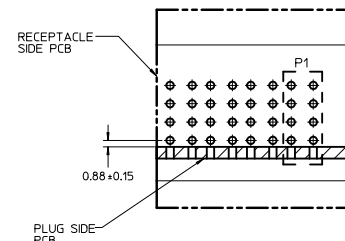


RECOMMENDED PCB LAYOUT AND KEEP-OUT ZONE



P/N: 46562-3010

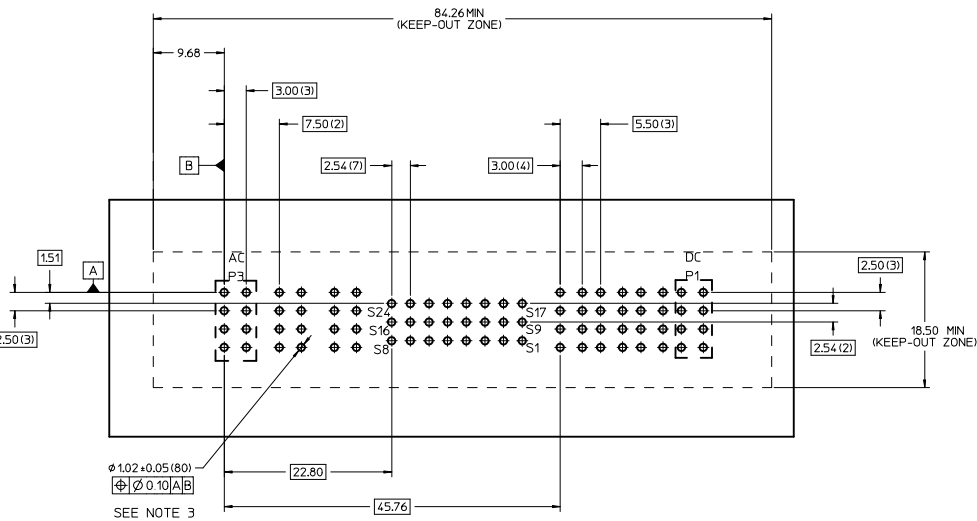
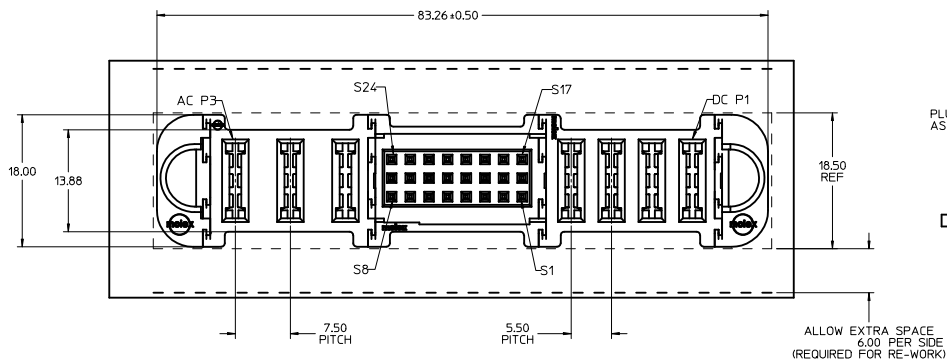
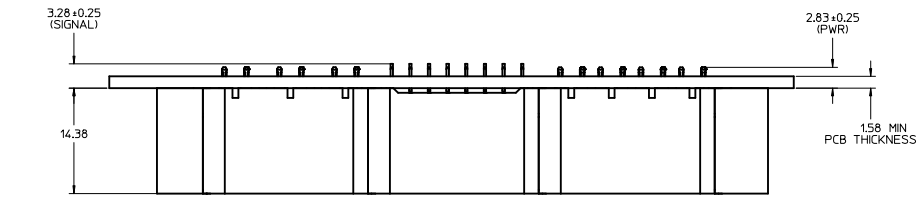


SECTION Z-Z

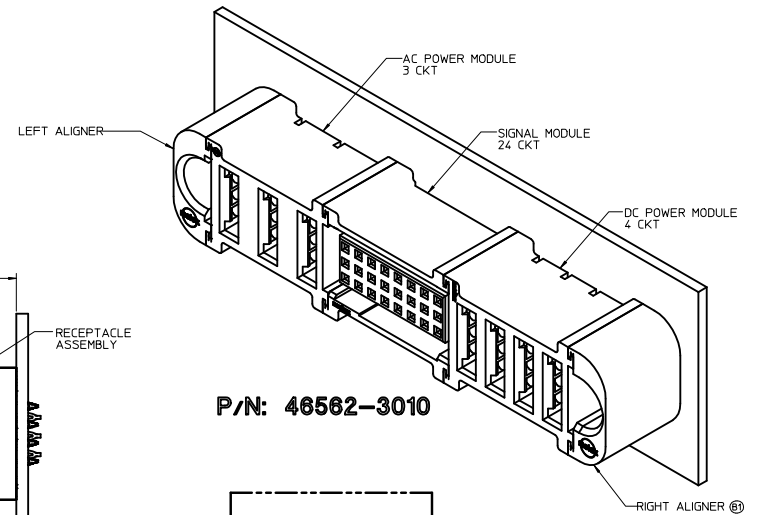
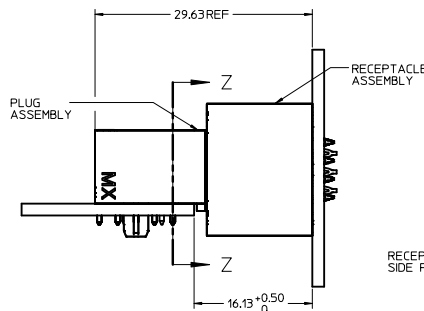
NOTES:

- MATERIAL:
 - HOUSINGS: LCP UL94 V-0, COLOR: BLACK.
 - TERMINALS: COPPER ALLOY.
 - PLATING: 0.000127 NICKEL OVERALL WITH 0.00254 SELECTIVE TIN ON COMPLIANT PINS. AND 0.000762 SELECTIVE GOLD ON CONTACT AREA.
- ASSEMBLIES PACKED IN TRAYS, SPO: TBD.
- PC BOARD REQUIRES THRU HOLES, REFER TO PS-46436-100 FOR DETAILS.
- PRODUCT SPEC: PS-46436-100.
- APPLICATION SPEC: AS-46436-100.
- PRODUCT TO MEET RoHS REQUIREMENTS.
- ASSEMBLY MATES WITH PLUG ASSEMBLY, P/N 46437-3010.

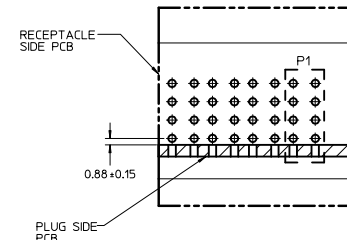
UPDATE DESCRIPTION EEC NO: LCP2010-1783 DRAWN: KJKOH 2010/01/22 CHK: CHYKOLING 2010/02/08 APPR: APATEL 2010/02/10 REV: B2	QUALITY SYMBOLS	GENERAL TOLERANCES (UNLESS SPECIFIED)		DIMENSION STYLE	SCALE	DESIGN UNITS	THIRD ANGLE PROJECTION
		mm	INCH	MM ONLY	3:1	METRIC	
		4 PLACES ±---	±---				
		3 PLACES ±---	±---				
	2 PLACES ±0.25	±---					
	1 PLACE ±0.25	±---					
	ANGULAR ±1/2°						
DRAFT WHERE APPLICABLE MUST REMAIN WITHIN DIMENSIONS		DRAWN BY DATE		MATERIAL NO.		DOCUMENT NO.	
		KJKOH 2009/03/11		46562-3010		SD-46562-310	
		CHECKED BY DATE		MOLEX INCORPORATED		SHEET NO.	
		LNG 2009/05/06				1 OF 1	
		APPROVED BY DATE		THIS DRAWING CONTAINS INFORMATION THAT IS PROPRIETARY TO MOLEX INCORPORATED AND SHOULD NOT BE USED WITHOUT WRITTEN PERMISSION			
		SHONG 2009/05/06					



RECOMMENDED PCB LAYOUT AND KEEP-OUT ZONE



P/N: 46562-3010



SECTION Z-Z

NOTES:

- MATERIAL:
 - HOUSINGS: LCP UL94 V-0, COLOR: BLACK.
 - TERMINALS: COPPER ALLOY.
 - PLATING: 0.000127 NICKEL OVERALL WITH 0.00254 SELECTIVE TIN ON COMPLIANT PINS. AND 0.000762 SELECTIVE GOLD ON CONTACT AREA.
- ASSEMBLIES PACKED IN TRAYS, SPO: TBD.
- PC BOARD REQUIRES THRU HOLES, REFER TO PS-46436-100 FOR DETAILS.
- PRODUCT SPEC: PS-46436-100.
- APPLICATION SPEC: AS-46436-100.
- PRODUCT TO MEET RoHS REQUIREMENTS.
- ASSEMBLY MATES WITH PLUG ASSEMBLY. P/N 46437-3010.

UPDATE DESCRIPTION EEC NO: LCP2010-1783 DRAWN: KJKOH 2010/01/22 CHK: CHYKOLING 2010/02/08 APPR: APATEL 2010/02/10 REV: B2	QUALITY SYMBOLS	GENERAL TOLERANCES (UNLESS SPECIFIED)	DIMENSION STYLE MM ONLY	SCALE 3:1	DESIGN UNITS METRIC	THIRD ANGLE PROJECTION																		
		<table border="1"> <tr> <th></th> <th>mm</th> <th>INCH</th> </tr> <tr> <td>4 PLACES</td> <td>±---</td> <td>±---</td> </tr> <tr> <td>3 PLACES</td> <td>±---</td> <td>±---</td> </tr> <tr> <td>2 PLACES</td> <td>±0.25</td> <td>±---</td> </tr> <tr> <td>1 PLACE</td> <td>±0.25</td> <td>±---</td> </tr> <tr> <td colspan="3">ANGULAR ±1/2°</td> </tr> </table>		mm	INCH	4 PLACES	±---	±---	3 PLACES	±---	±---	2 PLACES	±0.25	±---	1 PLACE	±0.25	±---	ANGULAR ±1/2°			DRAWN BY: KJKOH DATE: 2009/03/11 CHECKED BY: LNG DATE: 2009/05/06 APPROVED BY: SHONG DATE: 2009/05/06	TITLE	VERT RECEPT ASSY G-4P-24S-3AC-G TEN60 PRESS-FIT (B2)	
		mm	INCH																					
	4 PLACES	±---	±---																					
3 PLACES	±---	±---																						
2 PLACES	±0.25	±---																						
1 PLACE	±0.25	±---																						
ANGULAR ±1/2°																								
DRAFT WHERE APPLICABLE MUST REMAIN WITHIN DIMENSIONS	MATERIAL NO. 46562-3010	DOCUMENT NO. SD-46562-310	MOLEX INCORPORATED SHEET NO. 1 OF 1																					
	THIS DRAWING CONTAINS INFORMATION THAT IS PROPRIETARY TO MOLEX INCORPORATED AND SHOULD NOT BE USED WITHOUT WRITTEN PERMISSION																							