

NOTES:

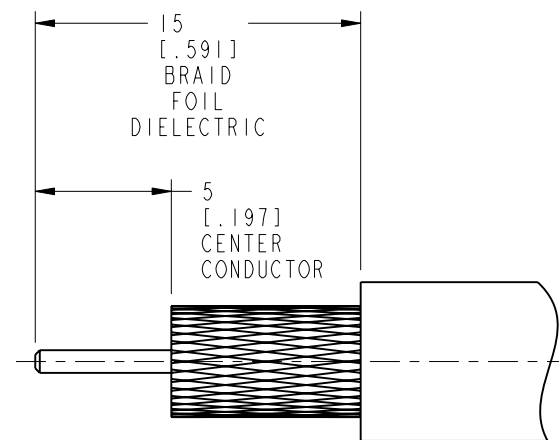
1. MATERIALS AND FINISHES:  
 BODY, RETAINING RING, WASHER, FERRULE,  
 AND BAYONET SLEEVE - BRASS, NICKEL PLATING  
 CONTACT - PHOSPHOR BRONZE, GOLD PLATING  
 OUT CONTACT - BERYLLIUM COPPER, NICKEL PLATING  
 INSULATOR - PTFE  
 INSULATOR DISK - ULTEM  
 SPRING - STAINLESS STEEL, PASSIVATED  
 GASKET - FLUOROSILICONE, BLACK
2. ELECTRICAL:  
 A. IMPEDANCE: 75 OHM  
 B. FREQUENCY RANGE: DC - 18 GHz  
 C. RETURN LOSS (VSWR): 25 dB MIN (1.11) @ DC - 6 GHz  
                                   20 dB MIN (1.22) @ 6 - 12 GHz  
 D. DIELECTRIC WITHSTANDING VOLTAGE: 1000 VRMS, MIN.  
 E. INSULATION RESISTANCE: 10,000 MΩ MIN.
3. MECHANICAL:  
 A. DURABILITY: 500 CYCLES MIN.  
 B. TEMPERATURE RANGE: -30° C TO +85° C

4. ENVIRONMENTAL:  
 A. THERMAL SHOCK PER MIL-STD-202 METHOD 107,  
    TEST CONDITON B (EXCEPT HIGH TEMP @200°C)  
 B. VIBRATION: MIL-STD-202 MTHOD 213 TEST CONDITION B  
 C. SHOCK: MIL-STD-202 METHOD 213 TEST CONDITION B  
 D. CORROSION: MIL-STD-202 METHOD 101  
    TEST CONDITION B 5% SALT SOLUTION
5. PACKAGING:  
 A. QUANTITY: SINGLE PACK  
 B. MARKING: PACKAGING TO BE MARKED  
    "AMPHENOL RF, 34-1132-12G DATE CODE  
    U.S. PATENT NO. 7,553,177"
6. CABLE ASSEMBLY INSTRUCTIONS:  
 A. TRIM CABLE AS SHOWN.  
 B. CRIMP CONTACT TO CABLE CENTER CONDUCTOR  
    WITH .068" HEX DIE  
 C. CRIMP FERRULE WITH .429" HEX

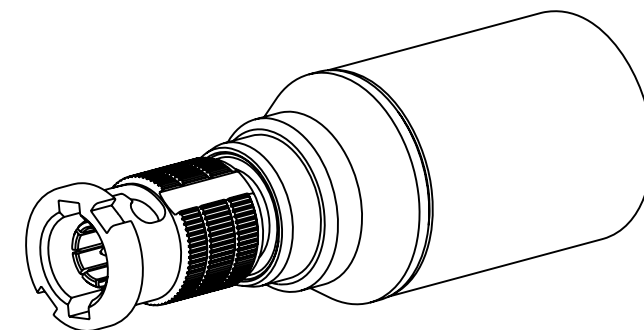
7 SHOWS CABLE ENTRY DIMENSIONS

THIRD ANGLE PROJ.

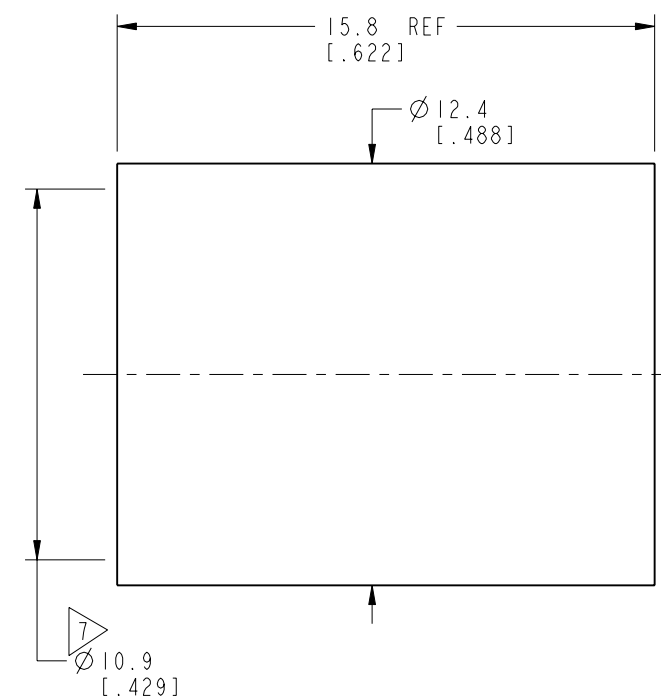
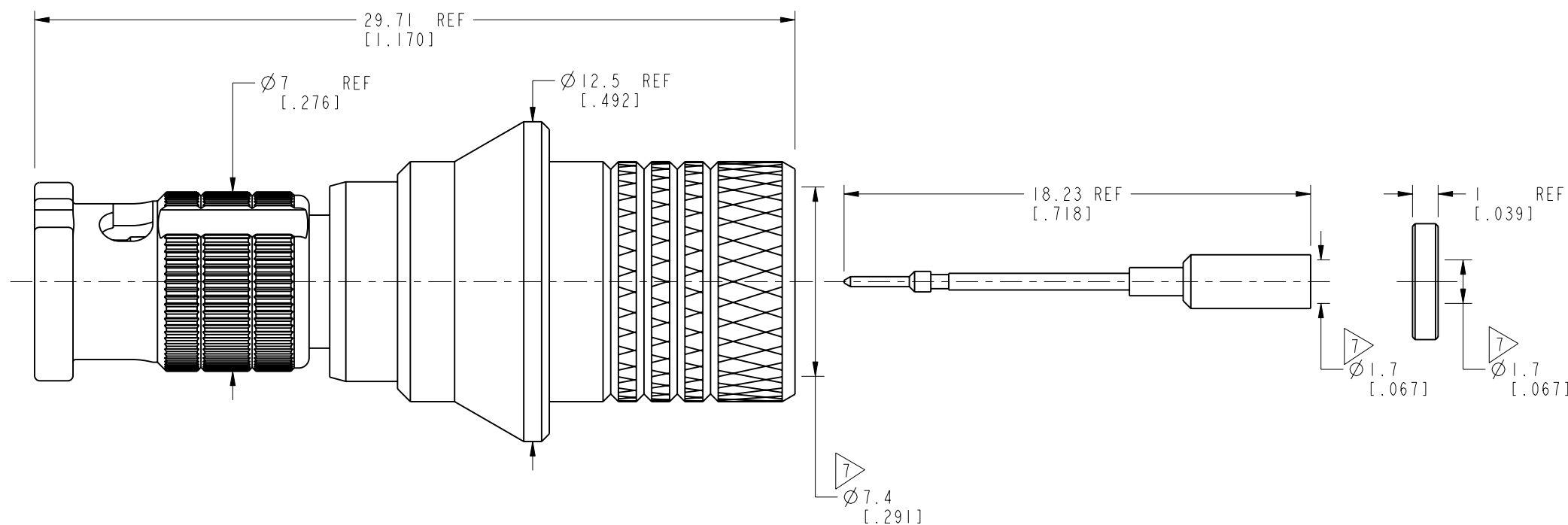
REVISIONS				
REV	DESCRIPTION	DATE	ECN	APPR
A	RELEASE TO MANUFACTURING	12-Dec-18	09941	CJV



RECOMMENDED CABLE STRIPPING DIMENSIONS



SCALE 2.500



**CUSTOMER OUTLINE DRAWING**

ALL OTHER SHEETS ARE FOR INTERNAL USE ONLY

UNLESS OTHERWISE SPECIFIED, DIMENSIONS ARE IN METRIC AND TOLERANCES ARE: <0.5mm ±0.05mm    0.5 - 6mm ±0.1mm    6 - 30mm ±0.2mm    30 - 120mm ±0.3mm    ANGLES ±1°	MATERIAL	DRAWN	DATE	TITLE		<b>Amphenol RF</b> www.amphenolrf.com
	SEE NOTES	W. ZENG	13-Dec-18	HD-BNC STR PLUG FOR BELDEN 4731R & 4731P CABLE		
NOTICE - These drawings, specifications, or other data (1) are, and remain the property of Amphenol corp. (2) must be returned upon request; and (3) are confidential and not to be disclosed to any person other than those to whom they are given by Amphenol Corp. the furnishing of these drawings, specifications, or other data by Amphenol Corp., or to any other person to anyone for any purpose is not to be regarded by implication or otherwise in any manner licensing, granting rights to permitting such holder or any other person to manufacture, use or sell any product, process or design, patented or otherwise, that may in any way be related to or disclosed by said drawings, specifications, or other data.	REFERENCE	ENGINEER	DATE	SCALE: 4.5:1.0 SHEET 2 OF 2		DRAWING NO. 34-1132-12G
	EAR# 8542	S. DUAN	18-Dec-18	DWG SIZE B		ITEM NO. 34-1132-12G
	REF:	APPROVED	S. HSIEH	DATE	REV A	PART NO. 34-1132-12G
CONFIGURATION LEVEL: In Work	FINISH	CAD FILE	18-Dec-18			