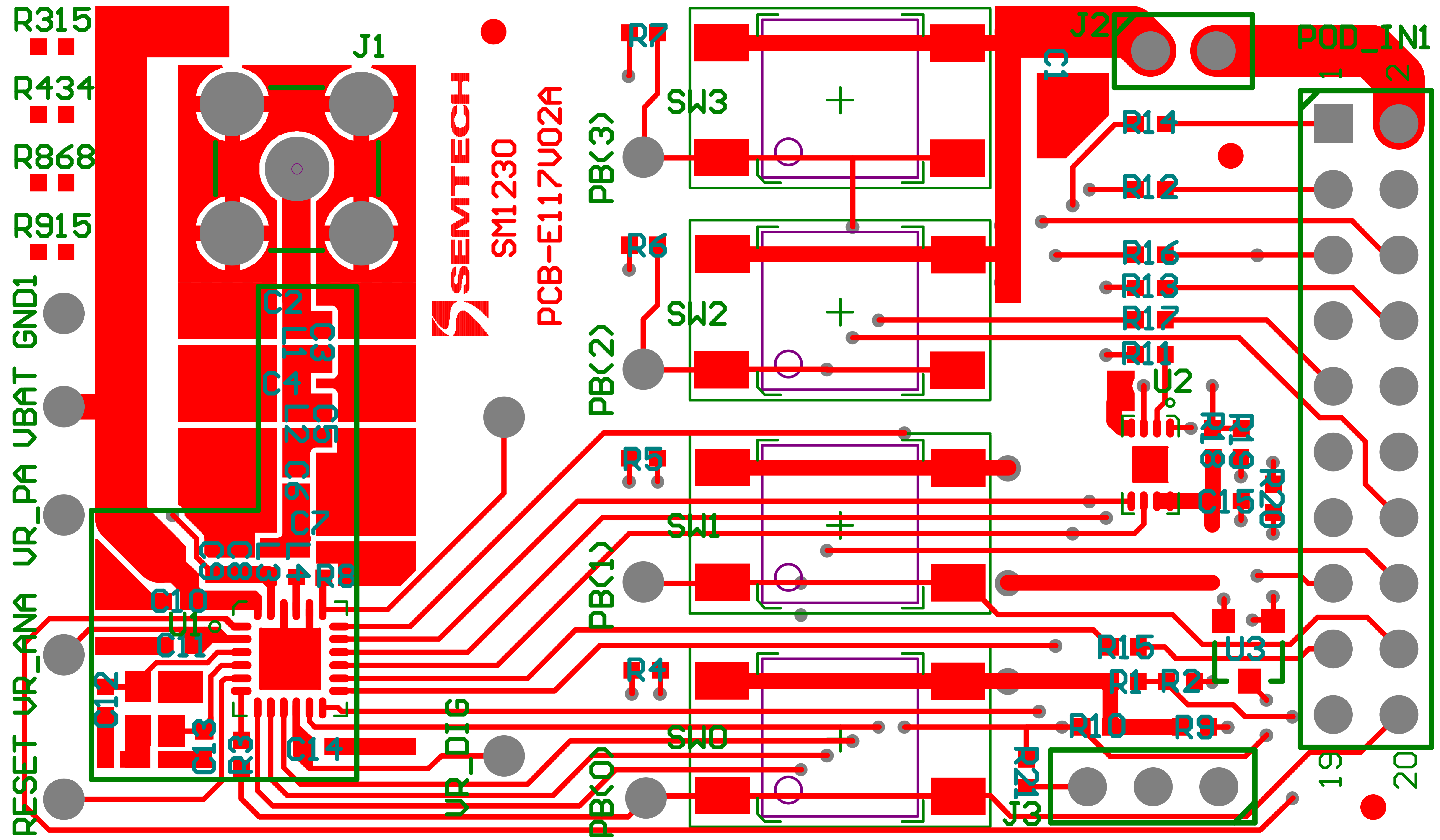


Title		
SEMTECH - SX1230 Evaluation Board		
Size	Number	Revision
A4	PCB_E117V02A	V2a
Date:	16.07.2009	Sheet of
File:	\\.\pcb_e117v02a.SchDoc	Drawn By: JDs (Modified by EMr)



SEMITECH

SM1230

PCB-E117V02A

RESET VR_ANA VR_PA UBAT GND1

VR_DIG

PB<0>

PB<1>

PB<2>

PB<3>

J2

POD_IN1

19

20

R315
R434
R868
R915

C12
C10
C11
C13
R3
C14
C1
C2
C3
C4
C5
C6
C7
C8
C9

R7
R6
R5
R4

SW3
SW2
SW1
SW0

C1

R14
R12
R16
R13
R17
R11

U2

R18
R19
R20

R15
R1
R2

U3

R10
R9

J3