

Description : SP8T 18GHz SMA LATCHING 12V SWITCH  
 Options : INDICATOR / POSITIVE COMMON / SUPP. DIODES

Issue 12.12.12  
 Page 1/2

## RF CHARACTERISTICS

Number of ways : 8  
 Frequency range : 0 - 18 GHz  
 Impedance : 50 Ohms

Frequency (GHz)	0 - 3	3 - 8	8 - 12.4	12.4 - 16	16 - 18
VSWR max	1.20	1.30	1.40	1.50	1.60
Insertion loss max	0.20 dB	0.30 dB	0.40 dB	0.55 dB	0.60 dB
Isolation min	80 dB	70 dB	60 dB	60 dB	60 dB
Average power (*)	240 W	150 W	120 W	110 W	100 W

## ELECTRICAL CHARACTERISTICS

Actuator : LATCHING  
 Nominal current \*\* : 320 mA / RESET : 2560 mA \*\*\*\*  
 Actuator voltage (Vcc) : 12V (10.2 to 13V) / POSITIVE COMMON  
 Terminals : solder pins (250°C max. / 30 sec.)  
 Indicator rating : 1 W / 30 V / 100 mA

## MECHANICAL CHARACTERISTICS

Connectors : SMA female per MIL-C 39012  
 Life : 2.000.000 cycles per position  
 Switching Time\*\*\* : < 15 ms  
 Construction : Splashproof  
 Weight : < 280 g

## ENVIRONMENTAL CHARACTERISTICS

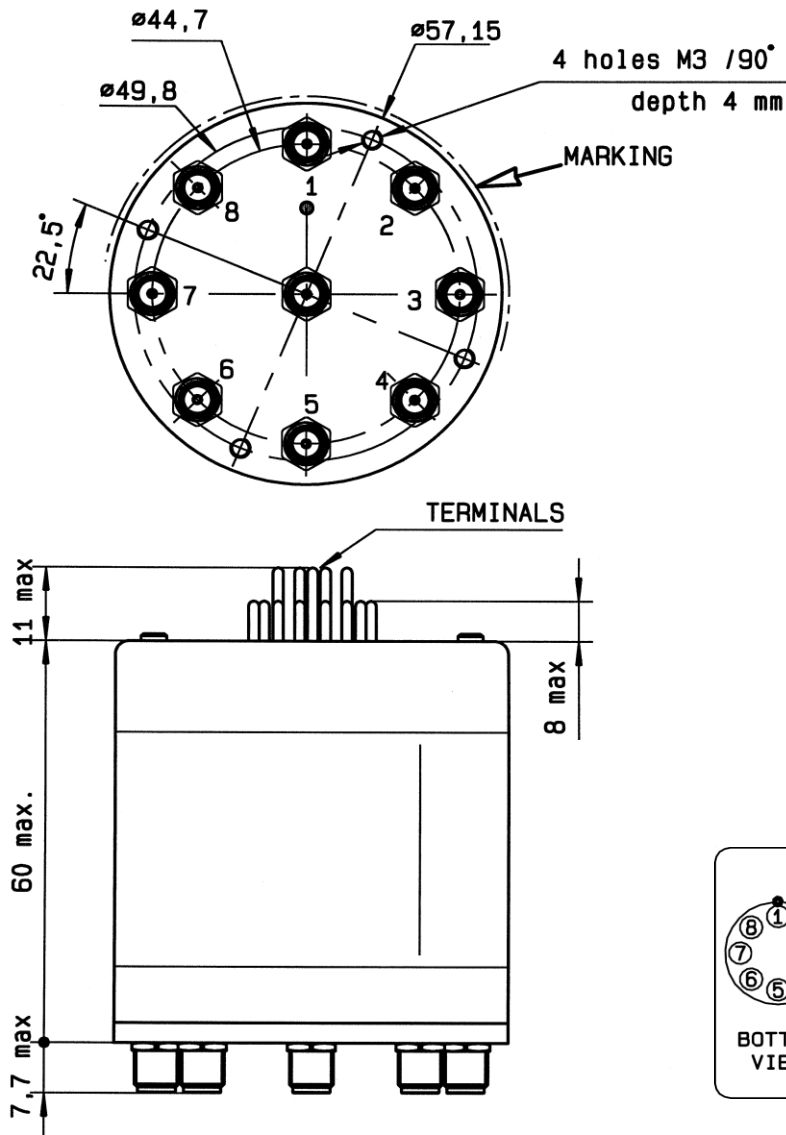
Operating temperature range : -40°C to +85°C  
 Storage temperature range : -55°C to +85°C



(\* Average power at 25°C per RF Path)  
 (\*\* At 25° C ±10%)  
 (\*\*\*) Nominal voltage ; 25° C)  
 (\*\*\*\* Reset : supply voltage time 1sec. max. / duty cycle 10%)

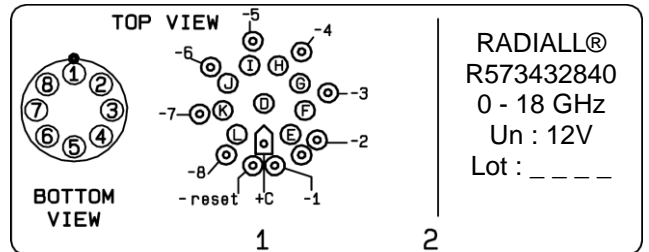
This information is given as an indication. In order to improve our products, we reserve the right to make any modifications judged necessary

**DRAWING**



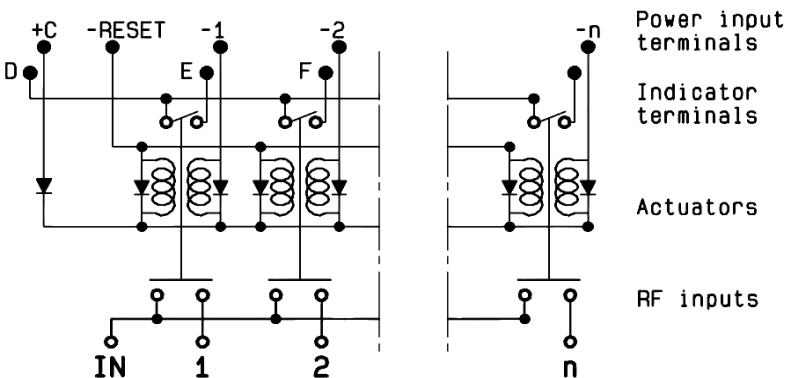
Voltage	RF Continuity	Ind.
+C -RESET	All ports open	- -
+C -1	IN ↔ 1	D.E
+C -2	IN ↔ 2	D.F
+C -3	IN ↔ 3	D.G
+C -4	IN ↔ 4	D.H
+C -5	IN ↔ 5	D.I
+C -6	IN ↔ 6	D.J
+C -7	IN ↔ 7	D.K
+C -8	IN ↔ 8	D.L

**LABEL**



General tolerances :  $\pm 0.5$  mm

**SCHEMATIC DIAGRAM**



This information is given as an indication. In order to improve our products, we reserve the right to make any modifications judged necessary