

DO NOT SCALE FROM THIS PRINT

PATENT PENDING

LPAM-XX-XX.X-X-XX-X-K-TR

No. OF POSITIONS
-10, -20, -30, -40, **50
(PER ROW)

PACKAGING
-TR: TAPE & REEL
(SEE NOTES 4, 5 & 7)

LEAD STYLE
-01.0: 1.0mm
-01.5: 1.5mm

OPTIONS
-K: POLYIMIDE PAD
(SEE SHT 3, FIG. 3)

PLATING SPECIFICATION
-L: 10µ" GOLD IN CONTACT AREA, MATTE TIN ON TAIL
-S: 30µ" GOLD IN CONTACT AREA, MATTE TIN ON TAIL

SOLDER COMPOSITION & STYLE

ROW
-04: 4 ROWS
-06: 6 ROWS
-08: 8 ROWS
*-10: 10 ROWS

(* = NOT TOOLED)
(** = NOT TOOLED FOR 04, 06 & 10 ROWS)

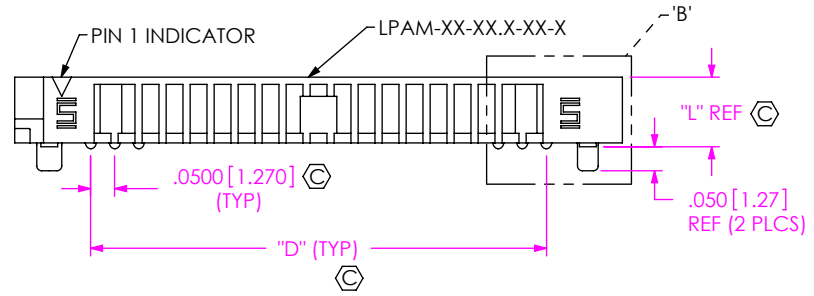
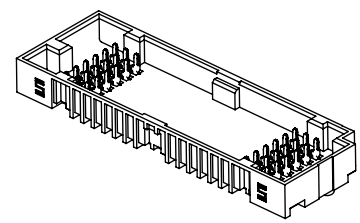
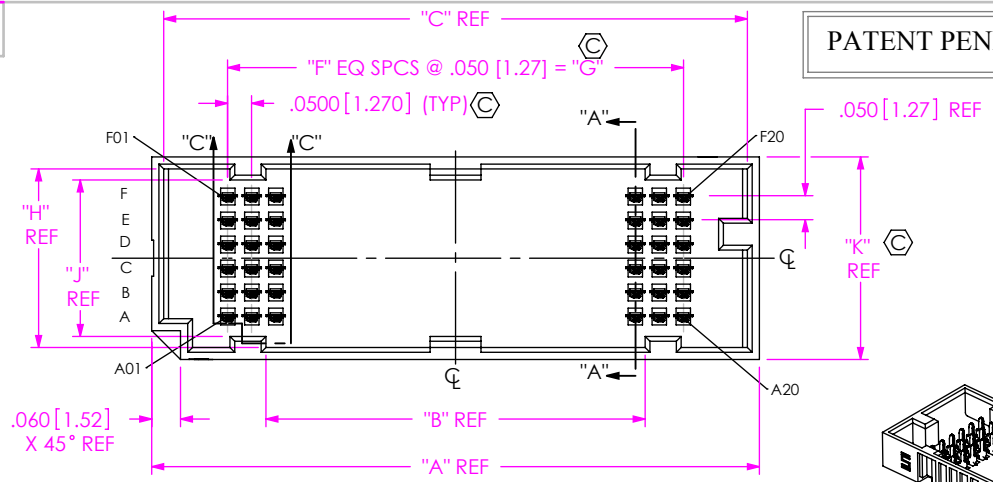


TABLE 5

-LEAD STYLE	"L"	"M"	"V"
-01.0	0.145 [3.68]	0.043 [1.09]	0.007 [0.18]
-01.5	0.165 [4.19]	0.063 [1.60]	0.017 [0.43]

TABLE 4

-No. OF ROWS	"H"	"J"	"K"
-04	0.272 [6.91]	0.226 [5.74]	0.322 [8.18]
-06	0.372 [9.45]	0.326 [8.28]	0.422 [10.72]
-08	0.472 [11.99]	0.426 [10.82]	0.522 [13.26]
*-10	0.572 [14.53]	0.526 [13.36]	0.622 [15.80]

*= NOT TOOLED

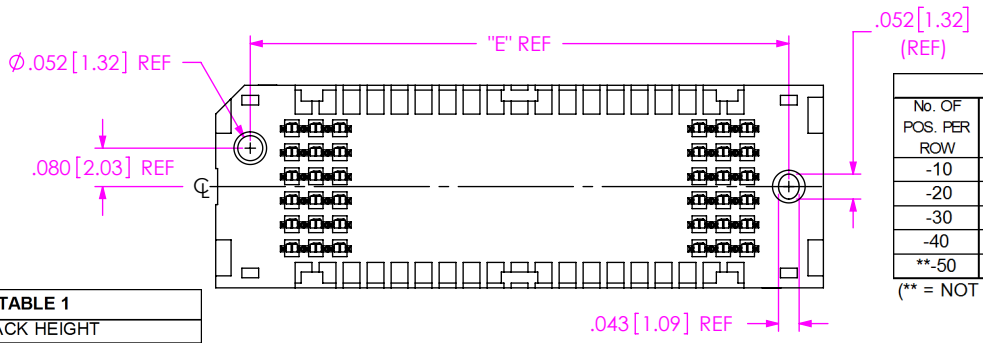


TABLE 3

No. OF POS. PER ROW	"A"	"B"	"C"	"D"	"E"	"F"	"G"
-10	0.766 [19.46]	0.290 [7.37]	0.716 [18.19]	0.450 [11.43]	0.622 [15.80]	9	0.450 [11.43]
-20	1.266 [32.16]	0.790 [20.07]	1.216 [30.89]	0.950 [24.13]	1.122 [28.50]	19	0.950 [24.13]
-30	1.766 [44.86]	1.290 [32.77]	1.716 [43.59]	1.450 [36.83]	1.622 [41.20]	29	1.450 [36.83]
-40	2.266 [57.56]	1.790 [45.47]	2.216 [56.29]	1.950 [49.53]	2.122 [53.90]	39	1.950 [49.53]
**50	2.766 [70.26]	2.290 [58.17]	2.716 [68.99]	2.450 [62.23]	2.622 [66.60]	49	2.450 [62.23]

(** = NOT TOOLED FOR 04, 06 & 10 ROWS)

TABLE 1
STACK HEIGHT

LPAM LEAD STYLE	LPAF LEAD STYLE	
	-03.0	-03.5
-01.0	.157 [4.00]	.177 [4.50]
-01.5	.177 [4.50]	.197 [5.00]

FIG 1
LPAM-20-01.0-X-06-2-K-TR SHOWN
(SOME CENTER FEATURES REMOVED FOR CLARITY)

TABLE 2

LPAM ASSY	BODY CALLOUT	TERMINAL SUB ASSY
LPAM-XX-01.0-X-XX-X-TR	LPAM-XX-01.0-XX-X	SUB-T-1M78-01.0-X-X
LPAM-XX-01.5-X-XX-X-TR	LPAM-XX-01.5-XX-X	SUB-T-1M78-01.5-X-X

NOTES:

- ⊗ REPRESENTS A CRITICAL DIMENSION.
- PUSH OUT FORCE .25LBS [1.11N].
- DIMENSION TO BE MEASURED IN ALL FOUR CORNERS.
- TAPE & REEL WILL BE SUPPLIED WHETHER OR NOT -TR IS SPECIFIED.
- FOR QUANTITIES UP TO 49 PCS., NO LEADER, TRAILER OR REEL WILL BE SUPPLIED. FOR 50-124 PIECES, NO LEADER OR TRAILER WILL BE SUPPLIED.
- NOTE DELETED.
- ATTACH LABEL "SEAX-0001" TO EACH TAPE & REEL PACKAGE.
- ⊗ MAXIMUM VARIATION BETWEEN ROWS: .003[0.08]. TO BE MEASURED AT FIRST AND LAST POSITIONS ONLY, ALL ROWS.

UNLESS OTHERWISE SPECIFIED, DIMENSIONS ARE IN INCHES.

TOLERANCES ARE:
DECIMALS ANGLES
.XX: ±.01[0.3] 2°
.XXX: ±.005[0.13]
.XXXX: ±.0020[0.051]

PROPRIETARY NOTE
THIS DOCUMENT CONTAINS CONFIDENTIAL AND PROPRIETARY INFORMATION AND ALL DESIGN, MANUFACTURING, REPRODUCTION, USE, PATENT RIGHTS AND SALES RIGHTS ARE EXPRESSLY RESERVED BY SAMTEC, INC. THIS DOCUMENT SHALL NOT BE DISCLOSED, IN WHOLE OR PART, TO ANY UNAUTHORIZED PERSON OR ENTITY NOR REPRODUCED, TRANSFERRED OR INCORPORATED IN ANY OTHER PROJECT IN ANY MANNER WITHOUT THE EXPRESS WRITTEN CONSENT OF SAMTEC, INC.

MATERIAL: DO NOT SCALE DRAWING SHEET SCALE: 1:0.4
INSULATOR: LCP, COLOR: BLACK
TERMINAL: COPPER ALLOY

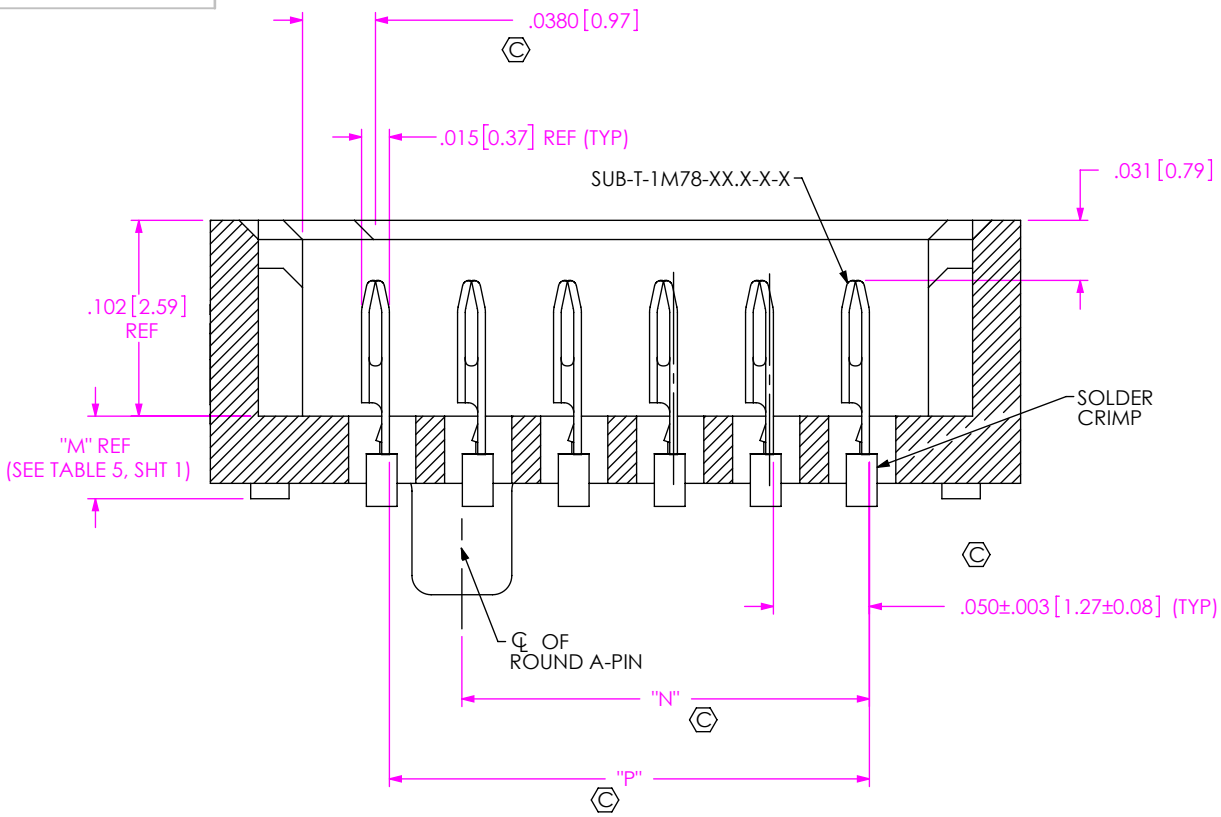


520 PARK EAST BLVD, NEW ALBANY, IN 47150
PHONE: 812-944-6733 FAX: 812-948-5047
e-Mail info@SAMTEC.com code 55322

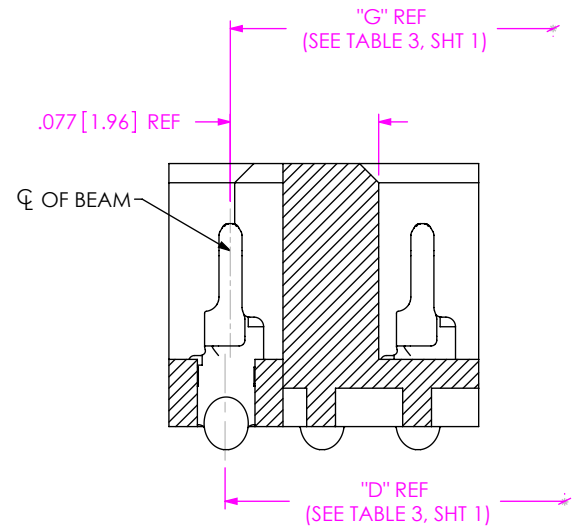
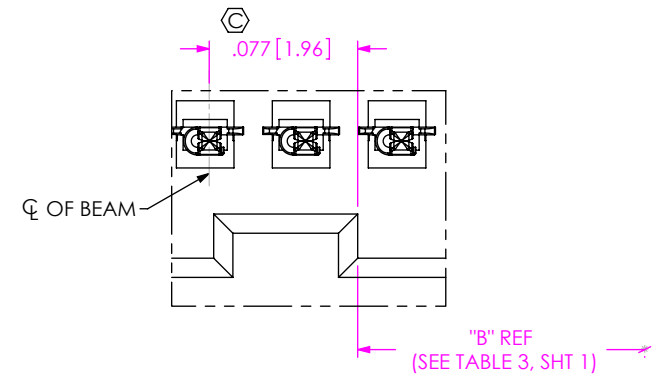
DESCRIPTION:
LPAM TERMINAL ARRAY ASM

DWG. NO.
LPAM-XX-XX.X-X-XX-X-K-TR

BY: KNOWLDEN 06/09/2009 SHEET 1 OF 3



SECTION "A"-"A"
SCALE 10 : 1



SECTION "C"-"C"
SCALE 10 : 1

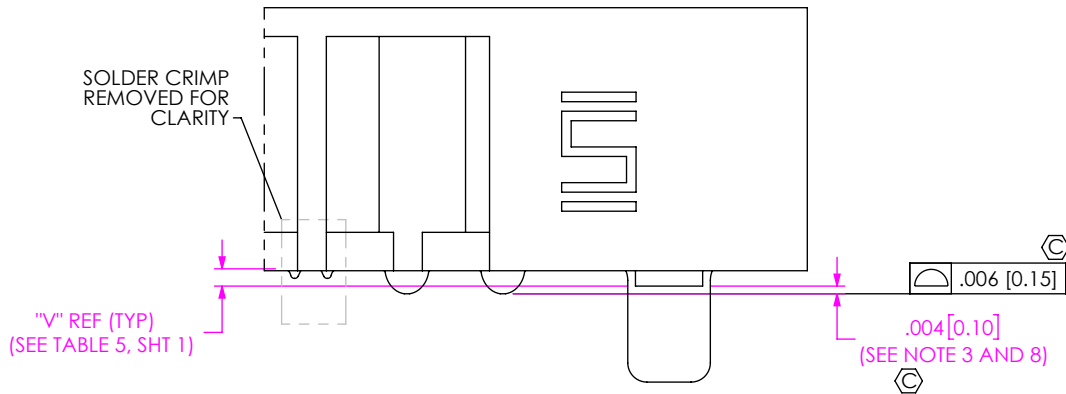


TABLE 6

-No. OF ROWS	"N"	"P"
-04	0.162 [4.11]	0.150 [3.81]
-06	0.212 [5.38]	0.250 [6.35]
-08	0.262 [6.65]	0.350 [8.89]
*-10	0.312 [7.92]	0.450 [11.43]

*= NOT TOOLED

PROPRIETARY NOTE
THIS DOCUMENT CONTAINS CONFIDENTIAL AND PROPRIETARY INFORMATION AND ALL DESIGN, MANUFACTURING, REPRODUCTION, USE, PATENT RIGHTS AND SALES RIGHTS ARE EXPRESSLY RESERVED BY SAMTEC, INC. THIS DOCUMENT SHALL NOT BE DISCLOSED, IN WHOLE OR PART, TO ANY UNAUTHORIZED PERSON OR ENTITY NOR REPRODUCED, TRANSFERRED OR INCORPORATED IN ANY OTHER PROJECT IN ANY MANNER WITHOUT THE EXPRESS WRITTEN CONSENT OF SAMTEC, INC.



520 PARK EAST BLVD, NEW ALBANY, IN 47150
PHONE: 812-944-6733 FAX: 812-948-5047
e-Mail: info@SAMTEC.com code 55322

DO NOT SCALE DRAWING

DETAIL 'B'
SCALE 10 : 1 SHEET SCALE: 2:1

DESCRIPTION:
LPAM TERMINAL ARRAY ASM
DWG. NO.
LPAM-XX-XX.X-X-XX-X-K-TR
BY: KNOWLDEN 06/09/2009 SHEET 2 OF 3

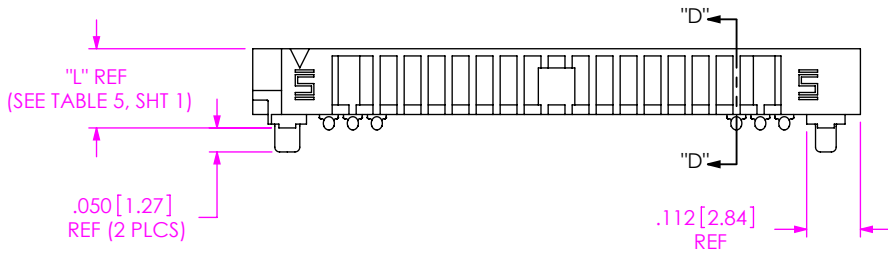
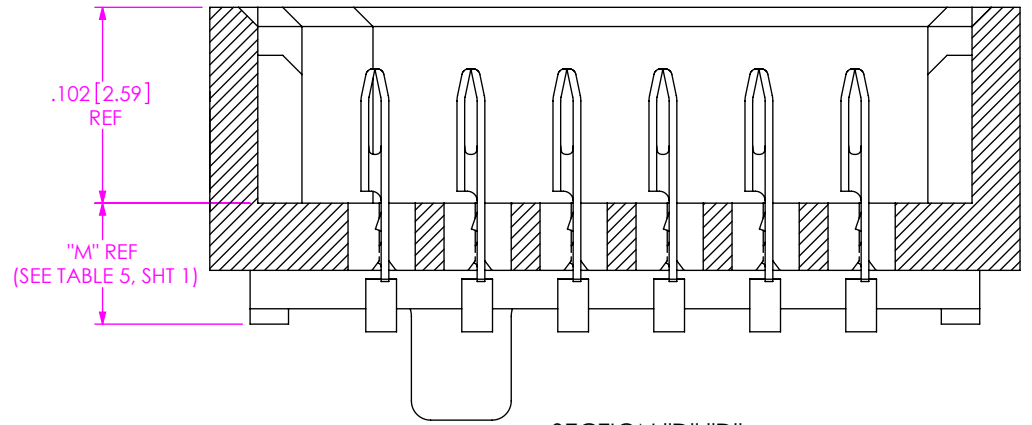


FIG 2
LPAM-20-01.5-X-06-2-K-TR SHOWN
(SOME CENTER FEATURES REMOVED FOR CLARITY)



SECTION "D"-"D"
SCALE 10:1

TABLE 7

ROWS	DOT APPLICATOR POLYIMIDE TAPE CALLOUT	"R"	"S"	"T"				
				10 POS.	20 POS.	30 POS.	*40 POS.	*50 POS.
-04	K-DOT-.354-.469-.005	0.354 [8.99]	0.016 [0.41]	0.206 [5.23]	0.456 [11.58]	0.706 [17.93]	0.956 [24.28]	1.206 [30.63]
-06	K-DOT-.460-.550-.005	0.460 [11.68]	0.019 [0.48]	0.153 [3.89]	0.403 [10.24]	0.653 [16.59]	0.903 [22.94]	1.153 [29.29]
-08	K-DOT-.551-.625-.010	0.551 [14.00]	0.015 [0.37]	0.108 [2.74]	0.358 [9.09]	0.608 [15.44]	0.858 [21.79]	1.108 [28.14]
*-10	K-DOT-.649-.750-.005	0.649 [16.48]	0.014 [0.34]	0.059 [1.50]	0.309 [7.85]	0.559 [14.20]	0.809 [20.55]	1.059 [26.90]

*= NOT TOOLED

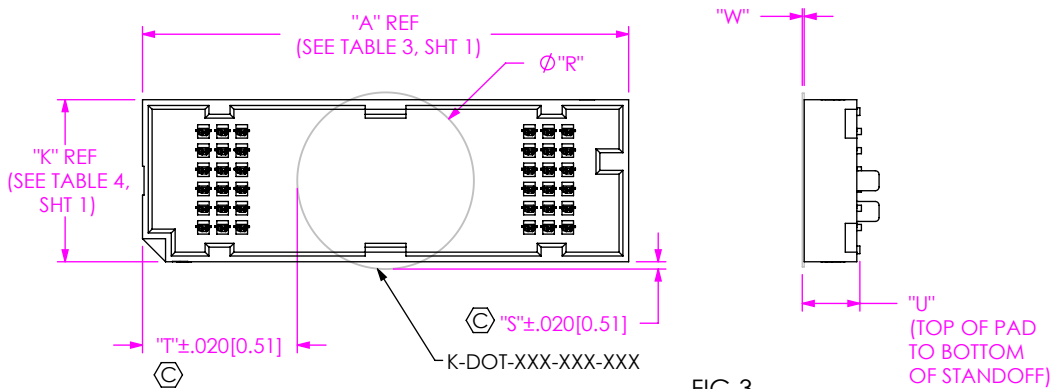


FIG 3
-K POLYIMIDE PAD
(USE K-DOT-XXX-XXX-XXX)
LPAM-20-01.0-X-06-2-K-TR SHOWN
(SOME CENTER FEATURES REMOVED FOR CLARITY)

TABLE 8

ROW	"U"		"W"
	LEAD STYLE		
	-1.0	-1.5	
-04	.150 [3.81]	.170 [4.32]	.005 [0.13]
-06	.150 [3.81]	.170 [4.32]	.005 [0.13]
-08	.155 [3.94]	.175 [4.45]	.010 [0.25]
*-10	.150 [3.81]	.170 [4.32]	.005 [0.13]

(* = NOT TOOLED)

PROPRIETARY NOTE
THIS DOCUMENT CONTAINS CONFIDENTIAL AND PROPRIETARY INFORMATION AND ALL DESIGN, MANUFACTURING, REPRODUCTION, USE, PATENT RIGHTS AND SALES RIGHTS ARE EXPRESSLY RESERVED BY SAMTEC, INC. THIS DOCUMENT SHALL NOT BE DISCLOSED, IN WHOLE OR PART, TO ANY UNAUTHORIZED PERSON OR ENTITY NOR REPRODUCED, TRANSFERRED OR INCORPORATED IN ANY OTHER PROJECT IN ANY MANNER WITHOUT THE EXPRESS WRITTEN CONSENT OF SAMTEC, INC.

DO NOT SCALE DRAWING

SHEET SCALE: 2:1



520 PARK EAST BLVD, NEW ALBANY, IN 47150
PHONE: 812-944-6733 FAX: 812-948-5047
e-Mail: info@SAMTEC.com code 55322

DESCRIPTION:
LPAM TERMINAL ARRAY ASM

DWG. NO.
LPAM-XX-XX.X-X-XX-X-K-TR

BY: KNOWLDEN 06/09/2009 SHEET 3 OF 3