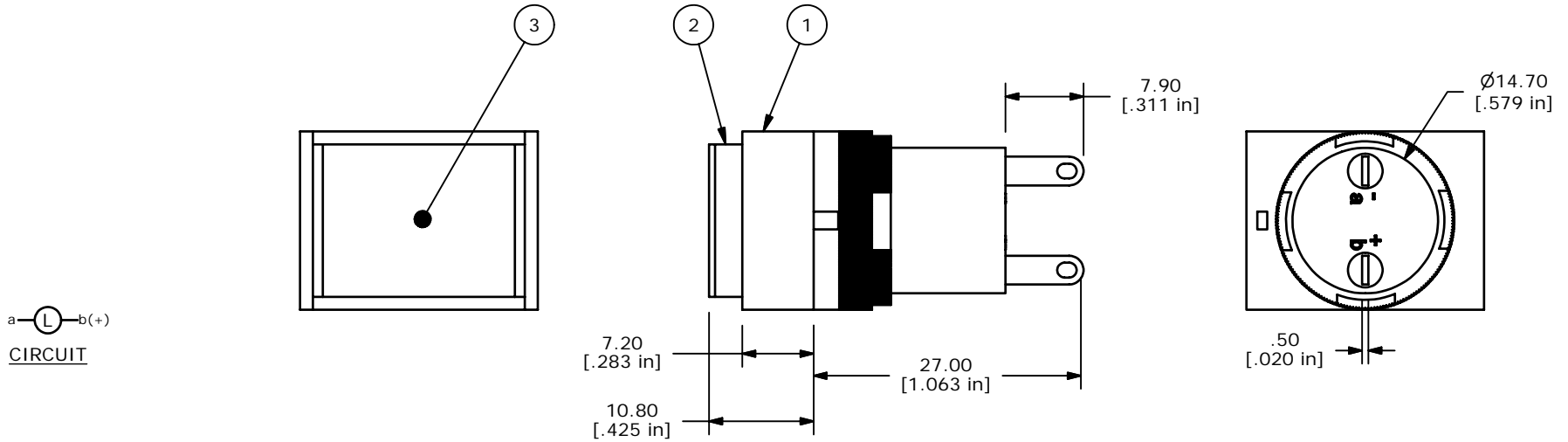


| PARTS LIST | | | |
|------------|-----|-------------|--|
| ITEM | QTY | PART NUMBER | DESCRIPTION |
| 1 | 1 | F040001 | L16PLT10 |
| 2 | 1 | F050202 | 50-002-02 RECTANGULAR CONCAVE GREEN LENS |
| 3 | 1 | F050416 | 50-004-16 6V GREEN LED |



- NOTE:
1. ALL DIMENSIONS IN MM [INCH]
 2. GENERAL TOLERANCE: X.X=±0.4
X.XX=±0.25
 3. TERMINAL NUMBERS FOR REF ONLY
 4. OPERATING TEMP: -25°C to +55°C
 5. STORAGE TEMP: -40°C TO +85°C
 - ▲ 6. LAMP VOLTAGE: 6VDC LED
 7. ▲ DENOTES CRITICAL PARAMETER.
 8. 2002/95/EC (ROHS) COMPLIANT

E-SWITCH®

| | | | | |
|-----|--------|-------------------------|---------|----|
| A | 16147 | RELEASED FOR PRODUCTION | 6/15/06 | CT |
| REV | PCR NO | DESCRIPTION | DATE | BY |

| | | | | |
|-----------------------|-----------|----|---------|-----|
| TITLE L16PLT10HGRNGRN | | | | |
| SCALE | DATE | DR | DWG | REV |
| 1.5:1 | 6/15/2006 | CT | XF0679P | A |

THE INFORMATION CONTAINED IN THIS DOCUMENT IS PROPRIETARY TO E-SWITCH AND IS NOT TO BE COPIED OR TRANSFERRED