

6

5

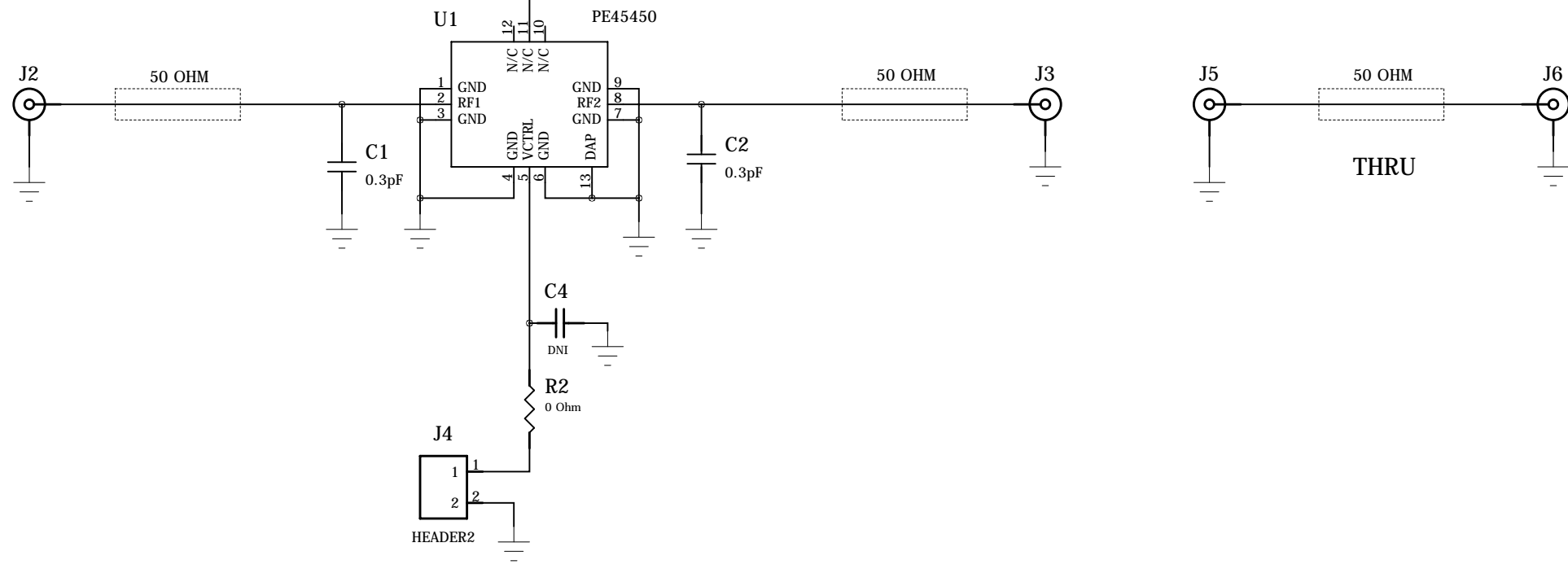
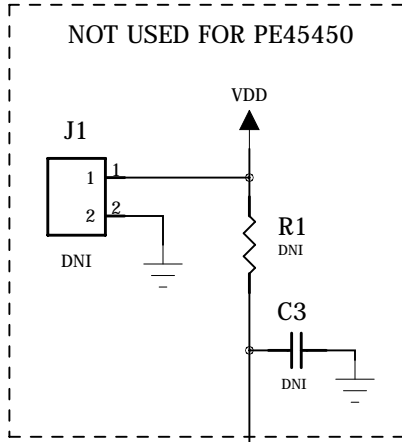
4

3

2

1

REVISION RECORD			
LTR	ECO NO:	APPROVED:	DATE:



NOTES:

- 1. CAUTION:
CONTAINS PARTS AND ASSEMBLIES SUSCEPTIBLE
TO DAMAGE BY ELECTROSTATIC DISCHARGE (ESD)

PEREGRINE SEMICONDUCTOR
9380 Carroll Park Drive
San Diego, CA 92121

TITLE:
SCHEMATIC, PE45450 EVK

DRAWN: R. PROAL	DATED: 02-12-14
CHECKED: H. JU	DATED: 02-12-14
QUALITY CONTROL:	DATED:
RELEASED:	DATED:

CODE: 5BMR7	SIZE: B	DRAWING NO: DOC-44327	REV: 03
-----------------------	-------------------	---------------------------------	-------------------

Item	Qty	Reference	Description	Value	Manufacturer	Manufacturer Part Number	Distributor	Distributor Part Number	Notes
1	4	J2-3 J5-6	CONN SMA JACK 50 OHM EDGE MNT		Emerson Johnson	142-0771-831	Digi-Key	J808-ND	
2	2	C1-2	CAP CER 0.3PF 50V NP0 0402	0.3pF	Murata	GJM1555C1HR30BB01D	Digi-Key	490-3079-1-ND	
3	2	C3-4	CAP 0402 DNI	DNI					DNI
4	1	J4	CONN HDR 2POS 2.54MM SDR THRU		Samtec Inc	TSW-102-25-T-S	Digi-Key	TSW-102-25-T-S-ND	
5	1	J1	CONN HDR 2POS 2.54MM SDR THRU DNI	DNI	Samtec Inc	TSW-102-25-T-S	Digi-Key	TSW-102-25-T-S-ND	DNI
6	1	U1	IC PE45450		Peregrine Semiconductor	PE45450			
7	1	R2	RES 0.0 OHM 1/16W JUMP 0402 SMD	0 Ohm	Vishay Dale	CRCW04020000Z0ED	Digi-Key	541-0.0JCT-ND	
8	1	R1	RES 0402 DNI	DNI					DNI
9	1		PCB, LIMITER 3X3 12L DAP 2.2 V1		Peregrine Semiconductor	PRT-51452-02			