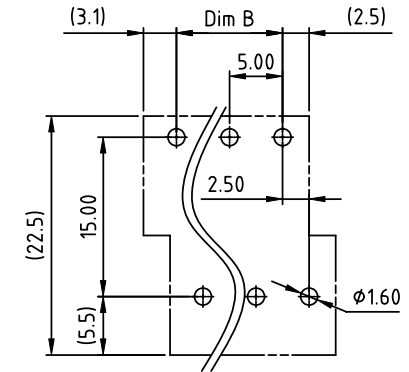
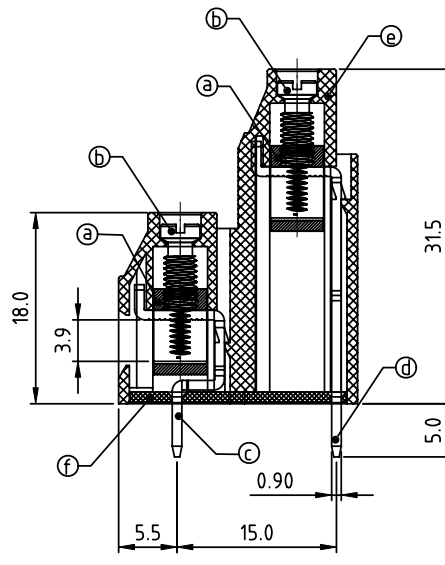
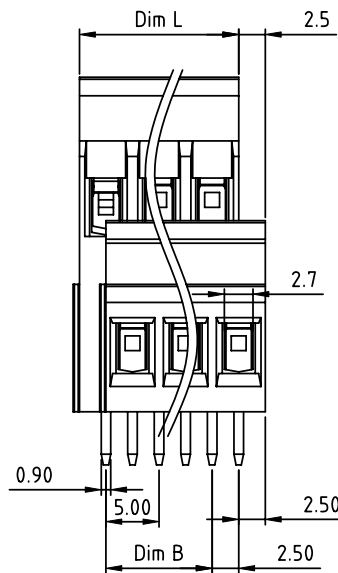
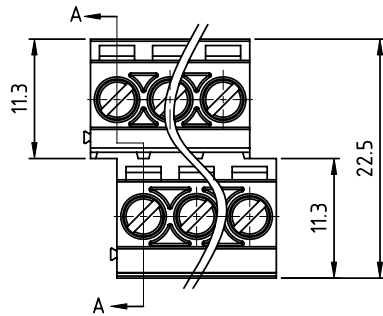


PRODUCT NUMBER	PITCH
EBxx01x000J0G	5.00 mm



RECOMMENDED P.C.B LAYOUT
TOP VIEW

Material

- Item (a) Clamp: Brass, Ni plated
- Item (b) Terminal screw: Steel Zinc plating "-" slot type
- Item (c) Solder pin1: Brass, Tin plated
- Item (d) Solder pin2: Brass, Tin plated
- Item (e) Terminal housing: Thermoplastic (UL94V-0)
- Item (f) Terminal cover: Thermoplastic (UL94V-0)

Electrical cULus

- Voltage rating: 300VAC
- Current rating: 20A
- Wire range:
- Solid wire(AWG): 12-22
- Stranded wire(AWG): 12-22
- Torque(Lb-In): 4.3
- Screw: M3
- Wire strip length: 6-7mm
- Withstanding Voltage: 1.6KV
- Operating temperature: -40°C to +115°C
- Soldering temperature: 260°C±5°C/5 Sec
- Safety Approval: cULus

DIMENSION

Dim L	N/2x5.0
Dim B	(N/2-1)x5.0

N=Number of poles

Poles	Tolerance
2x2p~2x6p	±0.15
2x7p~2x12p	±0.20
2x13p~2x18p	±0.25
2x19p~2x24p	±0.30

PART NO.: EB xx 0 1 x 0 00J0 G

End stackable	0	Color	Black (RAL9005)	RoHS compliant	(lead<4%)
No. of poles	2		Red (RAL3001/D)	In copper Alloy	
	04	2x2 poles	3 Orange(RAL2011/P)		
	06	2x3 poles	4 Yellow(RAL1018/A)		
	5 Green(RAL6018/T)		
	48	2x24 poles	6 Blue (RAL5015/A)		
			8 Grey(RAL7035/D)		
			9 White(RAL1102)		
			C Green(RAL6018/U)		

mat'l. code				surface ASME Y14.5	tolerance ASME Y14.5	projection	product family TERMINAL BLOCK
ltr	ecn no	dr	date	tolerances unless otherwise specified		MM	title TERMINAL BLOCK
				angles	X.±0.5		RISING CLAMP,180D WIRE INLET,END STACKABLE,INTERLACE
				X*±1°	X.X±0.3	scale	dwg no EBxx01x000J0G
				dr	EVIN ZHONG 041114	FCI	sheet 1 of 1 size A4
				engr	EVIN ZHONG 041114		CUSTOMER Drawing
				chr	HANKE FENG 041114		
				appd	SHI JUN 041114		
sheet index	revision	A					
	sheet	1					