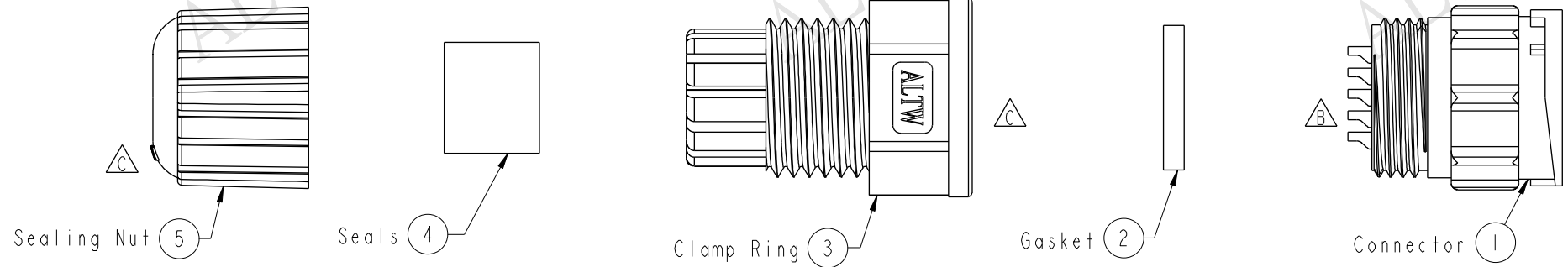


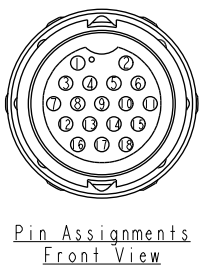
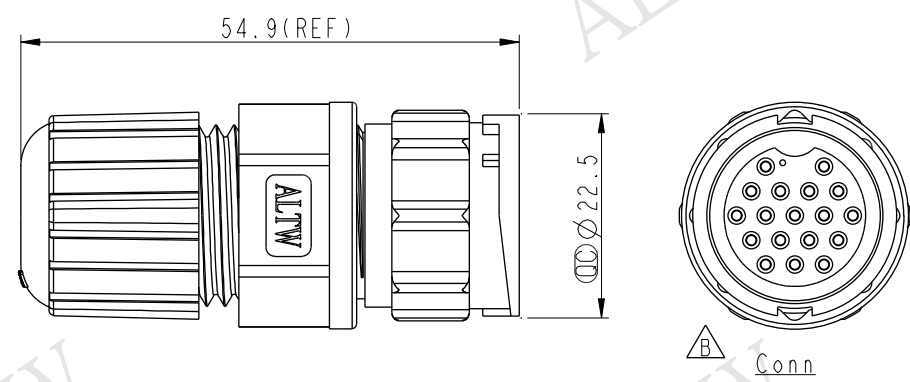
THIS DOCUMENT IS SUBJECT TO CHANGE WITHOUT NOTICE. IT IS CONFIDENTIAL AND A PROPERTY OF Amphenol LTW. DISCLOSURE TO THIRD PARTY HAS TO BE AUTHORIZED BY Amphenol LTW.

REV.	ECN NO.	DATE	SIGN	DESCRIPTION
B	LEN-0C0607	2010/11/26	Ivan	Change View
C	LEN1530199	2014/12/19	Ruru	Change Logo



**ALTW**  
 CONFIDENTIAL  
 2014-12-19  
 R&D DEPT.

**ALTW**  
 DCC. DEPT.  
 CONFIDENTIAL  
 2015.03.17  
 ISSUED



- Note:
- \*  $\varnothing$  Important Dimension To Check.
  - \* Waterproof Rate: IP67
  - \* Housing: Nylon+GF, Black
  - \* Female Pin: Copper Alloy, Gold Plated
  - \* Gasket: Silicone, Black
  - \* Clamp Ring: Nylon+GF, Black
  - \* Sealing Nut: EPDM, Black
  - \* Seal: EPDM, Black
  - \* Seal For Cable OD:  $\varnothing$  5.5mm~10.8mm

UNIT:mm TOLERANCE .X ±0.25 .XX ±0.1 .XXX ±0.05 ANGLES ±1°	TITLE Assy Lock 18Pin M Conn F Pin			ITEM NO DD-18BMFA-LL7001		DRAWN BY Ruru		DATE 2014/12/19		
	SCALE 1:1		SIZE A4		DWG NO DD-18BMFA-LL7001		CHECKED BY Rita		DATE 2014/12/19	
	REV. C		WC-REV. B.1		CUSTOMER ALTW		APPROVED BY Win		DATE 2014/12/19	

**Amphenol LTW**  
 安費諾亮泰企業股份有限公司

$\varnothing$ : Inspection item