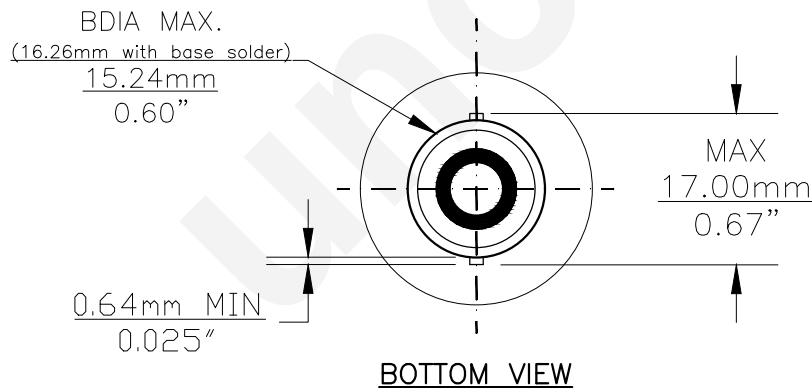
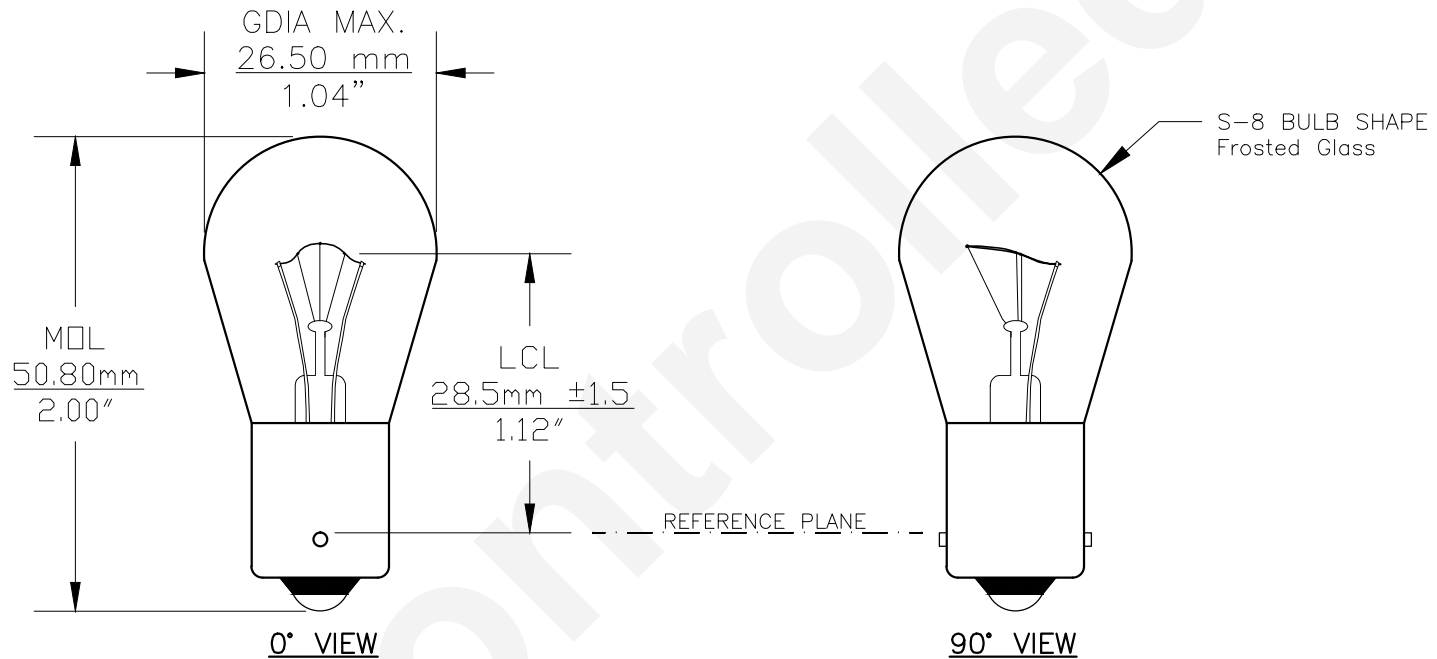




PART NO.	BASE TYPE	DESIGN VOLTS	DESIGN AMPS	MSCD	FILAMENT TYPE	AVERAGE LIFE HOURS	REVISIONS			
							REV #	DESCRIPTION	DATE	APPROVED
CE7	S.C. Bayonet (BA15s) (Nickel)	48.0V	0.50	--	C-5A	300	1	REDRAWN, ADDED 90° AND BOTTOM VIEWS	04/28/2016	R.M.



UNLESS OTHERWISE SPECIFIED: DIMENSIONS ARE IN INCHES TOLERANCES		CEC INDUSTRIES LTD			
DECIMALS .XX ± .05		FSCM NO.		DWG NO.	
ANGULAR .XXX ± .010		A		CE7	
FRACTIONAL ±1/64		SCALE		PLOT SCALE	
DRAWN D. C.		DATE 12/27/2004		TITLE LIGHT BULB NO. CE7	
CHECKED		SCALE		SHEET 1 OF 1	
DESIGN		FILE CE7.pdf		DRAWING NOT TO SCALE	
MATERIAL		LINCOLNSHIRE, IL 60069			