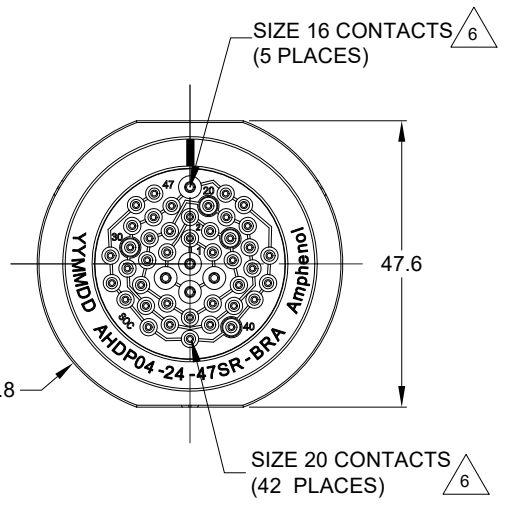
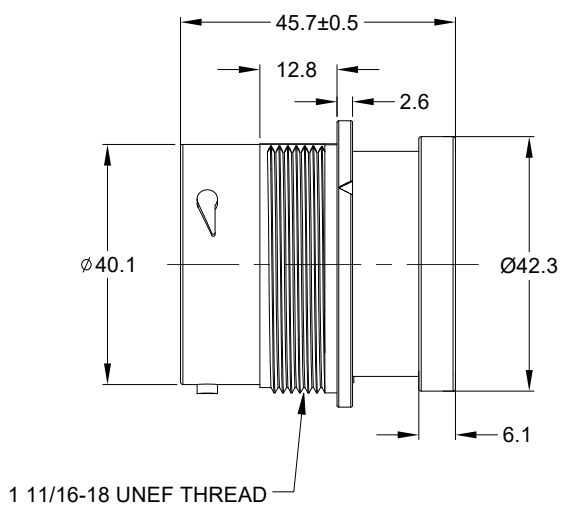
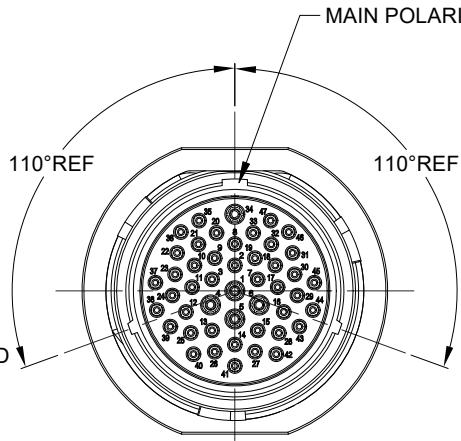
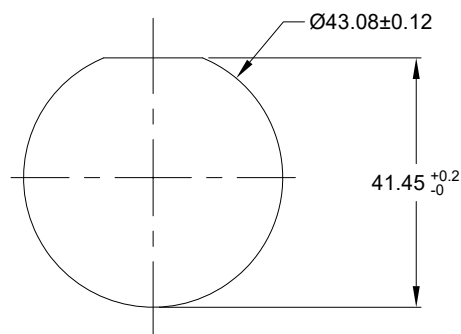


REVISIONS					
REV	ECO	DESCRIPTION	DATE	BY	APPR
A1	--	RELEASE NEW DRAWING	01/MAR/22	VITO	TOMMY

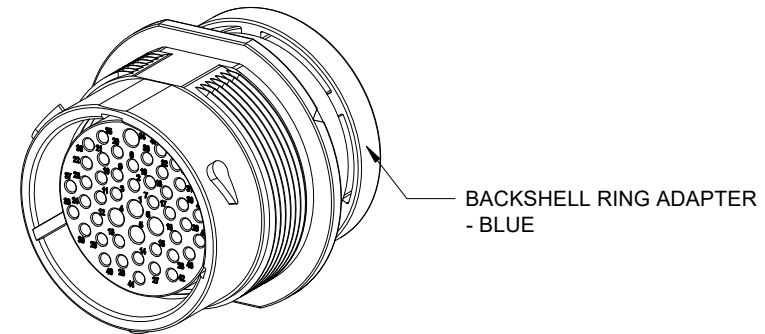


NOTES: UNLESS OTHERWISE SPECIFIED

- MATERIAL:
HOUSING: THERMOPLASTIC; BLACK
SEAL: SILICONE RUBBER
- MODIFICATIONS: BACKSHELL RING ADAPTER (BRA);
REDUCED DIA. WIRE SEAL;
- SPECIFICATIONS:
 - OPERATING TEMPERATURE: -55°C TO +125°C.
 - DIELECTRIC WITHSTANDING VOLTAGE: LESS THAN 2 MILLIAMPS CURRENT LEAKAGE @ 1500 VOLTS AC.
 - INSULATION RESISTANCE: 1000 MEGOHM MIN @ 25°C.
 - MOISTURE RESISTANCE:
IP68 (IM OF WATER FOR A PERIOD OF 24 HOURS, MATED CONDITION);
IP69K (MATED CONDITION)
 - MATING CYCLE DURABILITY: 100 CYCLES
 - RoHS COMPLIANT
- MATING PART: AHPD06-24-47P* (* = SEAL TYPE)
- ALL DIMENSIONS ARE FOR REFERENCE USE ONLY.



RECOMMENDED PANEL MOUNTING HOLE
RECOMMENDED PANEL THICKNESS: 1.6 TO 4.7MM



CONTACT SIZE AND WIRE RANGE:

CONTACT SIZE	MIN. INSUL O.D.	MAX. INSUL O.D.	TYPICAL WIRE RANGE	CURRENT RATING
20	1.02 mm (.040 in)	2.10 mm (.083 in)	16-22 AWG (1.5-0.5mm ²)	7.5 AMPS
16	1.35 mm (.053in)	2.62 mm (.103 in)	14-20 AWG (2.0-0.5mm ²)	13 AMPS

7. RECEPTACLE IS SUPPLIED WITH DUST CAP.

QUANTITY	AHPD04-24-47SR-BRA	REF:HDP24-24-47SE-L017	ITEM												
PART NUMBER		DESCRIPTION													
MATERIALS LIST															
<small>UNLESS OTHERWISE SPECIFIED</small> 1) All dimensions are in metric (mm). 2) Tolerances are as follows: 1 PL DEC ±0.30 Fractions ±1/64 2 PL DEC ±0.15 Angles ±1° 3) Note reference =		<table border="1"> <thead> <tr> <th>SIGNATURES</th> <th>DATE</th> </tr> </thead> <tbody> <tr> <td>DRAWN: VITOLJ</td> <td>01/MAR/22</td> </tr> <tr> <td>CHECKED: SULLENZHANG</td> <td>02/MAR/22</td> </tr> <tr> <td>ENGINEER:</td> <td></td> </tr> <tr> <td>APPROVAL: TOMMY XIE</td> <td>03/MAR/22</td> </tr> </tbody> </table>		SIGNATURES	DATE	DRAWN: VITOLJ	01/MAR/22	CHECKED: SULLENZHANG	02/MAR/22	ENGINEER:		APPROVAL: TOMMY XIE	03/MAR/22		
SIGNATURES	DATE														
DRAWN: VITOLJ	01/MAR/22														
CHECKED: SULLENZHANG	02/MAR/22														
ENGINEER:															
APPROVAL: TOMMY XIE	03/MAR/22														
MATERIAL SPECIFICATIONS: WEIGHT: 57.4g		<table border="1"> <tr> <td colspan="2" style="text-align: center;">Amphenol</td> </tr> <tr> <td colspan="2" style="text-align: center;">Sine Systems - www.amphenol-sine.com 44724 Morley Drive Clinton Township, MI 48036</td> </tr> <tr> <td colspan="2" style="text-align: center;">47POS, RECEPTACLE, SOCKET, SIZE 24, RD SEAL, BRA, DURAMATE AHPD</td> </tr> </table>		Amphenol		Sine Systems - www.amphenol-sine.com 44724 Morley Drive Clinton Township, MI 48036		47POS, RECEPTACLE, SOCKET, SIZE 24, RD SEAL, BRA, DURAMATE AHPD							
Amphenol															
Sine Systems - www.amphenol-sine.com 44724 Morley Drive Clinton Township, MI 48036															
47POS, RECEPTACLE, SOCKET, SIZE 24, RD SEAL, BRA, DURAMATE AHPD															
PROCESS SPECIFICATIONS:		<small>THIS DRAWING IS SUPPLIED FOR INFORMATION ONLY. DESIGN FEATURES, SPECIFICATIONS AND PERFORMANCE DATA SHOWN HEREON ARE THE PROPERTY OF THE AMPHENOL CORPORATION. NO RIGHTS OF REPRODUCTION ARE IMPLIED. ALL DIMENSIONS ARE SUBJECT TO NORMAL MANUFACTURING VARIATIONS.</small>													
NEXT ASSY:		<table border="1"> <tr> <td>SIZE</td> <td>TYPE</td> <td>DWG NO.</td> <td>REVISION</td> </tr> <tr> <td>B</td> <td>C-</td> <td>AHPD04-24-47SR-BRA</td> <td>A1</td> </tr> <tr> <td>SCALE:</td> <td>NONE</td> <td>DURAMATE</td> <td>SHEET 1 OF 1</td> </tr> </table>		SIZE	TYPE	DWG NO.	REVISION	B	C-	AHPD04-24-47SR-BRA	A1	SCALE:	NONE	DURAMATE	SHEET 1 OF 1
SIZE	TYPE	DWG NO.	REVISION												
B	C-	AHPD04-24-47SR-BRA	A1												
SCALE:	NONE	DURAMATE	SHEET 1 OF 1												

TITLE: 47POS RECEPTACLE SOCKET SIZE 24, RD SEAL, BRA, DURAMATE AHPD
DWG NO.: AHPD04-24-47SR-BRA
REV: A1
SH: 1
OF: 1