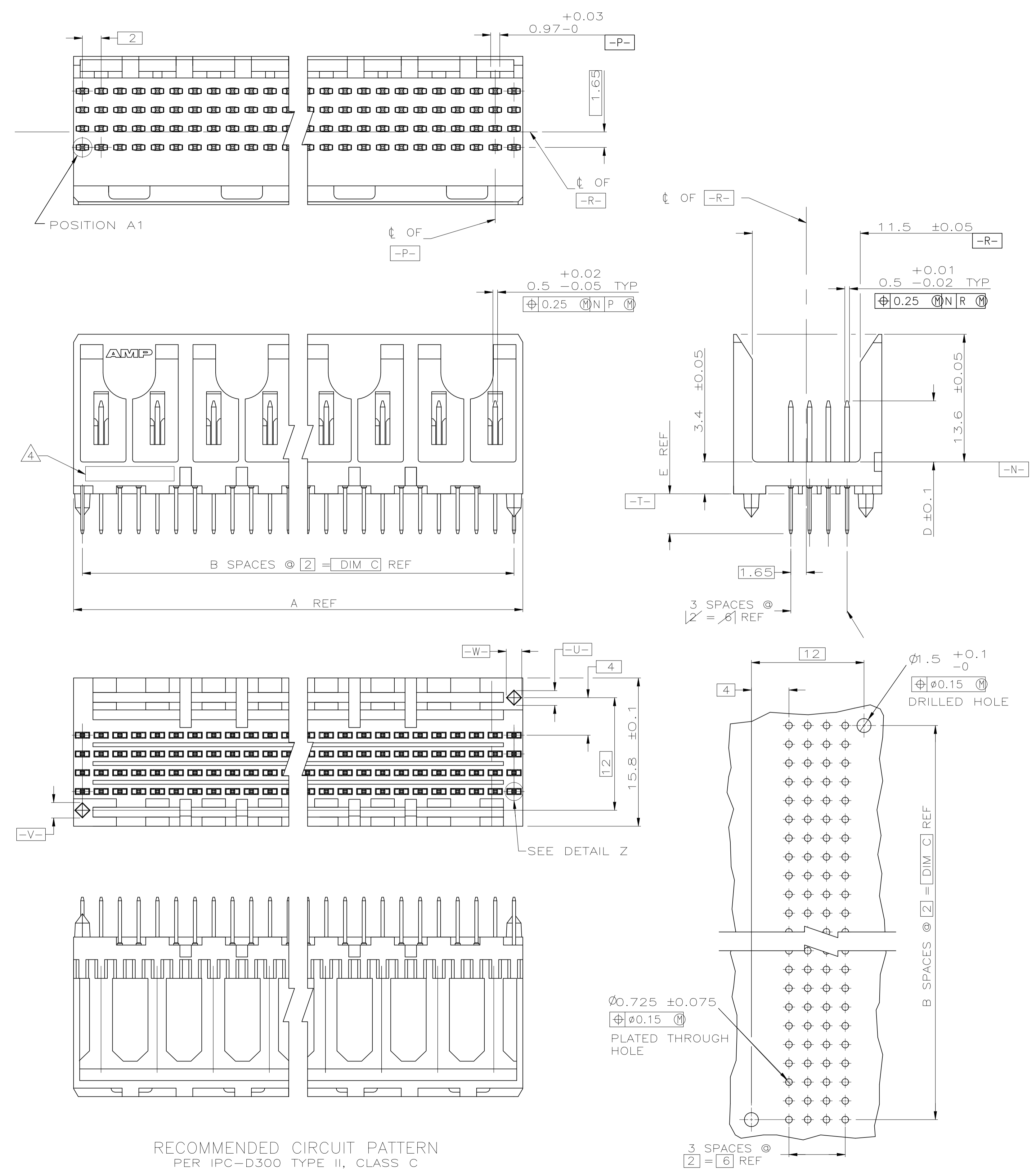
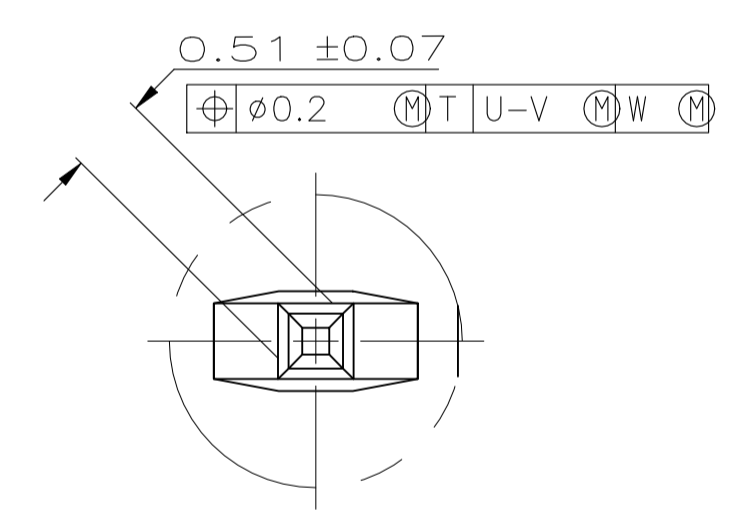


REVISIONS				
REV	DESCRIPTION	DATE	BY	APP'D
S3	REVISED PER ECN-22-166545	29JUL2022	NV	HL



- 1 HOUSING MATERIAL: LIQUID CRYSTAL POLYMER PER ASTM D5138 LCP000 G30A 32250.
- 2 CONTACT MATERIAL: PHOSPHOR BRONZE.
- 3 CONTACT FINISH:
 UNDERPLATE (ENTIRE CONTACT):
 0.00127 MIN NICKEL.
 ON MATING SURFACES:
 CONFORMS TO ALL TESTING SPECIFIED FOR TELCORDIA
 UNCONTROLLED ENVIRONMENT.
 ON LEADS
 0.00381 MIN TIN-LEAD OVER UNDERPLATE.
 LUBRICATION (ENTIRE CONTACT):
 SURFACE CONDITIONER PER AMP SPEC 112-1002 AFTER PLATING.
- 4 PART MARKING PER AMP INCORPORATED SPECIFICATION 115-9009, LOCATED APPROXIMATELY AS SHOWN.
- 5 OBSOLETE PARTS: OBSOLETE CIS STREAMLINING PER D.RENAUD/D.SINISI



DETAIL Z
SCALE 20:1

RECOMMENDED CIRCUIT PATTERN
PER IPC-D300 TYPE II, CLASS C
(COMPONENT SIDE)

	4.25	6.5	34	17	35.88		72	1-536501-1
OBSOLETE	4.25	6.5	130	65	131.88	3	264	1-536501-0
	4.25	6.5	106	53	107.88	3	216	536501-9
	4.25	6.5	118	59	119.88	3	240	536501-8
	4.25	6.5	82	41	83.88	3	168	536501-7
OBSOLETE	4.25	6.5	58	29	59.88	3	120	536501-6
	4.25	6.5	70	35	71.88	3	144	536501-5
OBSOLETE	4.25	6.5	94	47	95.88	3	192	536501-4
	4.25	6.5	46	23	47.88	3	96	536501-3
OBSOLETE	4.25	6.5	22	11	23.88	3	48	536501-2
OBSOLETE	4.25	6.5	10	5	11.88	3	24	536501-1
	E	D	C	B	A	FINISH	NO OF POSN	PART NUMBER

THIS DRAWING IS A CONTROLLED DOCUMENT.

DIMENSIONS: mm	TOLERANCES UNLESS OTHERWISE SPECIFIED:	DRAWN: D.R. BENDER 08/06/92	DATE: 08/06/92	TE Connectivity
0. PLC ± -	1. PLC ± -	CHK: R. BENDORF 09/14/92	DATE: 09/14/92	
2. PLC ± -0.13	3. PLC ± -	APP'D: R. BENDORF 09/14/92	DATE: 09/14/92	NAME: Z-PACK 2mm FB, SIGNAL MODULE, PIN ASSEMBLY
4. PLC ± -	ANGLES ± -	PRODUCT SPEC	APPLICATION SPEC	SIZE: 2mm
MATERIAL: 1-2	FINISH: 3	WEIGHT: 0	SIZE: A1	CAGE CODE: 00779
			DRAWING NO: 536501	RESTRICTED TO: -
			CUSTOMER DRAWING	SCALE: 4:1 SHEET 1 of 1 REV: S3