

4

3

2

1

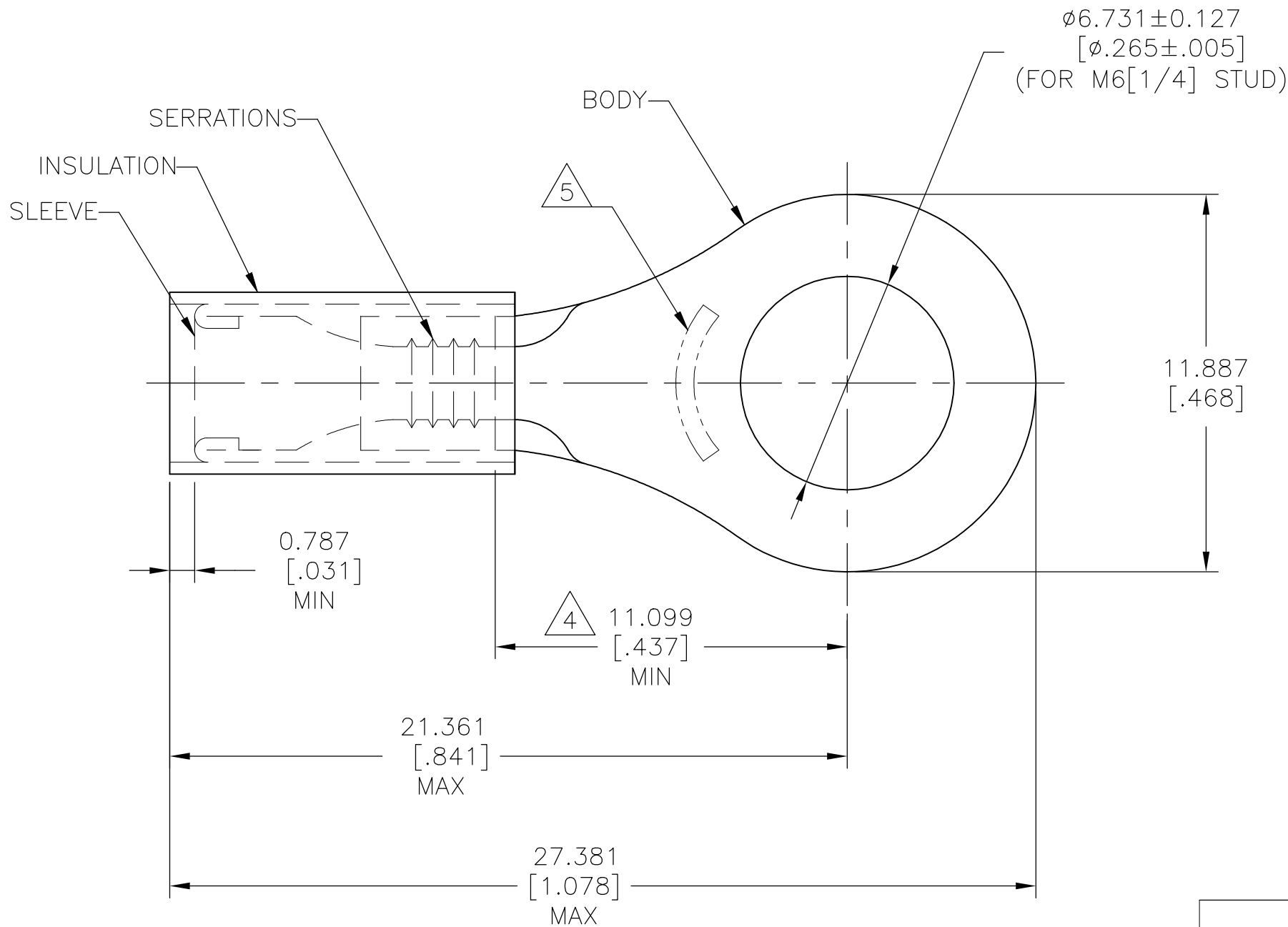
THIS DRAWING IS UNPUBLISHED.

RELEASED FOR PUBLICATION

REVISIONS

© COPYRIGHT - By - ALL RIGHTS RESERVED.

P	LTR	DESCRIPTION	DATE	DWN	APVD
	H3	REVISED PER ECO-15-016493	27NOV2015	NK	DR
	H4	REVISED PER ECO-17-016703	28MAR2018	RS	DR



- 1 BODY: COPPER ASTM B152 NICKEL PL SAE AMS QQ-N-290 0.0076[.0003] AVG. EXT. THK SLEEVE: COPPER ASTM B152 NICKEL PL SAE AMS QQ-N-290 0.00076[.00003] AVG EXT. THK
- 2 FOR 2.032[.080] TO 3.810[.150] WIRE INSULATION DIA.
- 3 BODY MATERIAL THK: 0.787±0.051 [.031±.002]
- 4 DIMENSION APPLIES FROM EDGE OF METAL WIRE BARREL TO CENTER OF STUD HOLE
- 5 STAMP "AMP 14" APPROX AS SHOWN

1000	LOOSE PIECE	50841	PTFE (ASTM D3295) COLOR: WHITE
QTY	PACKAGE TYPE	PART NO.	INSULATION MATERIAL

AMP INCORPORATED CUSTOMER SERVICE SYSTEMS		MAX RECOMMENDED OPERATING TEMPERATURE: 288°C [550°F]	THIS DRAWING IS A CONTROLLED DOCUMENT.		DWN 13OCT2015 NAGALAKSHMI K	STE TE Connectivity Ltd.			
FOR ADDITIONAL PRODUCT INFORMATION OR COPIES OF DRAWINGS AND TECHNICAL DOCUMENTS	PRODUCT INFORMATION CENTER 1-800-522-6752	VOLTAGE RATING: 300V MAX	DIMENSIONS: mm [INCHES]	TOLERANCES UNLESS OTHERWISE SPECIFIED: REMOVE BURRS, BREAK SHARPE EDGES .015 R MAX	CHK 13OCT2015 MERCURIO MAURIZIO			NAME	
FOR APPLICATION TOOLING INFORMATION	TOOLING ASSISTANCE CENTER 1-800-722-1111	CIRCULAR MIL AREA: 2.15mm²[4,234] STRANDED WIRE ONLY		0 PLC ± - 1 PLC ± - 2 PLC ± - 3 PLC ± 0.127[.005] 4 PLC ± - ANGLES ± 5°	APVD 13OCT2015 MERCURIO MAURIZIO	WIRE TERMINAL PIDG, STRATO-THERM, RING TONGUE WIRE SIZE: 14 AWG			
FOR ORDER ENTRY	1-800-526-5142		MATERIAL 1 SEE TABLE	FINISH 1 SEE TABLE	PRODUCT SPEC -	SIZE A3	CAGE CODE 00779	DRAWING NO C-50841	RESTRICTED TO -
					WEIGHT	SCALE NTS		SHEET 1 OF 1	REV H4