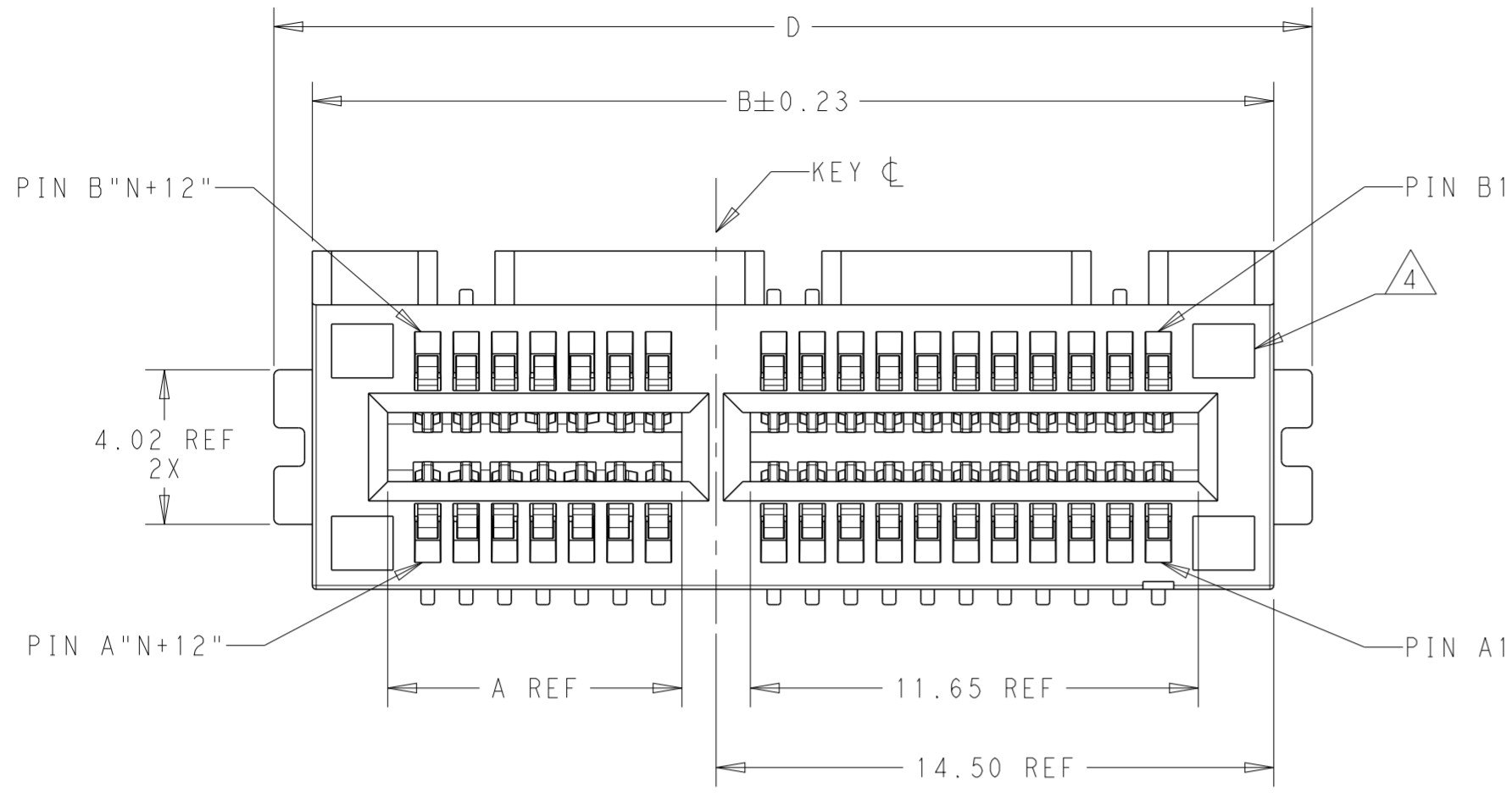


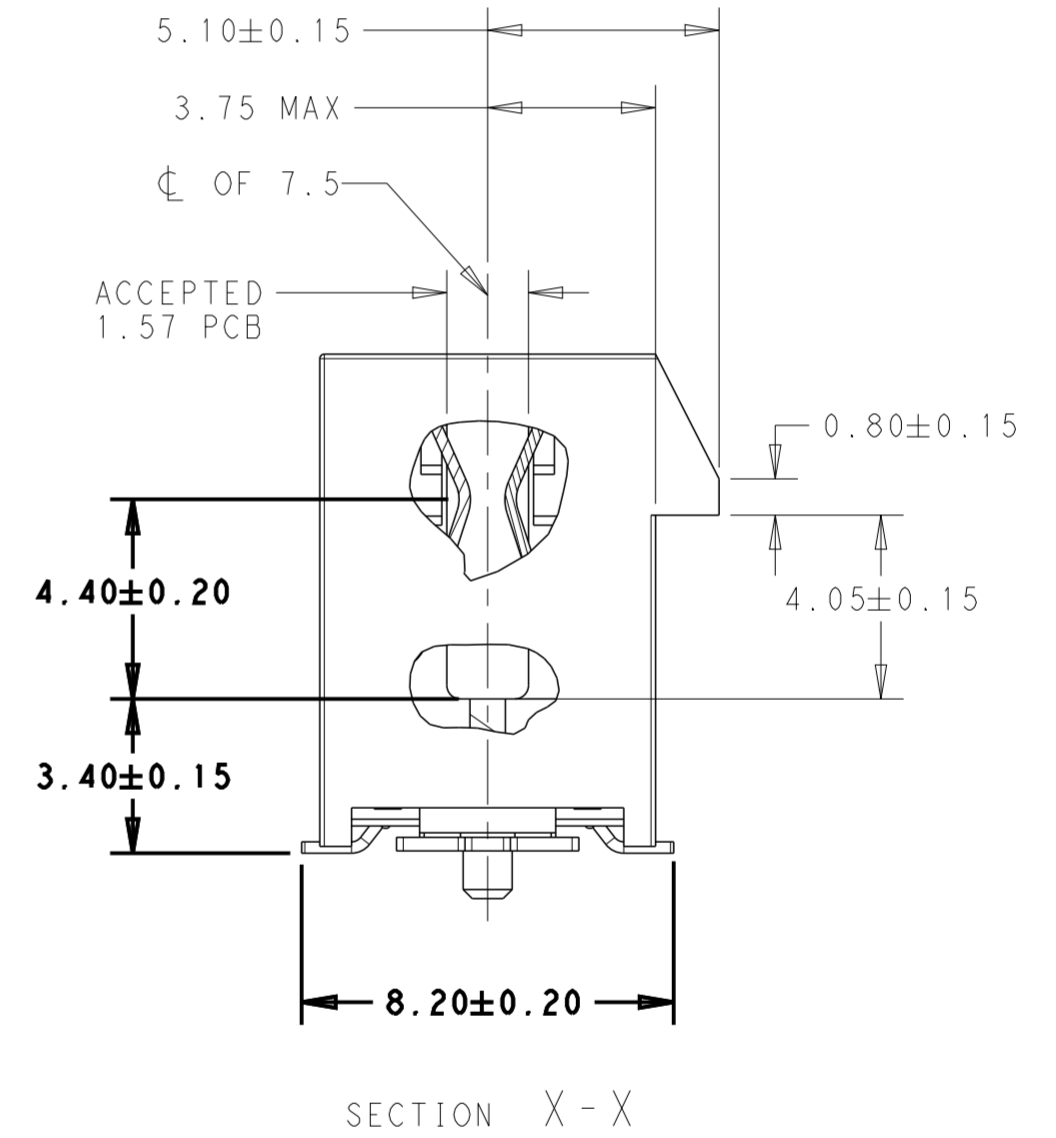
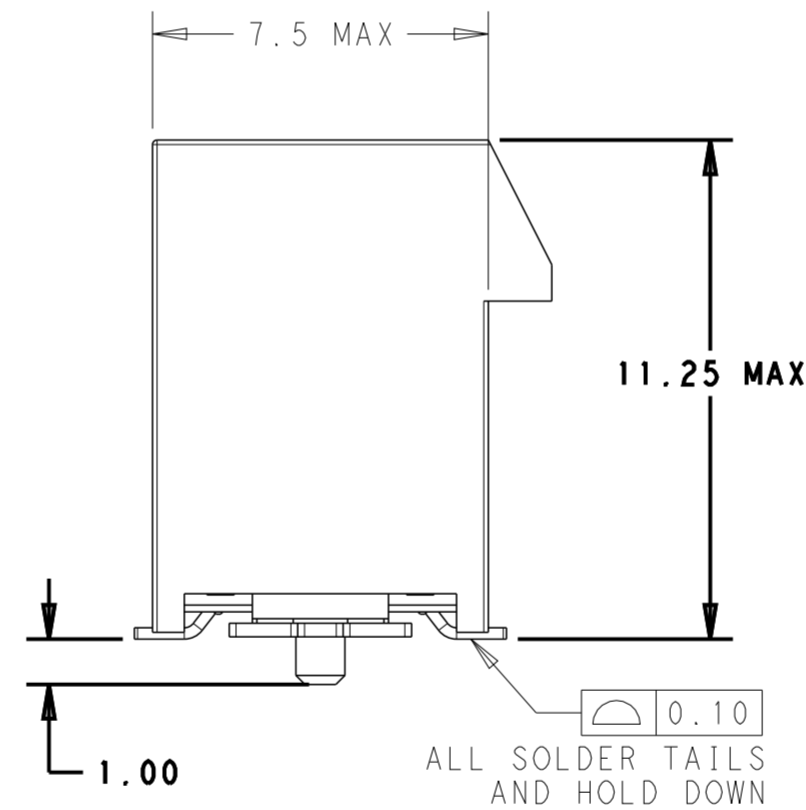
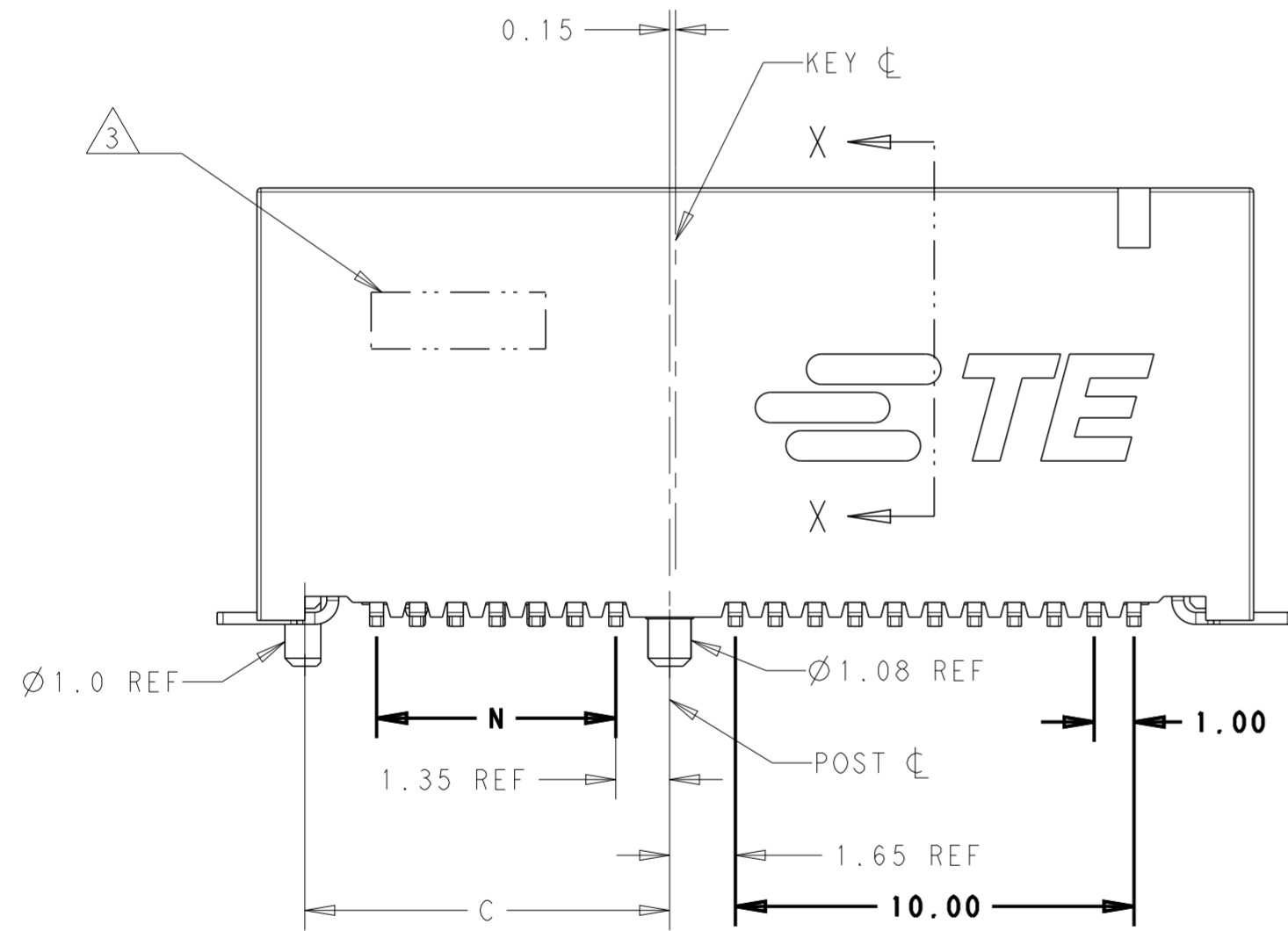
THIS DRAWING IS UNPUBLISHED. RELEASED FOR PUBLICATION 20
 © COPYRIGHT 20 BY - ALL RIGHTS RESERVED.

REVISIONS					
P	LTR	DESCRIPTION	DATE	DWN	APVD
B		ADD NEW PN	10NOV2022	MC	HL
C		UPDATE HARD TRAY IN SHEET5, NEW ADD PN	24NOV2022	MC	HL
D		CORRECT TYPO IN 6-2364427-9	50DEC2022	MC	HL
D1		ADD NEW PN	13DEC2022	MC	HL



NOTES:

- 1 MATERIAL:
HOUSING: HIGH-TEMP PLASTIC, BLACK, UL 94V-0
CONTACT: COPPER ALLOY
HOLD DOWN: COPPER ALLOY
- 2 FINISH:
(SEE TABLE) 0.1 INCH GOLD PLATING OR GOLD FLASH OVER PdNi ON CONTACT AREA.
2.54um MATTE-TIN PLATING ON SOLDER TAIL AREA.
1.27um NICKEL UNDERPLATING OVERALL.
- 3 PCIE5, PART NUMBER AND DC PRINTED IN APPROPRIATE AREA OR OPPOSITE
- 4 SUCH CORE VOIDS PER MANUFACTURER'S CONVENIENCE



THIS DRAWING IS A CONTROLLED DOCUMENT.		DWN SANDERS YAN 22OCT2019	TE Connectivity	
DIMENSIONS: mm		CHK MIKE CHEN 22OCT2019		
TOLERANCES UNLESS OTHERWISE SPECIFIED:		APVD HOPE LU 22OCT2019	NAME PCI EXPRESS CARD EDGE CONNECTOR GEN5, STD	
0 PLC ±	1 PLC ±0.3	PRODUCT SPEC 108-160247	SIZE A2	CAGE CODE 00779
2 PLC ±0.20	3 PLC ±0.050	APPLICATION SPEC -	DRAWING NO C-2364427	RESTRICTED TO -
4 PLC ±	ANGLES ±	WEIGHT -	SCALE 6:1	SHEET 1 OF 7
MATERIAL - 1		CUSTOMER DRAWING		REV D1

THIS DRAWING IS UNPUBLISHED. RELEASED FOR PUBLICATION 20
 © COPYRIGHT 20 BY - ALL RIGHTS RESERVED.

REVISIONS				
P	LTR	DESCRIPTION	DATE	APVD
-	-	SEE SHEET 1	-	-

TYPE	L * W * H (TRAY)	PRECIOUS PLATING THICKNESS (TOTAL)	W	V	J	D	N	C	B	A	POS.	PART NUMBER
TAPE & REEL	88 X 13.92 X 24(W*D*P)	30u"	53.5	8.5	28	58	37	40.15	56	38.65	98	7-2364427-9
SOFT TRAY	328 X 135 X 23.2	30u"	86.5	8	44.5	91	70	73.15	89	71.65	164	7-2364427-8
TAPE & REEL	88 X 13.92 X 24(W*D*P)	30u"	53.5	8	28	58	37	40.15	56	38.65	98	7-2364427-7
HARD TRAY	300 X 200 X 19.3	30u"	10.0	8	44.5	91	70	73.15	89	71.65	164	8-2364427-4
HARD TRAY	323 X 136 X 19	30u"	WITHOUT MYLAR		44.5	91	70	73.15	89	71.65	164	6-2364427-9
HARD TRAY	323 X 136 X 19	30u"	86.5	8.5	44.5	91	70	73.15	89	71.65	164	6-2364427-8
HARD TRAY	323 X 136 X 19	30u"	53	8.5	28	58	37	40.15	56	38.65	98	6-2364427-7
TAPE & REEL	56 X 14.15 X 24(W*D*P)	30u"	30	8.5	19.5	41	20	23.15	39	21.65	64	6-2364427-6
TAPE & REEL	44 X 14.15 X 24(W*D*P)	30u"	22	8.5	12.5	27	6	9.15	25	7.65	36	6-2364427-5
HARD TRAY	330 X 235 X 19.3	30u"	45.0	8	44.5	91	70	73.15	89	71.65	164	7-2364427-4
HARD TRAY	330 X 235 X 19.3	30u"	86.5	8	44.5	91	70	73.15	89	71.65	164	5-2364427-8
HARD TRAY	330 X 235 X 19.3	30u"	53.5	8	28	58	37	40.15	56	38.65	98	5-2364427-7
SOFT TRAY	338 X 235 X 20.3	30u"	36.5	8	19.5	41	20	23.15	39	21.65	64	5-2364427-6
SOFT TRAY	338 X 235 X 18.2	30u"	22.5	8	12.5	27	6	9.15	25	7.65	36	5-2364427-5
HARD TRAY	330 X 235 X 19.3	30u"	10.0	8	44.5	91	70	73.15	89	71.65	164	5-2364427-4
HARD TRAY	330 X 235 X 19.3	30u"	10.0	8	28	58	37	40.15	56	38.65	98	5-2364427-3
SOFT TRAY	338 X 235 X 20.3	30u"	10.0	8	19.5	41	20	23.15	39	21.65	64	5-2364427-2
SOFT TRAY	338 X 235 X 18.2	30u"	10.0	8	12.5	27	6	9.15	25	7.65	36	5-2364427-1
HARD TRAY	323 X 136 X 19	15u"	86.5	8	44.5	91	70	73.15	89	71.65	164	4-2364427-9
HARD TRAY	330 X 235 X 19.3	15u"	86.5	8	44.5	91	70	73.15	89	71.65	164	4-2364427-8
HARD TRAY	330 X 235 X 19.3	15u"	53.5	8	28	58	37	40.15	56	38.65	98	4-2364427-7
SOFT TRAY	338 X 235 X 20.3	15u"	36.5	8	19.5	41	20	23.15	39	21.65	64	4-2364427-6
SOFT TRAY	338 X 235 X 18.2	15u"	22.5	8	12.5	27	6	9.15	25	7.65	36	4-2364427-5
HARD TRAY	330 X 235 X 19.3	15u"	10.0	8	44.5	91	70	73.15	89	71.65	164	4-2364427-4
HARD TRAY	330 X 235 X 19.3	15u"	10.0	8	28	58	37	40.15	56	38.65	98	4-2364427-3
SOFT TRAY	338 X 235 X 20.3	15u"	10.0	8	19.5	41	20	23.15	39	21.65	64	4-2364427-2
SOFT TRAY	338 X 235 X 18.2	15u"	10.0	8	12.5	27	6	9.15	25	7.65	36	4-2364427-1
HARD TRAY	330 X 235 X 19.3	G/F	86.5	8	44.5	91	70	73.15	89	71.65	164	3-2364427-8
HARD TRAY	330 X 235 X 19.3	G/F	53.5	8	28	58	37	40.15	56	38.65	98	3-2364427-7
SOFT TRAY	338 X 235 X 20.3	G/F	36.5	8	19.5	41	20	23.15	39	21.65	64	3-2364427-6
SOFT TRAY	338 X 235 X 18.2	G/F	22.5	8	12.5	27	6	9.15	25	7.65	36	3-2364427-5
HARD TRAY	330 X 235 X 19.3	G/F	10.0	8	44.5	91	70	73.15	89	71.65	164	3-2364427-4
HARD TRAY	330 X 235 X 19.3	G/F	10.0	8	28	58	37	40.15	56	38.65	98	3-2364427-3
SOFT TRAY	338 X 235 X 20.3	G/F	10.0	8	19.5	41	20	23.15	39	21.65	64	3-2364427-2
SOFT TRAY	338 X 235 X 18.2	G/F	10.0	8	12.5	27	6	9.15	25	7.65	36	3-2364427-1
HARD TRAY	330 X 235 X 19.3	30u"	NA		44.5	91	70	73.15	89	71.65	164	2-2364427-4
HARD TRAY	330 X 235 X 19.3	30u"	NA		28	58	37	40.15	56	38.65	98	2-2364427-3
SOFT TRAY	338 X 235 X 20.3	30u"	NA		19.5	41	20	23.15	39	21.65	64	2-2364427-2
SOFT TRAY	338 X 235 X 18.2	30u"	NA		12.5	27	6	9.15	25	7.65	36	2-2364427-1
HARD TRAY	330 X 235 X 19.3	15u"	NA		44.5	91	70	73.15	89	71.65	164	1-2364427-4
HARD TRAY	330 X 235 X 19.3	15u"	NA		28	58	37	40.15	56	38.65	98	1-2364427-3
SOFT TRAY	338 X 235 X 20.3	15u"	NA		19.5	41	20	23.15	39	21.65	64	1-2364427-2
SOFT TRAY	338 X 235 X 18.2	15u"	NA		12.5	27	6	9.15	25	7.65	36	1-2364427-1
HARD TRAY	330 X 235 X 19.3	G/F	NA		44.5	91	70	73.15	89	71.65	164	2364427-4
HARD TRAY	330 X 235 X 19.3	G/F	NA		28	58	37	40.15	56	38.65	98	2364427-3
SOFT TRAY	338 X 235 X 20.3	G/F	NA		19.5	41	20	23.15	39	21.65	64	2364427-2
SOFT TRAY	338 X 235 X 18.2	G/F	NA		12.5	27	6	9.15	25	7.65	36	2364427-1

D1

D1

THIS DRAWING IS A CONTROLLED DOCUMENT.

DWN SANDERS, YAN 22OCT2019
 CHK MIKE, CHEN 22OCT2019
 APVD HOPE, LU 22OCT2019

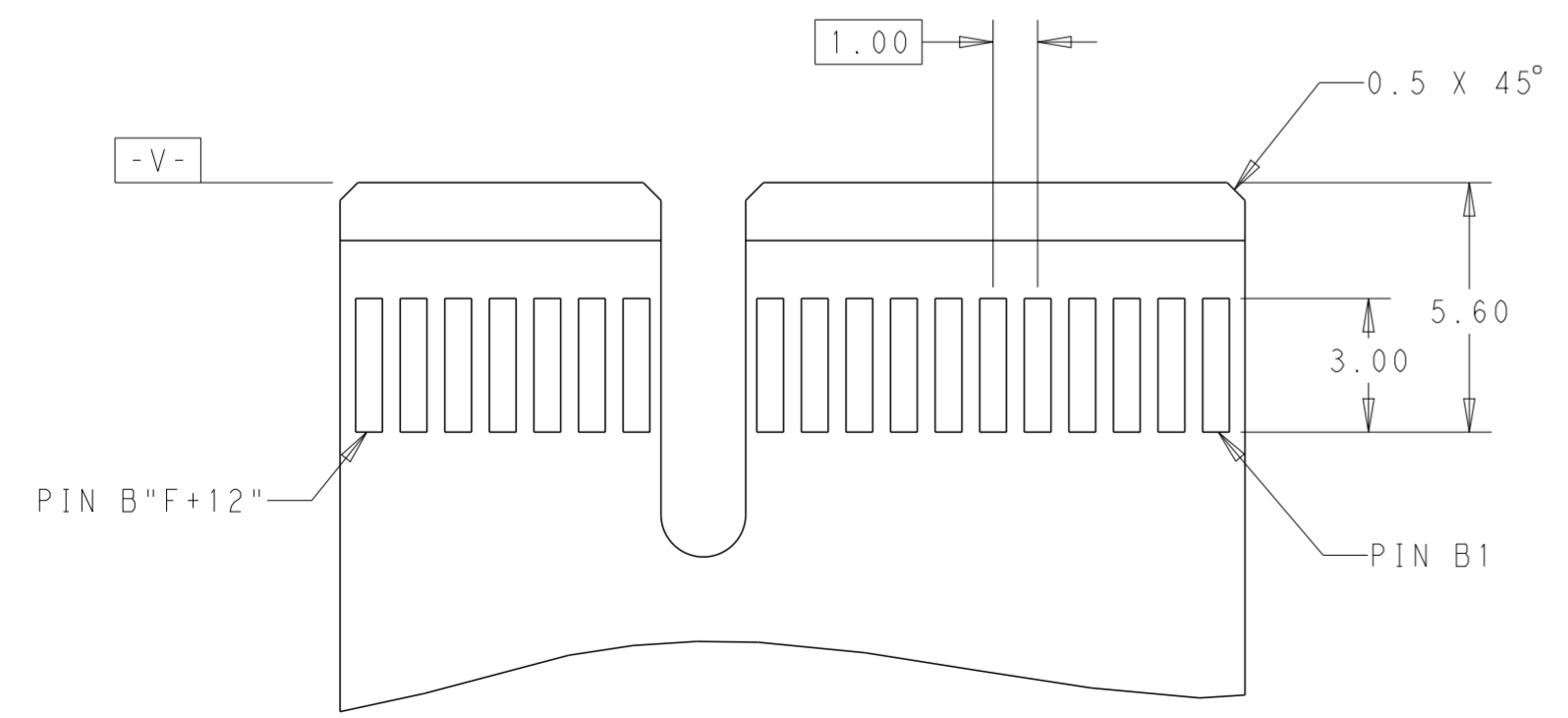
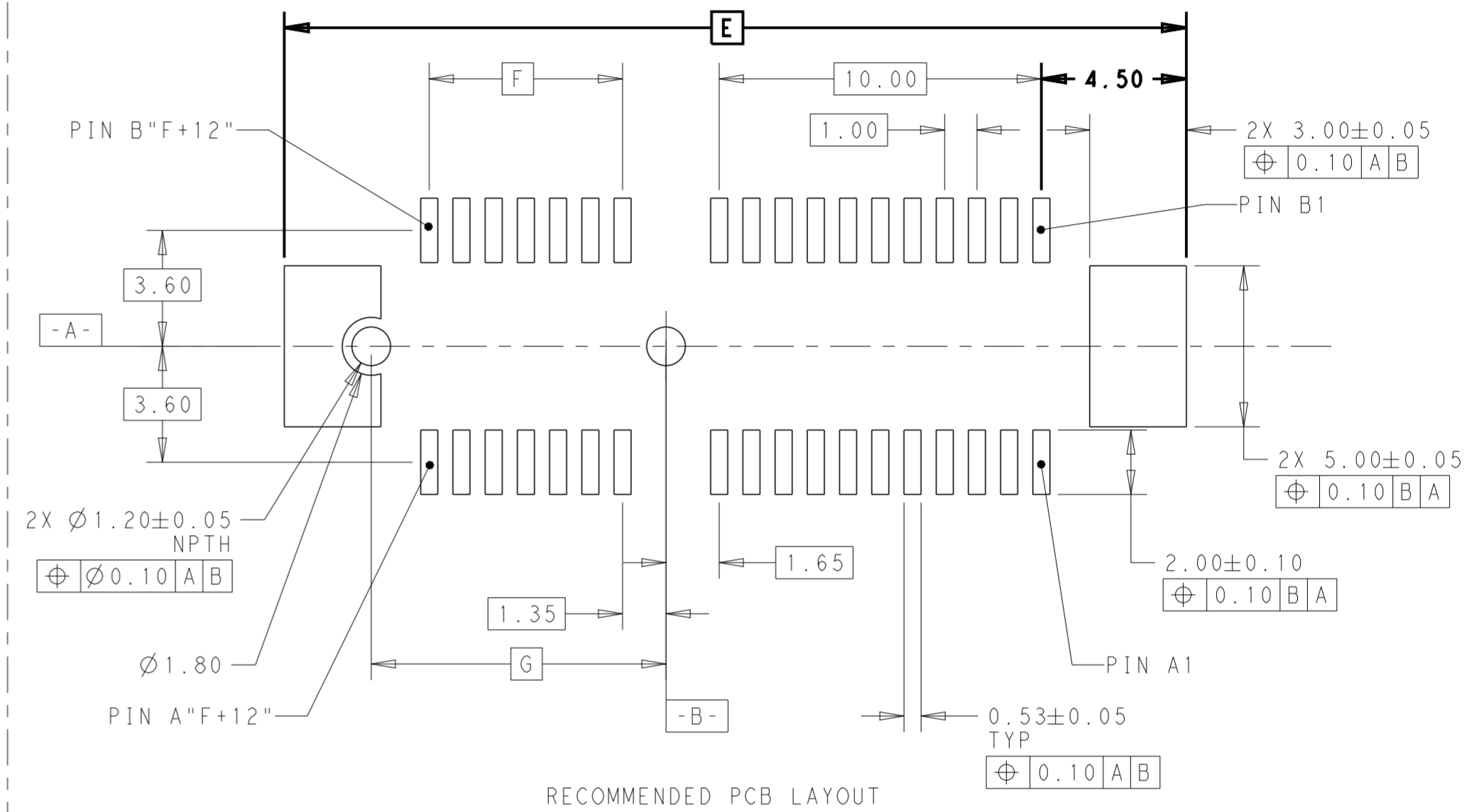
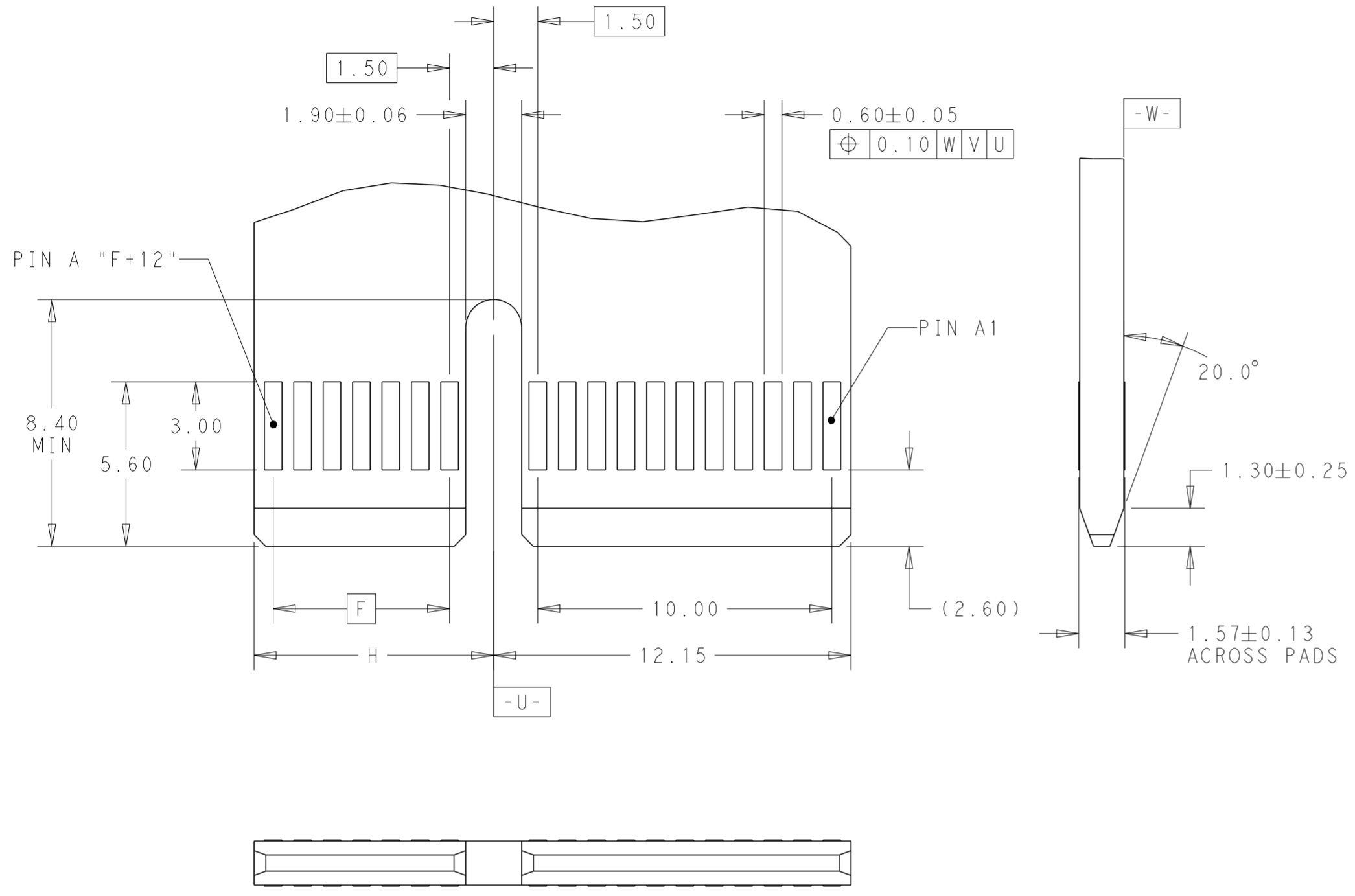
STE TE Connectivity

NAME: PCI EXPRESS CARD EDGE CONNECTOR GEN5, STD
 PRODUCT SPEC: 108-160247
 APPLICATION SPEC: -

SIZE: A2 CAGE CODE: 00779 DRAWING NO: C-2364427 RESTRICTED TO: -
 WEIGHT: -
 CUSTOMER DRAWING SCALE: 4:1 SHEET: 2 OF 7 REV: D1

THIS DRAWING IS UNPUBLISHED. RELEASED FOR PUBLICATION 20
 © COPYRIGHT 20 BY - ALL RIGHTS RESERVED.

REVISIONS				
P	LTR	DESCRIPTION	DATE	APVD
-	-	SEE SHEET 1	-	-



ADD-IN CARD EDGE-FINGER DIMENSION
 DEFAULT TOLERANCE ±0.13

164	92.00	70	73.15	72.15
98	59.00	37	40.15	39.15
64	42.00	20	23.15	22.15
36	28.00	6	9.15	8.15
POS.	DIM. E	DIM. F	DIM. G	DIM. H

THIS DRAWING IS A CONTROLLED DOCUMENT.

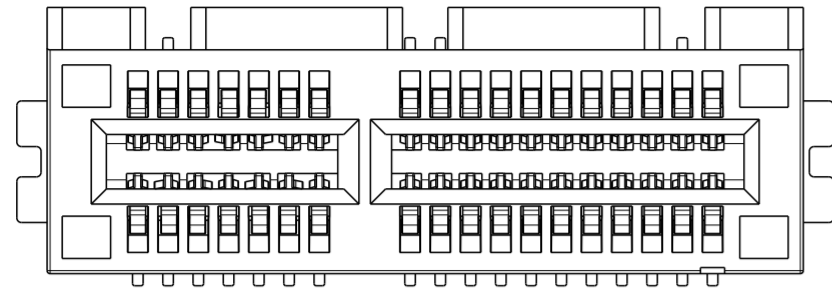
DIMENSIONS: mm	TOLERANCES UNLESS OTHERWISE SPECIFIED: 0 PLC ± 1 PLC ±0.3 2 PLC ±0.20 3 PLC ±0.050 4 PLC ± ANGLES ± FINISH	DWN SANDERS, YAN 22OCT2019 CHK MIKE, CHEN 22OCT2019 APVD HOPE, LU 22OCT2019 PRODUCT SPEC 108-160247 APPLICATION SPEC WEIGHT CUSTOMER DRAWING	NAME PCI EXPRESS CARD EDGE CONNECTOR GEN5, STD SIZE A2 CAGE CODE 00779 DRAWING NO. C-2364427 SCALE 6:1 SHEET 3 OF 7 REV D1	RESTRICTED TO
-------------------	---	--	--	---------------

1471-9 (3/13)

THIS DRAWING IS UNPUBLISHED. RELEASED FOR PUBLICATION 20
 © COPYRIGHT 20 BY - ALL RIGHTS RESERVED.

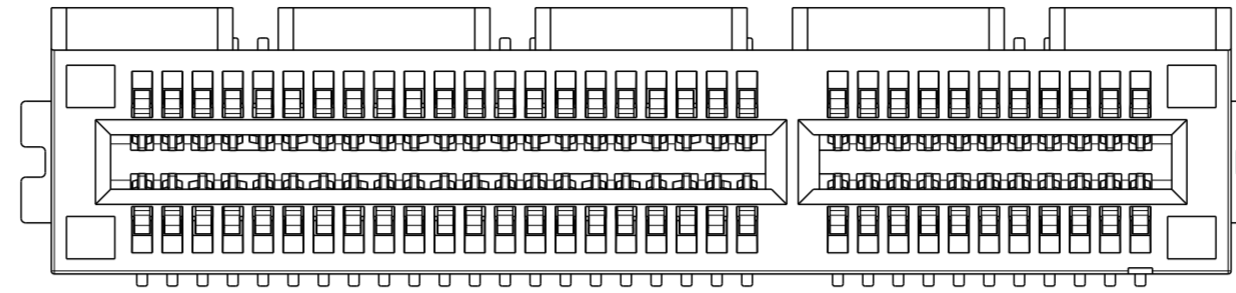
REVISIONS				
P	LTR	DESCRIPTION	DATE	APVD
-	-	SEE SHEET 1	-	-

FRONT VIEW



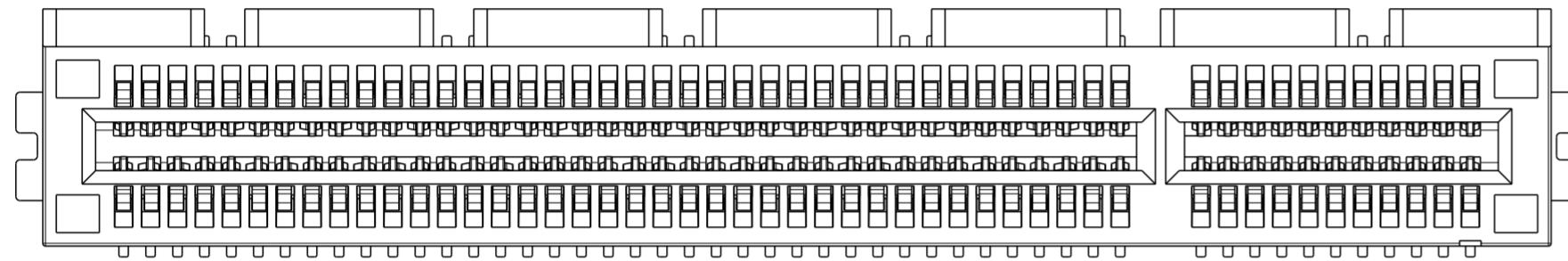
36POS AS SHOWN
 SCALE: 4:1

FRONT VIEW

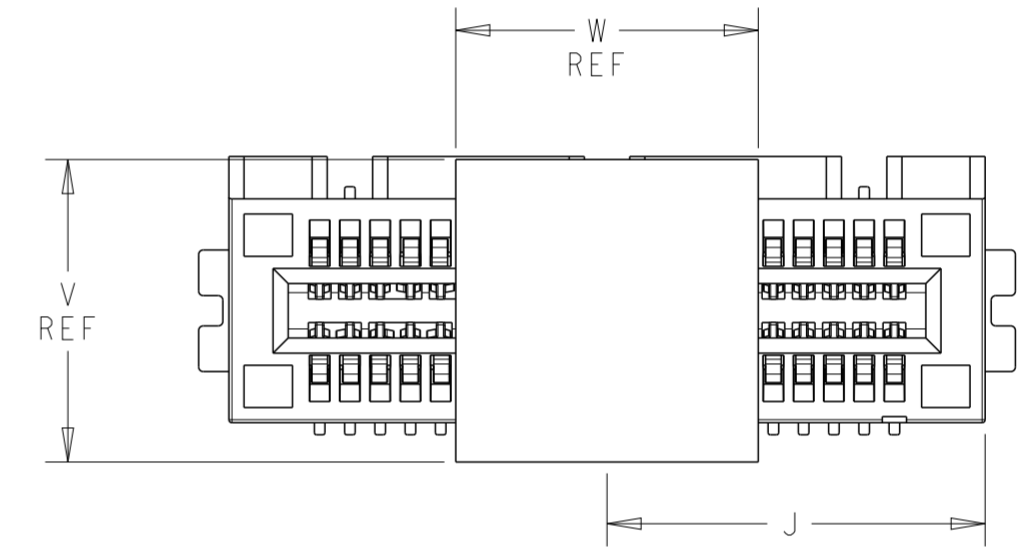


64POS AS SHOWN
 SCALE: 4:1

FRONT VIEW

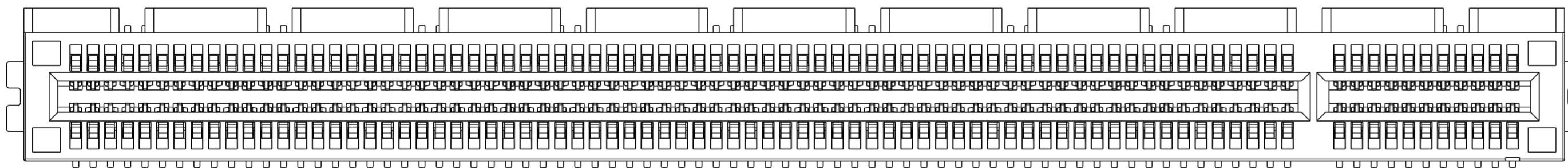


98POS AS SHOWN
 SCALE: 4:1



MYLAR SIZE
 SCALE: 4:1

FRONT VIEW

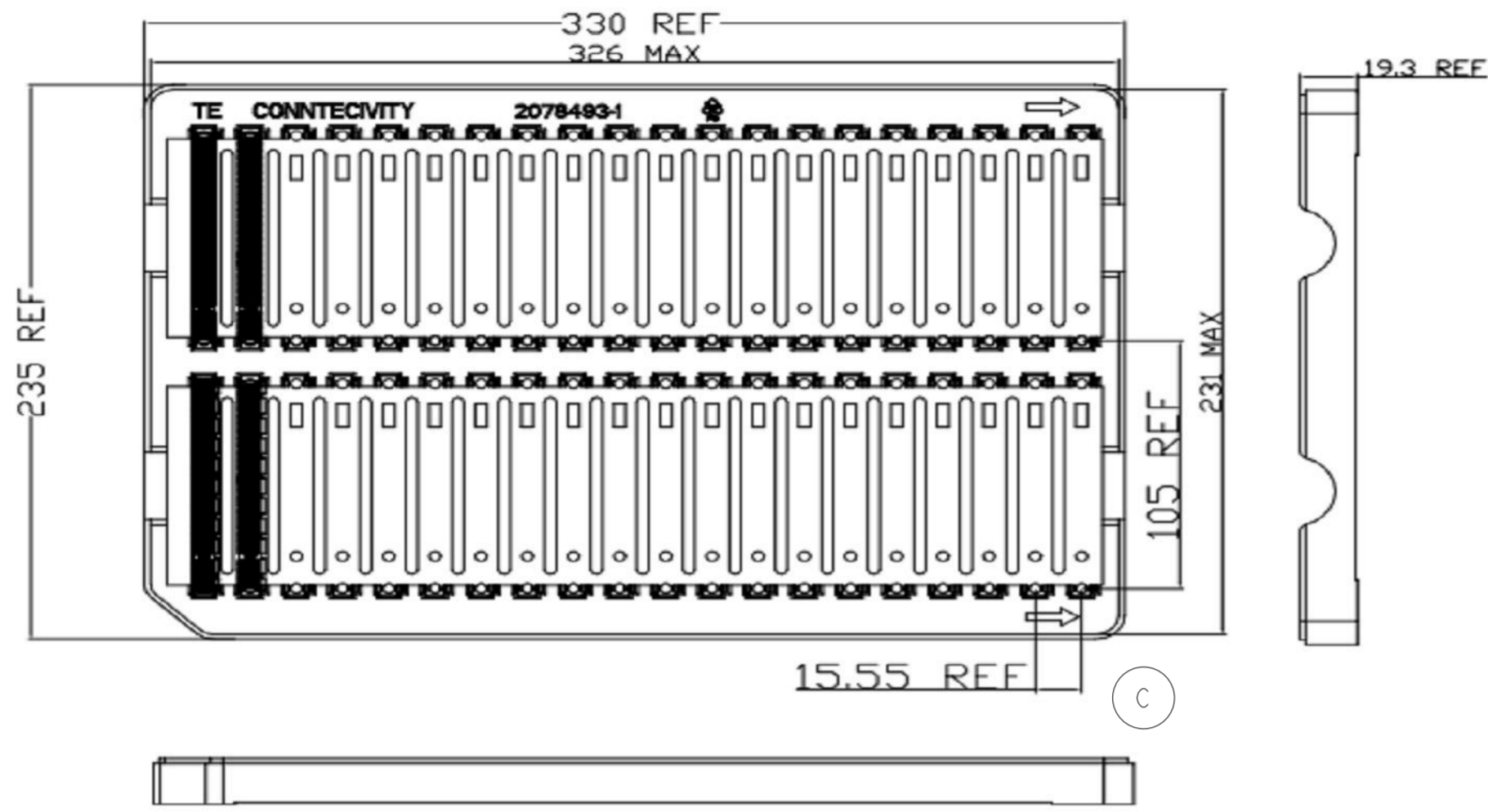


164POS AS SHOWN
 SCALE: 4:1

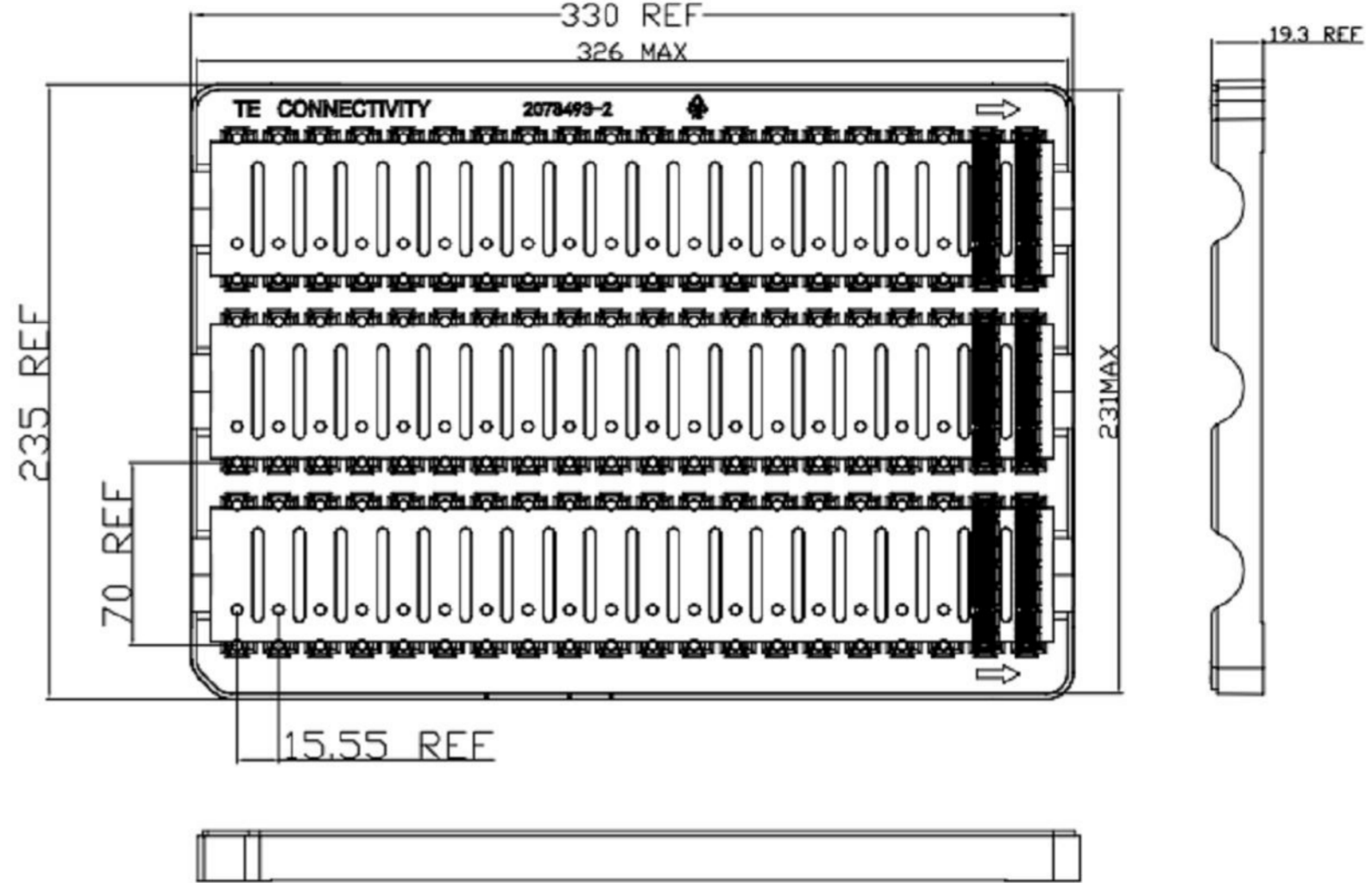
THIS DRAWING IS A CONTROLLED DOCUMENT.		DWN 22OCT2019 SANDERS, YAN	TE Connectivity		
DIMENSIONS: mm		CHK 22OCT2019 MIKE, CHEN			
TOLERANCES UNLESS OTHERWISE SPECIFIED: 0 PLC ± 1 PLC ±0.3 2 PLC ±0.20 3 PLC ±0.050 4 PLC ± ANGLES ± FINISH ±		APVD 22OCT2019 HOPE, LU	NAME PCI EXPRESS CARD EDGE CONNECTOR GEN5, STD		
MATERIAL		PRODUCT SPEC 108-160247	SIZE A200779	CAGE CODE C-2364427	DRAWING NO RESTRICTED TO
-		WEIGHT	SCALE 6:1		SHEET 4 OF 7
-		CUSTOMER DRAWING	REV D1		

THIS DRAWING IS UNPUBLISHED. RELEASED FOR PUBLICATION 20
 © COPYRIGHT 20 BY - ALL RIGHTS RESERVED.

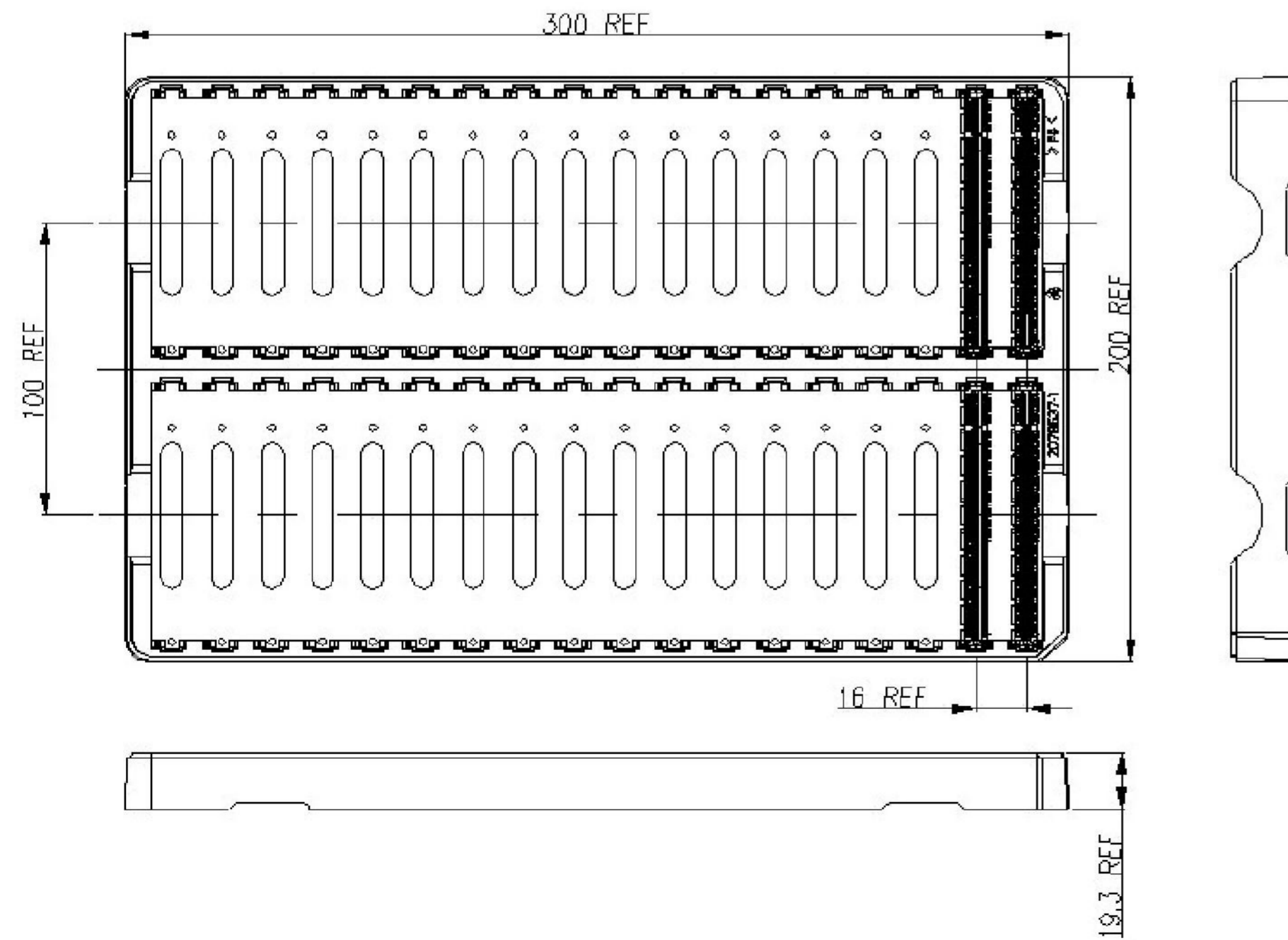
REVISIONS				
P	LTR	DESCRIPTION	DATE	APVD
-	-	SEE SHEET 1	-	-



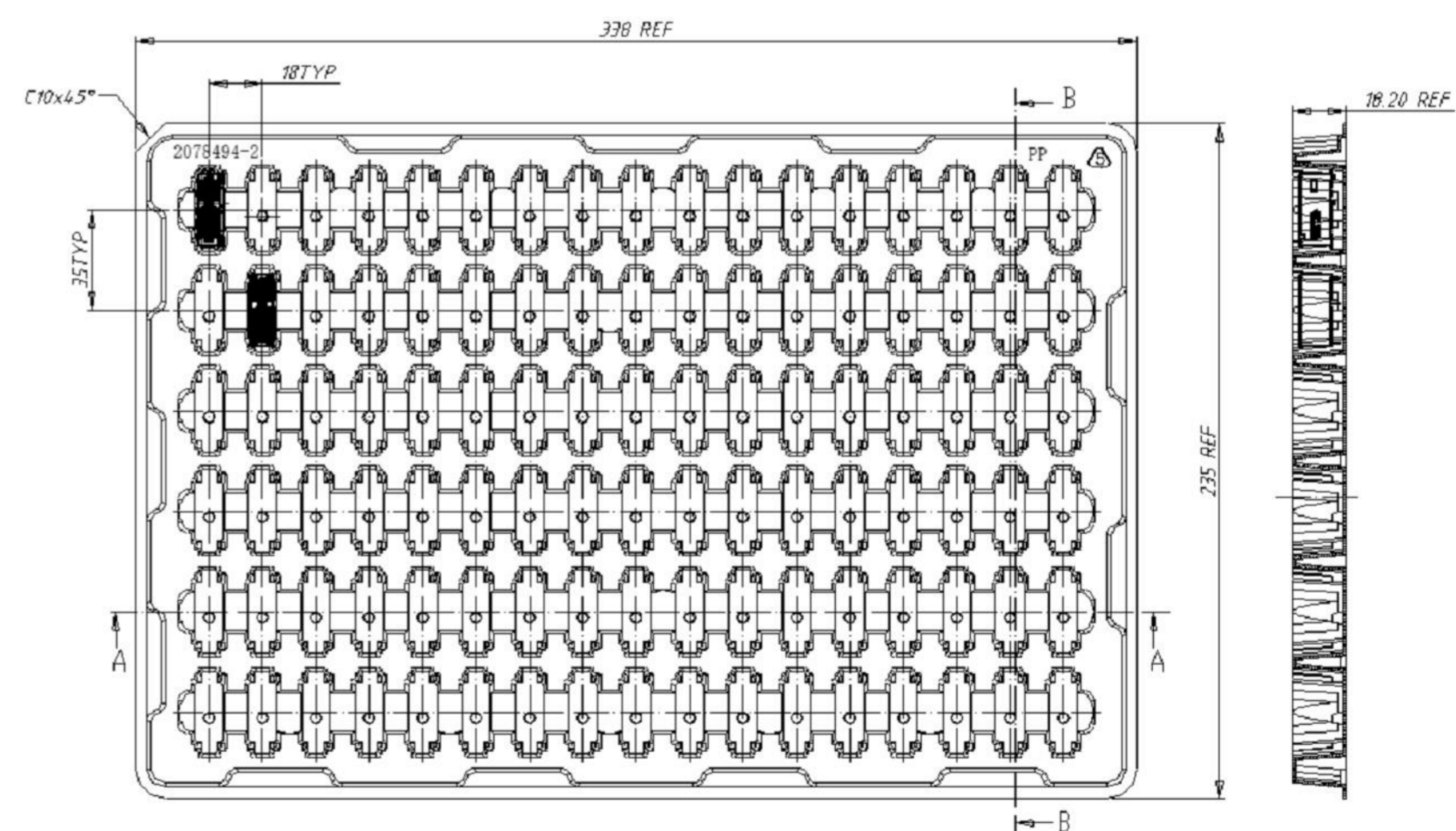
HARD TRAY: FOR 164POS
SCALE: 1:2



HARD TRAY: FOR 98POS
SCALE: 1:2



HARD TRAY: FOR 8-2364427-4 (164POS)
SCALE: 1:2

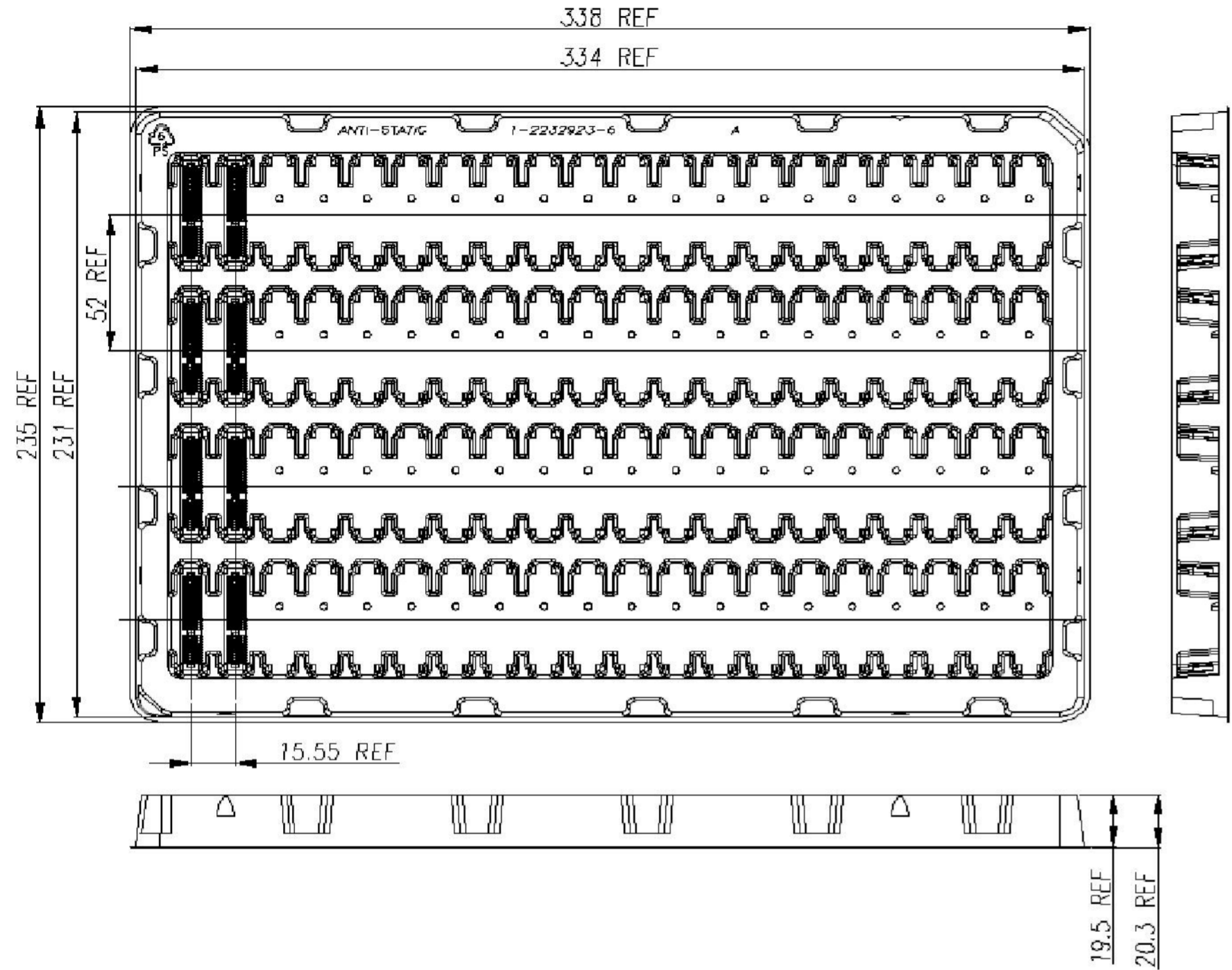


SOFT TRAY: FOR 36P, SCALE: 1:2

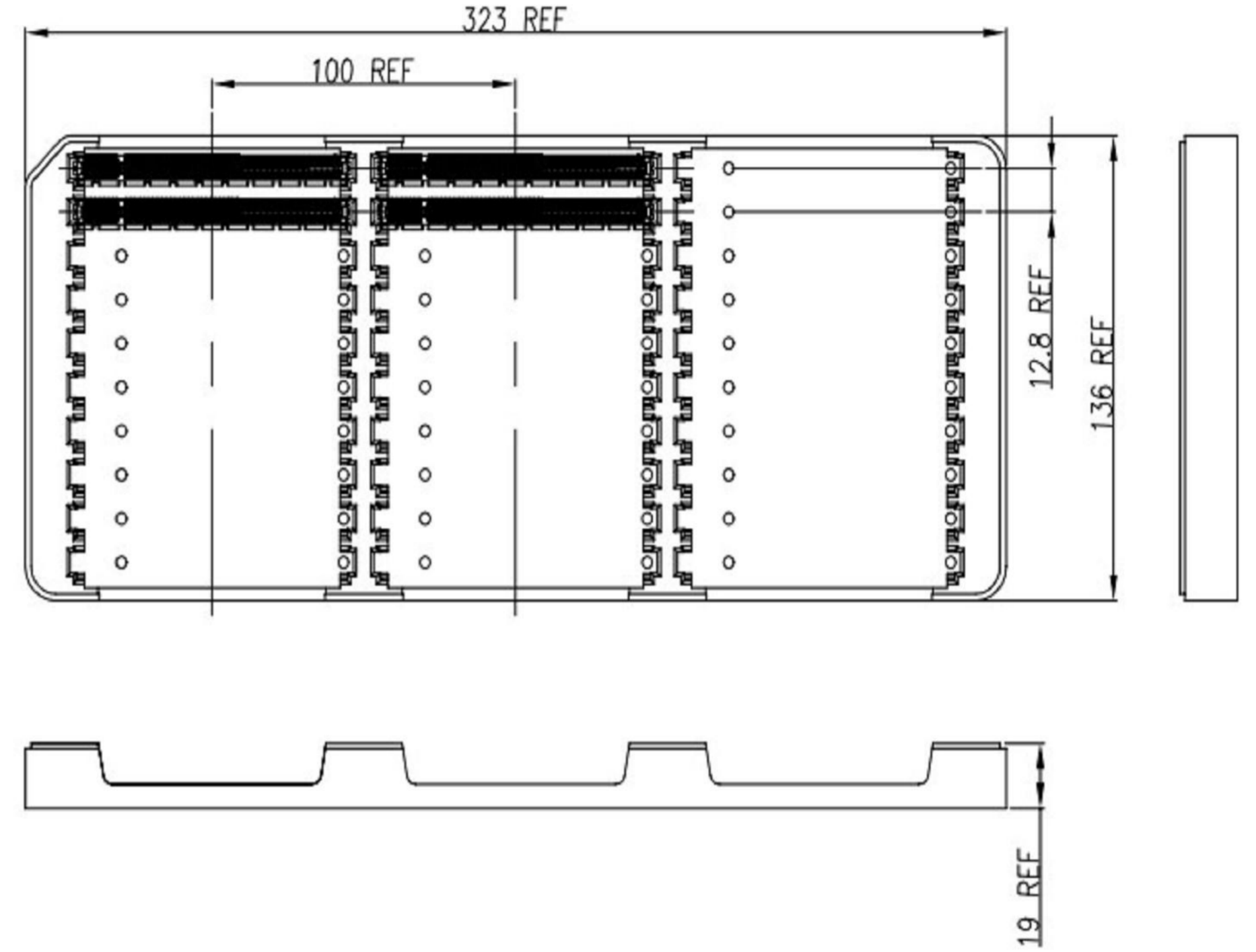
THIS DRAWING IS A CONTROLLED DOCUMENT.		DWN SANDERS, YAN 22OCT2019	TE Connectivity	
		CHK MIKE, CHEN 22OCT2019		
DIMENSIONS: mm		APVD HOPE, LU 22OCT2019	NAME PCI EXPRESS CARD EDGE CONNECTOR GEN5, STD	
TOLERANCES UNLESS OTHERWISE SPECIFIED:		PRODUCT SPEC 108-160247	SIZE CAGE CODE DRAWING NO RESTRICTED TO	
0 PLC ±	1 PLC ±0.3	APPLICATION SPEC	A200779 C-2364427	
2 PLC ±0.20	3 PLC ±0.050	WEIGHT	SCALE 4:1 SHEET 5 OF 7 REV D1	
4 PLC ±	ANGLES ±	CUSTOMER DRAWING		
MATERIAL	FINISH			

THIS DRAWING IS UNPUBLISHED. RELEASED FOR PUBLICATION 20
 © COPYRIGHT 20 BY - ALL RIGHTS RESERVED.

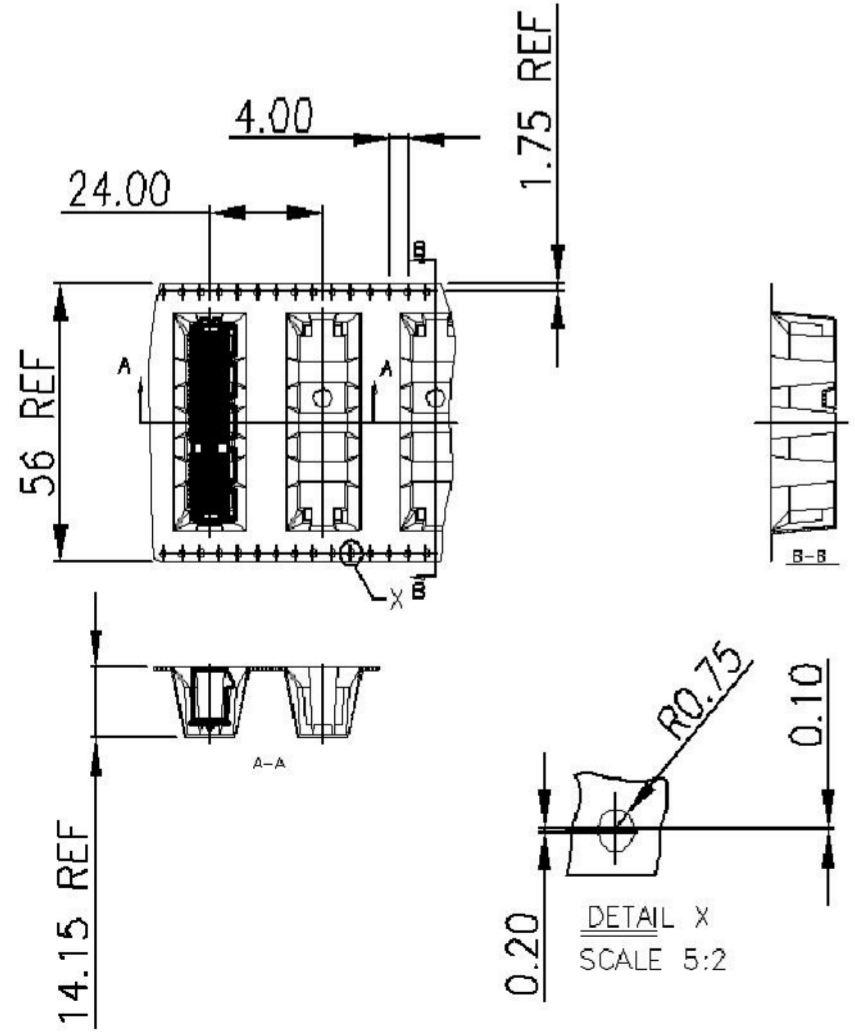
REVISIONS				
P	LTR	DESCRIPTION	DATE	APVD
-	-	SEE SHEET 1	-	-



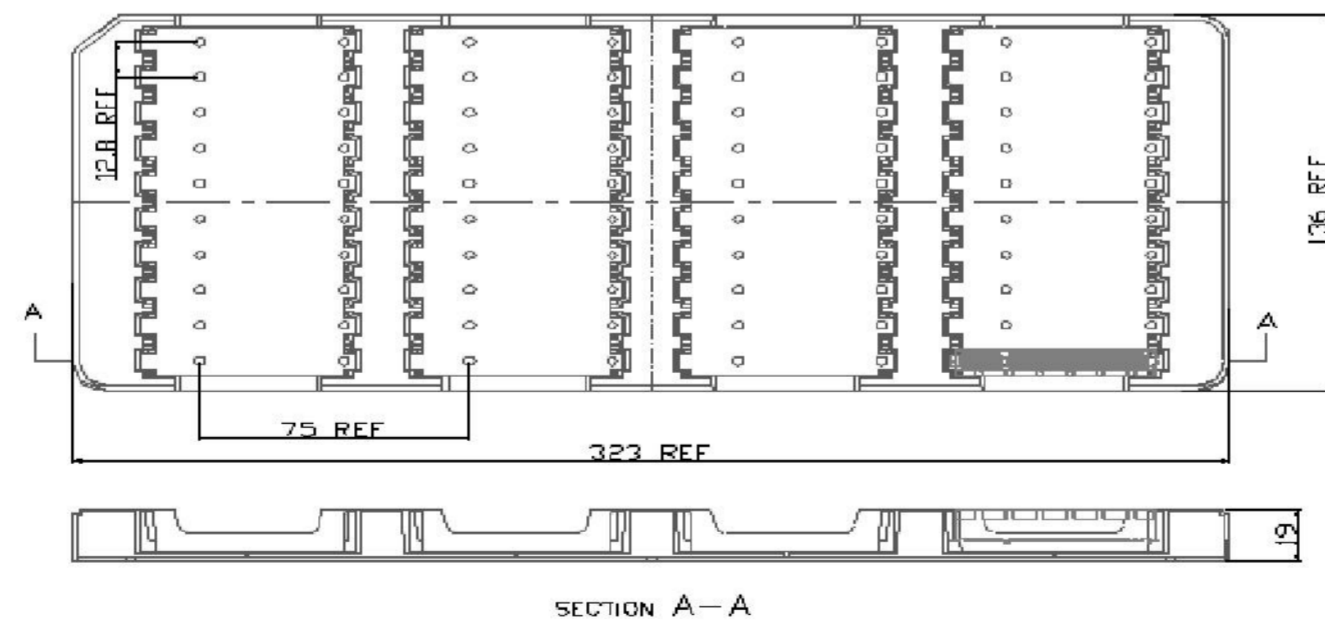
SOFT TRAY: FOR 64POS
SCALE: 1:2



HARD TRAY: FOR 6-2364427-8/9 AND 4-2364427-9 (164POS)
SCALE: 1:2



TAPE & REEL: FOR 6-2364427-6 (64POS)
SCALE: 1:2

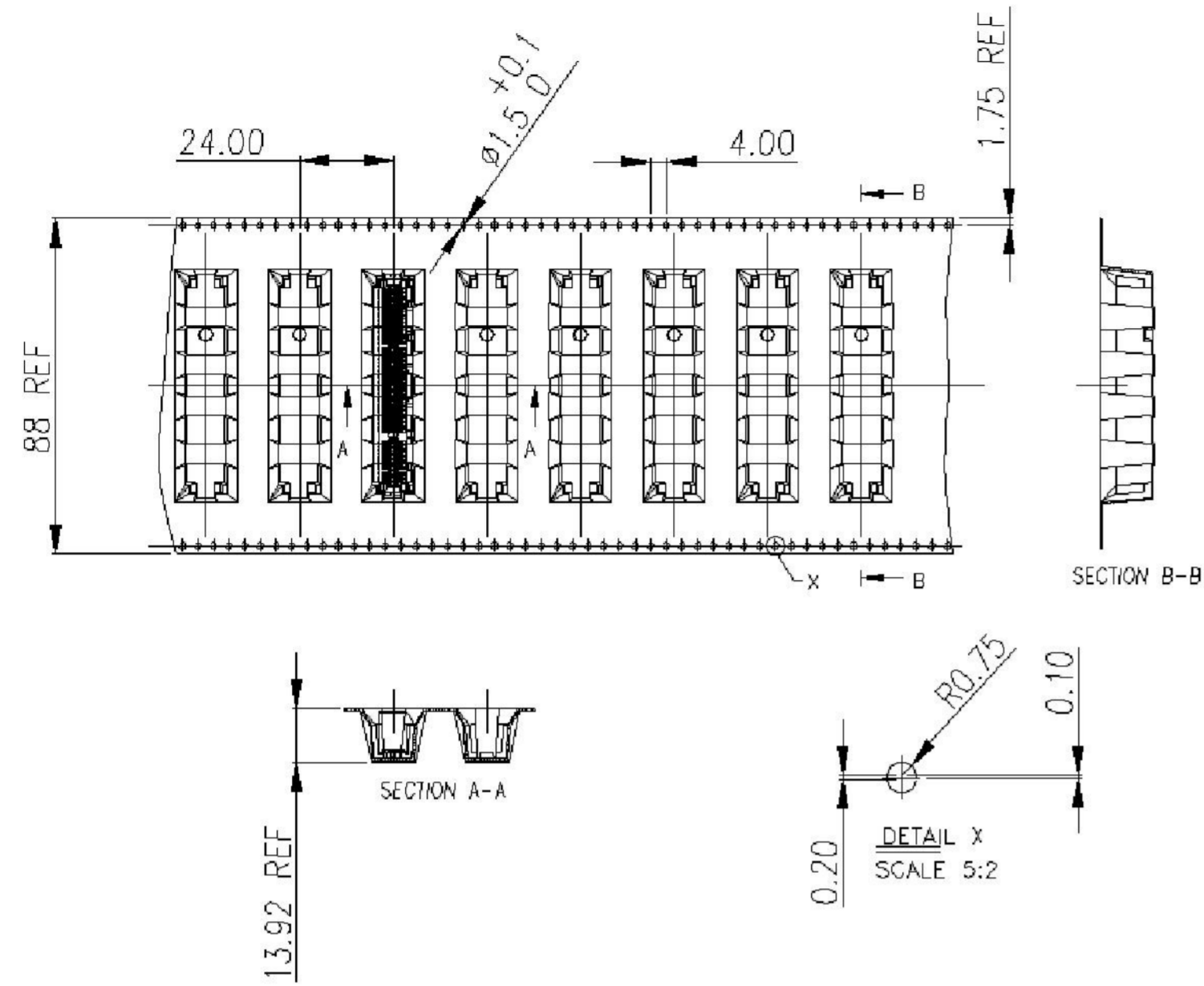


HARD TRAY: FOR 6-2364427-7 (98POS) SCALE: 1:2

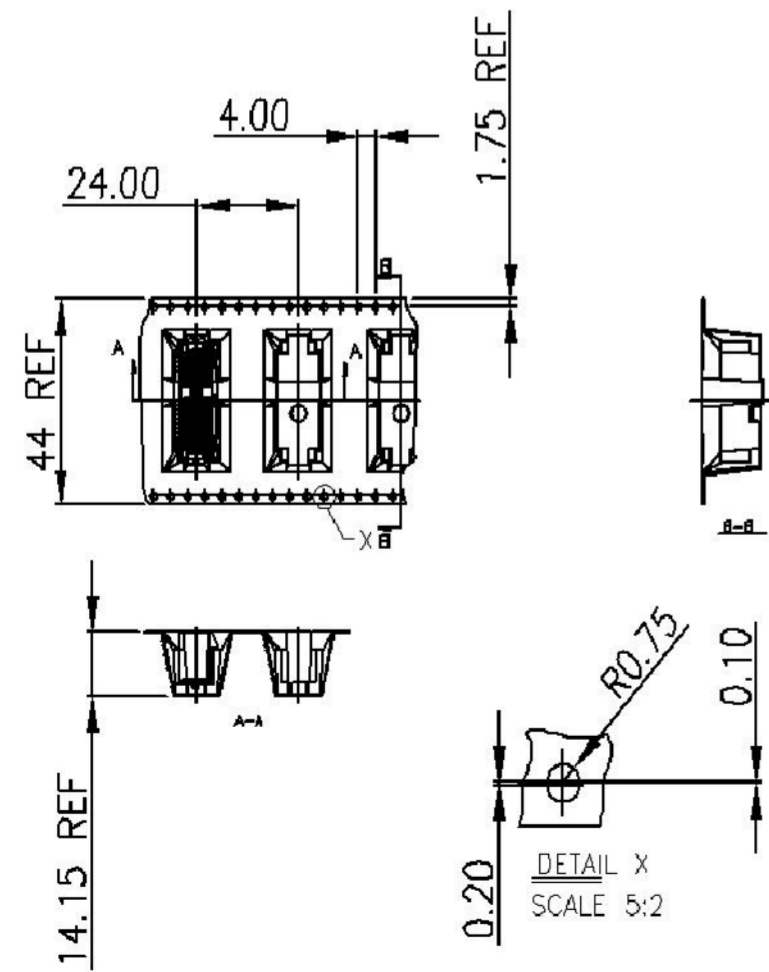
THIS DRAWING IS A CONTROLLED DOCUMENT.		DWN SANDERS, YAN 22OCT2019	TE Connectivity	
DIMENSIONS: mm		CHK MIKE, CHEN 22OCT2019		
TOLERANCES UNLESS OTHERWISE SPECIFIED:		APVD HOPE, LU 22OCT2019	NAME PCI EXPRESS CARD EDGE CONNECTOR GEN5, STD	
0 PLC ±		PRODUCT SPEC 108-160247	SIZE CAGE CODE DRAWING NO RESTRICTED TO	
1 PLC ±0.3		APPLICATION SPEC -	A200779 C-2364427	
2 PLC ±0.20		WEIGHT -	SCALE 4:1 SHEET 6 OF 7 REV D1	
3 PLC ±0.050		CUSTOMER DRAWING		
4 PLC ±				
ANGLES ±				
FINISH -				

THIS DRAWING IS UNPUBLISHED. RELEASED FOR PUBLICATION 20
 © COPYRIGHT 20 BY - ALL RIGHTS RESERVED.

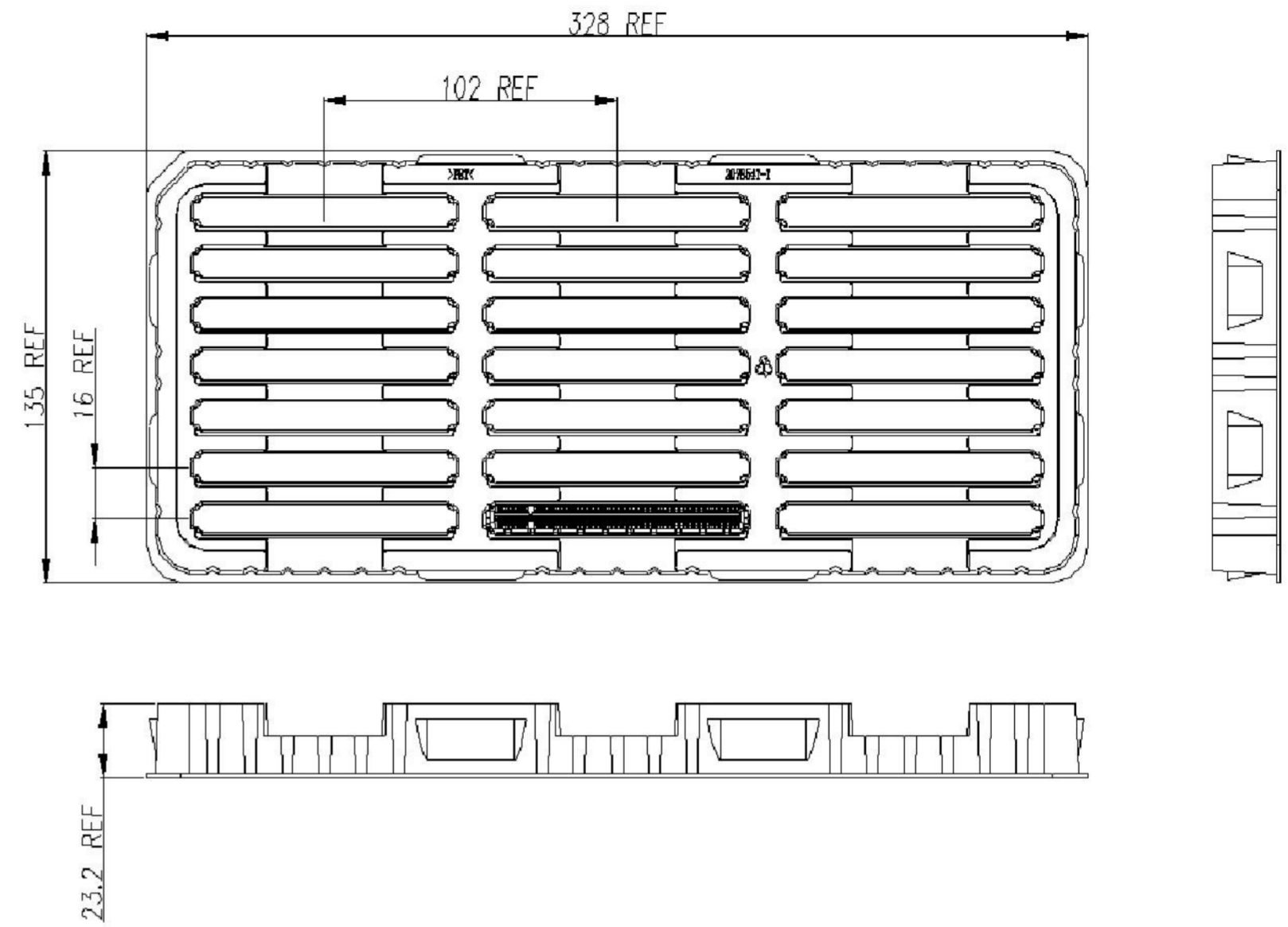
REVISIONS				
P	LTR	DESCRIPTION	DATE	APVD
-	-	SEE SHEET 1	-	-




TAPE & REEL: FOR 7-2364427-7 AND 7-2364427-9 (98POS)
 SCALE: 1:2



TAPE & REEL: FOR 6-2364427-5 (36POS)
 SCALE: 1:2



SOFT TRAY: FOR 7-2364427-8 (164POS)
 SCALE: 1:2

THIS DRAWING IS A CONTROLLED DOCUMENT.		DWN SANDERS, YAN 22OCT2019	 TE Connectivity	
DIMENSIONS: mm		CHK MIKE, CHEN 22OCT2019		
TOLERANCES UNLESS OTHERWISE SPECIFIED:		APVD HOPE, LU 22OCT2019	NAME PCI EXPRESS CARD EDGE CONNECTOR GEN5, STD	
0 PLC ±	1 PLC ±0.3	PRODUCT SPEC 108-160247	SIZE CAGE CODE DRAWING NO RESTRICTED TO	
2 PLC ±0.20	3 PLC ±0.050	APPLICATION SPEC -	A200779 C-2364427	
4 PLC ±	ANGLES ±	WEIGHT -	SCALE 6:1 SHEET 7 OF 7 REV D1	
MATERIAL -		CUSTOMER DRAWING		