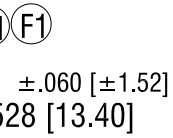
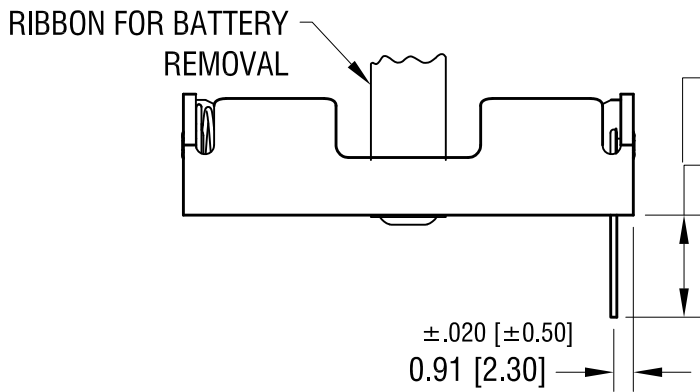
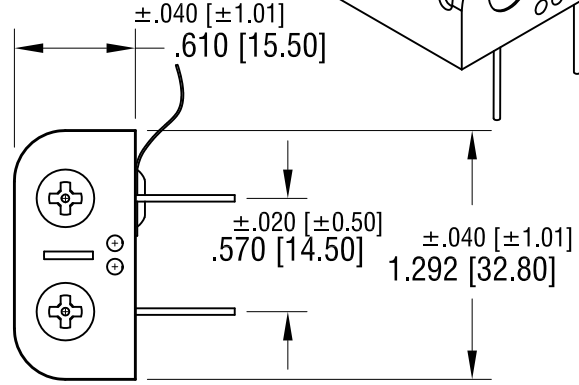
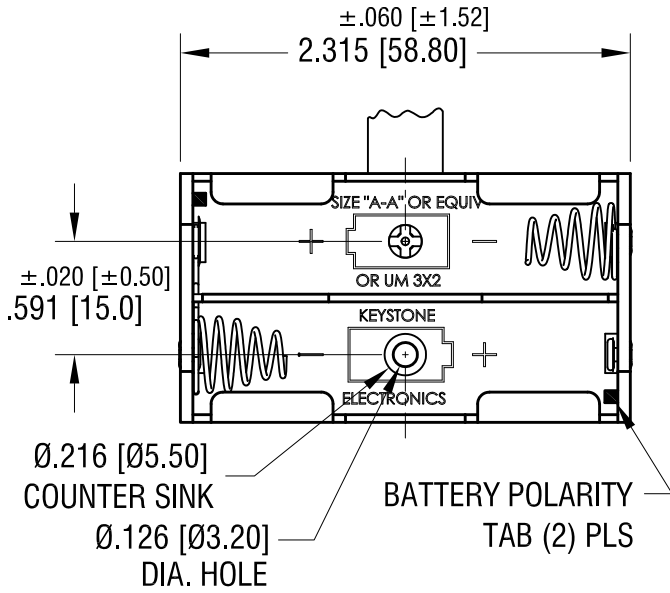
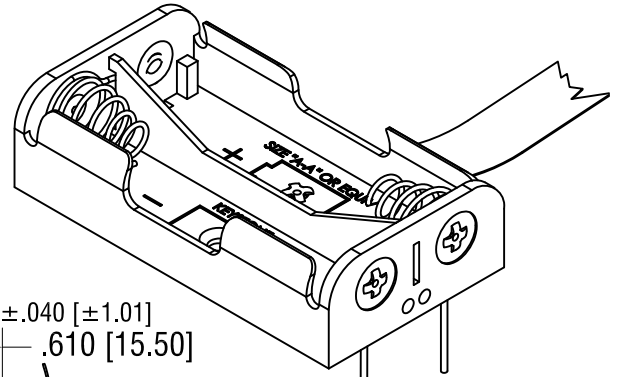
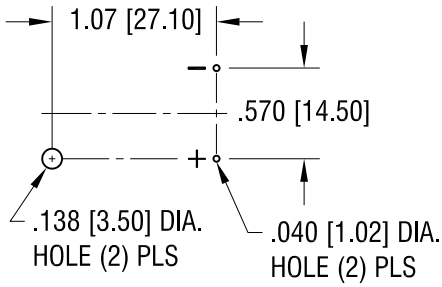


THIS DOCUMENT IS THE PROPERTY OF KEYSTONE ELECTRONICS CORP. AND SHALL NOT BE REPRODUCED, DISTRIBUTED OR USED AS A BASIS FOR MANUFACTURE WITHOUT PRIOR WRITTEN PERMISSION FROM KEYSTONE ELECTRONICS CORP.

**MOUNTING DETAIL**



**NOTE:**  
 1. HOLDER: MAT'L: POLYPROPYLENE  
 SPRING: MAT'L: MUSIC WIRE, .025 [0.63] DIA.  
 PC TERMINALS: MAT'L: BRASS, .032 [0.81] DIA.  
 RIBBON: MAT'L: NYLON, RED

12.28.20	UPDATE PER INSPECTED SAMPLE ECN 20-099, (F1) WAS .520±.060	F
11.19.19	ECN 19-088, (E1) WAS .472±.060	E
3.29.12	CHANGE AS PER ECN 12-039	D
11.10.11	CHANGE AS PER ECN 11-152	C
5.2.06	ECN 06-026 SPLIT DWG C+M GENERAL TOLERANCE WAS .015	B
4.7.04	ECN 04-045 POLARITY TABS INFO.	A
DATE	DESCRIPTION	REV.

<b>KEYSTONE ELECTRONICS CORP.</b>			
www.keyelco.com • NEW HYDE PARK, NY 11040 • Tel (516) 328-7500			
PART NAME			
PC BATTERY HOLDER (2) 'AA' W/ RIBBON			
MATERIAL			
AS NOTED			
FINISH		DRN BY	DATE
NICKEL PLATE		BOONE	12.01.03
		APP'D	SCALE
		RH	1X
TOLERANCES	INCH [MM]	CODE	DWG NO.
DECIMAL	±.010 [±0.25]	C	<b>2462RB</b>
ANGULAR	± 1°		
UNLESS OTHERWISE SPECIFIED			