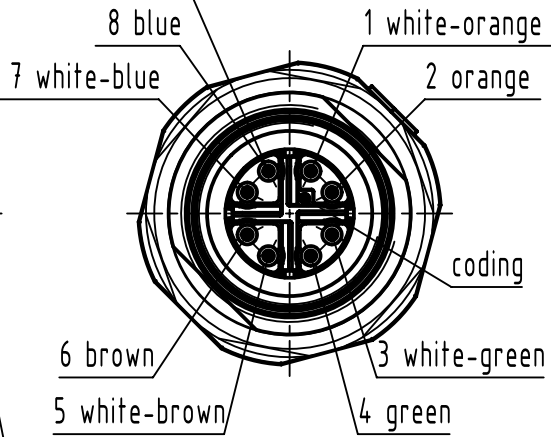


complete length when assembled app. 42

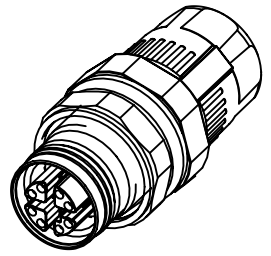
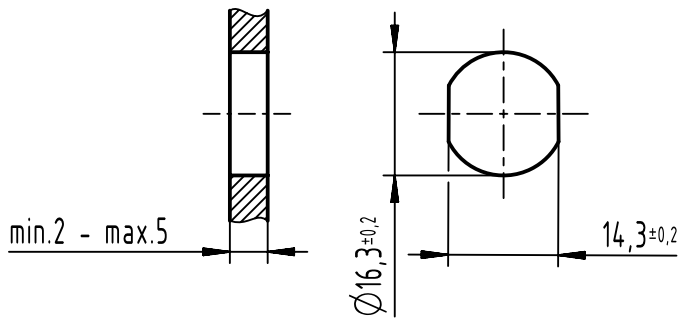
A (2:1)

contact face acc. to IEC 61076-2-109



recommended torque of counter nut: 2Nm
order contacts separately

cable Ø			wire gauge	part-no.
5,7 - 6,9mm	6,5 - 7,7mm	7,5 - 8,8mm		
sealing			AWG 28-24	21 01 100 9023
A	B	C	AWG 26-23	21 01 100 9021



	All Dimensions in mm Original Size DIN A4		Scale 1:1	Free size tol.		Ref.
	All rights reserved		Created by BALSAN	Inspected by FARCASIU	Standardisation 302077	Sub.
Department EL PD		Title PFT Slim design female X-coded			Date 2021-01-12	State Final Release
HARTING D-32339 Espelkamp		Type TB			Number 21038812825	Doc-Key / ECM-Nr. 100622656/UGD/001/L 500000187051
					Rev. L	Page 1/1