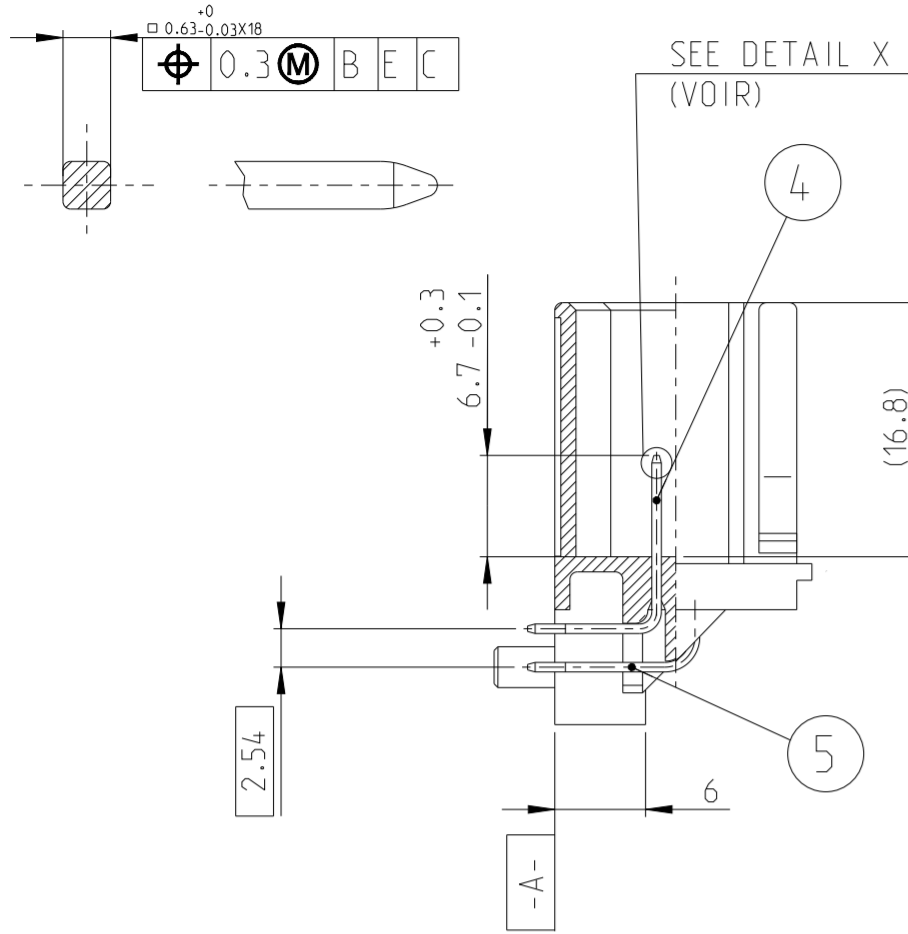


DETAIL X

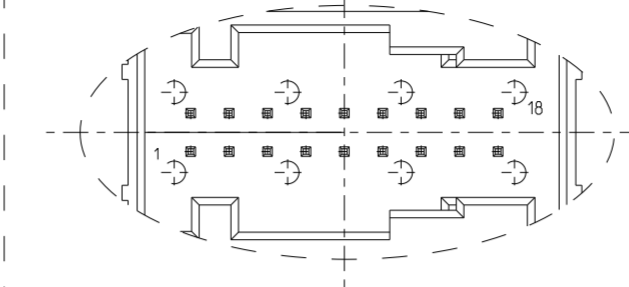
SCALE(ECH.) 10:1



SEE DETAIL X (VOIR)

DETAIL W

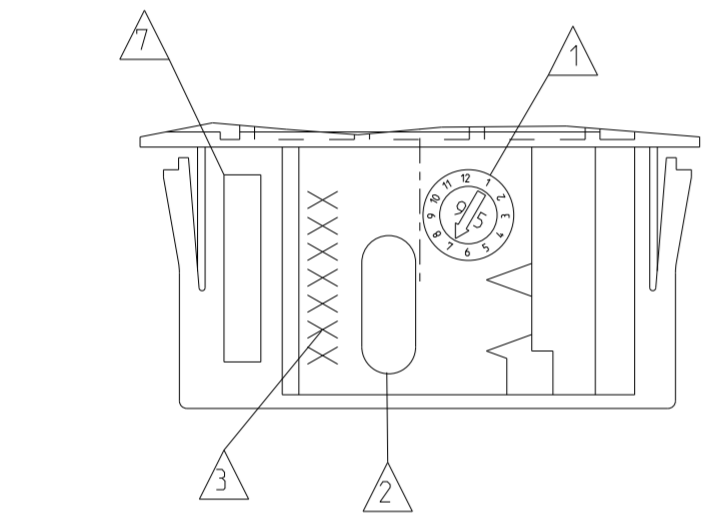
OTHER FORM POSSIBLE (AUTRE FORME POSSIBLE)



REVISIONS					
P	LTR	DESCRIPTION	DATE	DWN	APVD
L		UPDATE THE DRAWING AND ADD NEW P/N 1-1379731-1	03MAR2020	RSR	J.L
M		OBS. 185680-1/-2, 1379731-2 AND 6-1379731-2	20AUG21	MN	GP

NOTES:

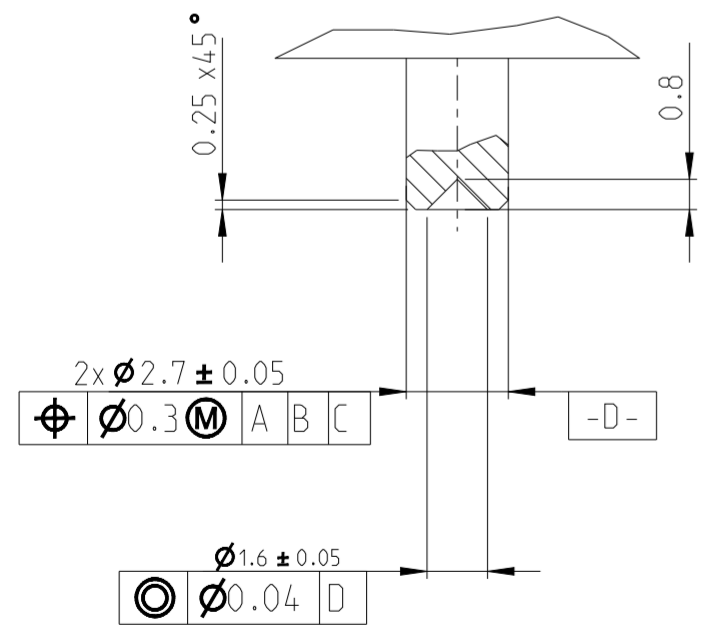
- 1 PRODUCTION DATE OF PLASTIC PART  
DATE PRODUCTION DU BOITIER PLASTIQUE
- 2 TE LOGO  
LOGO DE TE
- 3 ASSEMBLY PART NUMBER  
REFERENCE DU PRODUIT ASSEMBLE
- 4 MOLD STATUS REVISION  
INDICE REVISION DU MOULE
- 5 MOLD CAVITY IDENTIFICATION NUMBER  
NUMERO D'EMPREINTE DU MOULE
- 6 PLASTIC MATERIAL IDENTIFICATION  
IDENTIFICATION DE LA MATIERE PLASTIQUE
- 7 ASSEMBLY DATE MARKING  
MARQUAGE DE DATE D'ASSEMBLAGE
- 8 CAPABILITY DIMENSION FOR THE TOOLINGS QUALIFICATION ONLY  
COTE DE CAPABILITE UNIQUEMENT POUR LA QUALIFICATION D'OUTILLAGES
- 9 ONLY COMPATIBLE WITH THE CONNECTORS UNDER P/Ns : 185307-X ; 185315-X  
COMPATIBLE UNIQUEMENT AVEC LES CONNECTEURS SOUS REF. : 185307-X ; 185315-X
- 10 TRAY-PACKAGING FOR MANUAL OPERATION ACC. TO V-SPEC. V1379731
- 11 TRAY-PACKAGING FOR AUTOMATIC OPERATION ACC. TO V-SPEC. V1379731



**OBSOLETE**

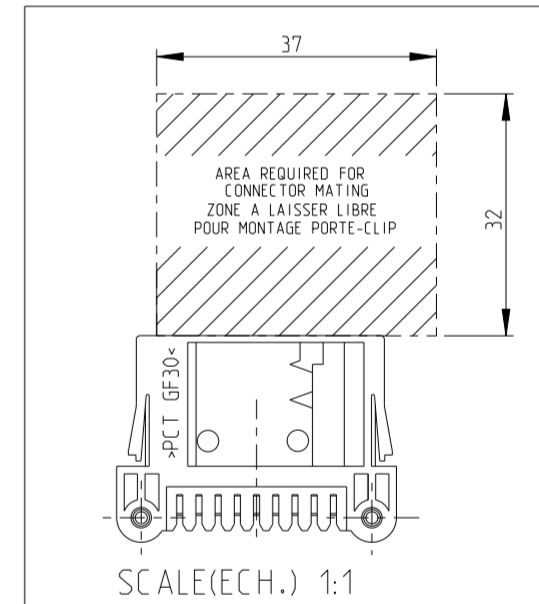
DETAIL Y

Scale(Ech.) 5:1



DETAIL Z

SCALE(ECH.) 20:1



SCALE(ECH.) 1:1

ASSY P/N REF. ASSEMBLEE	1	2	3	4	5	6	7	8	9	10	PACKAGING IN TRAY THERMO. CONDITIONNEMENT EN PLATEAU THERMO.	PACKAGING IN STICK CONDITIONNEMENT EN TUBE
185680-1	X	X	X	X	X						X	
185680-2												X
1379731-1												X
1379731-2												X
1379731-3												X
6-1379731-1												X
6-1379731-2												X
6-1379731-3												X
1-1379731-1												X

QTY/QTE	P/N TO BE MARKED REF. A MARQUER	3	"L"	MATERIAL MATIERE	DESIGNATION	COLOR/FINISH COULEUR/FINITION	REP.
				CuSn6	LONG PIN MQS CONTACT LONG MQS	POST TIN PLATED POST-ETAME	5
					SHORT PIN MQS CONTACT COURT MQS		4
					LONG PIN MQS CONTACT LONG MQS		5
					SHORT PIN MQS CONTACT COURT MQS		4
	1379731			PCT GF30	HOUSING CODING 3 EMBASE CODAGE 3	BLUE BLEU	3
					HOUSING CODING 2 EMBASE CODAGE 2	WHITE BLANC	2
					HOUSING CODING 1 EMBASE CODAGE 1	BLACK NOIR	1
	185680				HOUSING CODING 2 EMBASE CODAGE 2	WHITE BLANC	2
					HOUSING CODING 1 EMBASE CODAGE 1	BLACK NOIR	1

THIS DRAWING IS A CONTROLLED DOCUMENT.	DWN S. IVANOVIC 03MAY96	CHK J. LAQUERBE 26JUN97	APVD J. REVIL 26JUN97	NAME 18W MQS HEADER BENT LEFT WITH CRESSING PIN EMBASE 18V MQS COUDEE G AVEC PION
DIMENSIONS: mm	TOLERANCES UNLESS OTHERWISE SPECIFIED:	0-PLC ±0.3	1-PLC ±0.3	2-PLC ±0.3
		3-PLC ±0.3	4-PLC ±0.3	ANGLES ±5°
MATERIAL				RESTRICTED TO

**CODING / DETROMPAGE**

**OBSOLETE**

BLACK/NOIR  
**OBSOLETE** 185680-1  
1379731-1  
6-1379731-1  
1-1379731-1

WHITE/BLANC  
185680-2  
1379731-2  
6-1379731-2

BLUE (BLEU)  
1379731-3  
6-1379731-3

SCALE 2:1 SHEET 1 OF 1 REV M