

Data sheet BACnet IP / BACnet MS/TP Router

Page 1/3

P/N
11080001

EAN 4250184158875

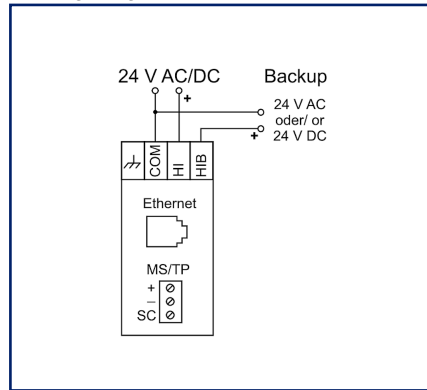
2022/07/29

Version: A

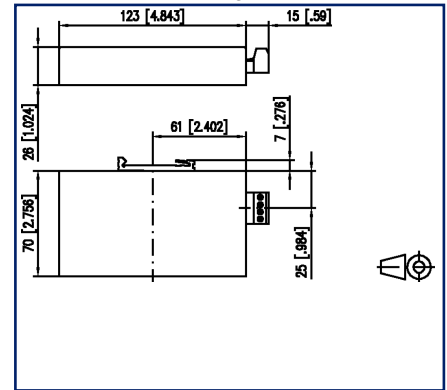
Illustrations



Wiring diagram



Dimensional drawing



See enlarged drawings at the end of document

Product specification

The BACnet IP / BACnet MS/TP Router provides stand-alone routing between BACnet networks such as BACnet/IP, BACnet Ethernet, and BACnet MS/TP - thereby allowing the system integrator to mix BACnet network technologies within a single BACnet internetwork. One 10/100 Mbps Ethernet port and an MS/TP port are used as communication interface to the respective BACnet networks. An integrated web server allows the configuration, status monitoring, and troubleshooting.

Data sheet
BACnet IP / BACnet MS/TP Router

Page 2/3

P/N
11080001

EAN 4250184158875

2022/07/29

Version: A

Technical Data**Supply**

Operating voltage 24 V AC/DC

Material

Color black

REACH compliant

REACH - substance (SVHC) Lead / 7439-92-1

Classifications

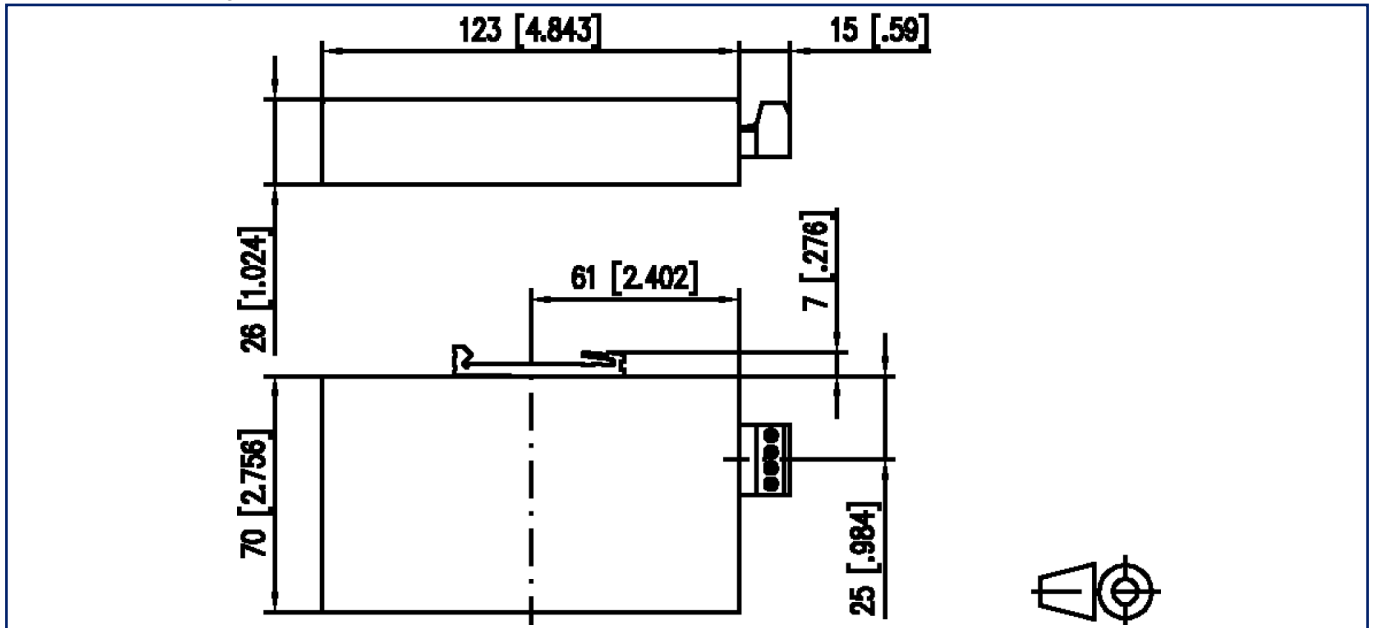
ETIM 7.0 EC001099

ETIM 8.0 EC001099



Illustrations

Dimensional drawing



Wiring diagram

