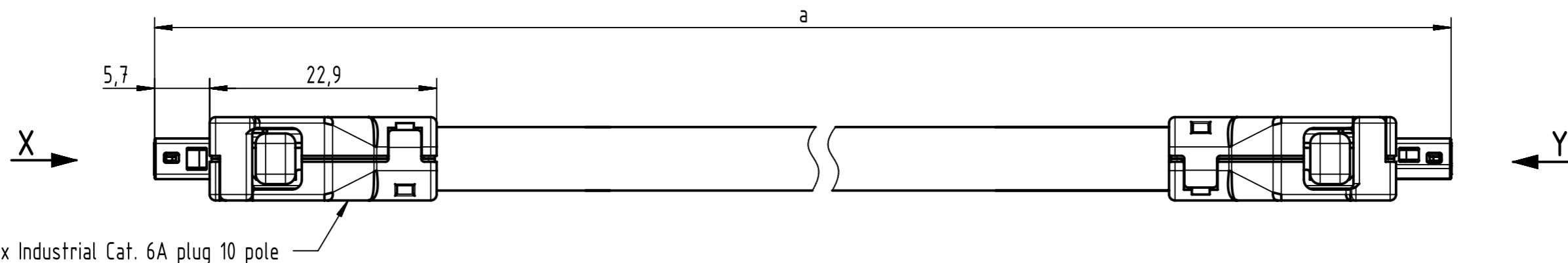
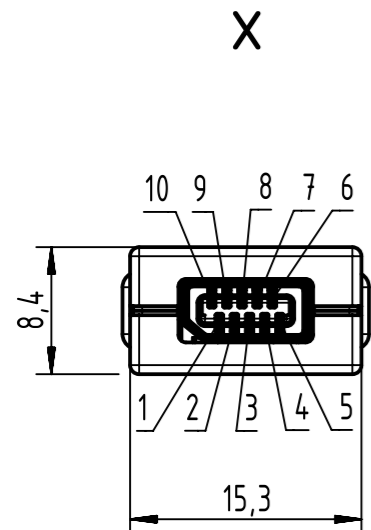


Connector Location A

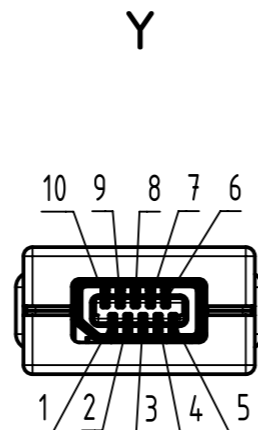
Connector Location B



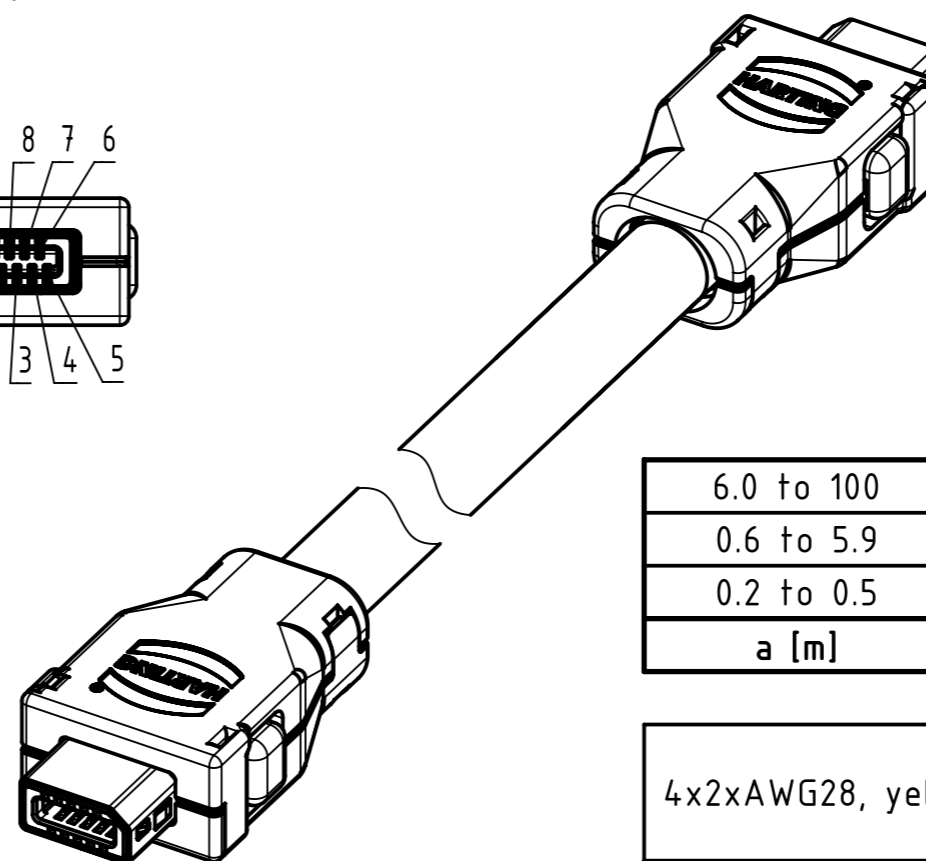
Loading-Plan
acc. to TIA/EIA 568B



Shield	
1	white/orange
2	orange
4	blue
5	white/blue
6	white/green
7	green
9	white/brown
10	brown



Contacts 3 and 8 are not connected on both side



6.0 to 100	±1%
0.6 to 5.9	+0.04
0.2 to 0.5	+0.02
a [m]	Tolerance

length in "1m" step	100	XXX=000
	99	XXX=990
	.	.
	12	XXX=120
length in "0.1m" step	11	XXX=110
	10	XXX=100
	9.9	XXX=099
	9.8	XXX=098
	.	.
	0.5	XXX=005
	0.4	XXX=004
	0.3	XXX=003
0.2	XXX=002	
Step	a [m]	XXX

4x2xAWG28, yellow, PVC, Cat. 6A

09482626749XXX

Type of cable

Part no.

- Temperature range: -40°C...+80°C

	All rights reserved	Created by MUNTEANV	Inspected by POPESCU	Standardisation AVRAM	Date 2016-10-27	State Final Release	
	Department HCS - RO	Title HARTING ix Industrial Cable Assembly				Doc-Key / ECM-Nr. 100695544/UGD/000/A 500000110784	
HARTING Customised Solutions D-32427 Minden		Type TB	Number 09482626749XXX			Rev. A	Page 1/1