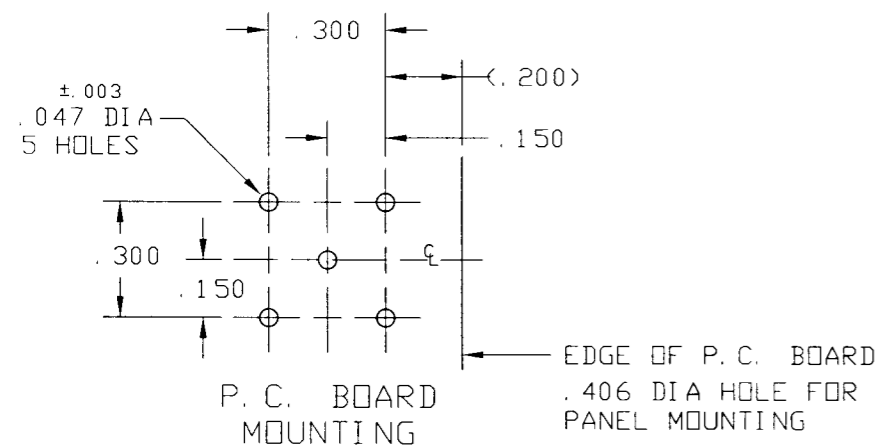
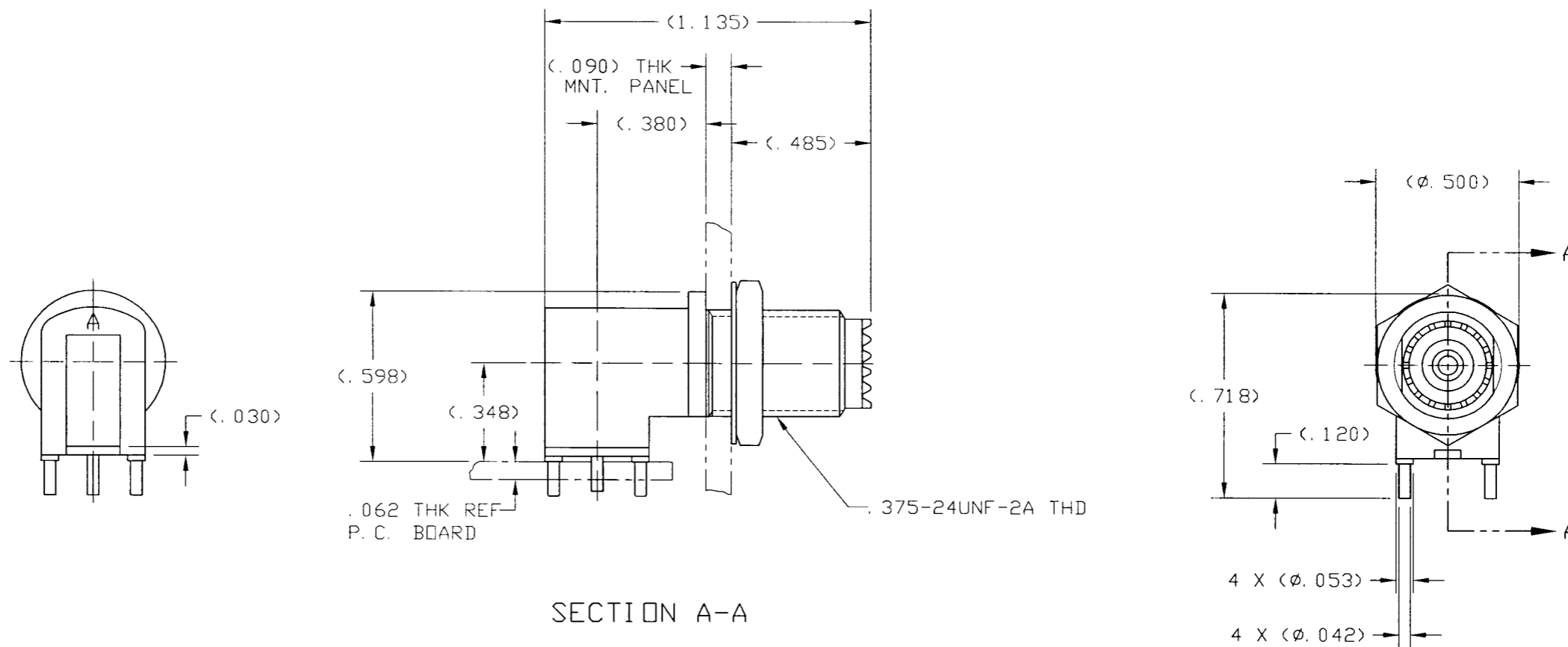


NOTES:

- MATERIALS OF CONSTRUCTION:
 BODY = ZINC DIE CAST, TIN PLATED
 CONTACT = PHOSPHOR BRONZE, GOLD PLATED
 END PLATE = BRASS, NICKEL PLATED
 HEX NUT = BRASS, TIN PLATED
 LOCKWASHER = SPRING STEEL, TIN PLATED
 INSULATOR & SPACER = PTFE
 INSULATOR = TPX
- PACKAGE CONNECTORS 100 PER BOX.
- DO NOT SCALE THIS DRAWING.

81-119-1010		REVISIONS			
DRAWING NO.	REV	DESCRIPTION	DATE	ECO	APPR
THIRD ANGLE PROJ.	A	RELEASE TO MFG.	1/6/00	43219	CPM



CUSTOMER OUTLINE DRAWING

UNLESS OTHERWISE SPECIFIED, DIMENSIONS ARE IN INCHES AND TOLERANCES ARE: 2 PLACE DECIMAL ±.015 (0,381 mm) 3 PLACE DECIMAL ±.005 (0,127 mm) ANGLES ± 1°	MATERIAL	DRAWN C. McGRATH	DATE 1/5/00	TITLE MINI UHF FOR P. C. PANEL MOUNT	Amphenol Amphenol Corporation RF/Microwave Operations Danbury, Conn. U.S.A. 06810		
	REFERENCE EAR 967438-0	ENGINEER T. AUBIN	DATE 1/5/00			SCALE: 2:1	SHEET 2 OF 2
NOTICE - These drawings, specifications, or other data (1) are, and remain the property of Amphenol Corp. (2) must be returned upon request; and (3) are confidential and not to be disclosed to any person other than those to whom they are given by Amphenol Corp. The furnishing of these drawings, specifications, or other data by Amphenol Corp., or to any other person to anyone for any purpose is not to be regarded by implication or otherwise in any manner licensing, granting rights or permitting such holder or any other person to manufacture, use or sell any product, process or design, patented or otherwise, that may in any way be related to or disclosed by said drawings, specifications, or other data.		APPROVED 	DATE 1/6/00	CODE ID 74868	DWG SIZE B	DRAWING NO. 81-119-1010	REV A
			CAD FILE H:\DEPT611\MUHF\081\ASSY\119\1010SH2				