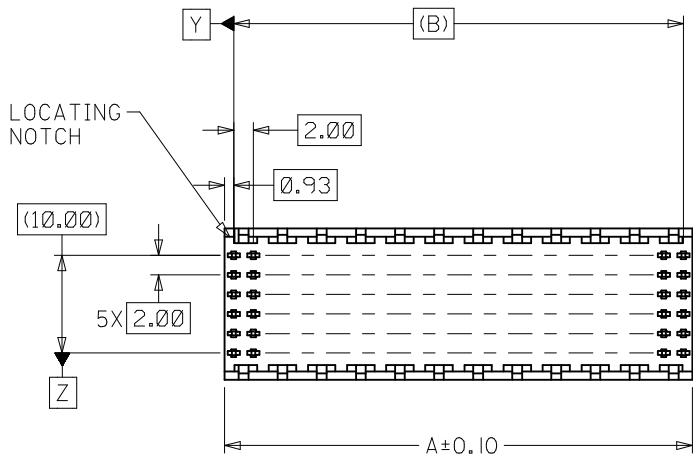
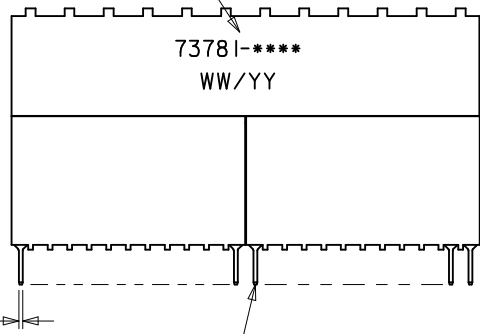


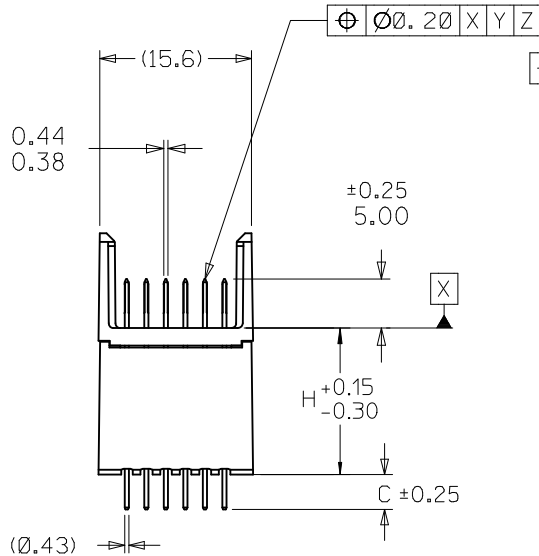
- NOTES:**
1. MATERIALS: HOUSING-LIQUID CRYSTAL POLYMER (LCP), GLASS-FILLED, UL94V-0, COLOR: BLACK. TERMINAL-PHOSPHOR BRONZE
 2. FINISH:
0.75 MICROMETERS MINIMUM SELECTIVE GOLD (Au) IN MATING AREA
2.50 MICROMETERS MINIMUM SELECTIVE TIN (Sn) IN TAIL AREA
NICKEL (Ni) UNDERPLATE OVERALL.
 3. THIS PART CONFORMS TO MOLEX PRODUCT SPECIFICATION PS-73780-999.
 4. THIS PART CONFORMS TO MOLEX COSMETIC SPECIFICATION PS-45499-002 CLASS C.
 5. PACKAGE PER PK-70873-0870, PK-70873-0871 OR PK-70873-0875.
 6. PARTS MARKED WITH PART NUMBER AND DATE CODE APPROXIMATELY WHERE SHOWN.



SEE NOTE 6



0.44
0.38

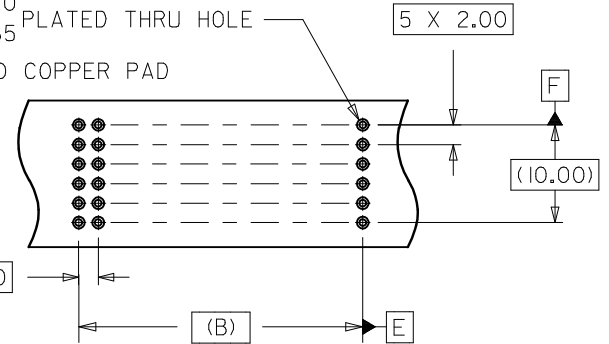


⊕ ⌀0.15 (M) E F

Ø 0.838 DRILL

Ø 0.80
Ø 0.65 PLATED THRU HOLE

Ø 1.20 COPPER PAD



BACKPLANE HOLE PATTERN

⊕ ⌀0.15 (M) X Y Z

REVISE H DIM TOL EC NO: UCP2008-3186 DRAWN: SPANNELLY 2008/07/29 CHKD: MSIBARRA 2008/09/11 APPR: SMILLER 2008/09/16	QUALITY SYMBOLS	GENERAL TOLERANCES (UNLESS SPECIFIED)	DIMENSION STYLE	SCALE	DESIGN UNITS	THIRD ANGLE PROJECTION
	▼=0 ▽=0	mm INCH 4 PLACES ± --- ± --- 3 PLACES ± --- ± --- 2 PLACES ± 0.05 ± --- 1 PLACE ± 0.10 ± --- ANGULAR ± 1/2°	MM ONLY	2:1	METRIC	⊕ ▽ THIRD ANGLE PROJECTION
	DESCRIPTION	DRAFT WHERE APPLICABLE MUST REMAIN WITHIN DIMENSIONS	DRAWN BY DATE JB INGHAM 1997/04/25 CHECKED BY DATE SREED 1997/04/25 APPROVED BY DATE CBIXLER 1997/04/25	TITLE	HDM BACKPLANE STACKING MODULE, OPEN END SOLDER SALES ASSEMBLY	
	H REV		MATERIAL NO.	SEE TABLE	DOCUMENT NO.	MOLEX INCORPORATED SD-73781-001
			SIZE B	THIS DRAWING CONTAINS INFORMATION THAT IS PROPRIETARY TO MOLEX INCORPORATED AND SHOULD NOT BE USED WITHOUT WRITTEN PERMISSION		
					SHEET NO.	1 OF 2

MATERIAL NUMBER ASSIGNMENT

73781-* * 0 0

NUMBER	CIRCUIT SIZE	DIM "A"	DIM "B"	DIM "C"
0	72	23.84	22.00	2.0
1	144	47.84	46.00	2.0
2	72	23.84	22.00	2.5
3	144	47.84	46.00	2.5
4	72	23.84	22.00	3.0
5	144	47.84	46.00	3.0
6	72	23.84	22.00	3.5
7	144	47.84	46.00	3.5

NUMBER	DIM "H"
1	15.05
2	6.05
3	10.05



REVISE H DIM TOL EC NO: UCP2008-3186 DRWN: SPANNELLY 2008/07/29 CHK: MSIBARRA 2008/09/11 APPR: SMILLER 2008/09/16	QUALITY SYMBOLS	GENERAL TOLERANCES (UNLESS SPECIFIED)		DIMENSION STYLE MM ONLY		SCALE 1:1	DESIGN UNITS METRIC	THIRD ANGLE PROJECTION		
	▼=0 ▽=0	4 PLACES	mm	INCH	DRAWN BY	DATE	TITLE HDM BACKPLANE STACKING MODULE, OPEN END SOLDER SALES ASSEMBLY			
		3 PLACES	±---	±---	CHECKED BY	DATE				
		2 PLACES	±0.05	±---	SREED	1997/04/25	MOLEX INCORPORATED DOCUMENT NO. SD-73781-001 SHEET NO. 2 OF 2			
1 PLACE	±0.10	±---	APPROVED BY	DATE						
		ANGULAR ±1/2°		CBIXLER	1997/04/25					
		DRAFT WHERE APPLICABLE MUST REMAIN WITHIN DIMENSIONS		MATERIAL NO. SEE TABLE						
				SIZE B	THIS DRAWING CONTAINS INFORMATION THAT IS PROPRIETARY TO MOLEX INCORPORATED AND SHOULD NOT BE USED WITHOUT WRITTEN PERMISSION					

MATERIAL NUMBER ASSIGNMENT

73781-* * 0 0

NUMBER	CIRCUIT SIZE	DIM "A"	DIM "B"	DIM "C"
0	72	23.84	22.00	2.0
1	144	47.84	46.00	2.0
2	72	23.84	22.00	2.5
3	144	47.84	46.00	2.5
4	72	23.84	22.00	3.0
5	144	47.84	46.00	3.0
6	72	23.84	22.00	3.5
7	144	47.84	46.00	3.5

NUMBER	DIM "H"
1	15.05
2	6.05
3	10.05

SEE SHEET 1 EC No. LDT2000-1073 DRWN:JBINGHAM 00/05/08 CHK: SREED 00/05/08 APPR:CBIXLER 00/05/08	MAJOR  = 0	CRITICAL  = 0	QUALITY SYMBOLS	GENERAL TOLERANCES: (UNLESS SPECIFIED)	SCALE ---:--	DESIGN UNITS <input checked="" type="checkbox"/> mm <input type="checkbox"/> INCH	DIMENSIONS: <input type="checkbox"/> mm INCH <input type="checkbox"/> INCH mm <input checked="" type="checkbox"/> mm ONLY	SHT REV	
	DRAFT WHERE APPLICABLE MUST REMAIN WITHIN DIMENSIONS	4 PLACES ±0. ±.	3 PLACES ±0. ±.	2 PLACES ±0.N/A ±.	1 PLACE ±0.N±A ±.	DRAWN BY & DATE JBINGHAM 97/04/25	CHECKED BY & DATE SREED 97/04/25	APPROVED BY & DATE CBIXLER 97/04/25	TITLE: SALES ASSEMBLY HDM BACKPLANE STACKING MODULE OPEN END OPTION SOLDETAIL
	ANGLAR: ± °	CAD FILENAME S73781X2.DGN	MATERIAL NO. SEE CHART	DRAWING NO. SD-73781-001	SHEET NO. 2	THIS DRAWING CONTAINS INFORMATION THAT IS PROPRIETARY TO MOLEX INCORPORATED AND SHOULD NOT BE USED WITHOUT WRITTEN PERMISSION.			
	F	REV	SIZE B						