

MATERIALS AND FINISHES

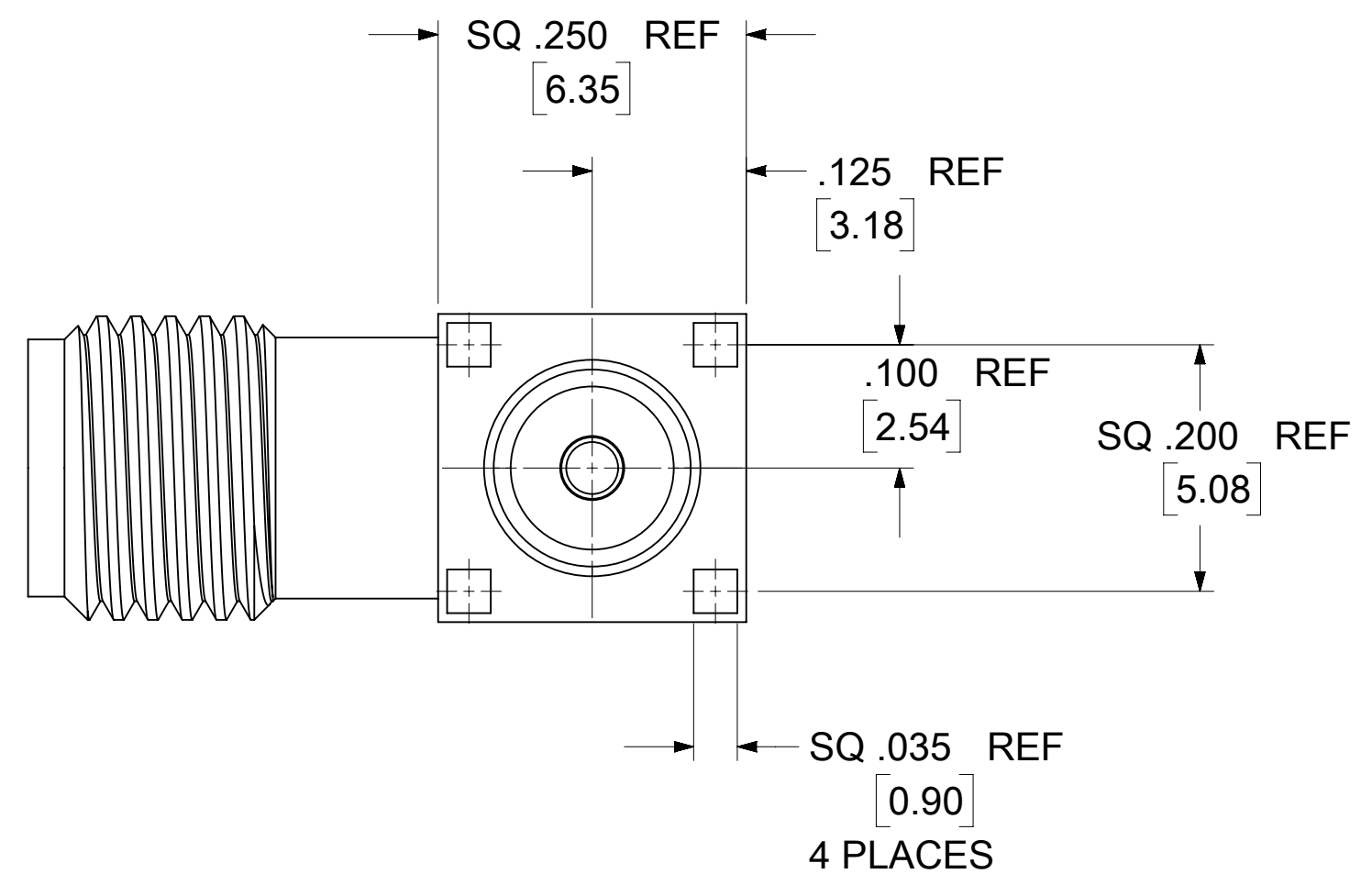
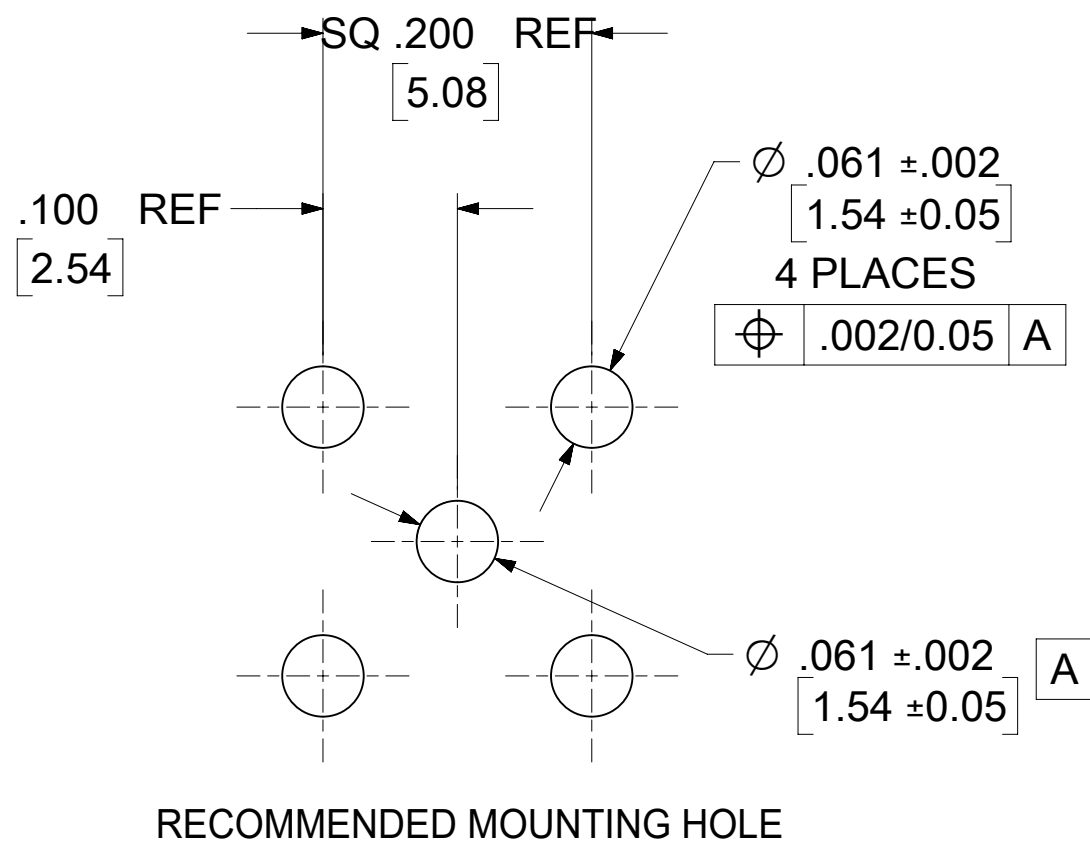
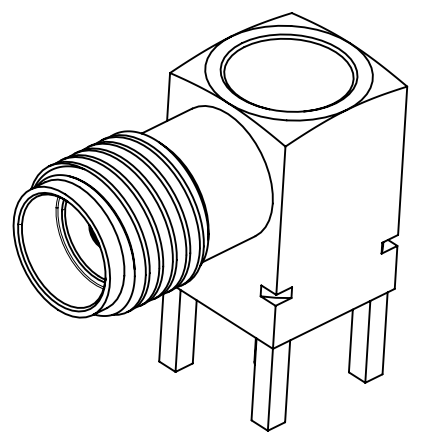
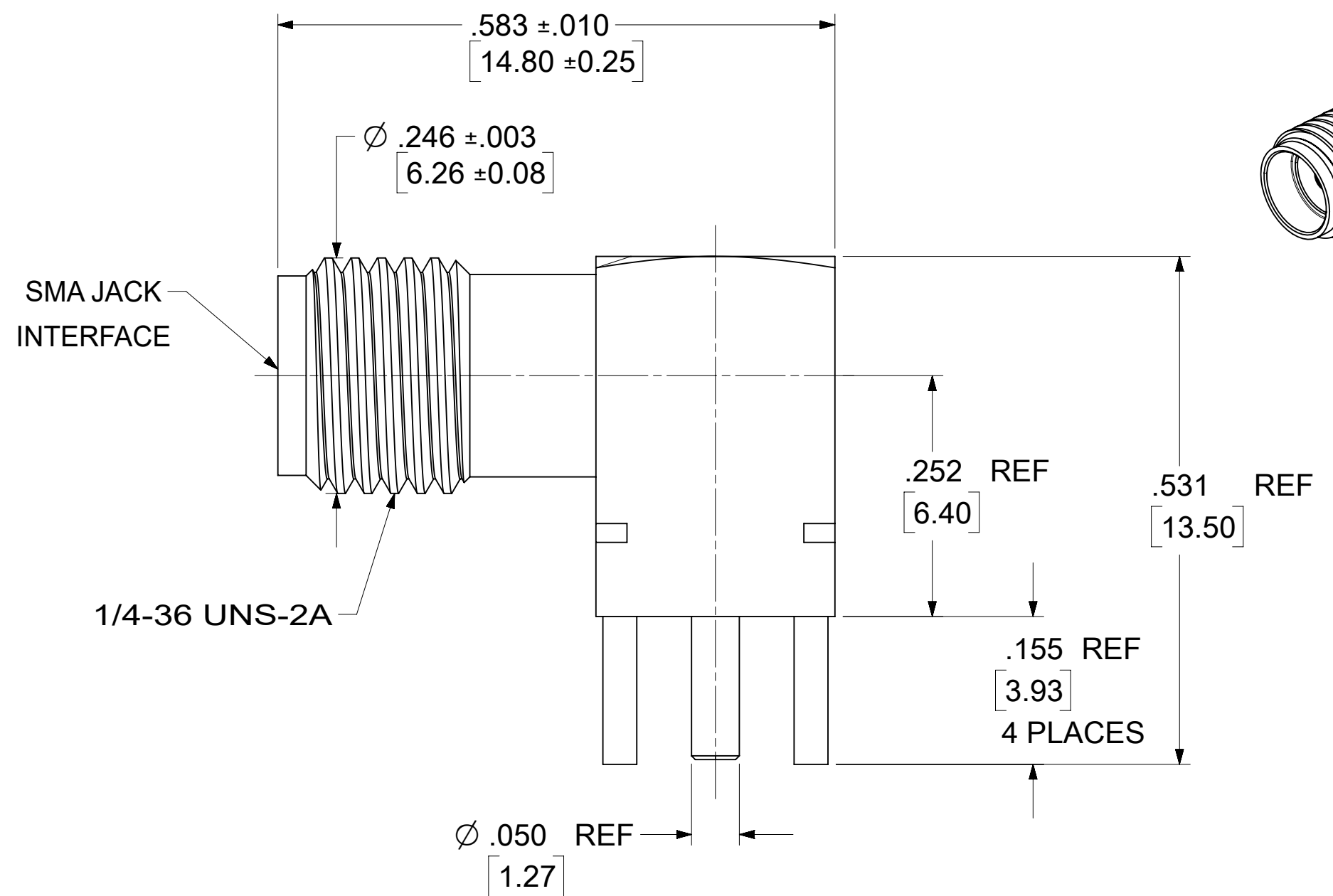
BODY BRASS
PLATED 10u" GOLD

CENTER CONTACT BERYLLIUM COPPER
PLATED 10u" GOLD

PCB CONTACT BRASS
PLATED 10u" GOLD

INSULATOR TEFLON

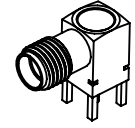
EXCEPTION TO PRODUCT SPECIFICATION
73598-0111: FREQUENCY RANGE: DC TO 12GHz



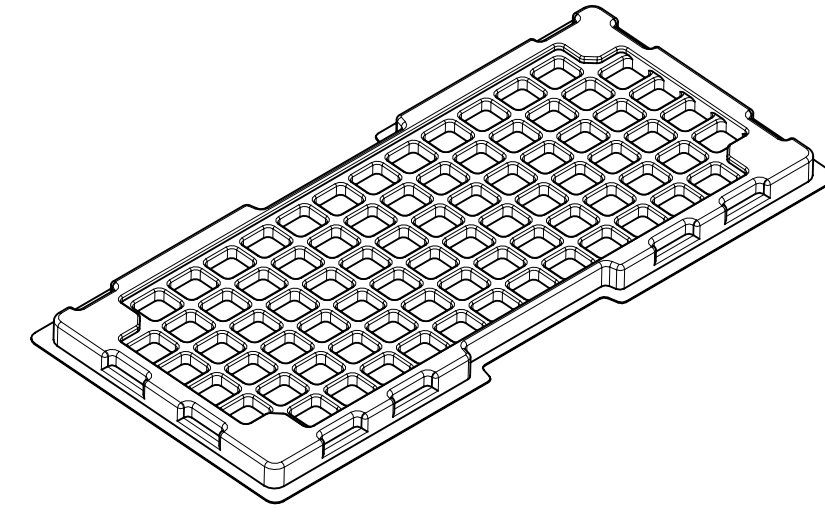
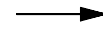
73251-3130	73100-0114, ONE PER BAG
73100-0114	TRAY
PART NO.	PACKAGING

PS-73598-0111	ELEC/MECH PERFORMANCE
SPECIFICATION	DESCRIPTION

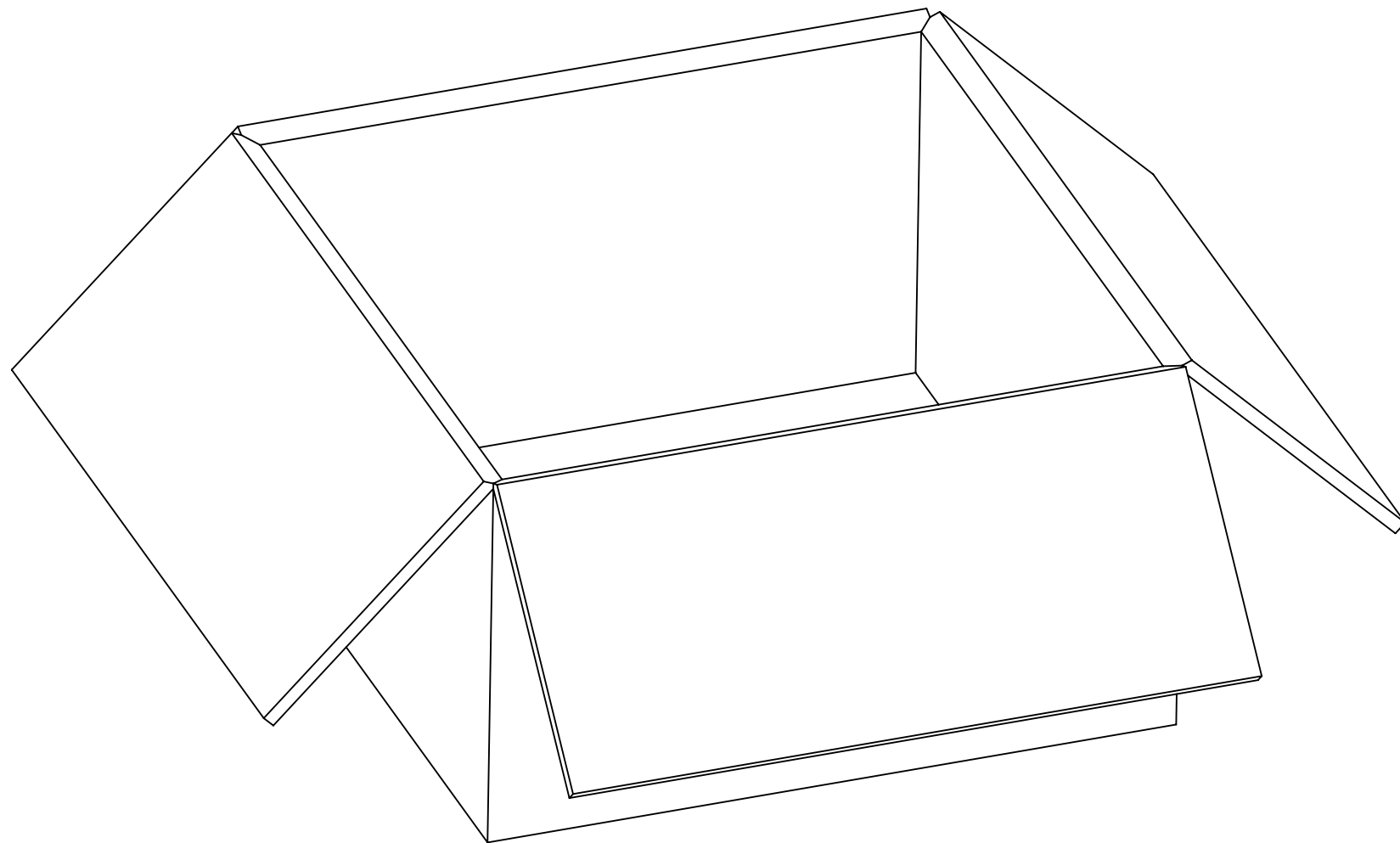
FUNCTIONAL SYMBOLS	THIS DRAWING CONTAINS INFORMATION THAT IS PROPRIETARY TO MOLEX ELECTRONIC TECHNOLOGIES, LLC AND SHOULD NOT BE USED WITHOUT WRITTEN PERMISSION		
$\frac{F}{A} = 0$ $\frac{F}{C} = 0$ $\frac{F}{P} = 0$	DIMENSION UNITS	SCALE	CURRENT REV DESC:
	INCH/MM	NTS	ADDED GOLD PLATING THICKNESS SPEC
	GENERAL TOLERANCES (UNLESS SPECIFIED)		EC NO: 683058
	ANGULAR TOL ± 2.0°		DRWN: JSU18 2021/10/27
DIVISIONAL SYMBOLS	4 PLACES ±		CHK'D: YCHENG 2021/10/29
	3 PLACES ±		APPR: YCHENG 2021/10/29
	2 PLACES ±		INITIAL REVISION:
	1 PLACE ±		DRWN: TFLAHERTY 2007/05/01
	0 PLACES ±		APPR: JWIENER 2007/05/01
DRAFT WHERE APPLICABLE MUST REMAIN WITHIN DIMENSIONS	THIRD ANGLE PROJECTION	DRAWING	SERIES
		C-SIZE	73100
DOCUMENT STATUS	P1	RELEASE DATE	2021/10/29 04:55:42
MATERIAL NUMBER		CUSTOMER	SHEET NUMBER
SD-73100-0114		GENERAL MARKET	1 OF 2



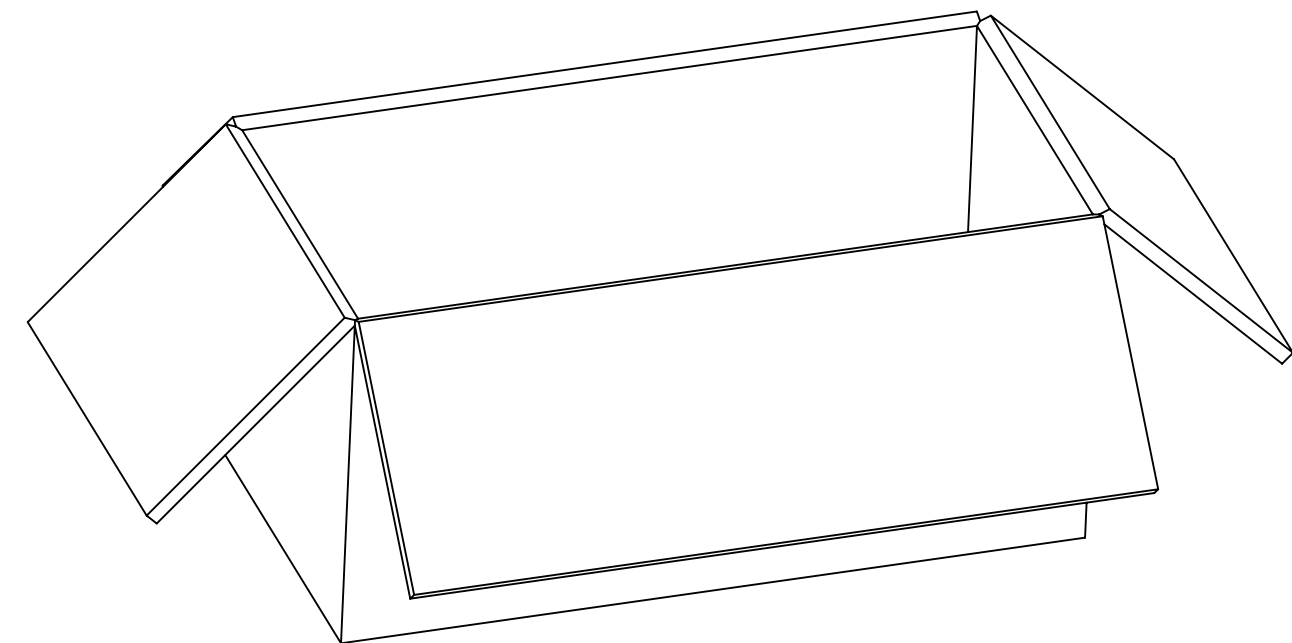
P/N: 73100-0114



80 SETS PER TRAY
P/N: 89707-0190



3520 SETS PER OUTER
CARTON BOX
P/N: 96708-0005



1760 SETS PER INNER
CARTON BOX
P/N: 96707-0001

FUNCTIONAL SYMBOLS	THIS DRAWING CONTAINS INFORMATION THAT IS PROPRIETARY TO MOLEX ELECTRONIC TECHNOLOGIES, LLC AND SHOULD NOT BE USED WITHOUT WRITTEN PERMISSION										
	DIMENSION UNITS	SCALE	CURRENT REV DESC:							molex	
$\frac{F}{A} = 0$	INCH/MM	NTS	EC NO: 683058								
$\frac{E}{C} = 0$	GENERAL TOLERANCES (UNLESS SPECIFIED)		DRWN: JSU18 2021/10/27							PRODUCT CUSTOMER DRAWING	
$\frac{E}{P} = 0$	ANGULAR TOL $\pm 2.0^\circ$		CHK'D: YCHENG 2021/10/29							DOCUMENT NUMBER	
DIVISIONAL SYMBOLS	4 PLACES \pm		APPR: YCHENG 2021/10/29							DOC TYPE	
	3 PLACES \pm		INITIAL REVISION:							DOC PART	
	2 PLACES \pm		DRWN: TFLAHERTY 2007/05/01							REVISION	
	1 PLACE \pm		APPR: JWIENER 2007/05/01							SD-73100-0114	
0 PLACES \pm		DRAFT WHERE APPLICABLE MUST REMAIN WITHIN DIMENSIONS		THIRD ANGLE PROJECTION		DRAWING	SERIES	MATERIAL NUMBER	CUSTOMER	SHEET NUMBER	
				C-SIZE	73100			GENERAL MARKET	2 OF 2		