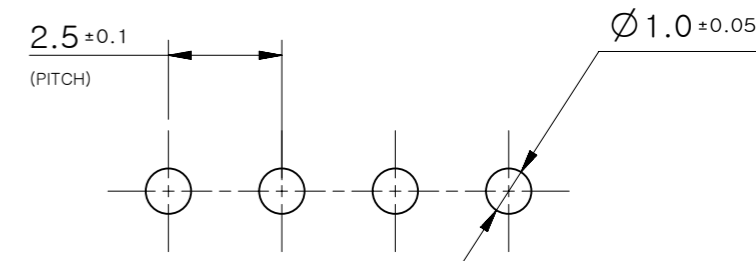


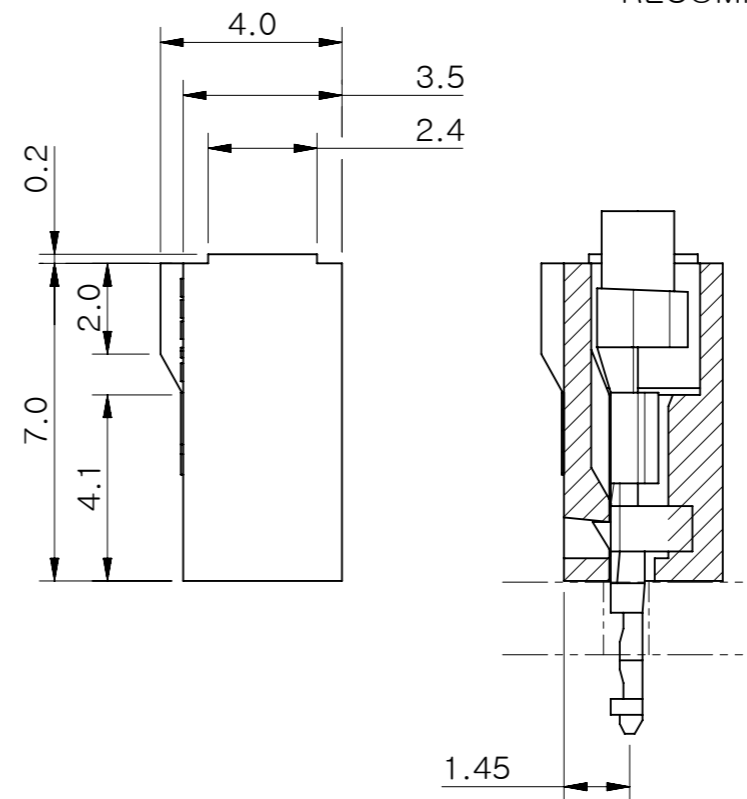
NOTES.

1. APPLICABLE TERMINAL : 500978\*00
2. TRADE MARK IS FORMED BY MXJ AND BY 1-2 DIGIT NUMBER (TO CAVITY NO.) AND BY 1 LETTER OD ALPHABET (TO MOLD NO.)
3. ELV AND RoHS COMPLIANT

(NON-ACCUMULATIVE)

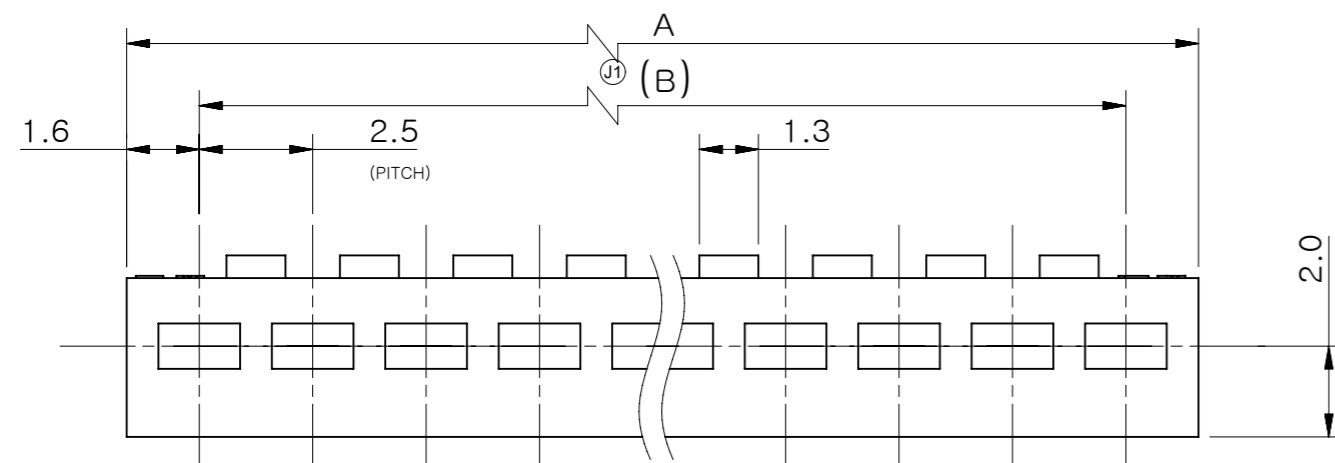
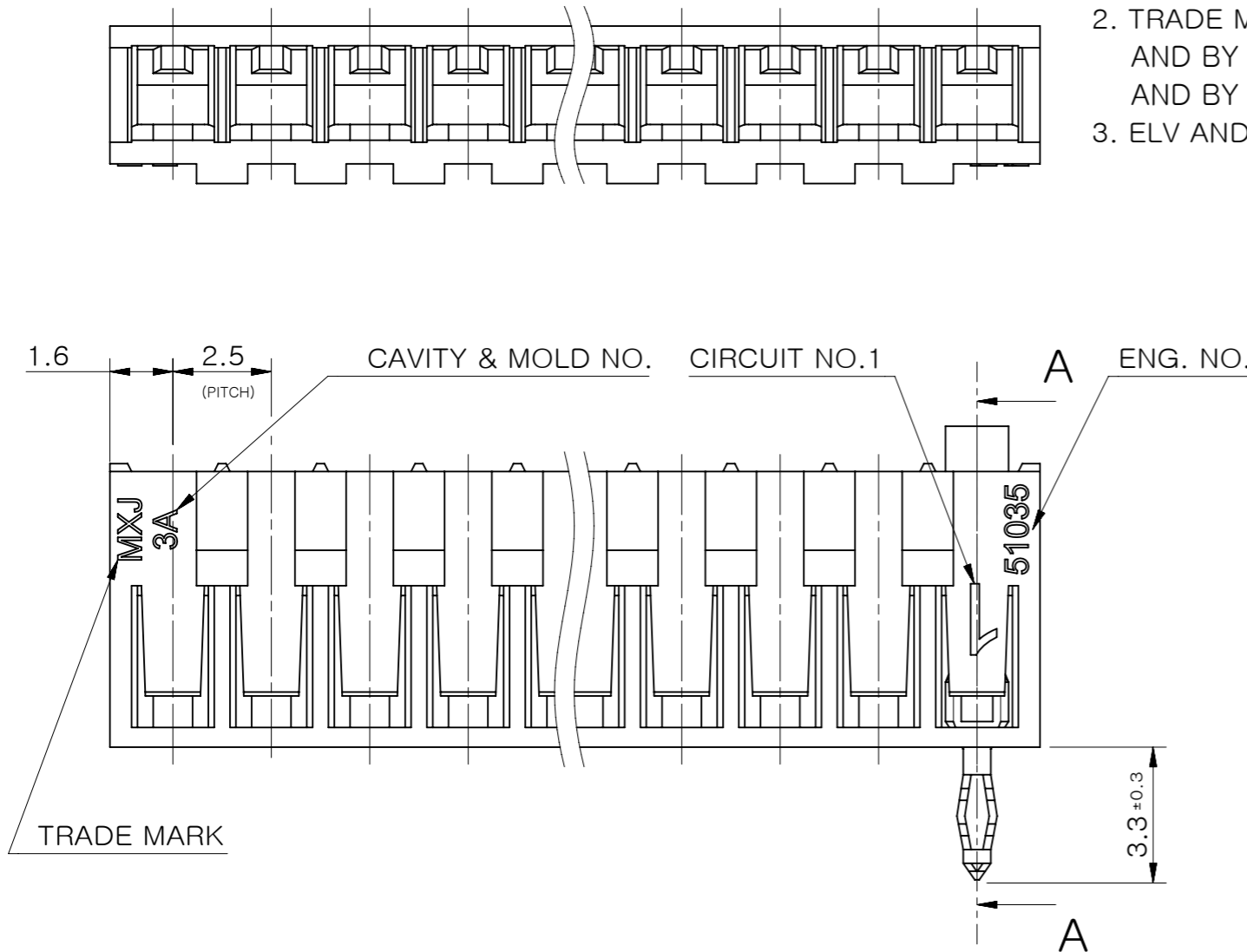


RECOMMENDED PC BOARD HOLE DIMENSION  
(THICKNESS : 1.6mm)



SECTION A-A

|      |      |           |      |
|------|------|-----------|------|
| 27.5 | 30.7 | 510351200 | 12   |
| 25.0 | 28.2 | 510351100 | 11   |
| 22.5 | 25.7 | 510351000 | 10   |
| 20.0 | 23.2 | 510350900 | 9    |
| 17.5 | 20.7 | 510350800 | 8    |
| 15.0 | 18.2 | 510350700 | 7    |
| 12.5 | 15.7 | 510350600 | 6    |
| 10.0 | 13.2 | 510350500 | 5    |
| 7.5  | 10.7 | 510350400 | 4    |
| 5.0  | 8.2  | 510350300 | 3    |
| 2.5  | 5.7  | 510350200 | 2    |
| B    | A    | ORDER NO. | CKT. |



| GENERAL TOLERANCES (UNLESS SPECIFIED)                |       |
|--|-------|
| 10 UNDER   | ±0.2  |
| 10 OVER 30 UNDER                                     | ±0.25 |
| 30 OVER  | ±0.3  |
| DRAFT WHERE APPLICABLE MUST REMAIN WITHIN DEMENSIONS |       |

|            |   |
|------------|---|
| MATERIAL   | POLYAMIDE, UL94V-0                            |
| WIRE RANGE | AWG #24 ~ 20<br>KV 0.2 ~ 0.5<br>AVS 0.3 ~ 0.5 |
| INS. RANGE | Ø1.3 ~ Ø2.1                                   |

|   |   |
|---|---|
| FUNCTIONAL SYMBOLS  | THIS DRAWING CONTAINS INFORMATION THAT IS PROPRIETARY TO MOLEX ELECTRONIC TECHNOLOGIES, LLC AND SHOULD NOT BE USED WITHOUT WRITTEN PERMISSION   |
| $\nabla_A = 0$<br>$\nabla_E = 0$<br>$\nabla_V = 0$                              | DIMENSION UNITS: mm<br>SCALE: 6:1<br>GENERAL TOLERANCES (UNLESS SPECIFIED)<br>ANGULAR TOL ± 3.0°<br>4 PLACES ±<br>3 PLACES ±<br>2 PLACES ±<br>1 PLACE ±<br>0 PLACES ±<br>DRAFT WHERE APPLICABLE MUST REMAIN WITHIN DIMENSIONS |
| DIVISIONAL SYMBOLS  | CURRENT REV DESC: OBSOLETE PART NUMBER AS PER PCN#509988<br>EC NO: 704776<br>DRWN: SUGEEB<br>CHK'D: GGA<br>APPR: GGA<br>INITIAL REVISION:<br>DRWN: RHORI<br>APPR: NUKITA  |
| DOCUMENT STATUS: P1<br>RELEASE DATE: 2022/05/24 10:34:53                        | 2022/03/31<br>2022/05/24<br>2022/05/24<br>2011/05/12<br>2011/05/16  |
|   |   |
| 2.5 BOARD IN CONN. HOUSING  |   |
| PRODUCT CUSTOMER DRAWING  |   |
| DOCUMENT NUMBER: SD-51035-001<br>DOC TYPE: PSD<br>DOC PART: 001<br>REVISION: J2 | MATERIAL NUMBER: SEE TABLE<br>CUSTOMER: GENERAL MARKET<br>SHEET NUMBER: 1 OF 1  |