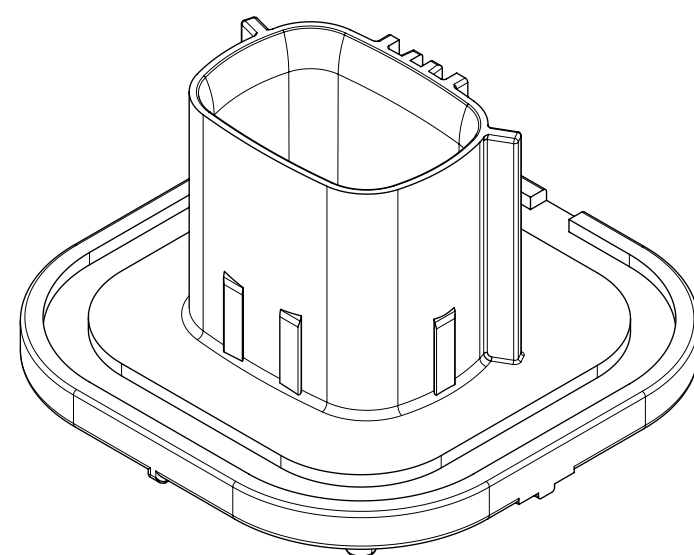


TABLE OF CONTENTS	
SHEET NO.	SHEET DESCRIPTION
1	NOTES, BOM & ISOMETRIC VIEW
2	CONFIGURATIONS
3	CONNECTOR INTERFACE
4	RECOMMENDED PCB LAYOUT

PART NUMBER TABLE					
CUSTOMER PART NUMBER	MOLEX PART NUMBER	DESCRIPTION	CIRCUIT SIZE	COLOR	STATUS
PH50227792	348580006	12CKT VERTICAL SEALED HEADER - KEY A	2X6	BLACK	OK TO TOOL
PH50227793	348580106	12CKT VERTICAL SEALED HEADER - KEY B	2X6	GREY	OK TO TOOL
PH50227794	348580206	12CKT VERTICAL SEALED HEADER - KEY C	2X6	BROWN	OK TO TOOL
PH50227795	348580306	12CKT VERTICAL SEALED HEADER - KEY D	2X6	GREEN	OK TO TOOL
PH50227792	348580016	12CKT VERTICAL SEALED HEADER - KEY A SHORT TAIL	2X6	BLACK	OK TO TOOL
PH50227793	348580116	12CKT VERTICAL SEALED HEADER - KEY B SHORT TAIL	2X6	GREY	OK TO TOOL
PH50227794	348580216	12CKT VERTICAL SEALED HEADER - KEY C SHORT TAIL	2X6	BROWN	OK TO TOOL
PH50227795	348580316	12CKT VERTICAL SEALED HEADER - KEY D SHORT TAIL	2X6	GREEN	OK TO TOOL



NOTES: VALID UNLESS OTHERWISE SPECIFIED

1. GENERAL:

- a. APPLICATION SPECIFICATION SEE: AS-111149-001
- b. PRODUCT SPECIFICATION SEE: PS-111149-001
- c. PACKAGING SPECIFICATION PER MOLEX DRAWING: PK-34858-001
- d. PARTS MUST BE IN COMPLIANCE TO MOLEX CHEMICAL SUBSTANCES FOR PRODUCTS AND PACKAGING SPECIFICATION: QEHS-699000-300
- e. DATA MUST BE SUBMITTED UNDER THE MOLEX PART NUMBER TO IMDS (COMPANY ID#13255)
- f. PCB TO BE FR4 .062" (1.57mm) THICK
- g. MATING CONNECTOR MINIMUM CLEARANCE: REGION TO REMAIN CLEAR OF MODULE COMPONENTS, ADHESIVE, DEBRIS, ETC.

2. DESIGN - MATERIALS:

- a. HEADER HOUSING: SPS GF30
- b. TERMINALS - COPPER ALLOY  
OVERMOLDING: LCP GF30  
MATE-SIDE PLATING: SELECTIVE GOLD OVER NICKEL  
PCB-SIDE PLATING: TIN OVER NICKEL
- c. BISCUIT: SPS GF30
- d. SHIELDS - COPPER ALLOY  
PLATING (OVERALL): TIN OVER NICKEL

3. DESIGN - GEOMETRY:

- a. GEOMETRIC DIMENSIONS AND TOLERANCES PER ASME Y14.5M-2009
- b. EDGES AND UNDIMENSIONED DETAILS PER ISO13715
- c. CORNERS SHOWN AS SHARP TO BE R 0.2 MAX.

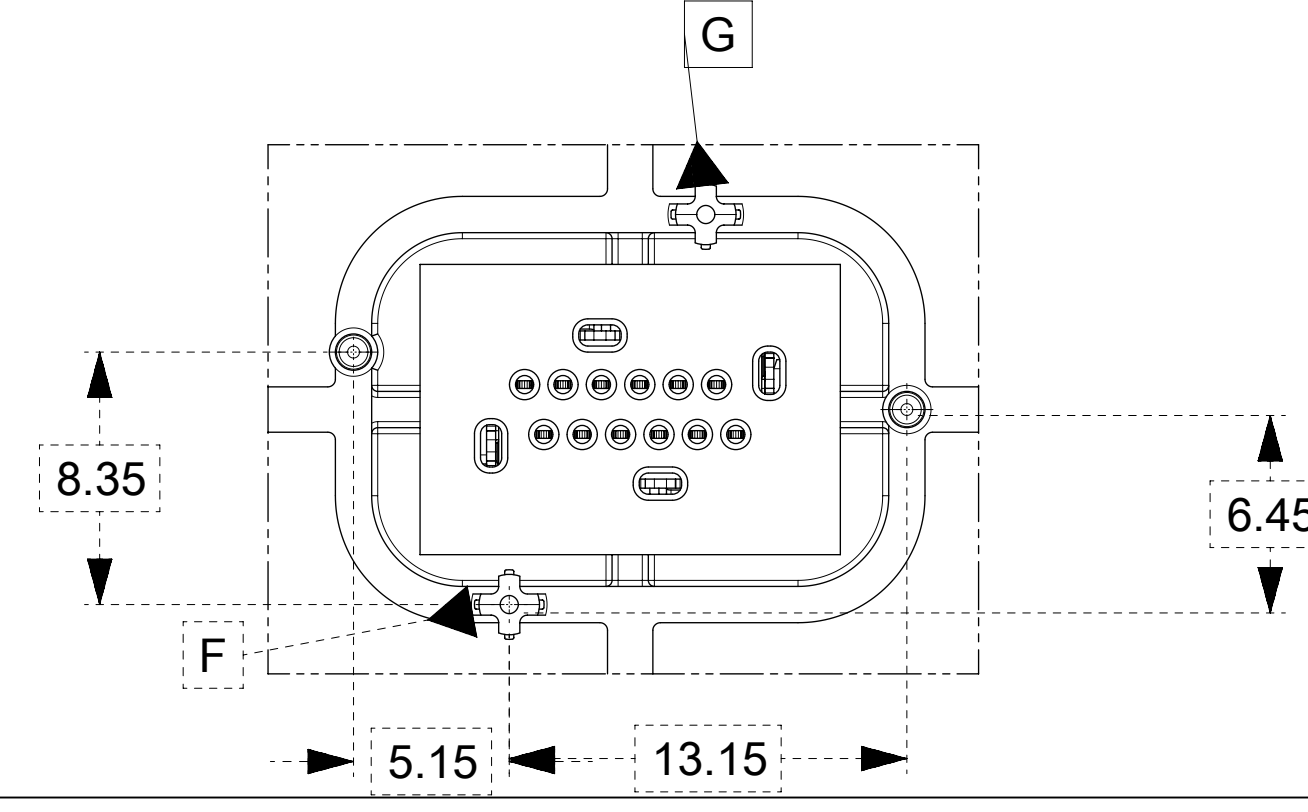
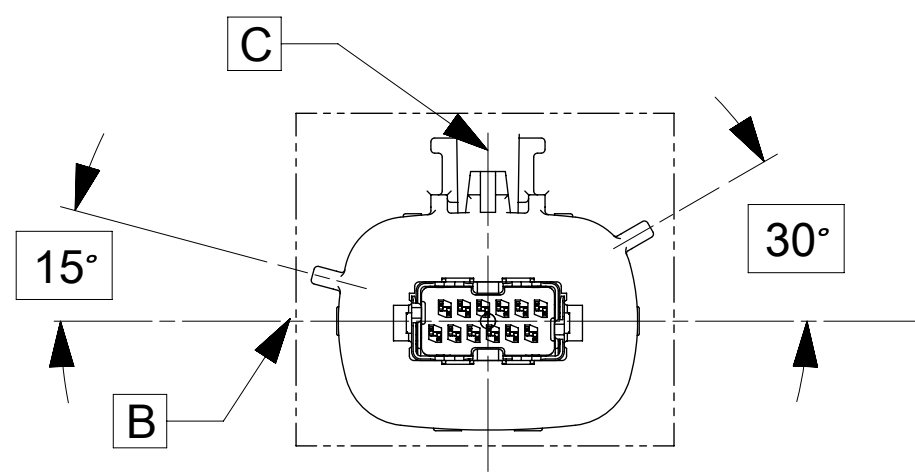
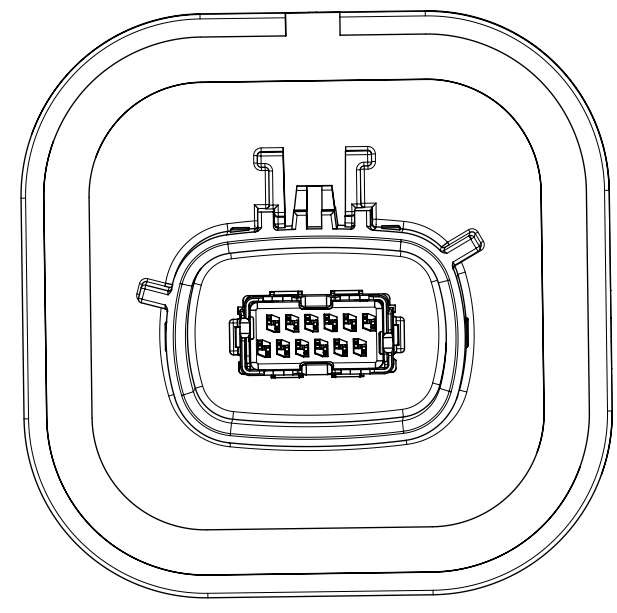
4. LASER MARKING TO BE MARKED WITH:

- HUMAN READABLE CODE (HRC)
- PERMANENTLY APPLIED ON THE PART WITH 1.5mm LETTER SIZE
- 5 DIGIT JULIAN MANUFACTURING DATE STAMP YYDDD

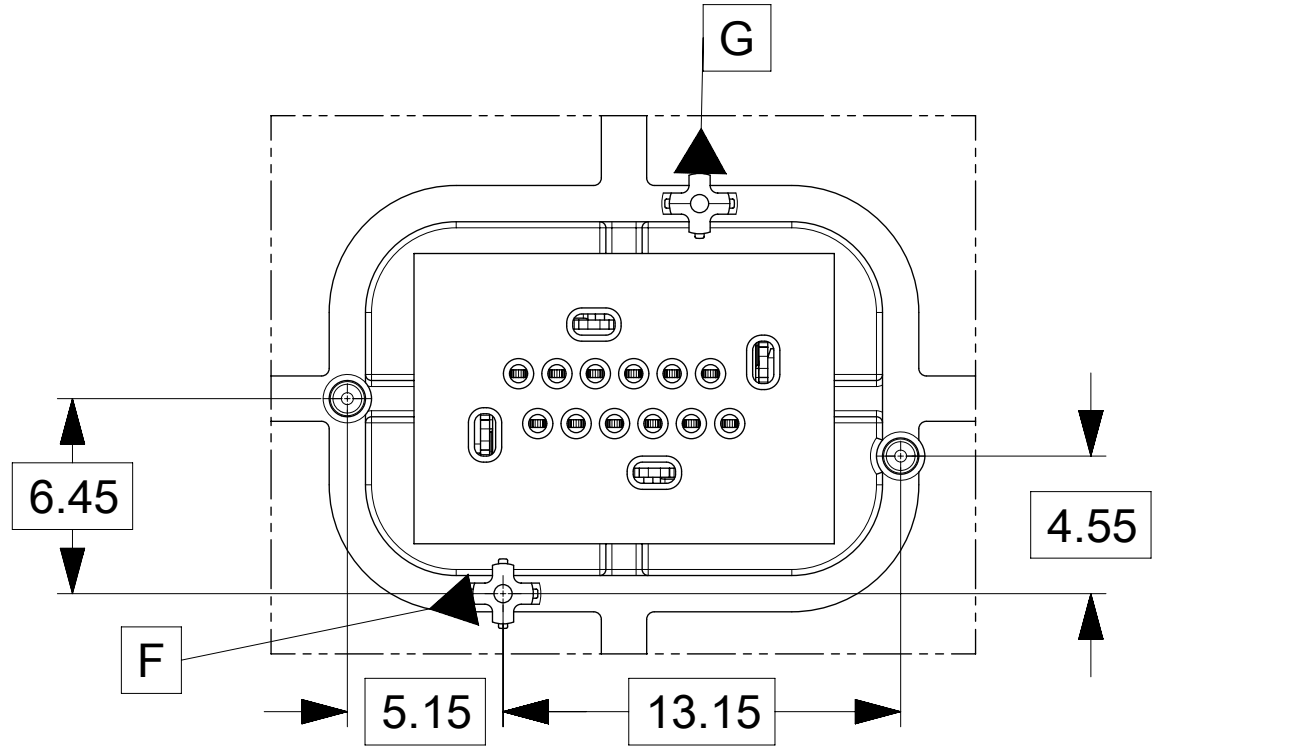
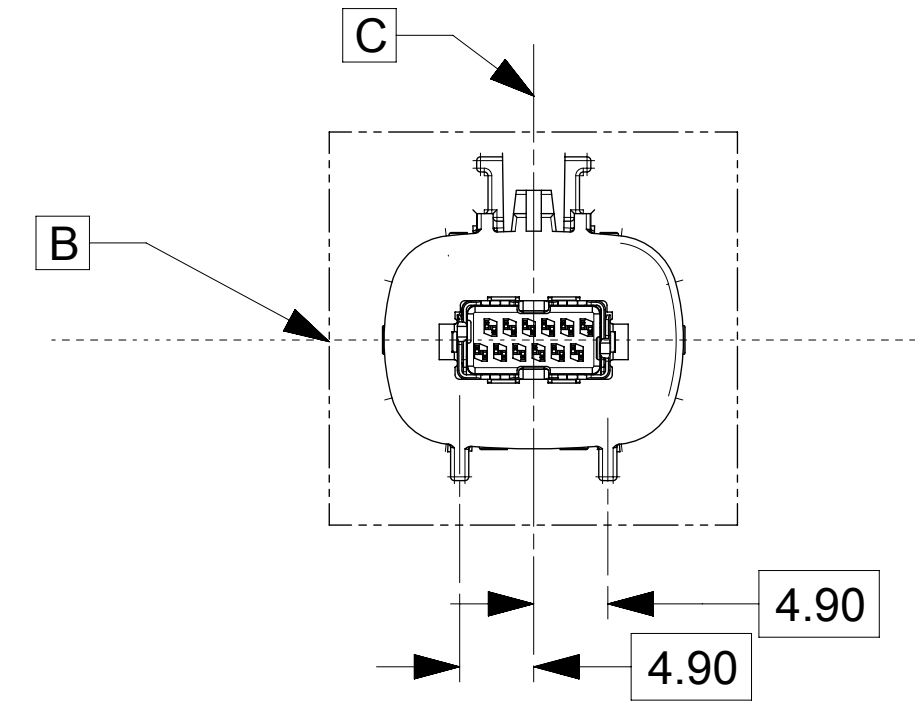
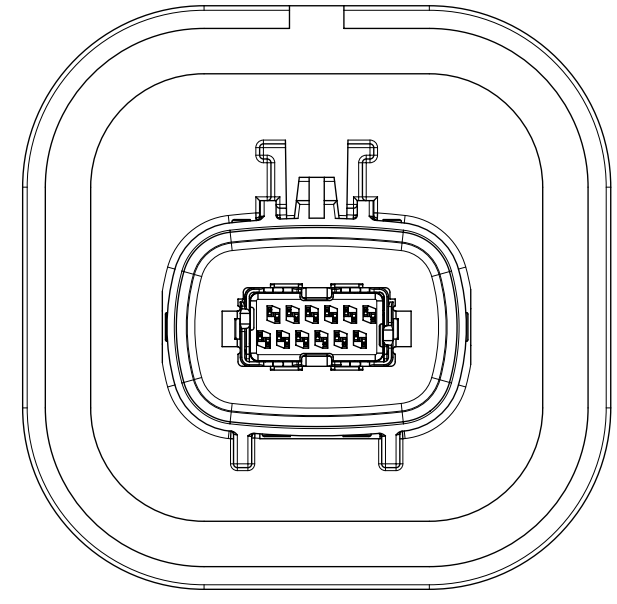
A5	UPDATE TITLEBLOCK TO FIX ECTR ISSUE
A4	ADD TABLE TO DIM 7
A3	CORRECT TOL ON DIM 7
A2	MIGRATION TO ECTR/NX
A1	DRAWING UPDATE
A	OK TO TOOL RELEASE

SYMBOLS	THIS DRAWING CONTAINS INFORMATION THAT IS PROPRIETARY TO MOLEX ELECTRONIC TECHNOLOGIES, LLC AND SHOULD NOT BE USED WITHOUT WRITTEN PERMISSION		CURRENT REV DESC: CORRECT ECTR ERROR	
DIMENSION UNITS	SCALE	EC NO:	DRWN:	DATE:
$\nabla = 0$	mm	604086	DGILKEY	2018/09/06
$\nabla = 0$	GENERAL TOLERANCES (UNLESS SPECIFIED)	CHK'D:	DNAYLIS	2018/09/06
$\nabla = 0$	ANGULAR TOL $\pm$ 1.0°	APPR:	DNAYLIS	2018/09/06
$\nabla = 0$	4 PLACES $\pm$	INITIAL REVISION:	DRWN:	DATE:
$\nabla = 0$	3 PLACES $\pm$	DRWN:	KPATRA	2017/02/07
$\nabla = 0$	2 PLACES $\pm$ 0.13	APPR:	DNAYLIS	2018/01/03
$\nabla = 0$	1 PLACE $\pm$ 0.25	DRWN:	DRWN:	DATE:
$\nabla = 0$	0 PLACES $\pm$	APPR:	DRWN:	DATE:
$\nabla = 0$	DRAFT WHERE APPLICABLE MUST REMAIN WITHIN DIMENSIONS	THIRD ANGLE PROJECTION	DRAWING	SERIES
$\nabla = 0$			D-SIZE	34858
		DOCUMENT NUMBER	MATERIAL NUMBER	CUSTOMER
		SD-34858-002	SEE CHART	GENERAL MARKET
		DOC TYPE	DOC PART	REVISION
		PSD	000	A5
		SHEET NUMBER		1 OF 4

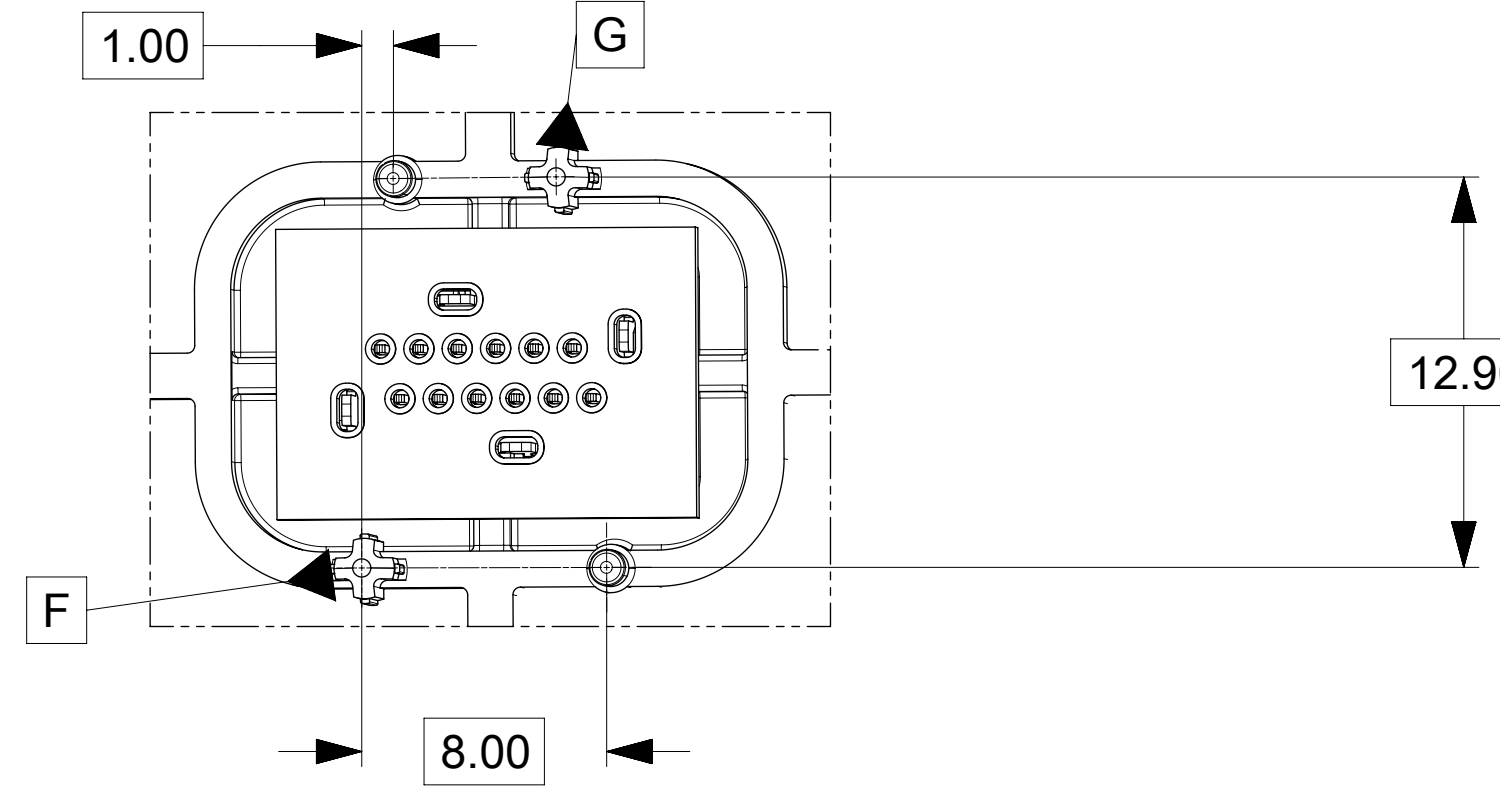
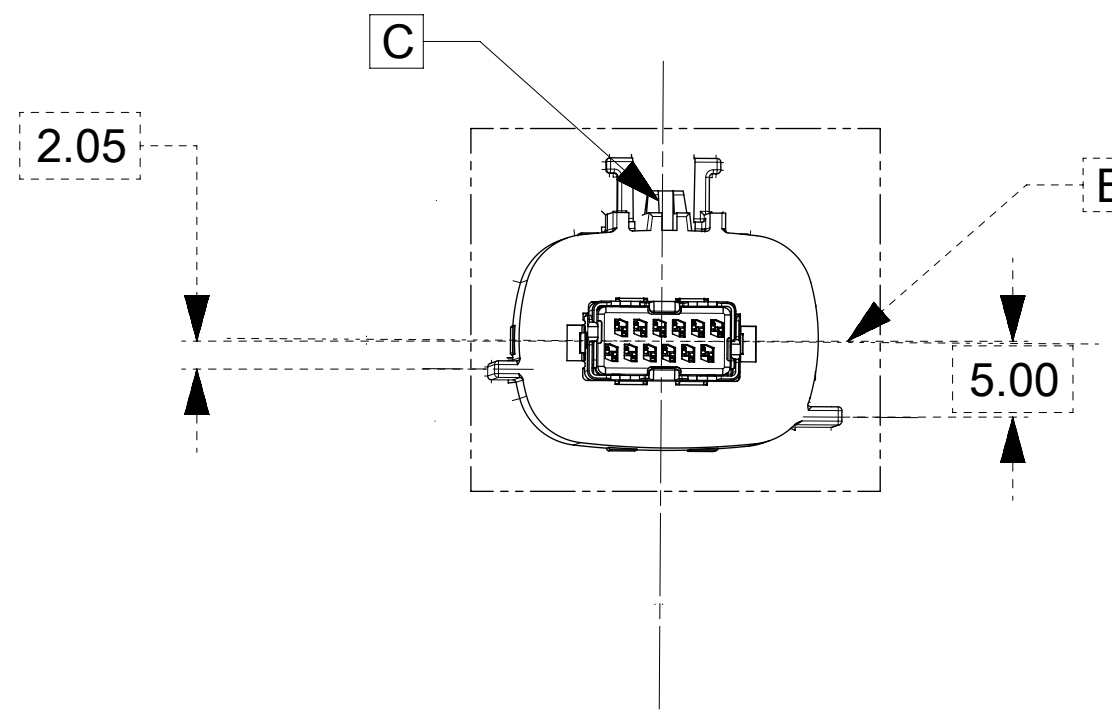
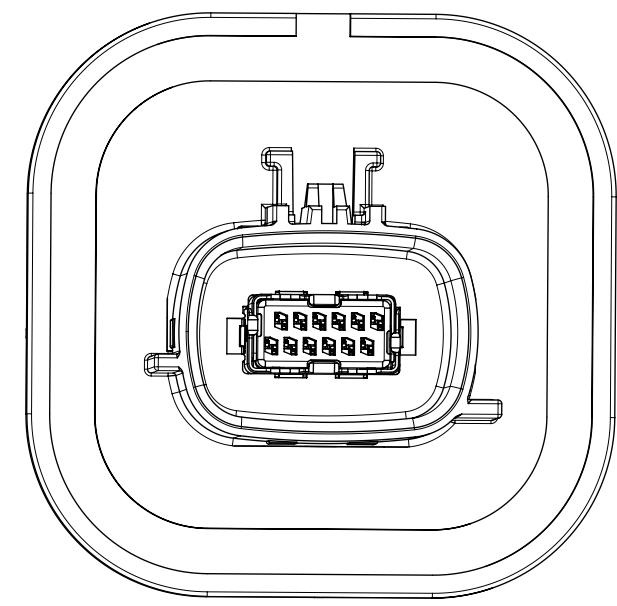
P/N: 34858-00X6  
KEY A



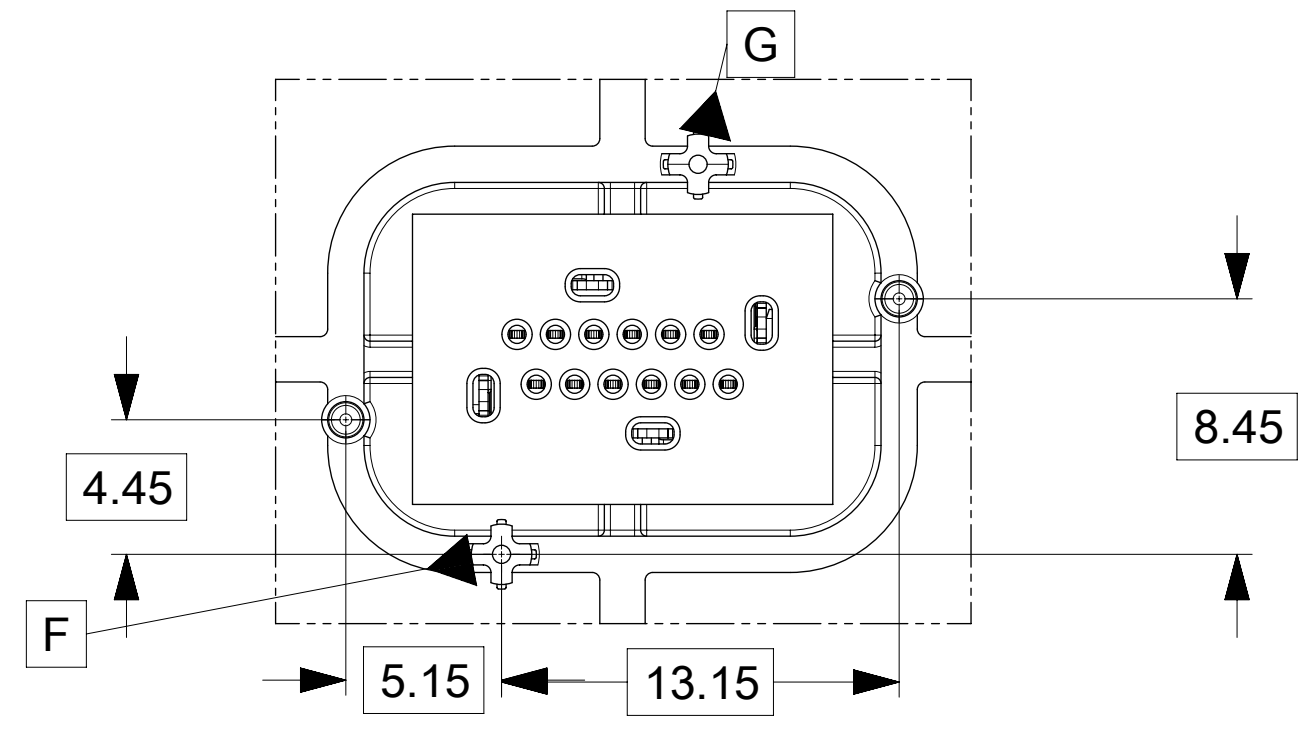
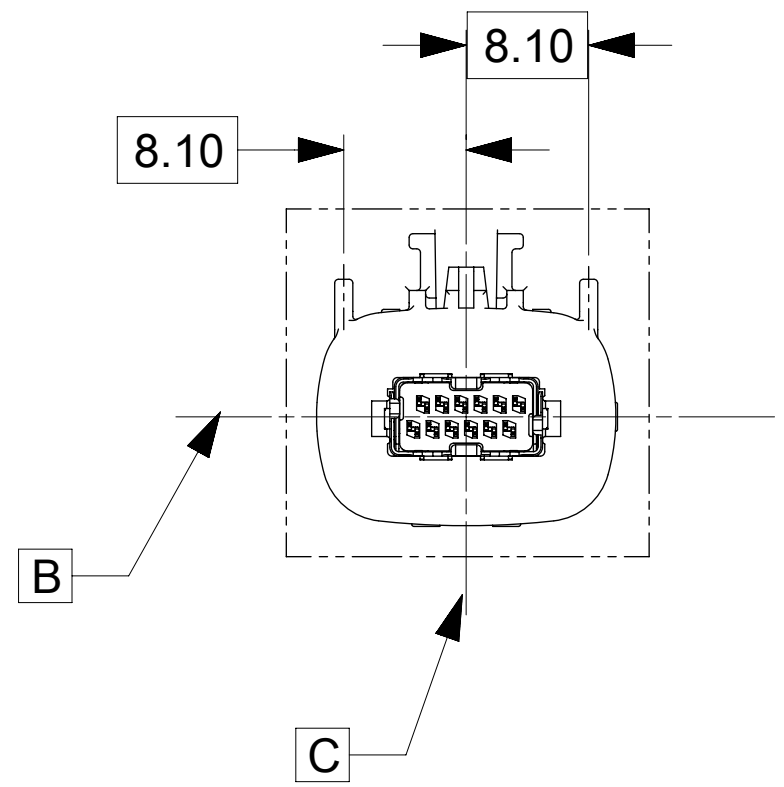
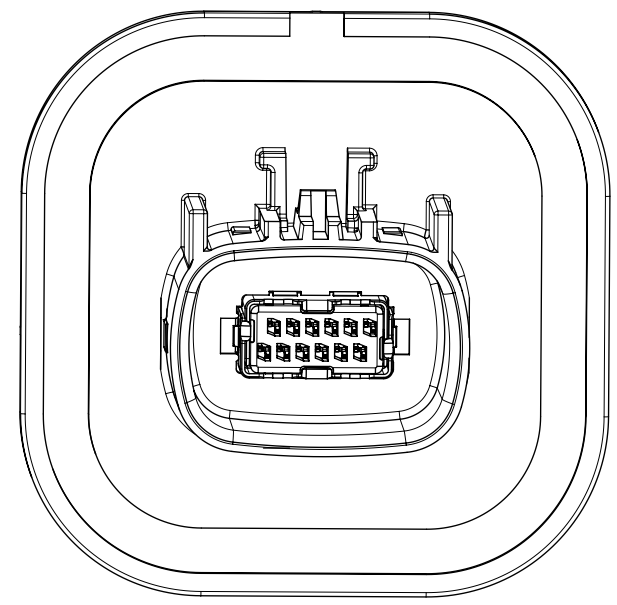
P/N: 34858-01X6  
KEY B



P/N: 34858-02X6  
KEY C



P/N: 34858-03X6  
KEY D



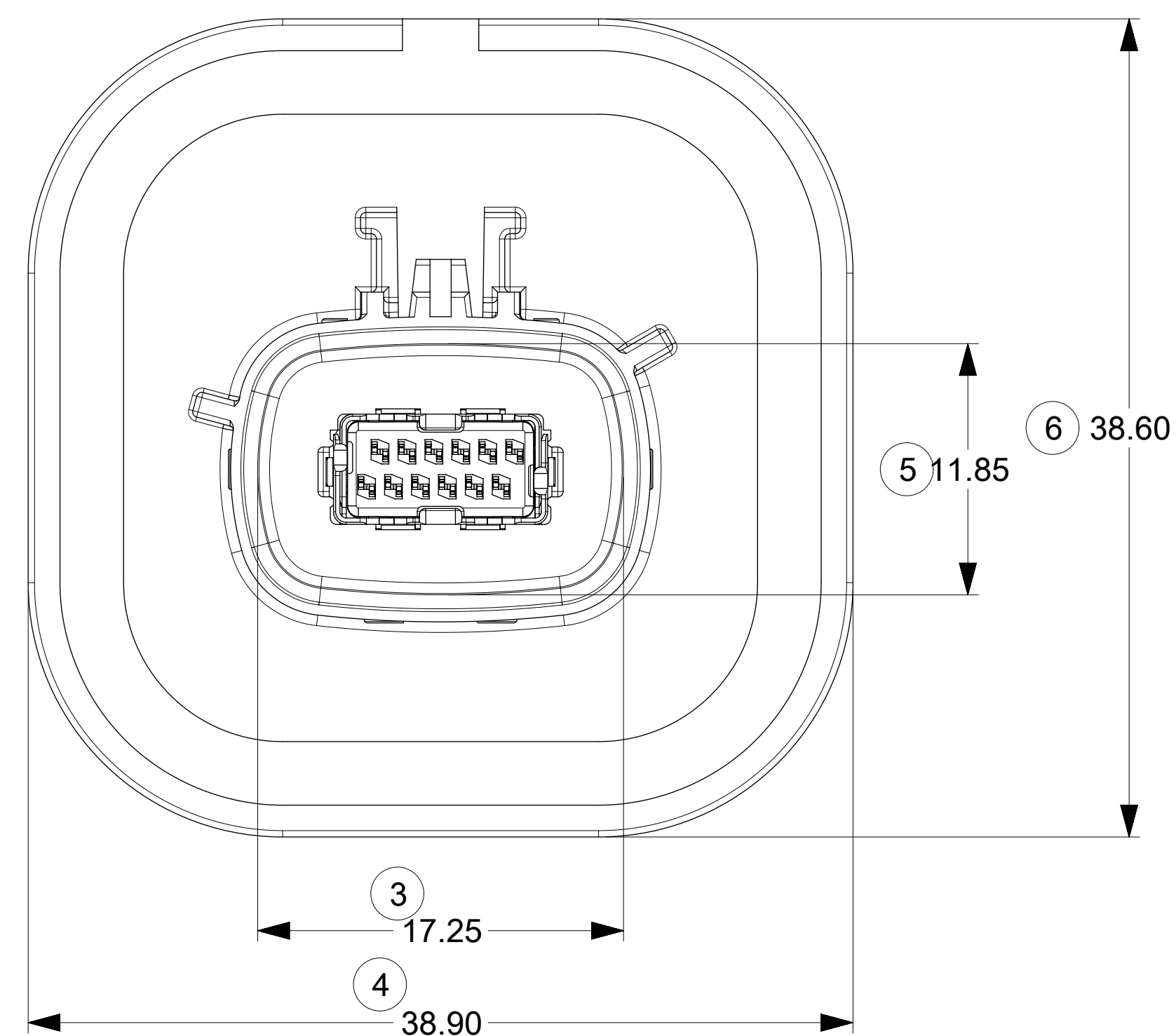
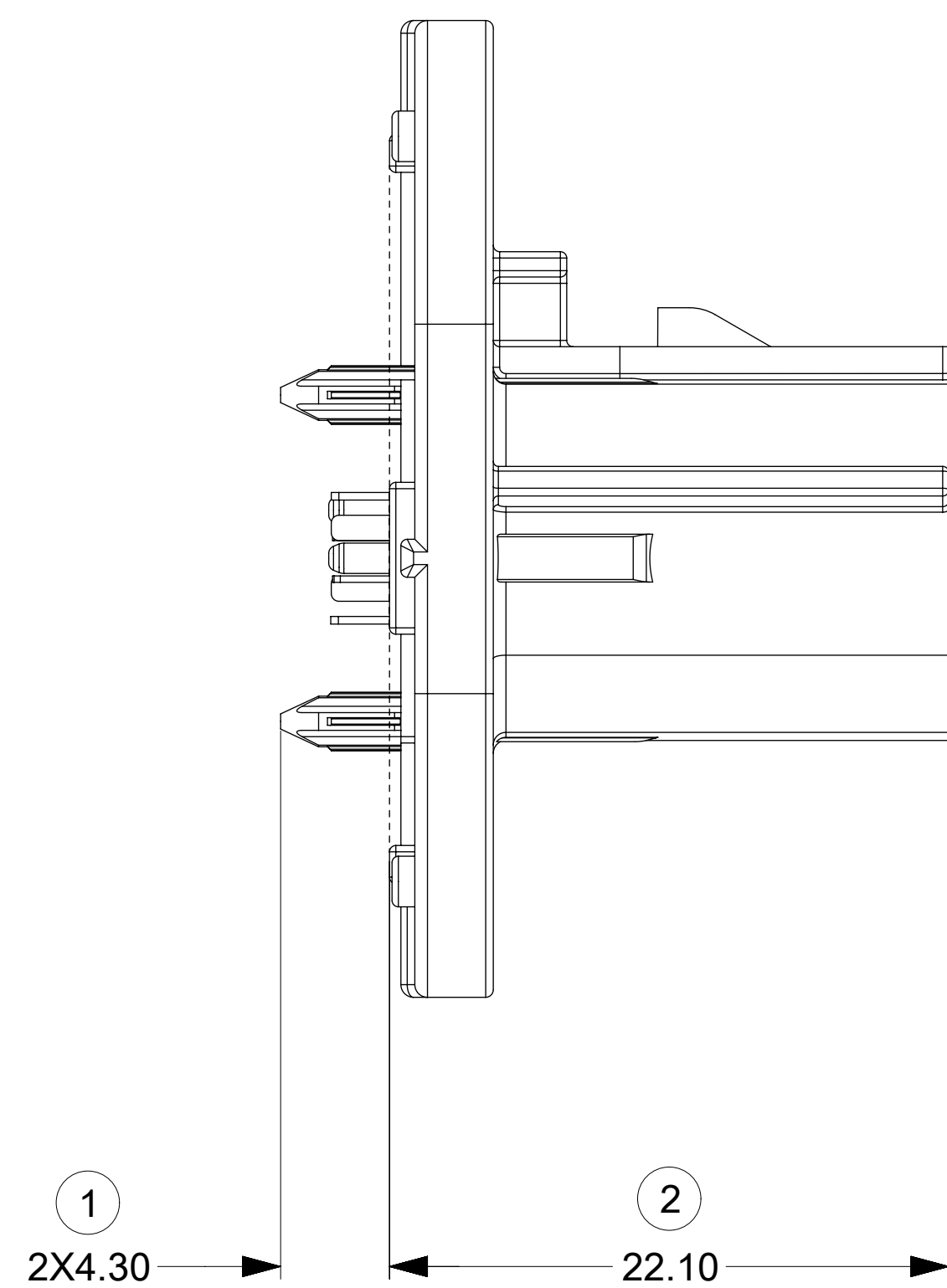
SHEET DESCRIPTION  
CONFIGURATIONS

MATE INTERFACE  
KEY OPTIONS

PCB INTERFACE  
KEY OPTIONS

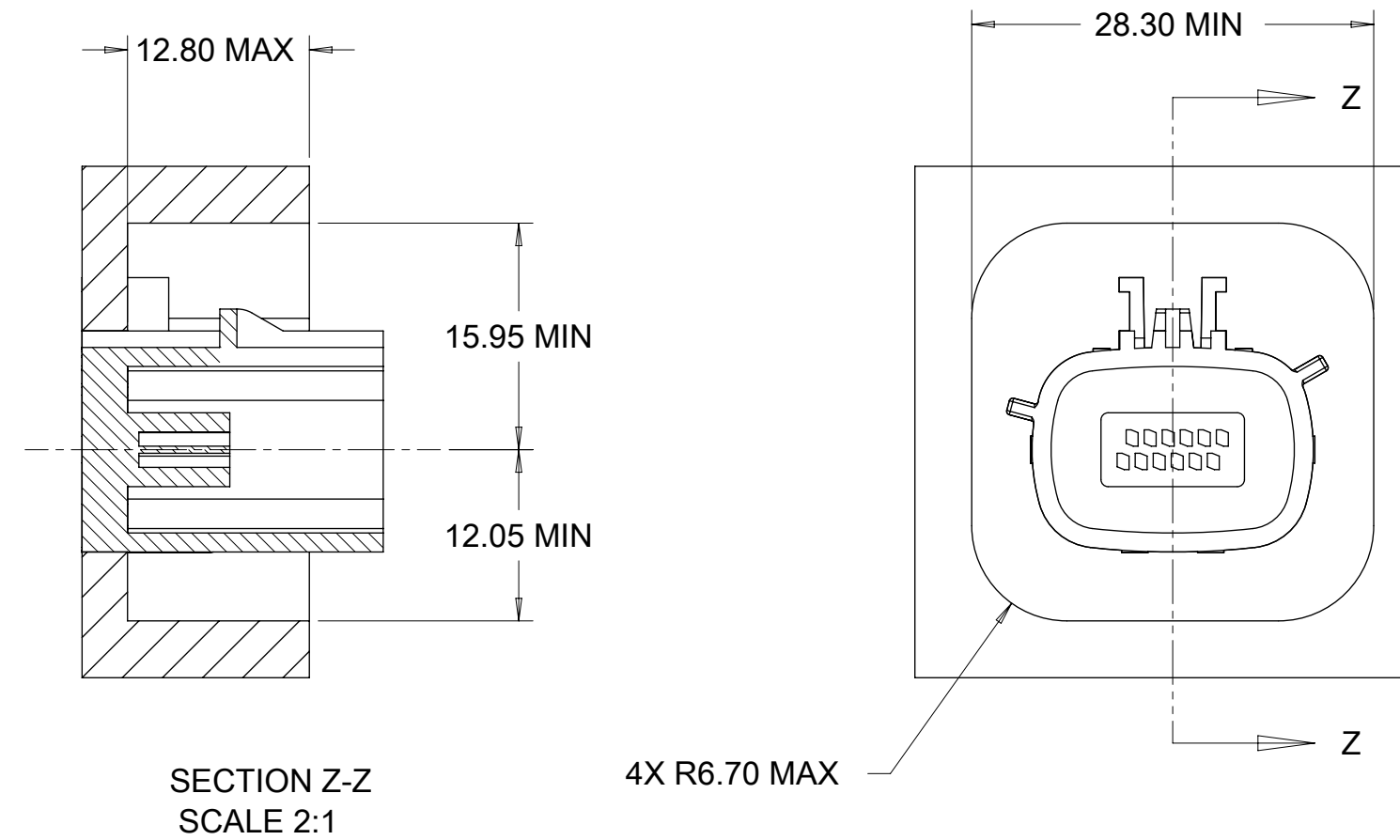
SYMBOLS	THIS DRAWING CONTAINS INFORMATION THAT IS PROPRIETARY TO MOLEX ELECTRONIC TECHNOLOGIES, LLC AND SHOULD NOT BE USED WITHOUT WRITTEN PERMISSION		CURRENT REV DESC: CORRECT ECTR ERROR		<b>molex</b>	
	DIMENSION UNITS	SCALE				
▽ = 0	mm		EC NO: 604086		12 CKT HSAUTOLINK II	
▽ = 0	GENERAL TOLERANCES (UNLESS SPECIFIED)		DRWN: DGILKEY 2018/09/06		VERT SEALED HEADER ASSEMBLY	
▽ = 0	ANGULAR TOL ± 1.0°		CHK'D: DNAYLIS 2018/09/06		PRODUCT CUSTOMER DRAWING	
▽ = 0	4 PLACES ±		APPR: DNAYLIS 2018/09/06		DOCUMENT NUMBER	
▽ = 0	3 PLACES ±		INITIAL REVISION:		DOC TYPE	
▽ = 0	2 PLACES ± 0.13		DRWN: KPATRA 2017/02/07		DOC PART	
▽ = 0	1 PLACE ± 0.25		APPR: DNAYLIS 2018/01/03		REVISION	
▽ = 0	0 PLACES ±		DRAFT WHERE APPLICABLE MUST REMAIN WITHIN DIMENSIONS		SD-34858-002	
⊗ = 0	THIRD ANGLE PROJECTION	DRAWING	SERIES	MATERIAL NUMBER	CUSTOMER	SHEET NUMBER
▽ = 0		D-SIZE	34858	SEE CHART	GENERAL MARKET	2 OF 4

SHEET DESCRIPTION  
CONNECTOR INTERFACE

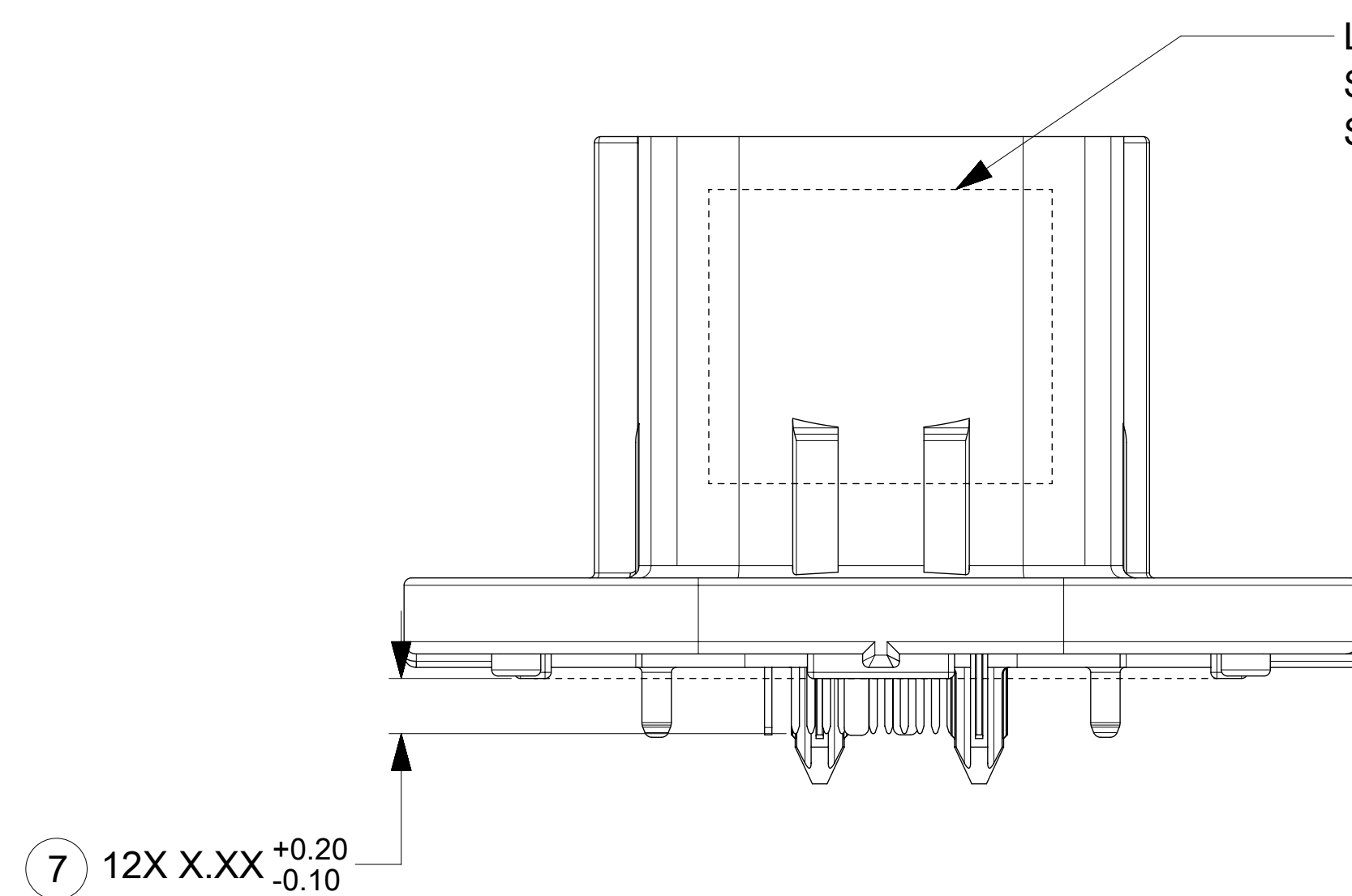


MATING HARNESS CONNECTOR KEEP OUT REGION

IF HEADER IS RECESSED INTO A POCKET, THESE DIMENSIONS REPRESENT THE MINIMUM CLEARANCE REQUIRED FOR THE MATING CONNECTOR SHROUD. SEE NOTE 1g.



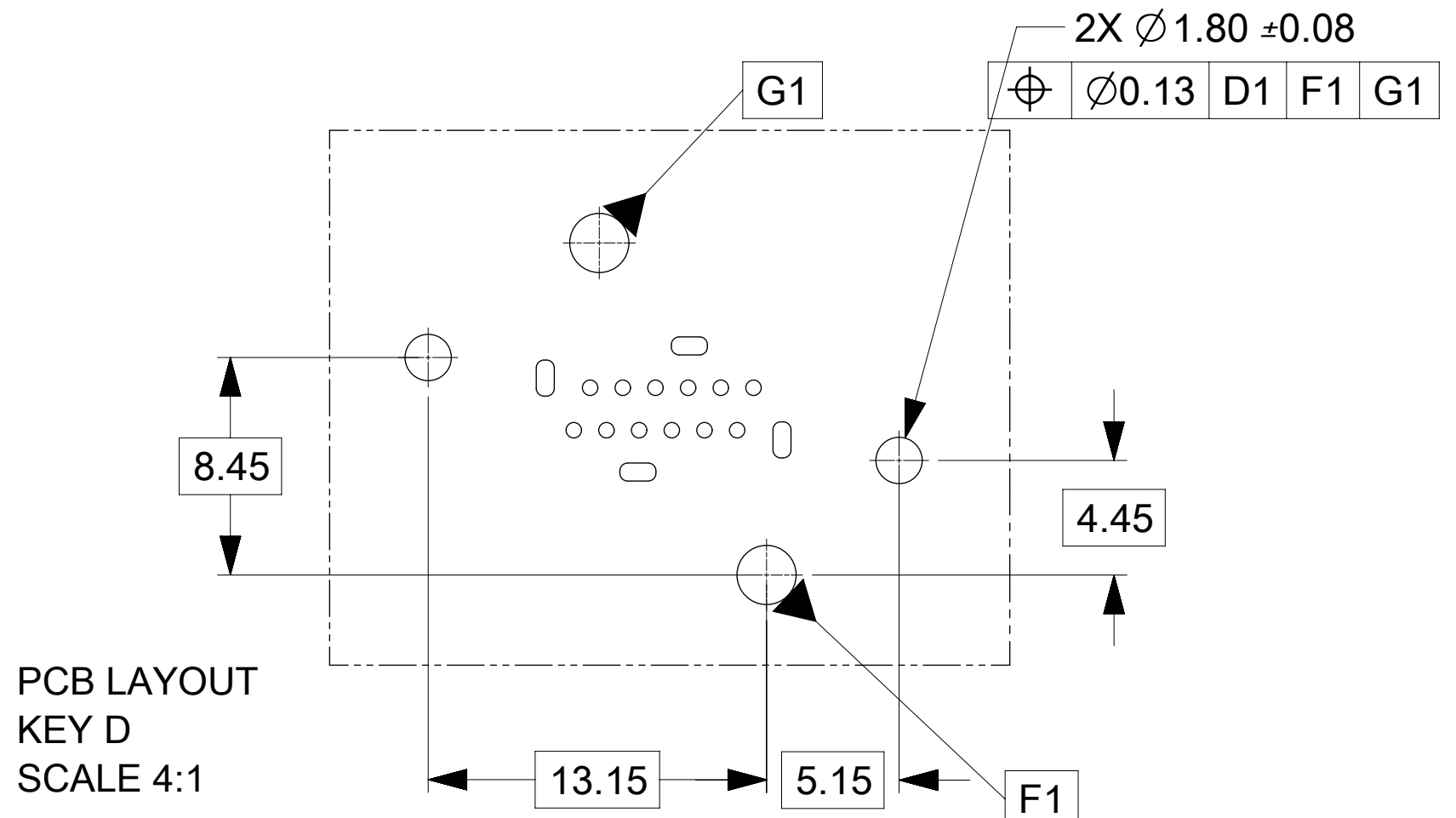
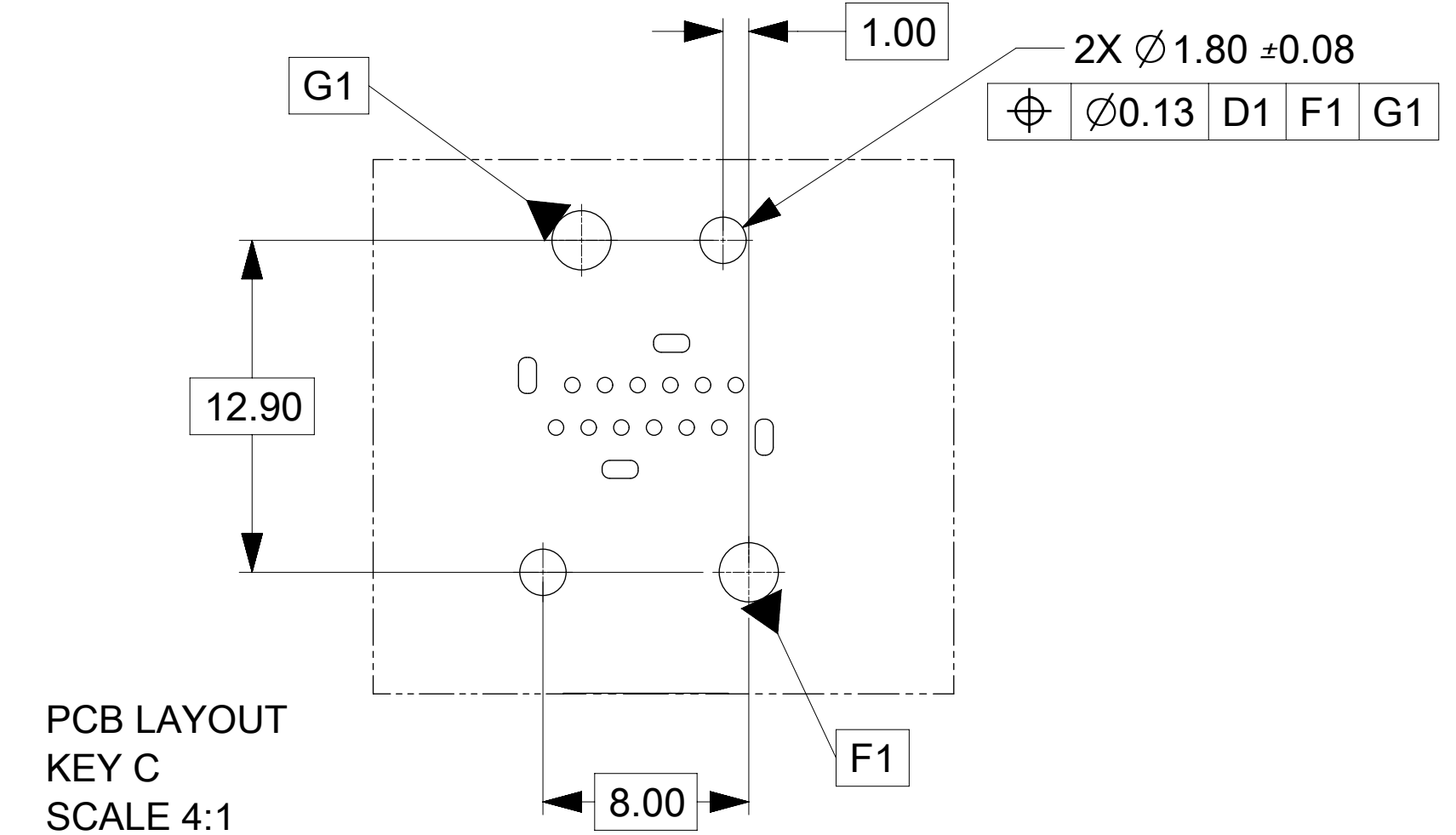
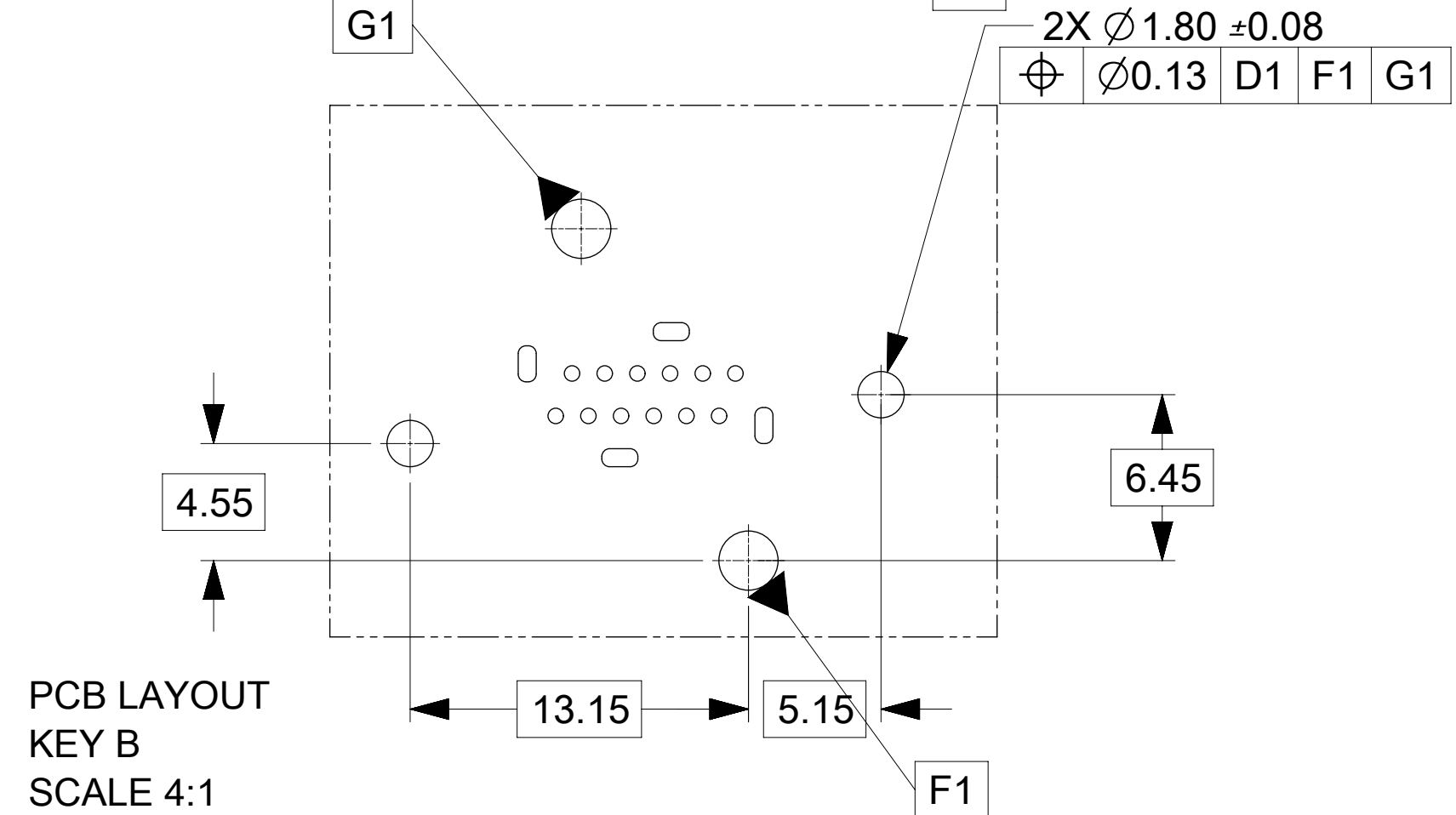
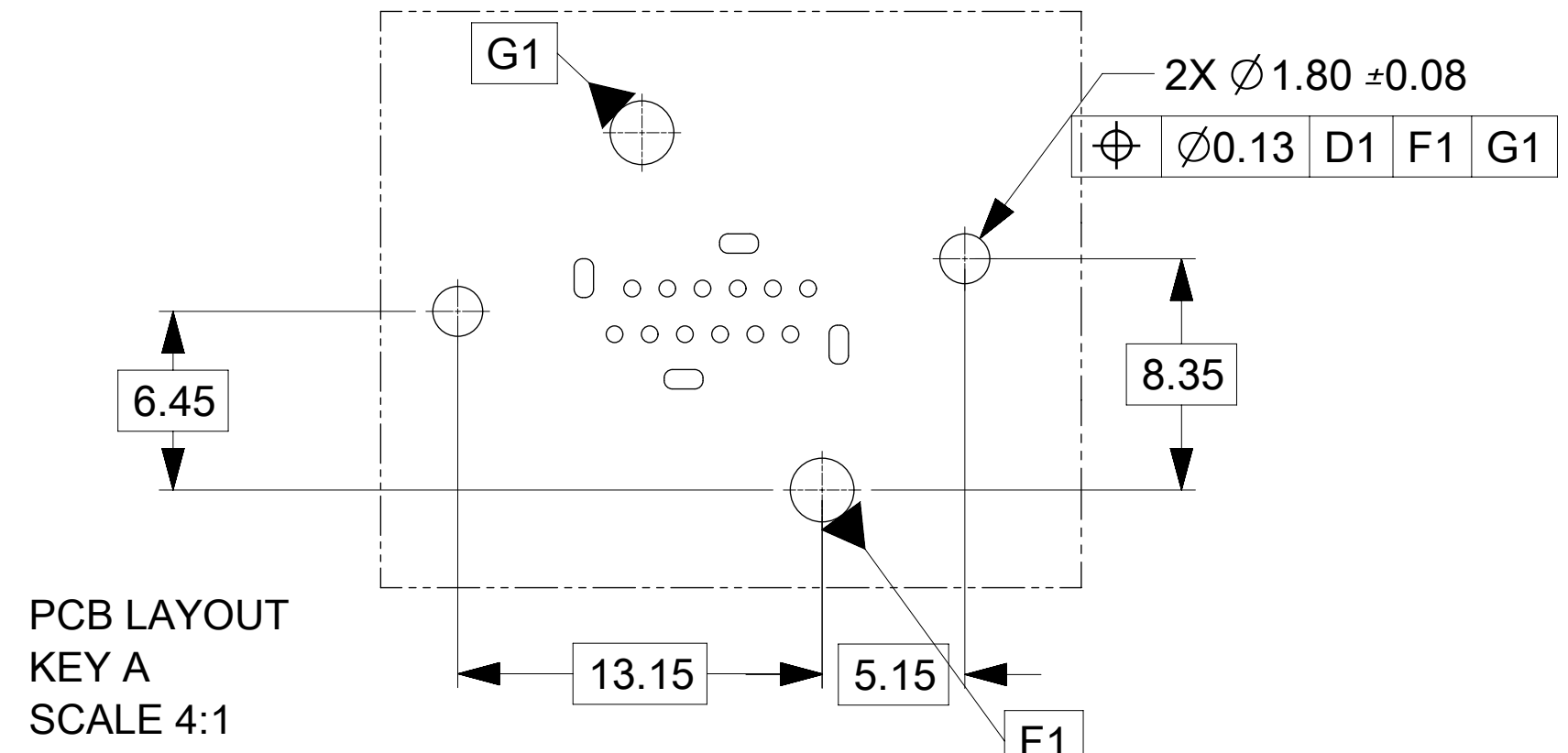
LASER MARKING TO BE SHOWN IN THIS LOCATION. SEE NOTE 5.



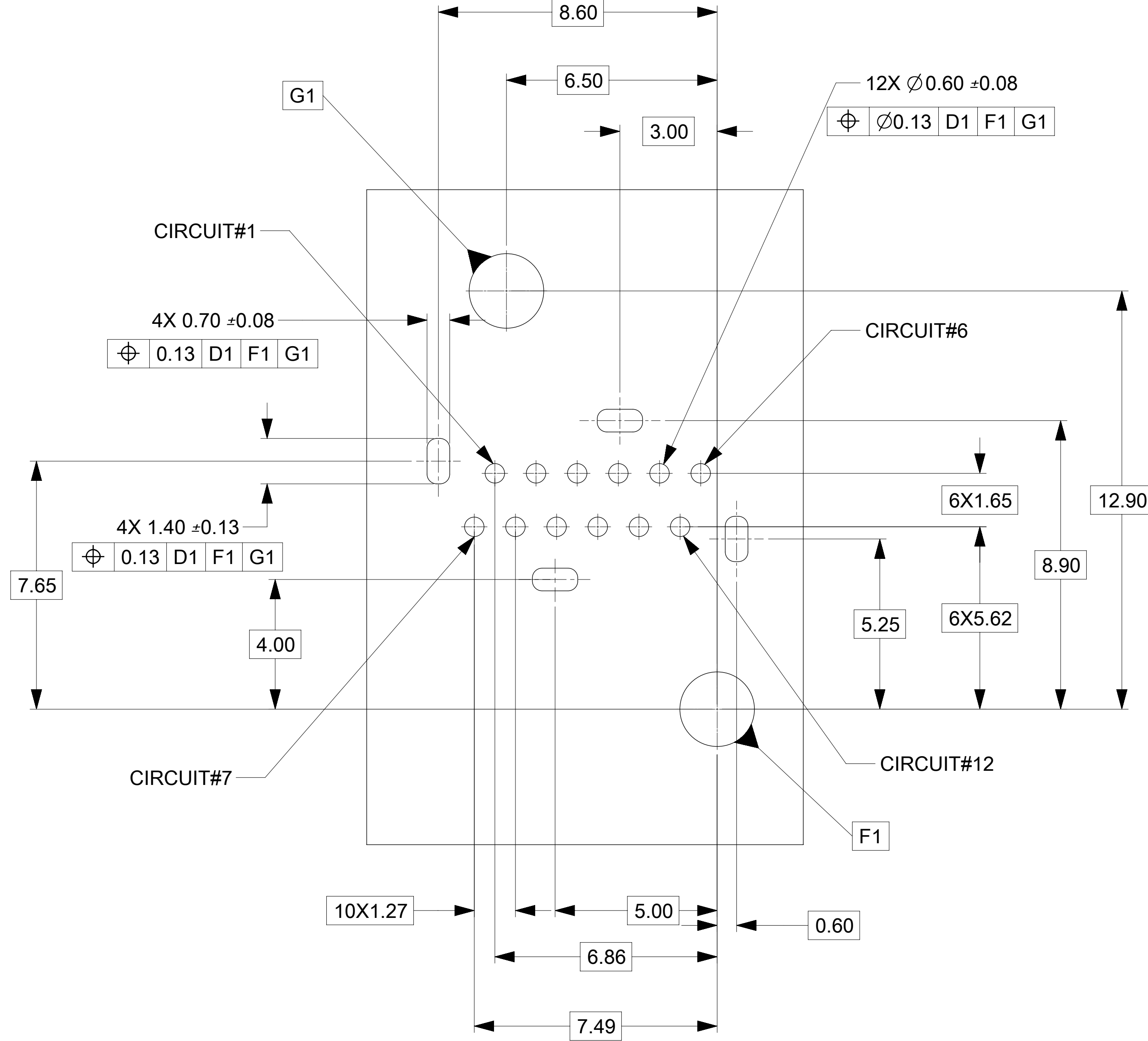
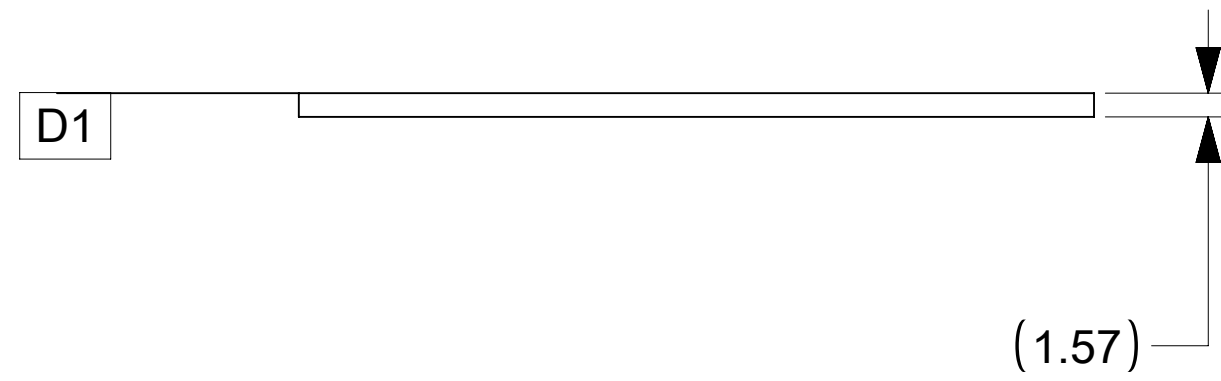
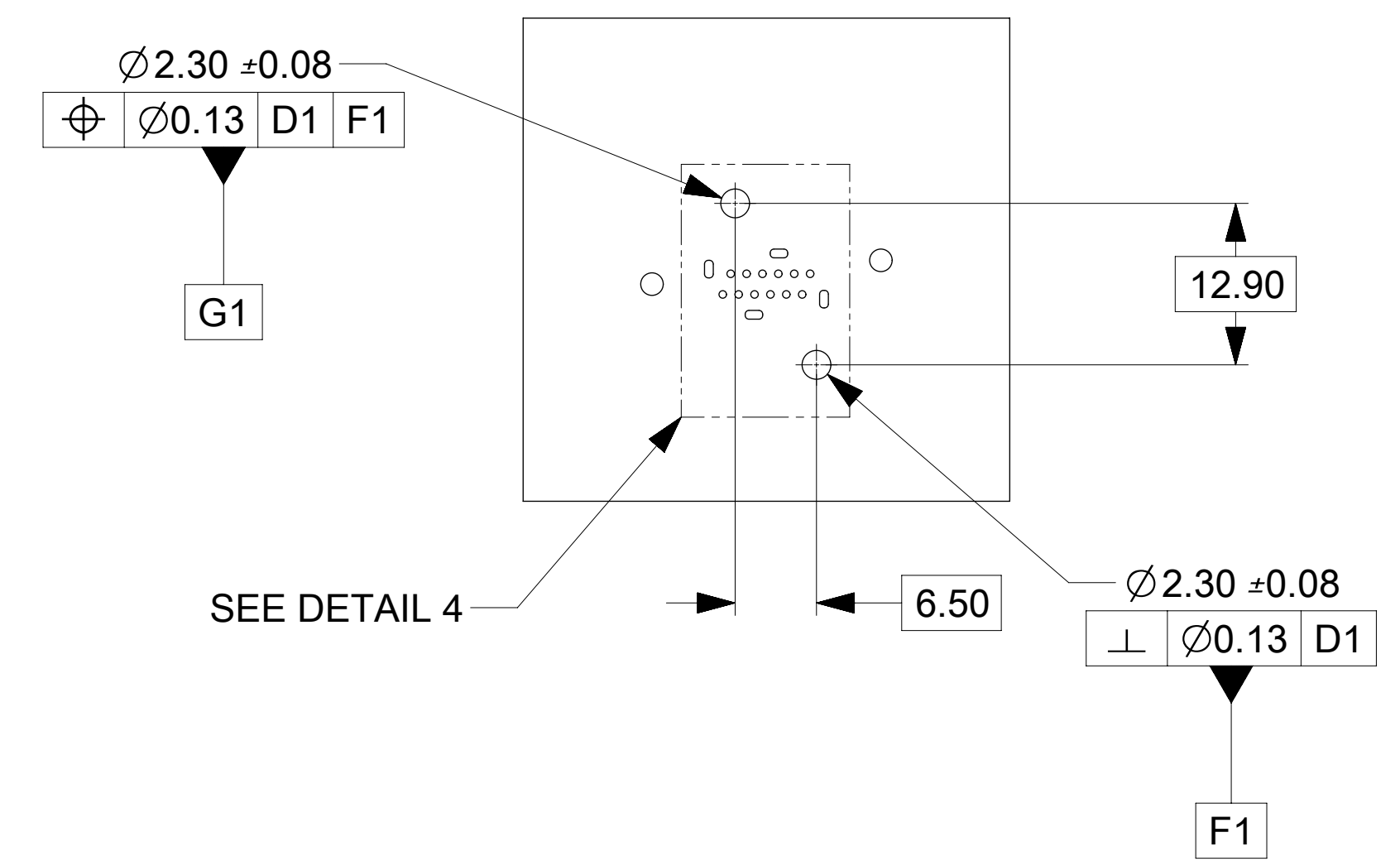
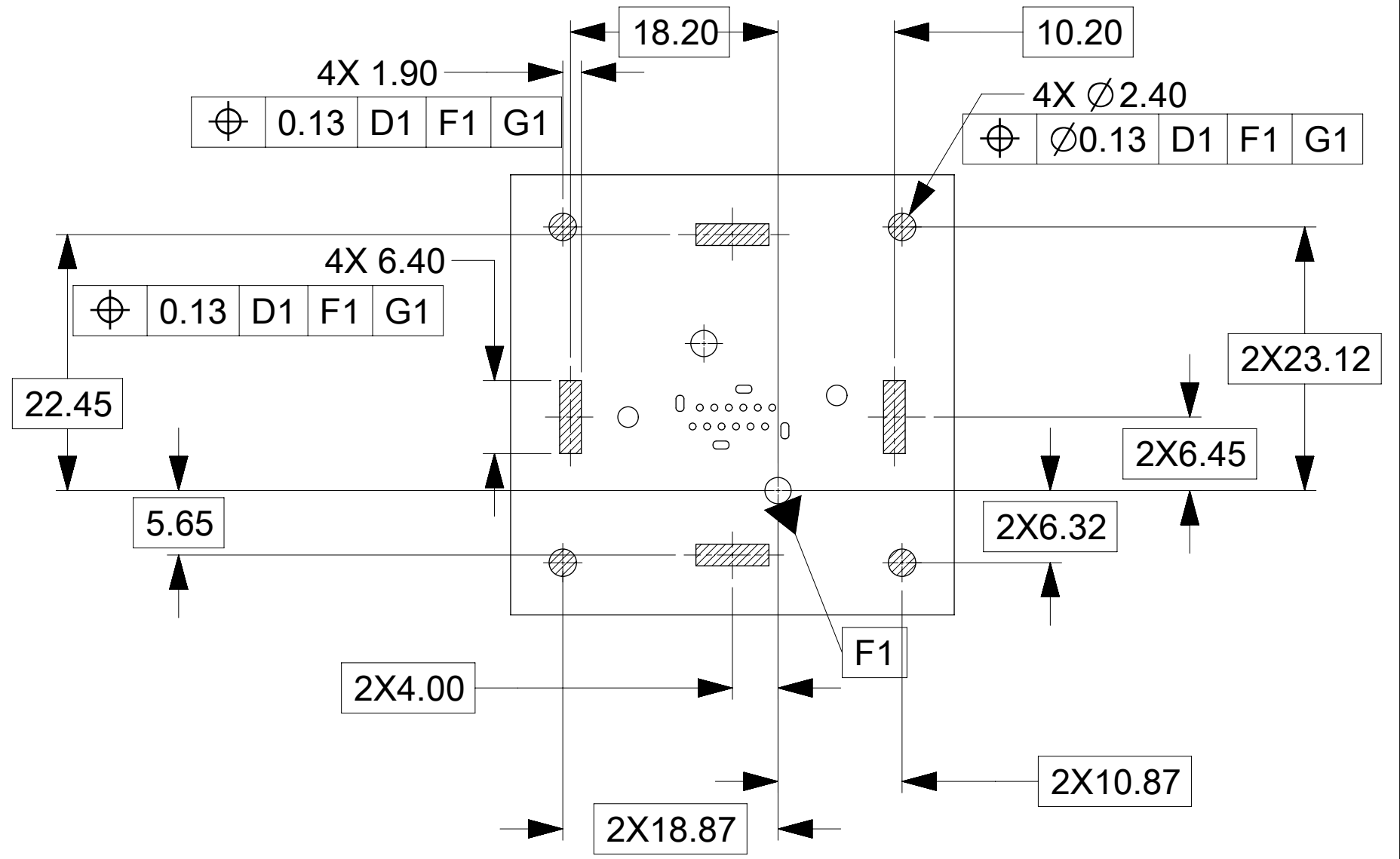
DIM 7	
PART NUMBER	VALUE
34858-0X06	2.25
34858-0X16	1.75

SYMBOLS	THIS DRAWING CONTAINS INFORMATION THAT IS PROPRIETARY TO MOLEX ELECTRONIC TECHNOLOGIES, LLC AND SHOULD NOT BE USED WITHOUT WRITTEN PERMISSION				
	DIMENSION UNITS	SCALE			
▽ = 0	mm		EC NO: 604086		
▽ = 0	GENERAL TOLERANCES (UNLESS SPECIFIED)		DRWN: DGILKEY	2018/09/06	12 CKT HSAUTOLINK II VERT SEALED HEADER ASSEMBLY
▽ = 0	ANGULAR TOL ± 1.0°		CHK'D: DNAYLIS	2018/09/06	
▽ = 0	4 PLACES ±		APPR: DNAYLIS	2018/09/06	
▽ = 0	3 PLACES ±		INITIAL REVISION:		
▽ = 0	2 PLACES ± 0.13		DRWN: KPATRA	2017/02/07	PRODUCT CUSTOMER DRAWING DOCUMENT NUMBER: SD-34858-002 DOC TYPE: PSD DOC PART: 000 REVISION: A5
▽ = 0	1 PLACE ± 0.25		APPR: DNAYLIS	2018/01/03	
▽ = 0	0 PLACES ±		DRAFT WHERE APPLICABLE MUST REMAIN WITHIN DIMENSIONS		
☒ = 0	THIRD ANGLE PROJECTION		DRAWING	SERIES	MATERIAL NUMBER
■ = 0	DRAFT WHERE APPLICABLE MUST REMAIN WITHIN DIMENSIONS		D-SIZE	34858	SEE CHART
▽ = 0			GENERAL MARKET		SHEET NUMBER
			3 OF 4		

**SHEET DESCRIPTION**  
RECOMMENDED PCB LAYOUT



**PCB KEEP OUT REGIONS**



**DETAIL 4**  
SCALE 10:1

SYMBOLS	THIS DRAWING CONTAINS INFORMATION THAT IS PROPRIETARY TO MOLEX ELECTRONIC TECHNOLOGIES, LLC AND SHOULD NOT BE USED WITHOUT WRITTEN PERMISSION					
	DIMENSION UNITS	SCALE	CURRENT REV DESC: CORRECT ECTR ERROR			<b>molex</b>
$\nabla$ = 0	mm				12 CKT HSAUTOLINK II VERT SEALED HEADER ASSEMBLY	
$\nabla$ = 0	GENERAL TOLERANCES (UNLESS SPECIFIED)					PRODUCT CUSTOMER DRAWING
$\nabla$ = 0	ANGULAR TOL	± 1.0°	EC NO: 604086			DOCUMENT NUMBER
$\nabla$ = 0	4 PLACES	±	DRWN: DGILKEY 2018/09/06			DOC TYPE
$\nabla$ = 0	3 PLACES	±	CHK'D: DNAYLIS 2018/09/06			DOC PART
$\nabla$ = 0	2 PLACES	± 0.13	APPR: DNAYLIS 2018/09/06			REVISION
$\nabla$ = 0	1 PLACE	± 0.25	INITIAL REVISION:			SD-34858-002
$\nabla$ = 0	0 PLACES	±	DRWN: KPATRA 2017/02/07			
$\square$ = 0	DRAFT WHERE APPLICABLE MUST REMAIN WITHIN DIMENSIONS					PSD 000
$\square$ = 0	THIRD ANGLE PROJECTION		DRAWING SERIES		MATERIAL NUMBER CUSTOMER	
$\square$ = 0			D-SIZE 34858		SEE CHART GENERAL MARKET	
$\square$ = 0					SHEET NUMBER	
					4 OF 4	