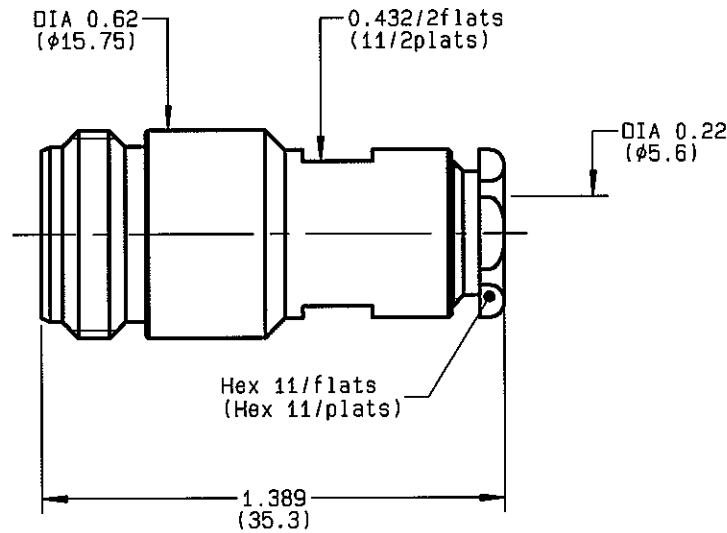


STRAIGHT JACK CLAMP TYPE CABLE 5/50 S+D	R161.206.000 SERIES N
--	---------------------------------



NOMINAL IMPEDANCE	50 Ω
FREQUENCY RANGE	0-11 GHz
TEMPERATURE RATING	-55/+155 °C
V.S.W.R	1.30 + x F(GHz)Maxi
RF INSERTION LOSS	0.048 √F(GHz) dB Maxi
VOLTAGE RATING	850 Veff Maxi
DIELECTRIC WITHSTANDING VOLTAGE	1500 Veff Mini
INSULATION RESISTANCE	5000 MΩMini
HERMETIC SEAL	NA Atm.cm ³ /s
LEAKAGE (pressurized only)	NA
MECHANICAL DURABILITY	500 Cycles
WEIGHT	30.4 gr
SPECIFICATION	

- CABLES :
- KX 15**
 - KX 23**
 - RG 141**
 - RG 142**
 - RG 142 FTX**
 - RG 223**
 - RG 400**
 - RG 58**

OTHERS CHARACTERISTICS

CABLE RETENTION	150	N Mini
CENTER CONTACT RETENTION		
Axial force - mating end	27	N Mini
Axial force - opposite end	27	N Mini
Torque	NA	cm.N Mini
RECOMMENDED TORQUES		
Mating	NA	cm.N
Panel nut	NA	cm.N
Clamp nut	450	cm.N

CONNECTOR PARTS:	MATERIALS	FINISH	(all values are given) in micrometers
BODY	BRASS	BBR 2	
OUTER CONTACT	BRASS	BBR 2	
CENTER CONTACT	BERYLLIUM COPPER	GOLD 0.5 OVER NICKEL 2	
INSULATOR	PTFE	-	
GASKET		-	
OTHERS PIECES	BRASS	BBR 2	

BONDMINI

ISSUE 0518 U	CREATION DATE 15/10/1992	FILE PART-NUMBER EPC 96-07
------------------------	------------------------------------	--------------------------------------

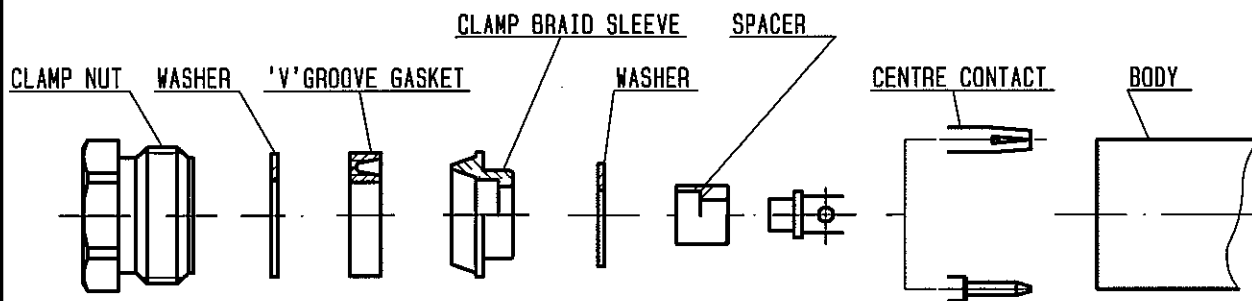


The information given here is subject to change without notice.
Design changes may be in order to improve the product .

Connect to the future



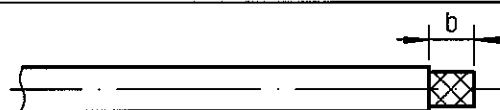
R161.206.000
 ISSUE 0518U
 SERIES N



①

Strip the cable .

-
-
-
-

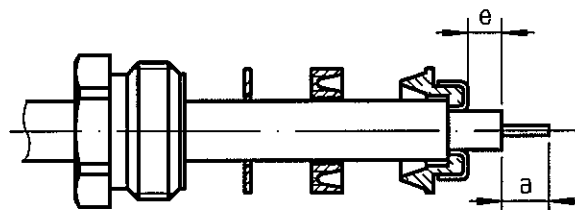


Stripping	a	b	c	d	e
inch	0.157	0.295	0	0	0.039
mm	4	7.5			1

②

Slide the clamp nut , the washer and the 'V'groove gasket onto the cable .
 Slide clamp braid sleeve over braid .
 Fold back braid and trim off surplus braid .
 Trim back dielectric as shown .

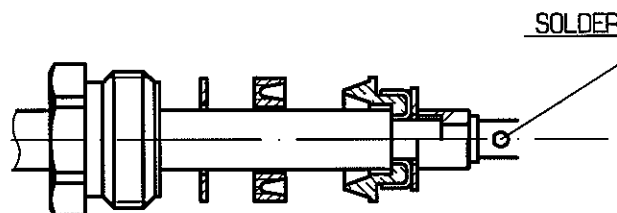
-



③

Slide the washer and the spacer onto the dielectric .
 Solder the cable inner conductor into centre contact .

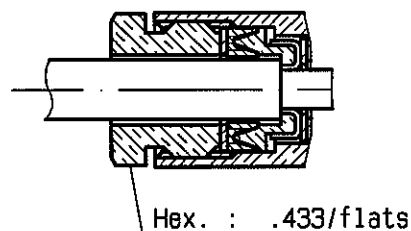
-
-



④

Screw sub-assembly into the connector body .
 (recommended coupling torque 39.83 in.lb)

-
-



BONOMINI