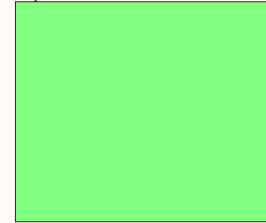


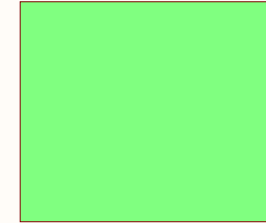
TABLE OF CONTENTS	
PAGE	DESCRIPTION
1	TITLE PAGE
2	CONNECTORS
3	SKYWIRE
4	POWER
5	ECO LIST

TITLE PAGE

TOP
Top.SchDoc



ECO
ECO LIST.SchDoc



© NimbeLink Corp. 2017. All rights reserved.

NimbeLink Corp. provides this documentation in support of its products for the internal use of its current and prospective customers. The publication of this document does not create any other right or license in any party to use any content contained in or referred to in this document and any modification or redistribution of this document is not permitted.

While efforts are made to ensure accuracy, typographical and other errors may exist in this document. NimbeLink reserves the right to modify or discontinue its products and to modify this and any other product documentation at any time.

All NimbeLink products are sold subject to its published Terms and Conditions, subject to any separate terms agreed with its customers. No warranty of any type is extended by publication of this documentation, including, but not limited to, implied warranties of merchantability, fitness for a particular purpose and non-infringement.

Skywire and NimbeLink are trademarks of NimbeLink Corp. All other trademarks appearing in the document are the property of their respective owners.

IMPORTANT NOTES ABOUT THIS SCHEMATIC

DESIGN NOTE: Example text for the design note to show the note inside the colored box.

1) DESIGN NOTES in grey are information notes.

DESIGN NOTE: Example text for the design note to show the note inside the colored box.


2) DESIGN NOTES in red are critical, and must be understood and followed.

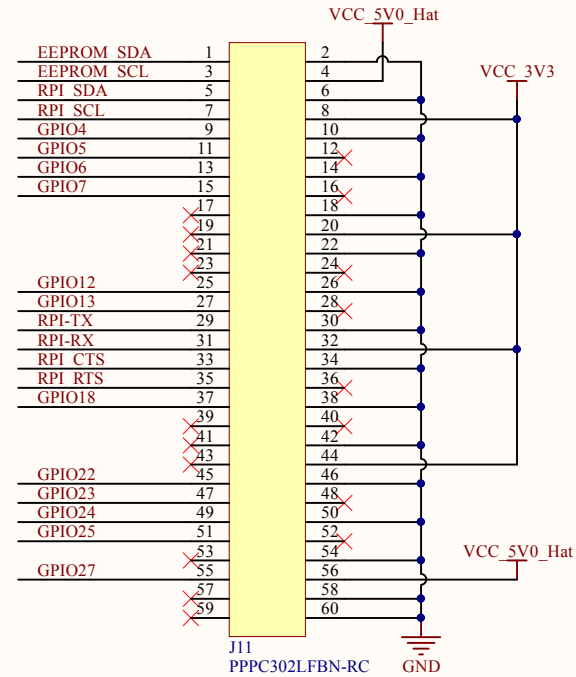
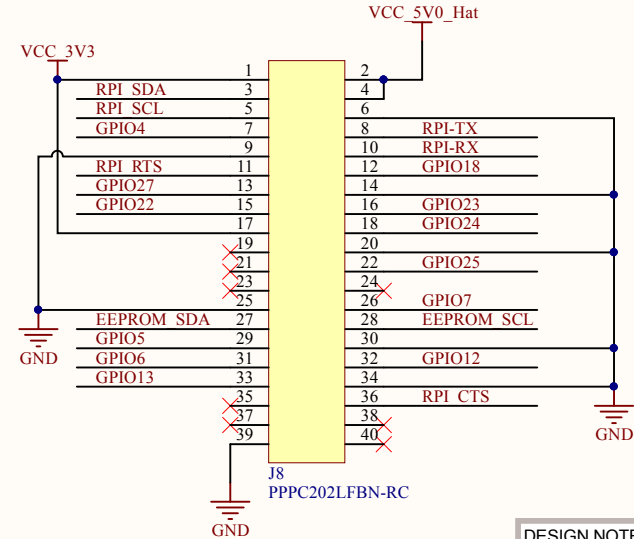
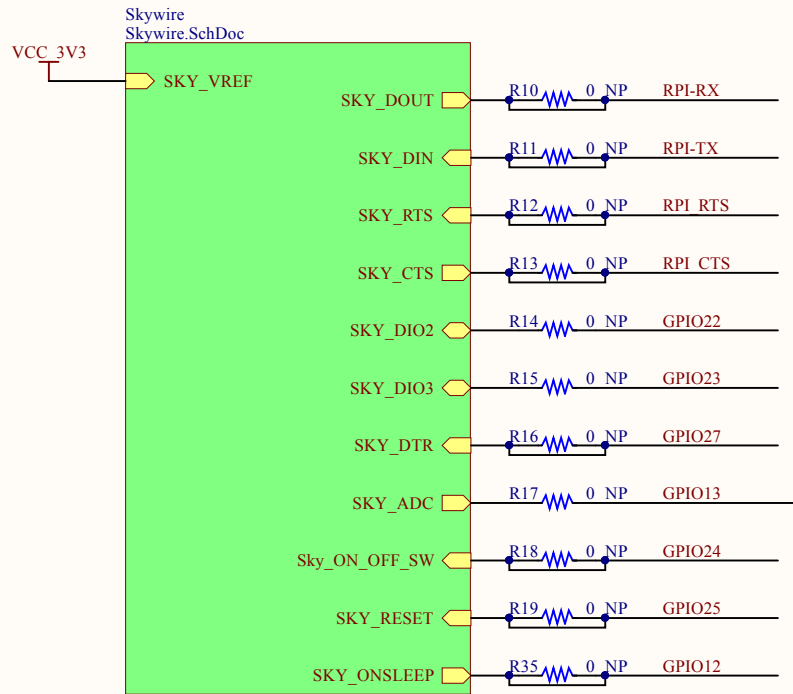
✘ 3) A red X indicates suppression of error checking on a pin/net. Commonly suppressed errors include: single-pin net, no driving source, etc.

4) All unique components in this schematic should have a manufacturer's part number displayed; exceptions to this rule are commodity passives such as resistors and capacitors.

5) Finally, population vs. non-population intent is indicated by adding "NP" next to the part. All parts with "NP" next to the part are intended to be unplaced during assembly.

© NimbeLink Corp. 2017. All rights reserved.

		www.nimbelink.com MINNEAPOLIS	
Title: TITLE			
Project: Skywire RPI Hat	Size: B	Sheet 1	of 5
Number: 1001430	Rev: A	Modified: 5/22/2017	10:45:38 AM
Prepared for: Nimbelink			

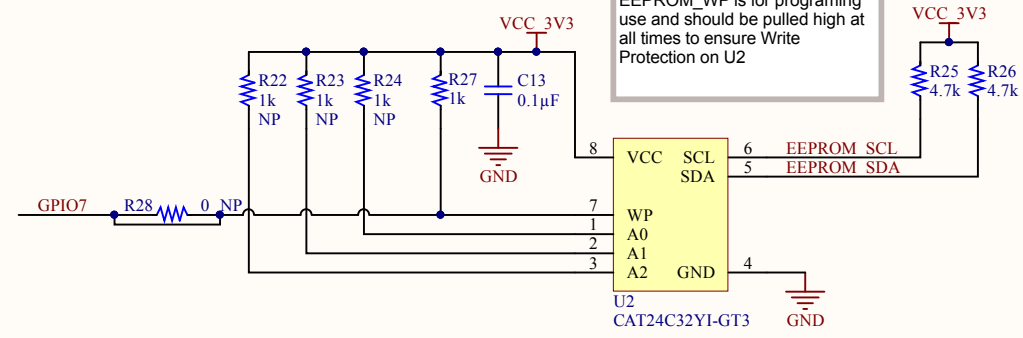
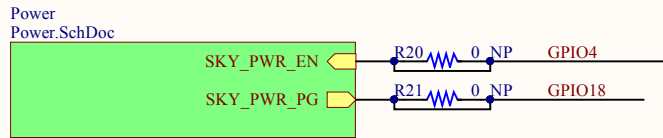


DESIGN NOTE:
J8 allows the adapter to be used with the Raspberry Pi 3.

J11 Allows for the adapter to be used with the Raspberry Pi Compute Module I/O board. Connect J11 to J5 on the Compute Module I/O Board.

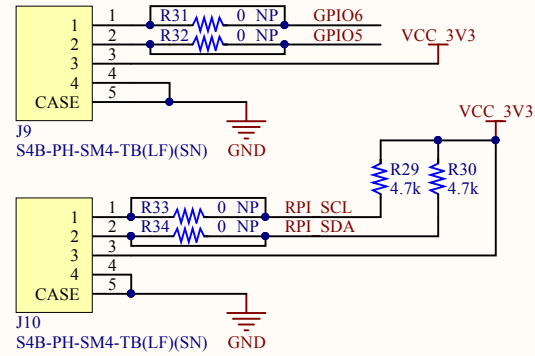
DESIGN NOTE: R14, R15, and R17 are included, but not populated, to allow support for additional features on future skywire modems.

DESIGN NOTE: 0 ohm resistors R10, R11, R12, R13, R16, R18, R19, R20, R21, R28, and R31-R34 have a short through them to allow the 0 ohm resistors not to be placed. If users need to reroute a signal cut the trace inbetween the resistor pads, this will allow for the signal to be easily reconnected if needed.



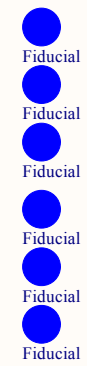
DESIGN NOTE: EEPROM address is: 0x54

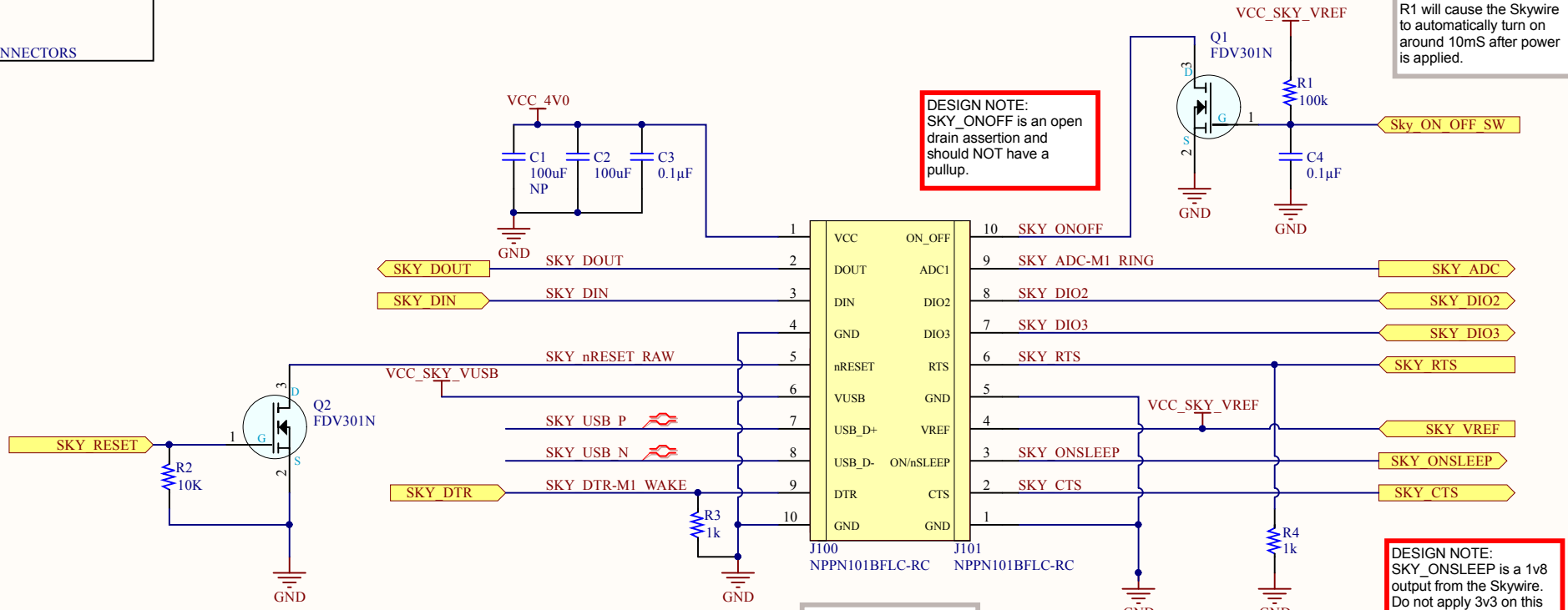
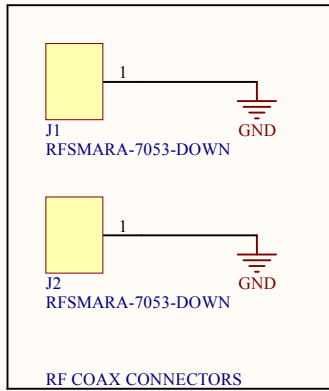
EEPROM_WP is for programing use and should be pulled high at all times to ensure Write Protection on U2



Memory Image
_1001433

PCB
_1001431





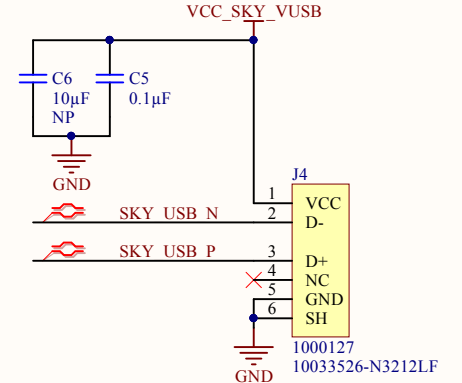
DESIGN NOTE:
SKY_ONOFF is an open drain assertion and should NOT have a pullup.

DESIGN NOTE:
R1 will cause the Skywire to automatically turn on around 10mS after power is applied.

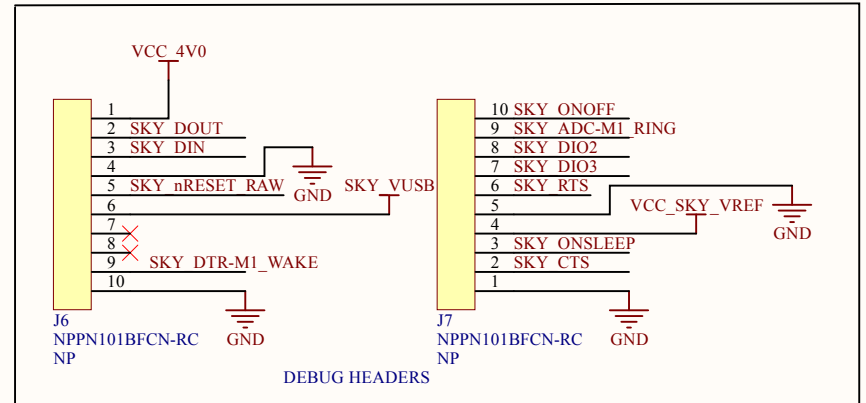
DESIGN NOTE:
Skywire socket is two 2mm pitch 1x10 sockets

DESIGN NOTE:
SKY_ONSLEEP is a 1v8 output from the Skywire. Do not apply 3v3 on this line.

DESIGN NOTE:
The Skywire USB Port will not power the Raspberry Pi or the Skywire.



DESIGN NOTE:
Sky USB DM and DP are not connected to the debug headers.



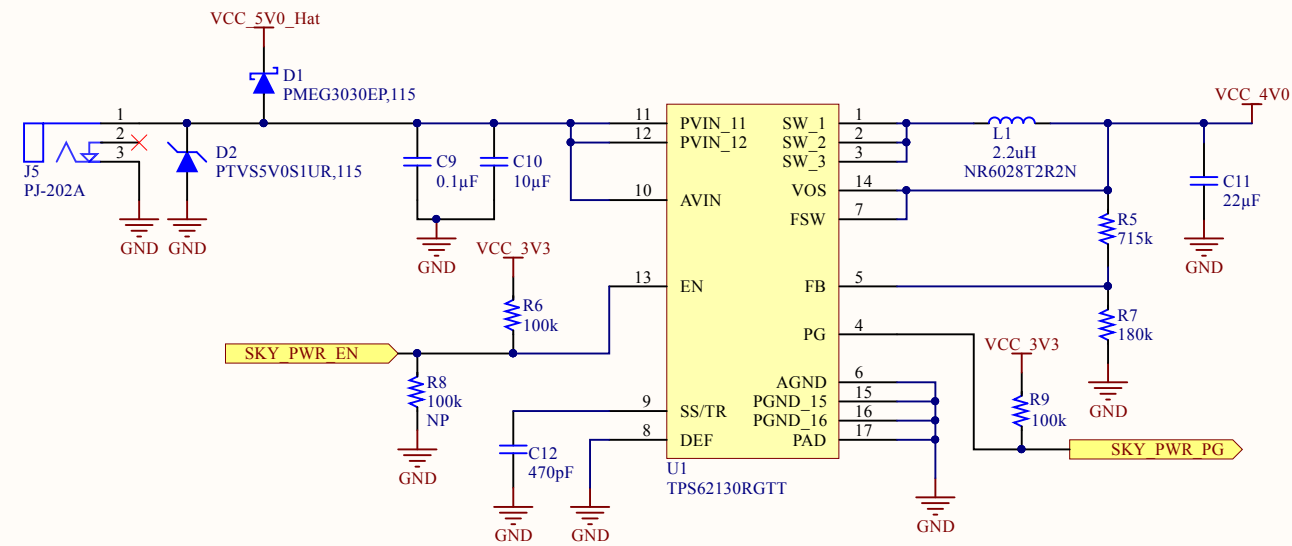
© NimbeLink Corp. 2017. All rights reserved.

NimbeLink		www.nimbelink.com	
MINNEAPOLIS			
Title: SKYWIRE			
Project: Skywire RPI Hat	Size: B	Sheet 3	of 5
Number: 1001430	Rev: A	Modified: 5/22/2017	10:45:38 AM
Prepared for: Nimbelink			

POWER

DESIGN NOTE:
5V Must be applied for
Skywire to be powered.

DESIGN NOTE: Hat is
designed for 5V input
only.



© NimbeLink Corp. 2017. All rights reserved.

www.nimbelink.com		MINNEAPOLIS	
Title: POWER			
Project: Skywire RPI Hat	Size: B	Sheet 4	of 5
Number: 1001430	Rev: A	Modified: 5/22/2017	10:45:38 AM
Prepared for: Nimbelink	CONFIDENTIAL		

ECO LIST

Revision Control			
Assy Part Number	Rev	Description of Change	Date
1001386	A	Alpha Release	2017-03-16
1001386	B	SCH Changes: -NP R22	2017-05-15
1001430	A	SCH Changes: -Moved Skywire RTS connection from J11-33 to J11-35. -Moved Skywire CTS connection from J11-23 to J11-33 -Connected Skywire pin 13 (J101-3) to RPI headers GPIO12 -Added R35 (NP) -Updated Memory Image PN -Updated PCB PN PCB Changes -Added 5V Silkscreen indicator near J5 -Implemented SCH changes	2017-05-19

Revision Control			
Assy Part Number	Rev	Description of Change	Date

© NimbeLink Corp. 2017. All rights reserved.