

LED Strip Specifications

DESCRIPTION: EM Led Strip

MODEL NO:

EM-LED-ALS-24V-1W23-3535-156-3-YT1339(XPG)

Shanghai Edge Light Industry Co,LTD.

TEL:+86-21 -64412288

FAX:+86-21-64412266

E-mail: info@edgelight.com



Record of modification

Description:

Modification date	Modification description	Modification Content	Operating date	Confirmation		
				Primarily Approved by	Review	complete
		First edition				
2018.12.28	2022.08.30					

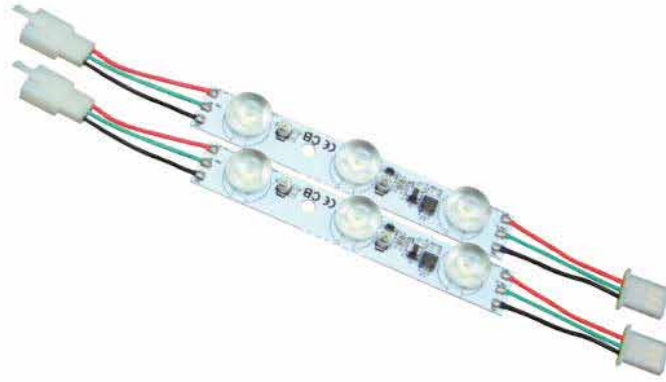


Table of contents

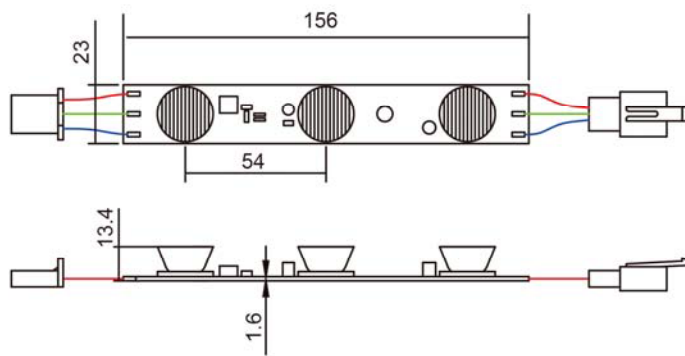
1.Product picture	4
2.Dimension drawing	4
3.Accessories	5
4.Connection mode	6
5.Features LED	8
6.Technical Request	9
7.Characteristics and range of application.....	9
8. Notice	10
9. Use manual	10
10. How to name	10



1. 实物图 Picture of real products



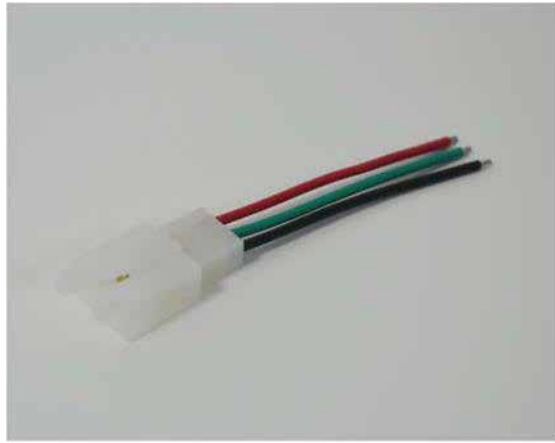
2. 平面尺寸图 Dimension (mm)



3. Accessories



ME-SCM/ME-SCG



EM-DC-3B-1B2D8G-18#RGK-70



EM-DC-3B-1B2D8M-18#RGK-200



EM-DC-3B-1B2D8M-18#RGK-30



EM-DC-2B-1B5525M-18#RK-70

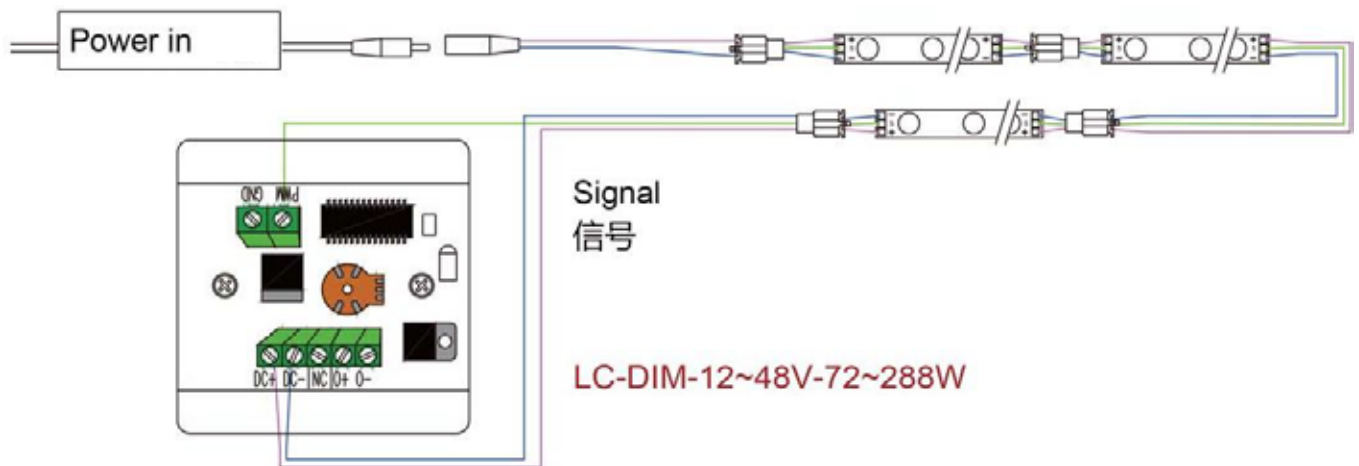


4.Connection mode

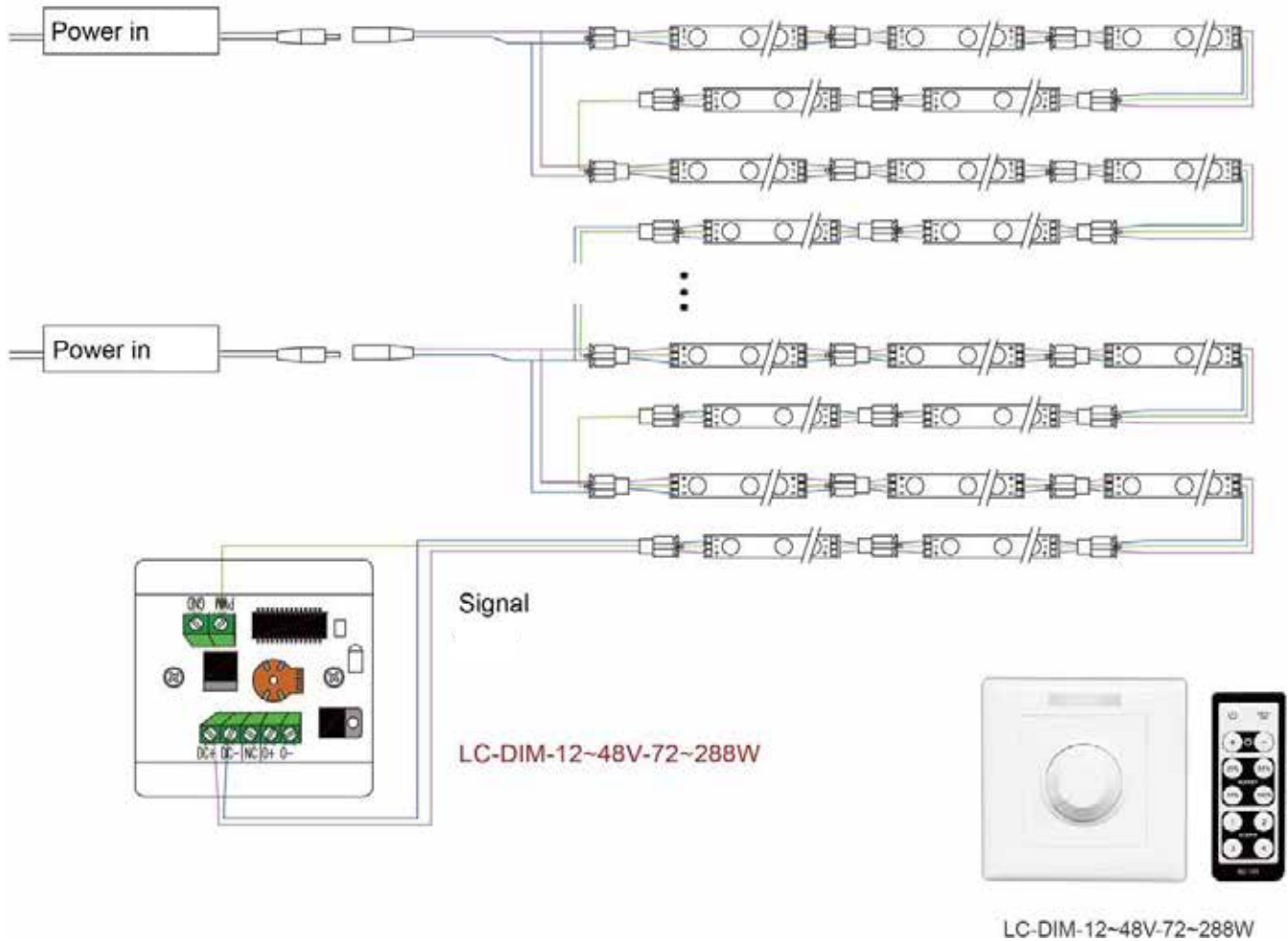
There' re two type operation method for this LED strip , one is dimmable ,the other is not dimmable .

Dimming mode as below , without the dimmer ,LED strip will work none dimmable

Connection mode if less than 5 LED strips/5



⇨ Connection mode if more than 5 LED strips



5. LED Features

Item	Parameter
LED compound mode	3 Cascade 1 parallel
Minimum truncation size	---
Lamp bead (center) spacing	80mA
LE D Part No	LE D3535
LE D Chip No	LP
LED current	1500mA
Or Tc (k) Or Wavelength λ_d (nm)	6000K- 7000K
LED Color	White
LED lumen	110 lm/W



6. Technical Request

NO	Item	Units	Parameter range
1	working environment	°C	-20~50 30%-70%
2	storage condition	°C	-20~50 30%-70%
3	work frequency	Hz	50/60Hz
4	work voltage range	V	24V±0.5
5	Max input current	mA	374±10%
6	output power	W	9±10%
7	LED LUMEN	LM	943±10%

7. Characteristics and range of application

Suitable for indoor and outdoor LED lighting and decoration, and the assembly of slim light boxes.
 This series of LED strips can be spliced. They are very easy and convenient to install.



8. Notice

This product has basic function of heat dissipation

1. When using: pls fixed the led strip on the aluminum profile to assure heat dissipation well

Without aluminum frame, must use the heat sink.

Dimension of heat sink: width: more than 23mm thickness: 8mm shape: like the wings

Size need more than 23mm width multiply 8mm heat sink

9. Use manual

Please read the specification first to make sure the using condition is fit.

Please shut off the switch before connect the product, then turn on.

.Indoor use only.

More LED products checked website links.

www.edgelight.com

