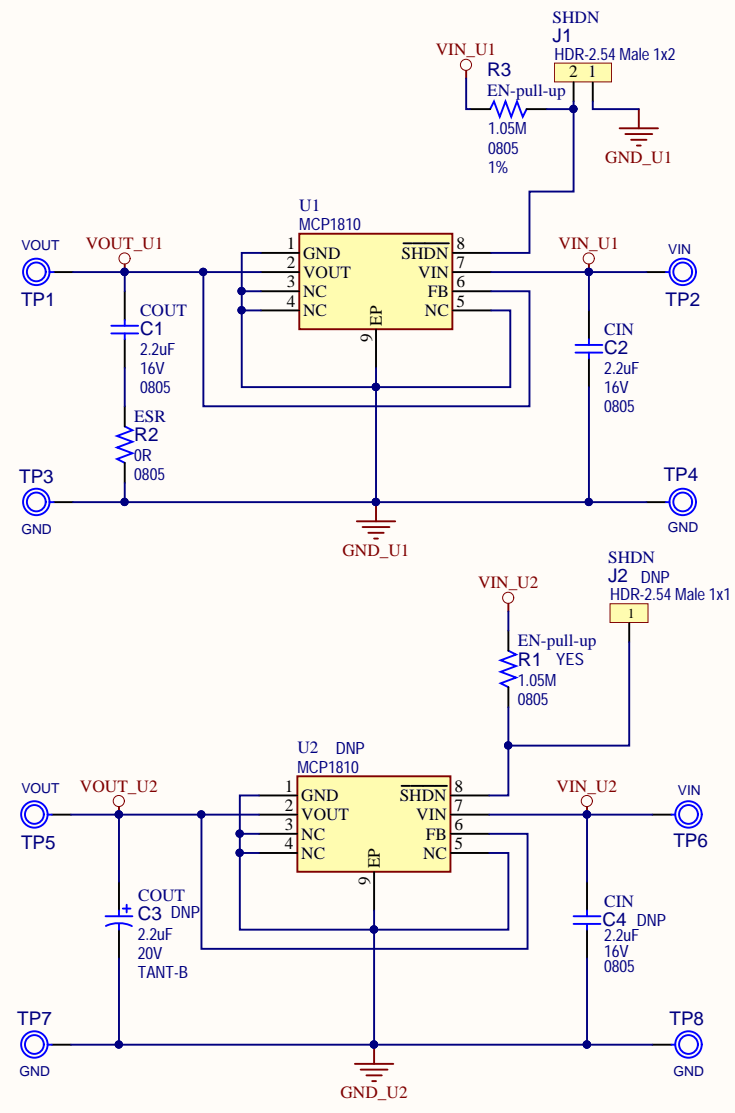


REV	ECO#	DESCRIPTION	DATE



LABEL2  
02- -R1  
JIT  
LABEL Need Help Small

Drawn By: Mihai Sterescu		
Engineer: Mihai Sterescu		
PartNumber: ADM00808	Project Title <b>MCP1810 Evaluation Board</b>	
Sheet Title MCP1810 Evaluation Board Schematic	Designed with 	
Size B	Sch #03-10619	Date: 23-Nov-16 11:03:38 AM
File: MCP1810.SchDoc	Revision:1	Sheet 1 of 1