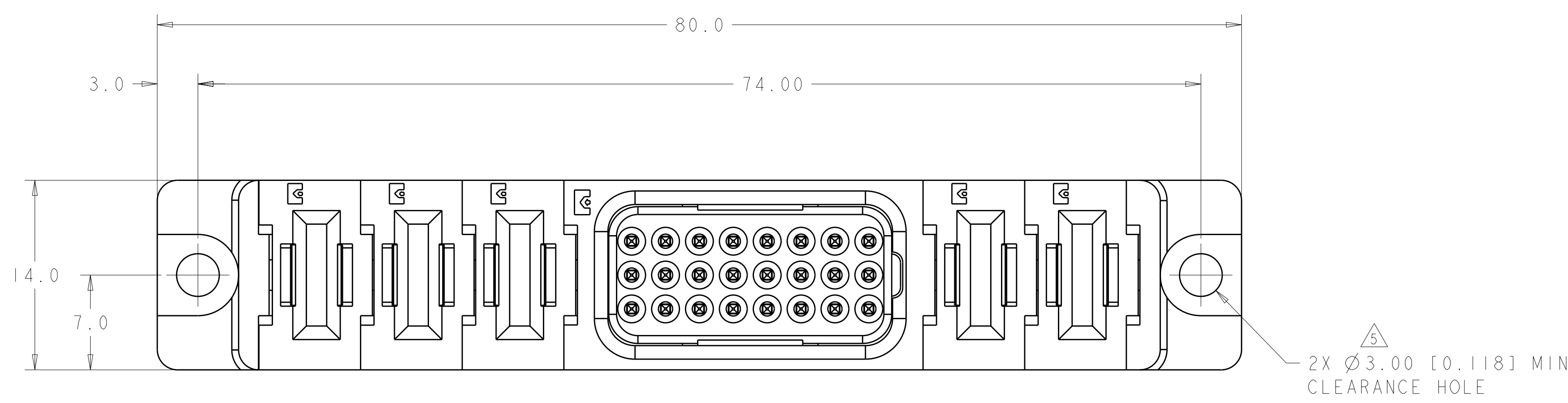


LOC	DIST	REVISIONS					
GP	00	P	LTR	DESCRIPTION	DATE	DWN	APVD
		A		NEW RELEASE	13SEP107	RG	PD
		B		REV PER ECO-11-020831	12SEP2011	RG	MS



- PART NUMBER CHANGES AND OR DESIGN CHANGES AFFECTING ITEM INTERCHANGEABILITY REQUIRE PRIOR TYCO ELECTRONICS APPROVAL AND AUTHORIZATION BY REVISION TO THIS DRAWING.
- MATERIAL:
  - INSULATORS - THERMOPLASTIC, GLASS REINFORCED, COLOR: BLACK, UL94V-0 FLAMMABILITY RATED.
  - POWER CONTACTS - PHOSPHOR BRONZE ALLOY, COPPER ALLOY
  - CROWN BAND-BERYLLIUM COPPER ALLOY
  - SIGNAL CONTACTS-BERYLLIUM COPPER ALLOY
- FINISH:
  - CONTACTS - GOLD PLATE .76µm MIN. THK., OVER NICKEL 1.27µm MIN. THK
  - SOLDER TAILS- TIN 3.05 MIN. THK. OVER NICKEL 1.27µm MIN THK.

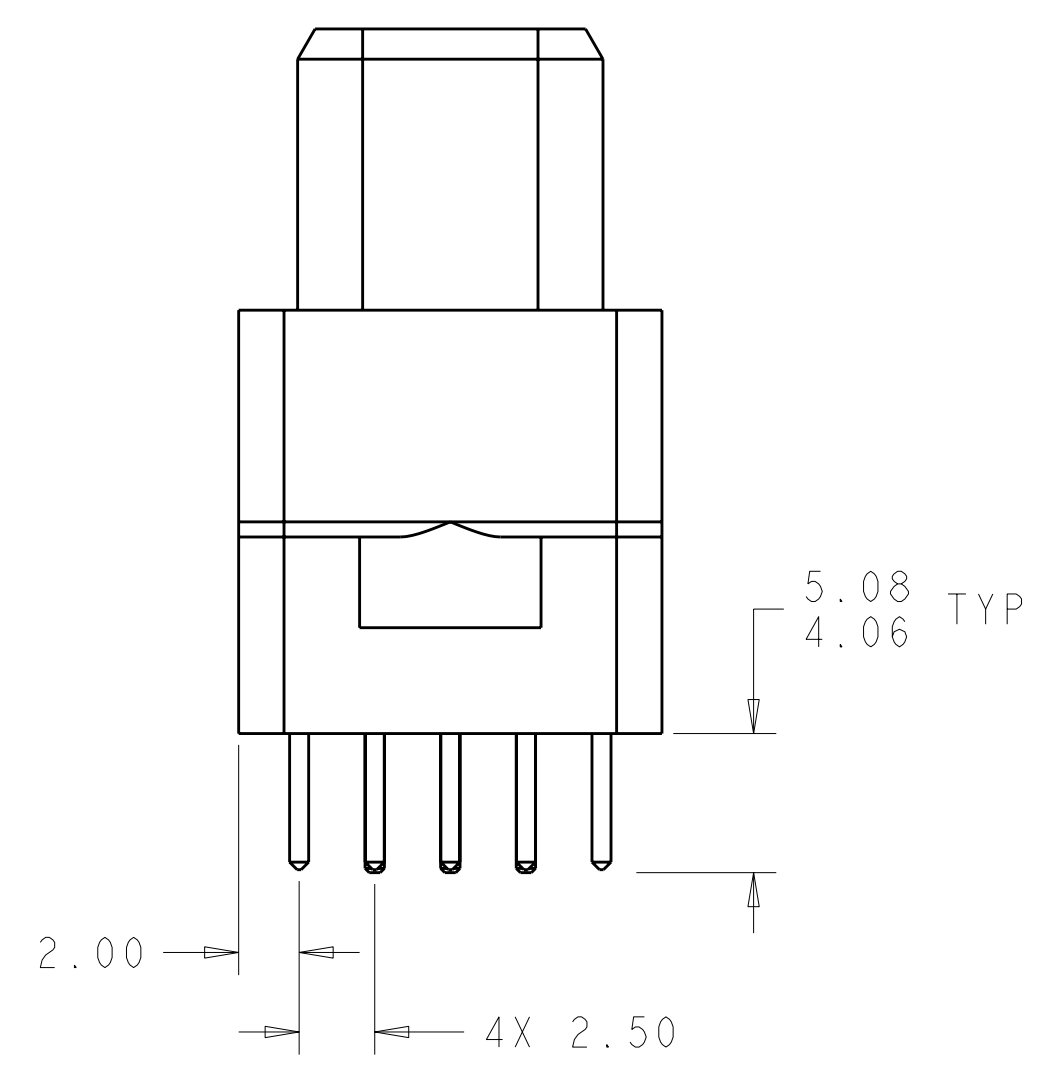
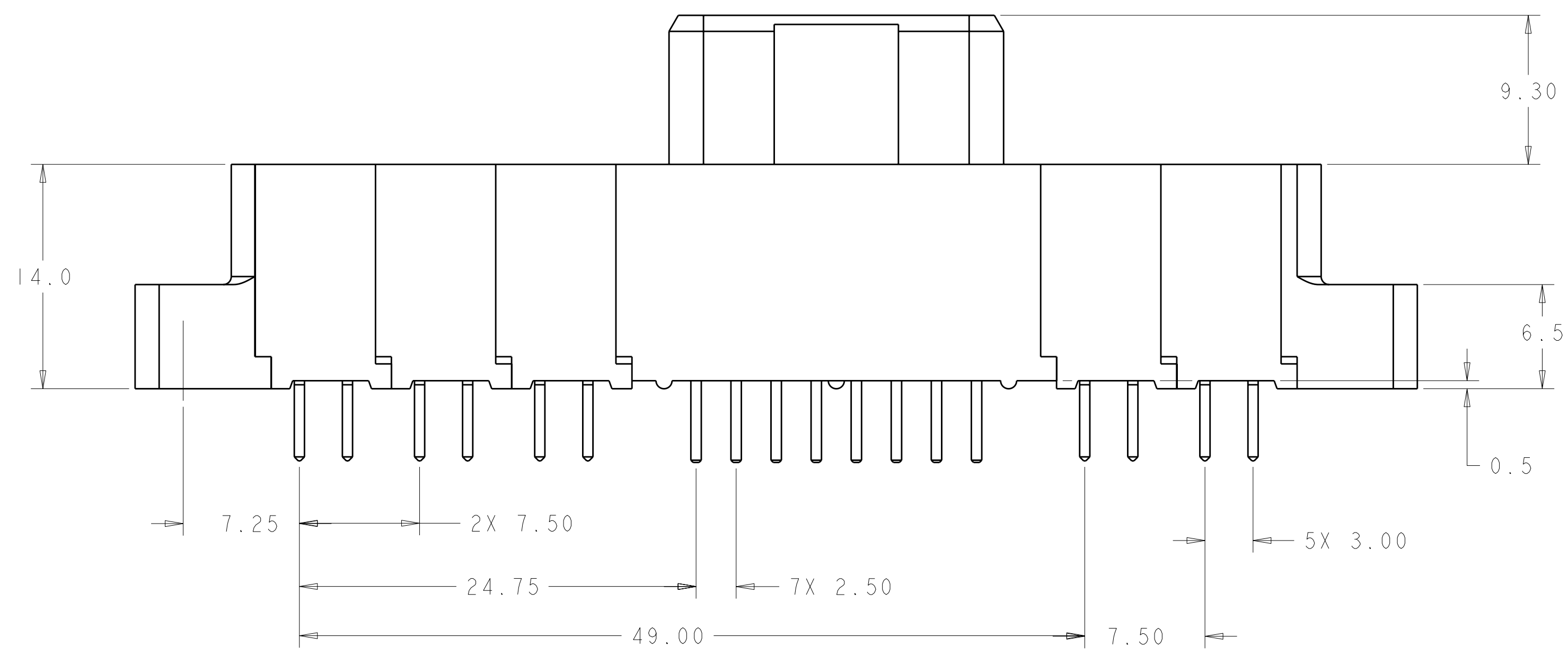
ITEMS PROVIDED TO THIS SPECIFICATION TO BE PERMANENTLY IDENTIFIED PER THE FOLLOWING IDENTIFIER LABEL

YEAR WEEK

TYCO ELECTRONICS P/N DATE CODE (e.g. 0106)

XXXXXXXX-X XXXX

MOUNTING FLANGES ACCEPT #6 SCREWS. (USER SUPPLIED)



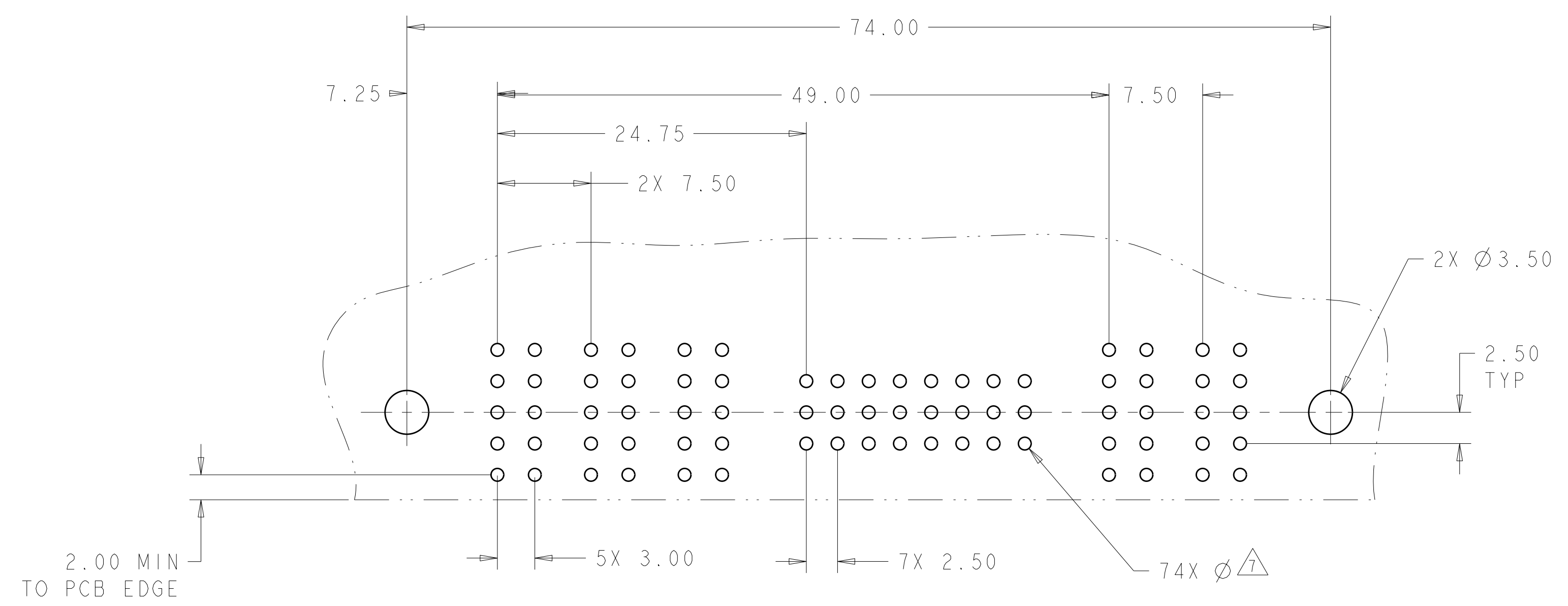
ELCON FLATPAQ

DIMENSIONS:		TOLERANCES UNLESS OTHERWISE SPECIFIED:		DWN: R. GRZYBOWSKI 13SEP107	
mm	0 PLC ±	1 PLC ±0.3 (1.012)	2 PLC ±0.15 (1.006)	CHK: P. DAMATO 13SEP107	APVD: S. FLICKINGER 13SEP107
	3 PLC ±	4 PLC ±	ANGLES ±	NAME: R. GRZYBOWSKI	
MATERIAL:	FINISH:	WEIGHT:	CUSTOMER DRAWING	Tyco Electronics Harrisburg, PA 17105-3608	
				PRODUCT SPEC:	
				APPLICATION SPEC:	
				SIZE: A   00779   C=6646273	
				RESTRICTED TO:	
				SCALE: 3:1 SHEET 1 OF 3 REV B	

AS SHOWN	6646273-1
DESCRIPTION	PART NUMBER

SOCKET CONNECTOR  
 STRAIGHT, SOLDER TAILS  
 FLATPAQ

LOC	DIST	REVISIONS			
P	LTB	DESCRIPTION	DATE	DWN	APVD
GP	00	SEE SHEET 1	-	-	-



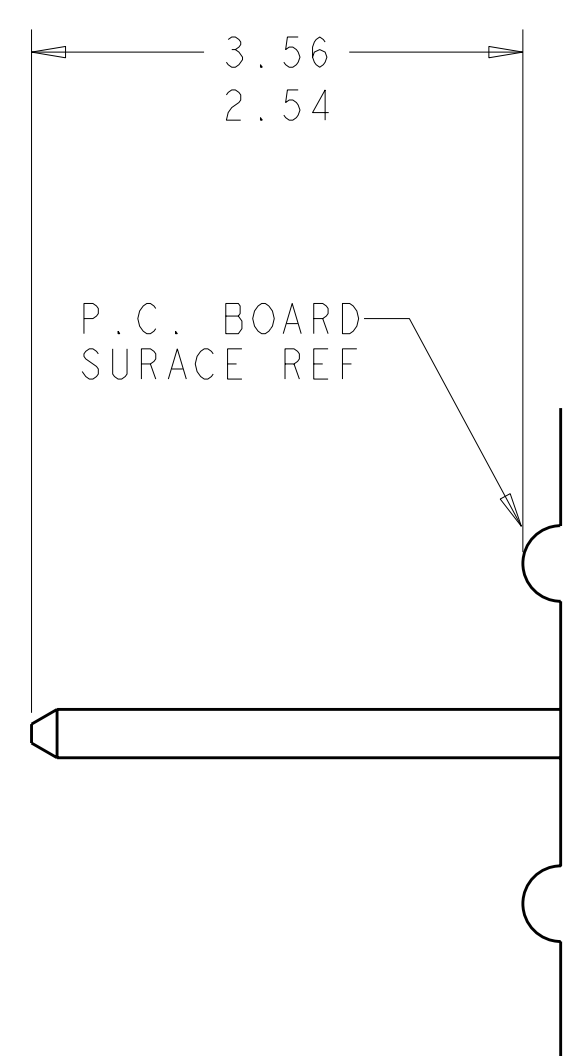
PRINTED CIRCUIT LAYOUT  
 COMPONENT SIDE

CONNECTOR	CATALOG MODULE #	QTY	SIZE NO.	CONTACT QTY	MATING PIN	MAX. CURRENT (PER CONTACT)	CONTACT SPACING	VOLTAGE RATING
SOCKET	FP100	5	8	5	1.25 X 7.00 [.049 X .276]	35 amps	7.50 [0.295]	250 VOLTS
	FP301	1	22	24	.64 [.025] SQ.	3 amps	2.50 [.0984]	125 VOLTS
	FP500	1	MOUNTING FLANGE, LEFT					
	FP501	1	MOUNTING FLANGE, RIGHT					

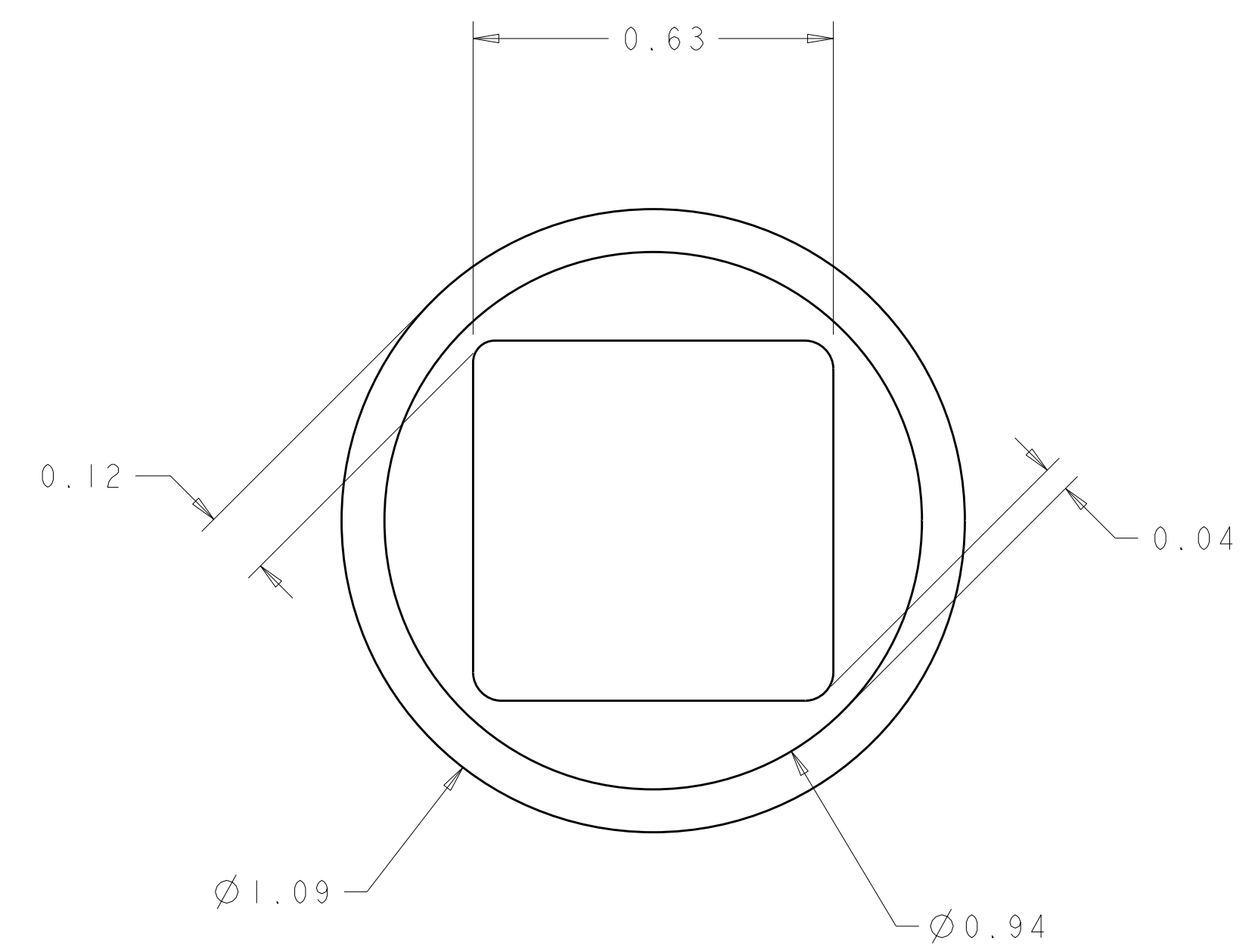
ELCON FLATPAQ

DIMENSIONS: mm 		TOLERANCES UNLESS OTHERWISE SPECIFIED: 9 PLC ±.3 [.012] 3 PLC ±0.15 [1.006] 4 PLC ±. ANGLES ±.3		DWN R. GRZYBOWSKI 13SEP107 CHK P. DAMATO 13SEP107 APVD S. FLICKINGER 13SEP107		Tyco Electronics Harrisburg, PA 17105-3608	
MATERIAL: - FINISH: -		WEIGHT: -		NAME: SOCKET CONNECTOR STRAIGHT, SOLDER TAILS FLATPAQ		SIZE: A   00779   C=6646273	
CUSTOMER DRAWING				SCALE: 3:1		SHEET 2 OF 3 REV B	

LOC	DIST	REVISIONS			
P	LTB	DESCRIPTION	DATE	DWN	APVD
GP	00	SEE SHEET 1	-	-	-



6. SOLDER PIN DETAIL  
SCALE 10 : 1



**7** SOLDER TERMINATION AREA  
 SCALE 40:1  
 RECOMMENDED PRINTED CIRCUIT SOLDER HOLE  
 FINISHED HOLE: Ø1.02 [ .040 ] ±.08 [ .003 ]  
 DRILLED HOLE: Ø1.15 [ .0453 ] ±.013 [ .0005 ]  
 COPPER PLATE: .025 [ .0010 ] MIN  
 TIN PLATE: .008 [ .0003 ] MIN. (PER SURFACE)

ELCON FLATPAQ

<small>THIS DRAWING IS UNPUBLISHED. RELEASED FOR PUBLICATION BY TYCO ELECTRONICS CORPORATION. IT IS SUBJECT TO CHANGE WITHOUT NOTICE AND WITHOUT OBLIGATION. SHOULD BE CONTACTED FOR THE LATEST REVISION.</small>		DWN: R. GRZYBOWSKI 13SEPT07 CHK: P. DAMATO 13SEPT07 APVD: S. FLICKINGER 13SEPT07	Tyco Electronics Harrisburg, PA 17105-3608
DIMENSIONS: mm 	TOLERANCES UNLESS OTHERWISE SPECIFIED: 0 PLC ±. 1 PLC ±0.3 [ .012 ] 2 PLC ±0.15 [ .006 ] 3 PLC ±. 4 PLC ±. ANGLES ±.	NAME: SOCKET CONNECTOR STRAIGHT, SOLDER TAILS FLATPAQ PRODUCT SPEC: APPLICATION SPEC:	SIZE: A   00779   C=6646273 SCALE: 3:1 SHEET: 3 OF 3 REV: B
MATERIAL: -	FINISH: -	WEIGHT: -	CUSTOMER DRAWING