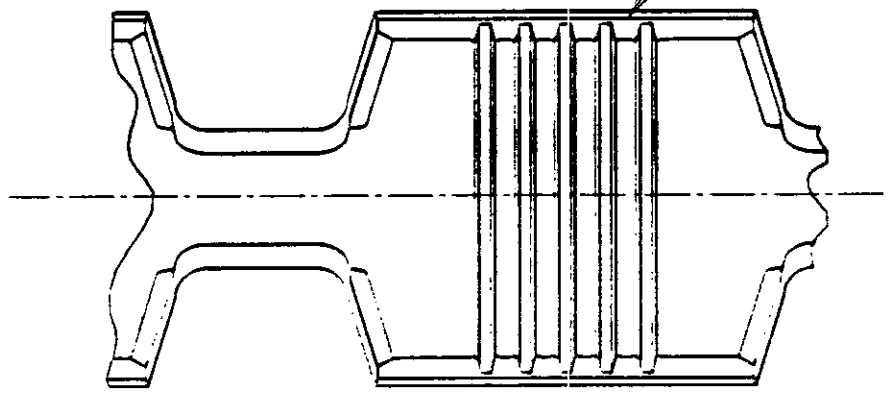


SCALE 2

5 RANURAS AMPLIVAR
 5 AMPLIVAR SERRATIONS



FINISH	MATERIAL	PART N°
TIN ESTANADO	BRASS/LATON	42779-2
-----	BRASS/LATON	42779-1

THIS DRAWING IS A CONTROLLED DOCUMENT OF AMP INCORPORATED. IT IS SUBJECT TO CHANGE AND THE CONTROLLING ENGINEERING ORGANIZATION SHOULD BE CONTACTED FOR THE LATEST EDITION. ESTE PLANO ES UN DOCUMENTO CONTROLADO DE AMP INCORPORATED. PUEDE SER MODIFICADO PARA LA ÚLTIMA VERSIÓN. CONTACTAR CON LA ORGANIZACIÓN DE CONTROL DE INGENIERÍA		OWN DIB: 20-FEB-96 DRAWN: 20-FEB-96 CHK COMP: 20-FEB-96 APVD APP: 20-FEB-96	AMP AMP Espana, S.A. Barcelona, Esp.
DIMENSIONS DIMENSIONES mm	TOLERANCES UNLESS OTHERWISE SPECIFIED TOLERANCIAS POR OMISION	PRODUCT SPEC ESPEC PRODUCTO 103-22039	NAME TÍTULO AMPLIVAR SPLICE 5 SERRATIONS AMPLIVAR 5 RANURAS (3000-7000 CMA)
	0 PLC / LUG = 0 1 PLC / LUG = ±0.3 2 PLC / LUG = ±0.3 3 PLC / LUG = 0 4 PLC / LUG = 0 ANGLES / ANGULOS ±	APPLICATION SPEC ESPEC APLICACION 114-2008	SIZE TAMAÑO A3
MATERIAL THK 0.50 mm ESPESOR 0.50 mm	FINISH ACABADO SEE TABLE	WEIGHT PESO -	CAGE CODE CODIGO 00779
CUSTOMER DRAWING / PLANO DE CLIENTE		DRAWING NO PLANO NO C-42779	SCALE ESCALA 1:1
		SHEET HOJA 1 OF 1	REV J