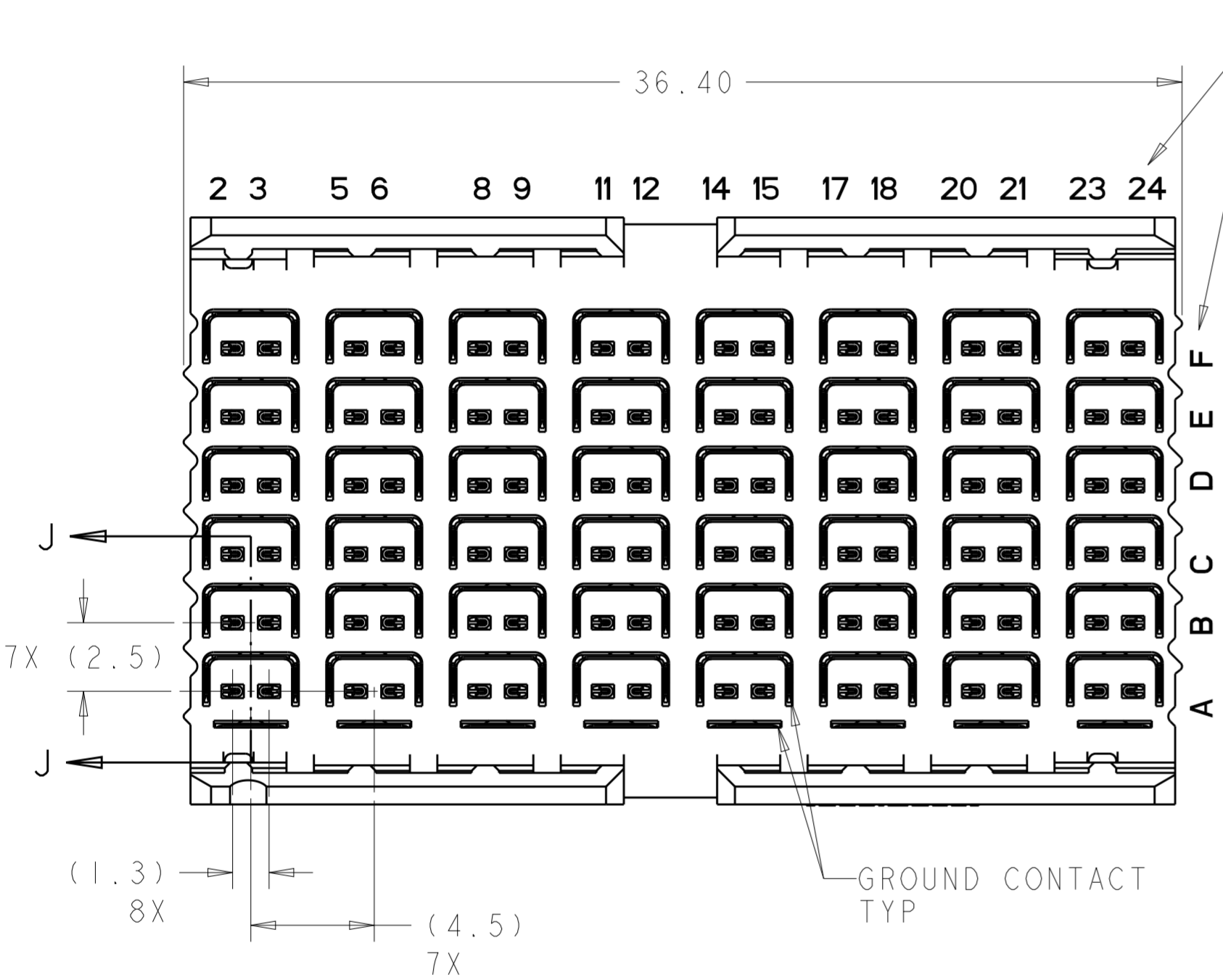
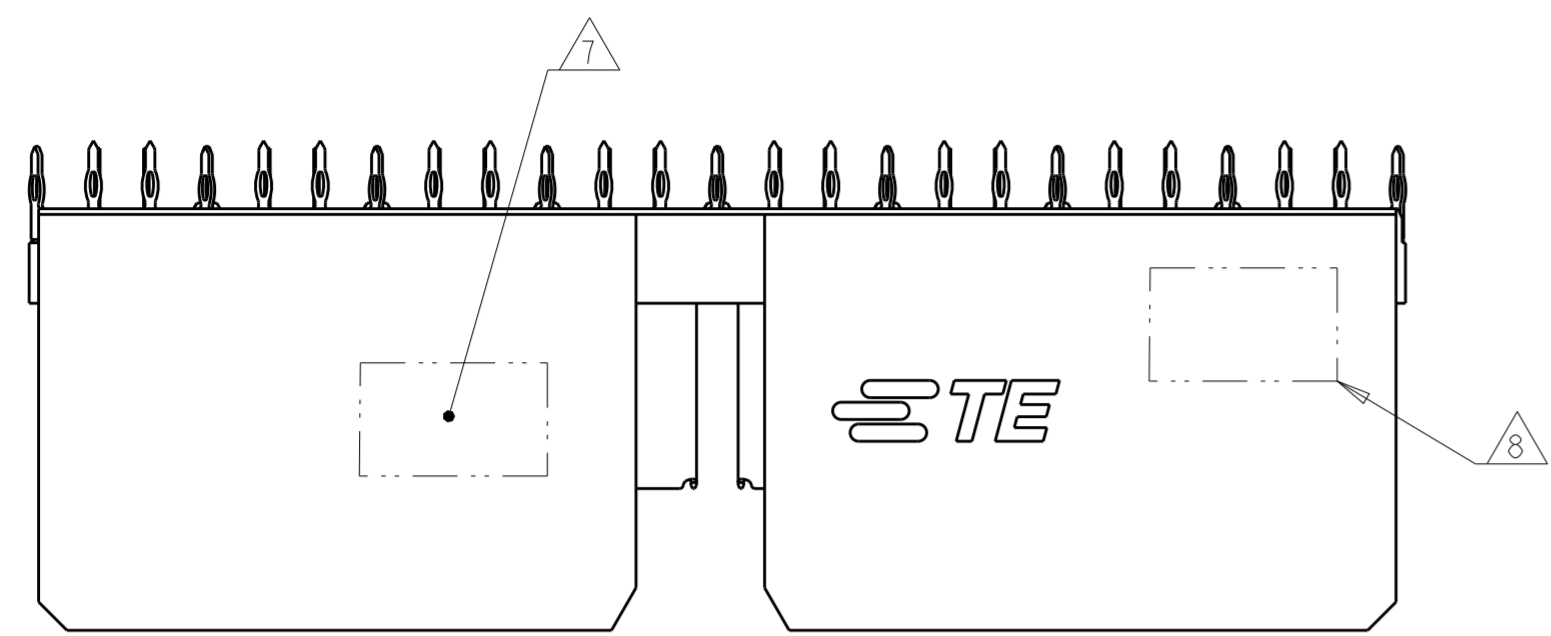
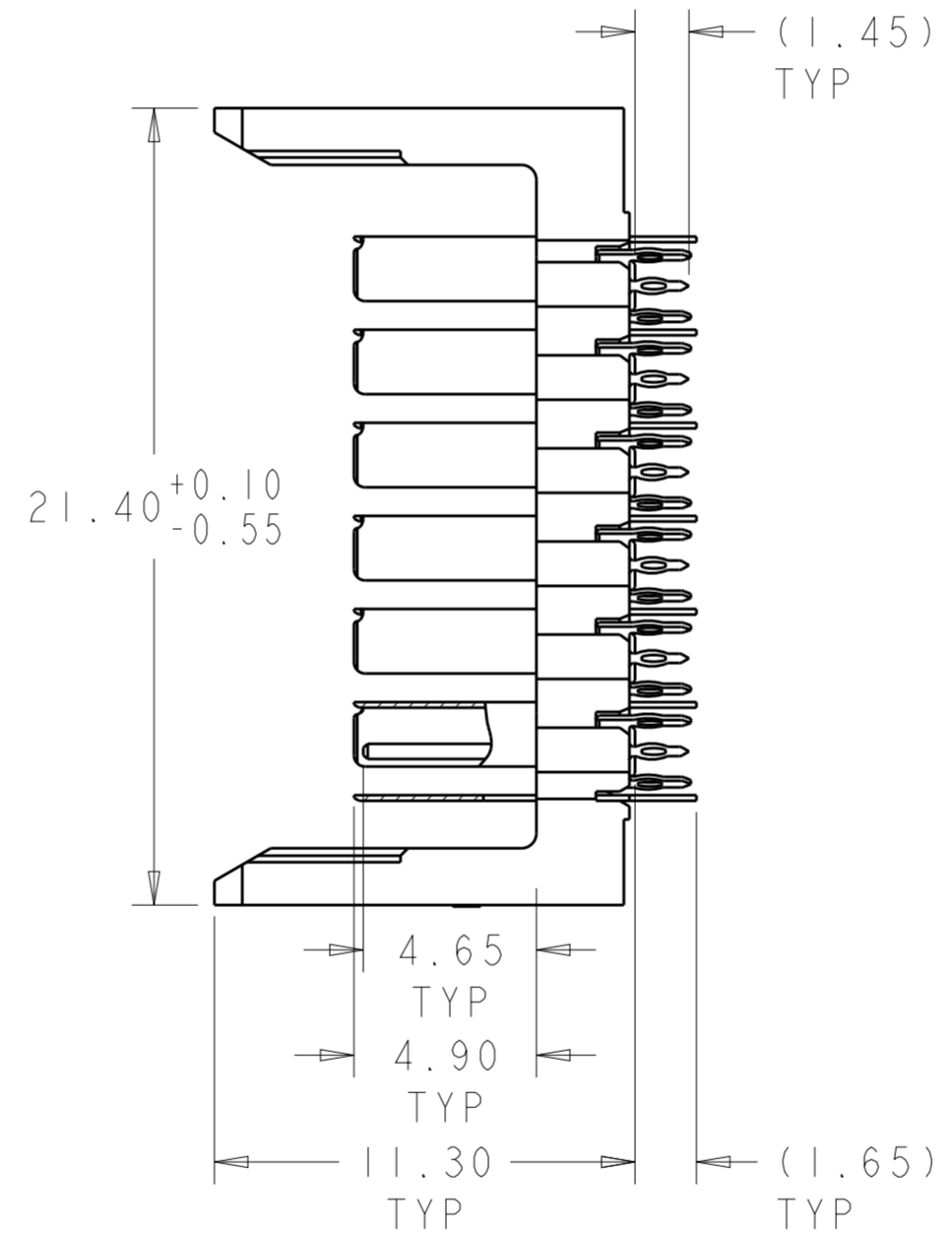


THIS DRAWING IS UNPUBLISHED. RELEASED FOR PUBLICATION 20
 © COPYRIGHT 20 TE CONNECTIVITY ALL RIGHTS RESERVED.

LOC	DIST	REVISIONS					
GP	00	P	LTR	DESCRIPTION	DATE	DWN	APVD
		A		INITIAL RELEASE	28OCT2013	J.G	C.Z
		B		UPDATED FHS ON NOTE 4	14NOV2013	J.G	C.Z
		C		REVISED PER ECO-17-006848	10MAY2017	JM	SS
		D		REVISED PER ECO-19-001409	01FEB2019	AP	RP

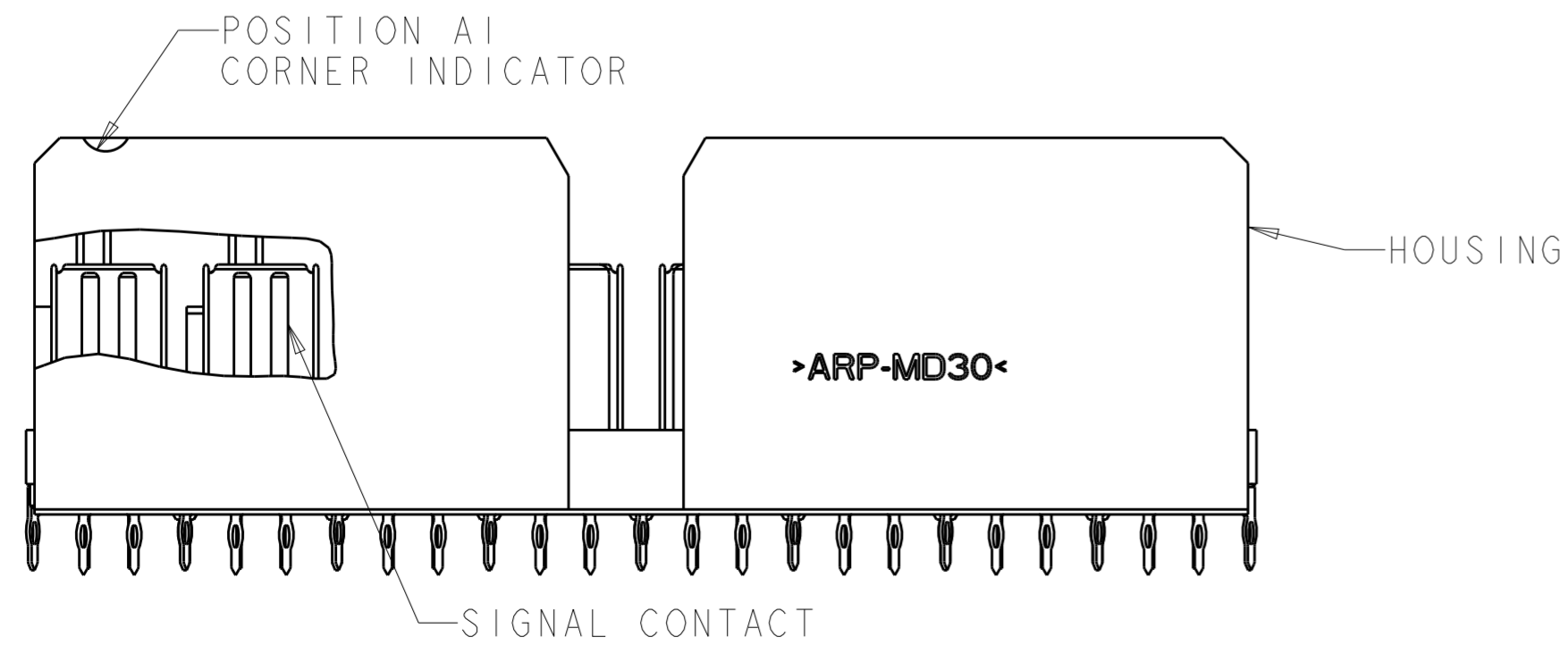


COLUMN NUMBER AND ROW LETTER (LOCATION SAME AS PCB LAYOUT PER SHEET 2)



SECTION J-J

- ① HOUSING: THERMOPLASTIC, UL 94V-0, BLACK. CONTACT: COPPER ALLOY.
- ② CONFORMS TO REQUIREMENTS OF TE PRODUCT SPEC 108-2413, BASED ON TELECORDIA GR-1217-CORE FOR SYSTEM QUALITY LEVEL III APPLICATIONS IN CONTROLLED ENVIRONMENTS (CENTRAL OFFICE).
- ③ CONSULT APPLICATION SPECIFICATION 114-13301.
- ④ PLATED THRU HOLE REQUIREMENTS:
 FINISHED HOLE = $\varnothing 0.344 \pm 0.046$ mm
 DRILLED HOLE BEFORE PLATING = $\varnothing 0.420 \sim 0.435$ mm
 COPPER THICKNESS = 0.042mm REF
- ⑤ PLATED THRU HOLE DIMENSIONS APPLY TO 1.00mm DEPTH FROM MOUNT SIDE OF BOARD.
- ⑥ HOLE POSITION TOLERANCE APPLIES WITHIN PATTERN FOR CONNECTOR PATTERN TO CONNECTOR PATTERN, A 0.12M POSITION TOLERANCE APPLIES.
- ⑦ CONNECTOR MARKED WITH PART NUMBER, DATE CODE, AND OPTIONAL MANUFACTURING LOCATION IDENTIFICATION CODE IN APPROXIMATE AREA SHOWN.
- ⑧ CONNECTOR MARKED WITH 2D BARCODE IN APPROXIMATE AREA SHOWN.



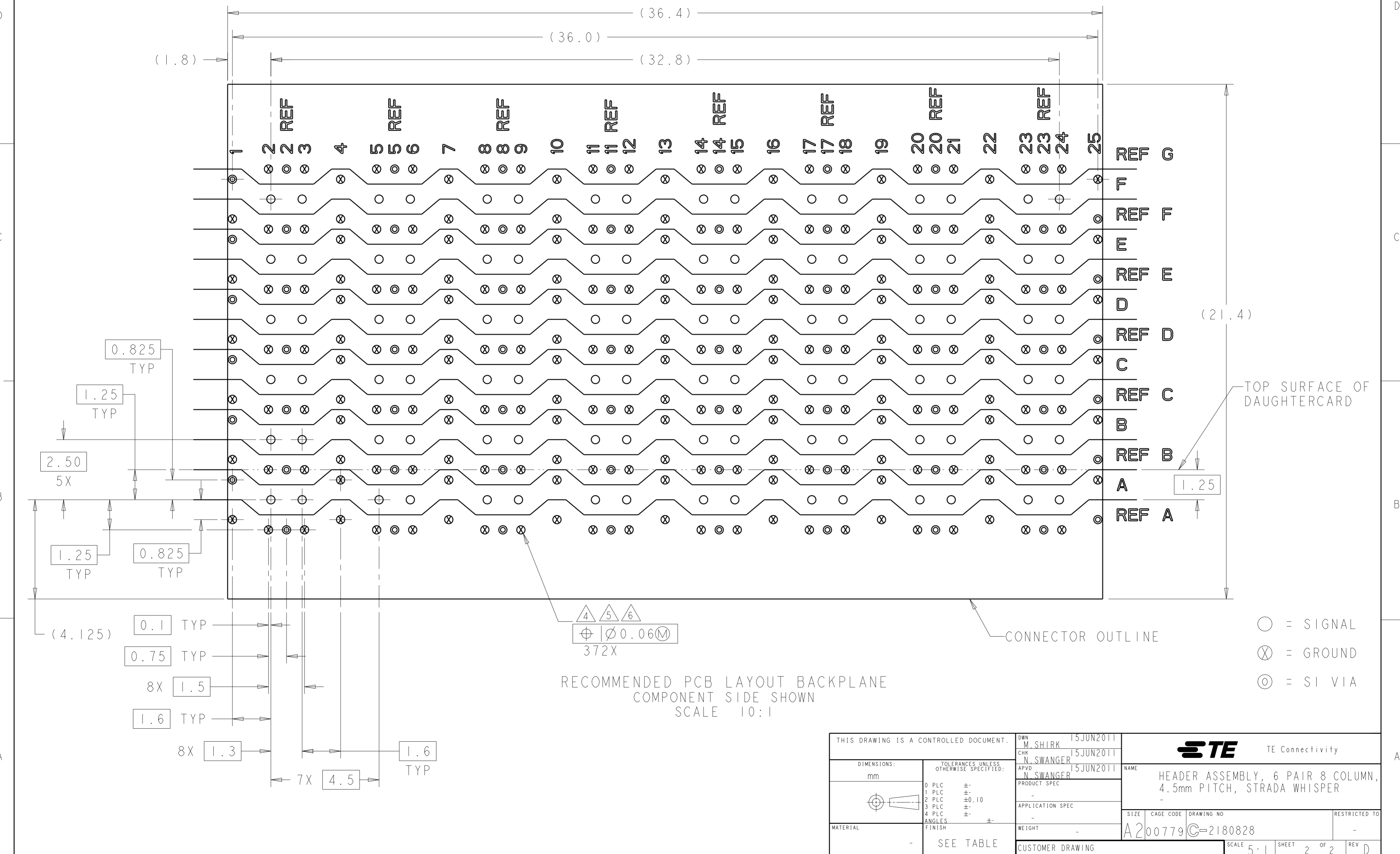
96	TIN	2180828-2
96	TIN-LEAD	2180828-1
SIGNAL CONTACT QTY REF	PRESS FIT TAIL PLATING	PART NO

THIS DRAWING IS A CONTROLLED DOCUMENT.

DIMENSIONS: mm	TOLERANCES UNLESS OTHERWISE SPECIFIED:	DWN M. SHIRK 15JUN2011	TE Connectivity NAME: HEADER ASSEMBLY, 6 PAIR 8 COLUMN, 4.5mm PITCH, STRADA WHISPER SIZE: A2 CAGE CODE: 00779 DRAWING NO: C-2180828 RESTRICTED TO: -
0 PLC ±	1 PLC ±	CHK N. SWANGER 15JUN2011	
2 PLC ±0.10	3 PLC ±	APVD N. SWANGER 15JUN2011	
4 PLC ±	ANGLES ±	PRODUCT SPEC ②	
MATERIAL ① -	FINISH	APPLICATION SPEC ③	WEIGHT -
SEE TABLE		CUSTOMER DRAWING	SCALE 5:1 SHEET 1 OF 2 REV D

THIS DRAWING IS UNPUBLISHED. RELEASED FOR PUBLICATION 20
 © COPYRIGHT 20 TE CONNECTIVITY ALL RIGHTS RESERVED.

LOC	DIST	REVISIONS					
GP	00	P	LTR	DESCRIPTION	DATE	DWN	APVD
		-		SEE SHEET 1			



TOP SURFACE OF DAUGHTERCARD

CONNECTOR OUTLINE

- = SIGNAL
- ⊗ = GROUND
- ⊙ = SI VIA

RECOMMENDED PCB LAYOUT BACKPLANE
 COMPONENT SIDE SHOWN
 SCALE 10:1

THIS DRAWING IS A CONTROLLED DOCUMENT.		DWN M. SHIRK 15JUN2011	TE Connectivity
DIMENSIONS: mm		CHK N. SWANGER 15JUN2011	
TOLERANCES UNLESS OTHERWISE SPECIFIED:		APVD N. SWANGER 15JUN2011	
0 PLC ±	1 PLC ±	PRODUCT SPEC	NAME
2 PLC ±0.10	3 PLC ±	APPLICATION SPEC	HEADER ASSEMBLY, 6 PAIR 8 COLUMN, 4.5mm PITCH, STRADA WHISPER
4 PLC ±	ANGLES ±	WEIGHT	SIZE CAGE CODE DRAWING NO RESTRICTED TO
MATERIAL	FINISH	CUSTOMER DRAWING	A200779 C-2180828
SEE TABLE		SCALE 5:1	SHEET 2 OF 2 REV D