

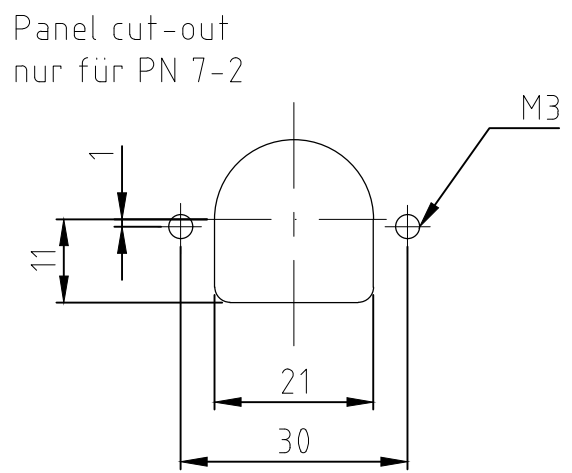
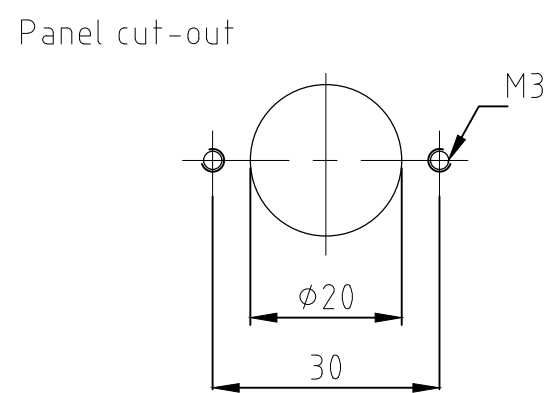
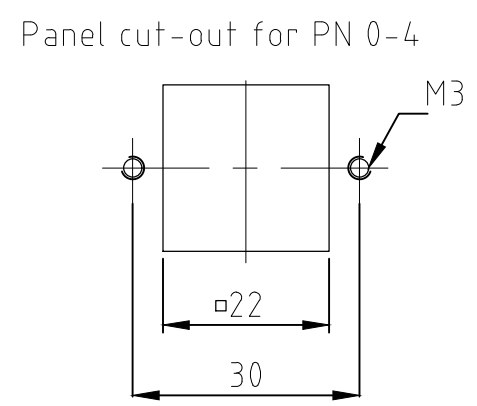
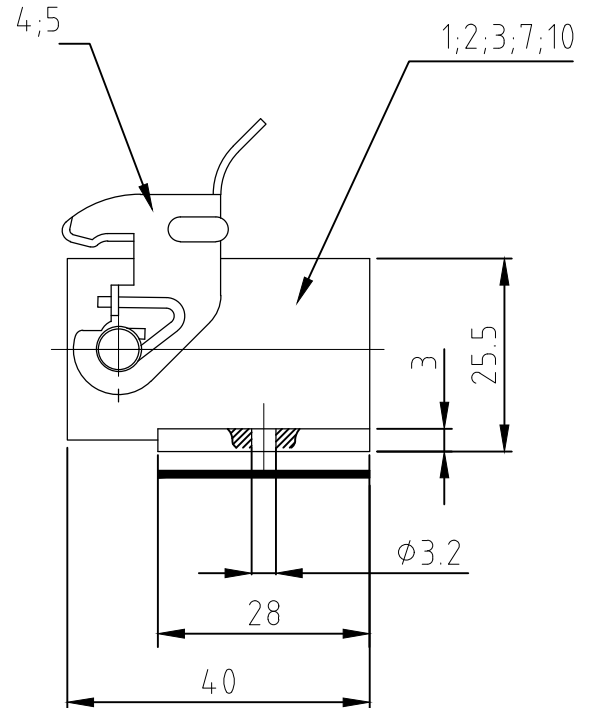
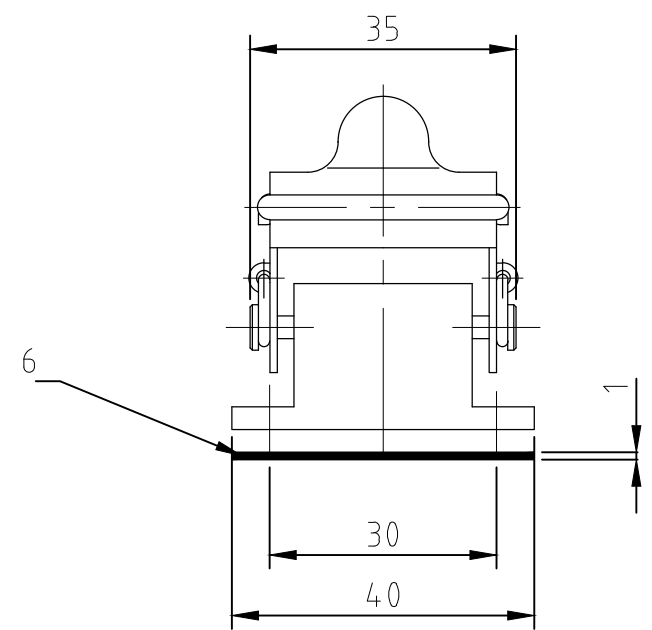
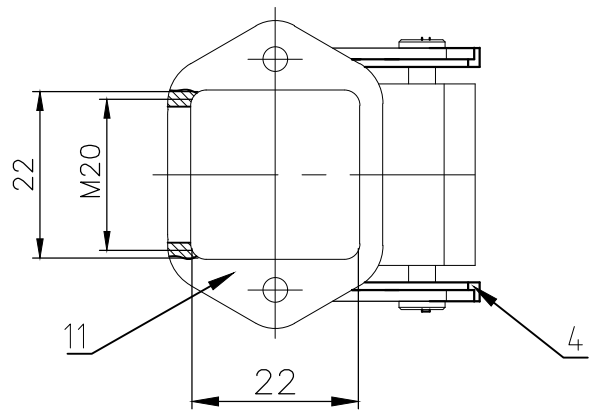
THIS DRAWING IS UNPUBLISHED.  
 VERTRAULICHE UNVERÖFFENTLICHTE ZEICHNUNG

RELEASED FOR PUBLICATION  
 FREI FUER VERÖFFENTLICHUNG

REVISIONS  
 AENDERUNGEN

P	LTR	DESCRIPTION BESCHREIBUNG	DATE	DWN	APVD
	A9	REVISED PER ECR-17-013084	02APR18	NG	MKO

- NOTES:
- 1 Material: zink diecast  
Seals: NEOPRENE
  - 2 SURFACE: HAMMER SCALES VARNISH  
OR POWDER COATED  
CORROSION PROTECTION
  - 3 PACKAGING:  
PACKAGING QUANTITY: 5 PIECES
  - 4 SPECIAL PACKAGING: Krauss-Maffei  
PACKAGING UNIT: 100 PIECES IN Krauss-Maffei-Box



ITEM NO. POS.	NOTES	COLOR	SURFACE	MATERIAL	DESCRIPTION
11		grey		zinc diecast	surface mounted housing side and bottom entry
10		without varnish	blue passivation	zinc diecast	surface mounted housing bottom entry
9		blue		steel	Bügelbolzen/clip bolt
8		grey		zinc diecast	surface mounted housing bottom entry
7		alufarbig		zinc diecast	surface mounted housing bottom entry
6		black		Neoprene	Flanschdichtung/flanged seal
5			blank	stainless steel	side clip
4		blue	zink plated	steel	side clip
3		without varnish			surface mounted housing bottom entry
2		black			surface mounted housing bottom entry
1		grey		zinc diecast	surface mounted housing bottom entry

ORDERING TEXT / BESTELLTEXT HA.3.AGW-LB.22x22.1.M20-B HA.3.AGW-LB.KM HA-EMV-K.3.AGW-LB HA.3.AGW-LB-SO HA.3.AGW-SO HA-K.3.AGW-LB-SO HA.3.AGW-LB-SO HA-K.3.AGW-LB HA.3.AGW-LB	THIS DRAWING IS A CONTROLLED DOCUMENT. DIESE ZEICHNUNG IST EIN KONTROLLIERTES DOKUMENT.	DWN 03.11.1999 <b>Schneider</b> CHK 03.11.1999 <b>M Schweiger</b>	TE Connectivity
	DIMENSIONS: MASSENHEITEN: mm 	TOLERANCES UNLESS OTHERWISE SPECIFIED: ALLGEMEINTOLERANZEN 0 PLC ± - 1 PLC ± - 2 PLC ± - 3 PLC ± - 4 PLC ± - ANGLES / WINKEL ± - FINISH/OBERFLAECHE/FARBE	
MATERIAL		WEIGHT GEWICHT	SIZE <b>A3</b> CAGE CODE <b>00779</b> DRAWING NO ZEICHNUNGS-NR. <b>G-1102107</b> RESTRICTED TO NUR FUER -
CUSTOMER DRAWING/KUNDENZEICHNUNG			SCALE MASSTAB <b>1:1</b> SHEET BLATT <b>1</b> OF VON <b>1</b> REV <b>A9</b>